

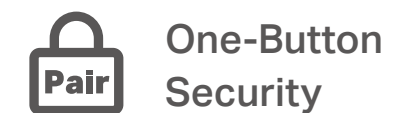
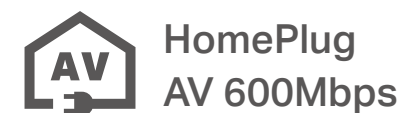


AV600 Passthrough Powerline Starter Kit

Smooth HD Streaming
in Every Room



TL-PA4010P KIT



Highlights

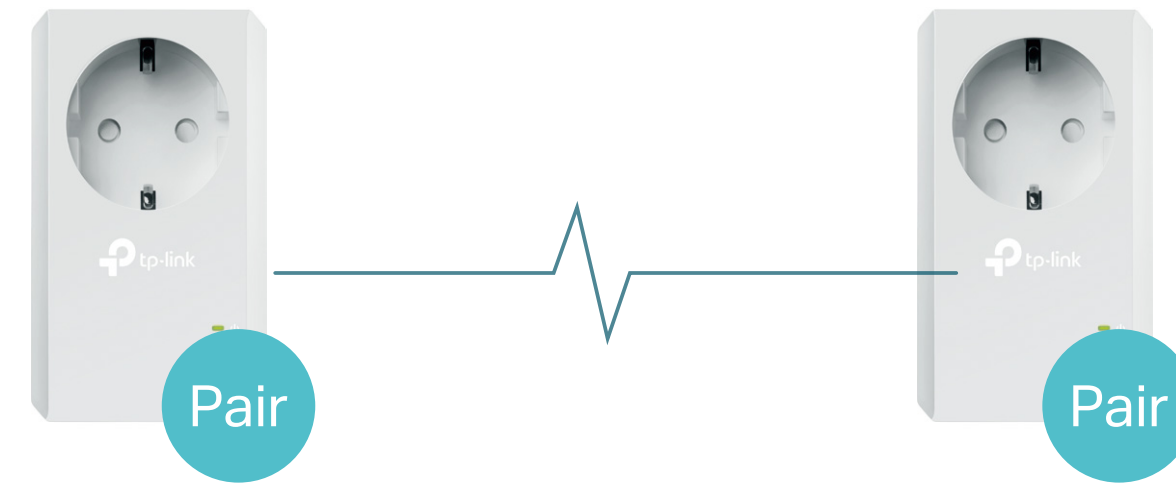
HomePlug AV Standard Compliant

The HomePlug AV standard creates high-speed data transfer rates of up to 600Mbps to support all your online activities.



One-Button Security

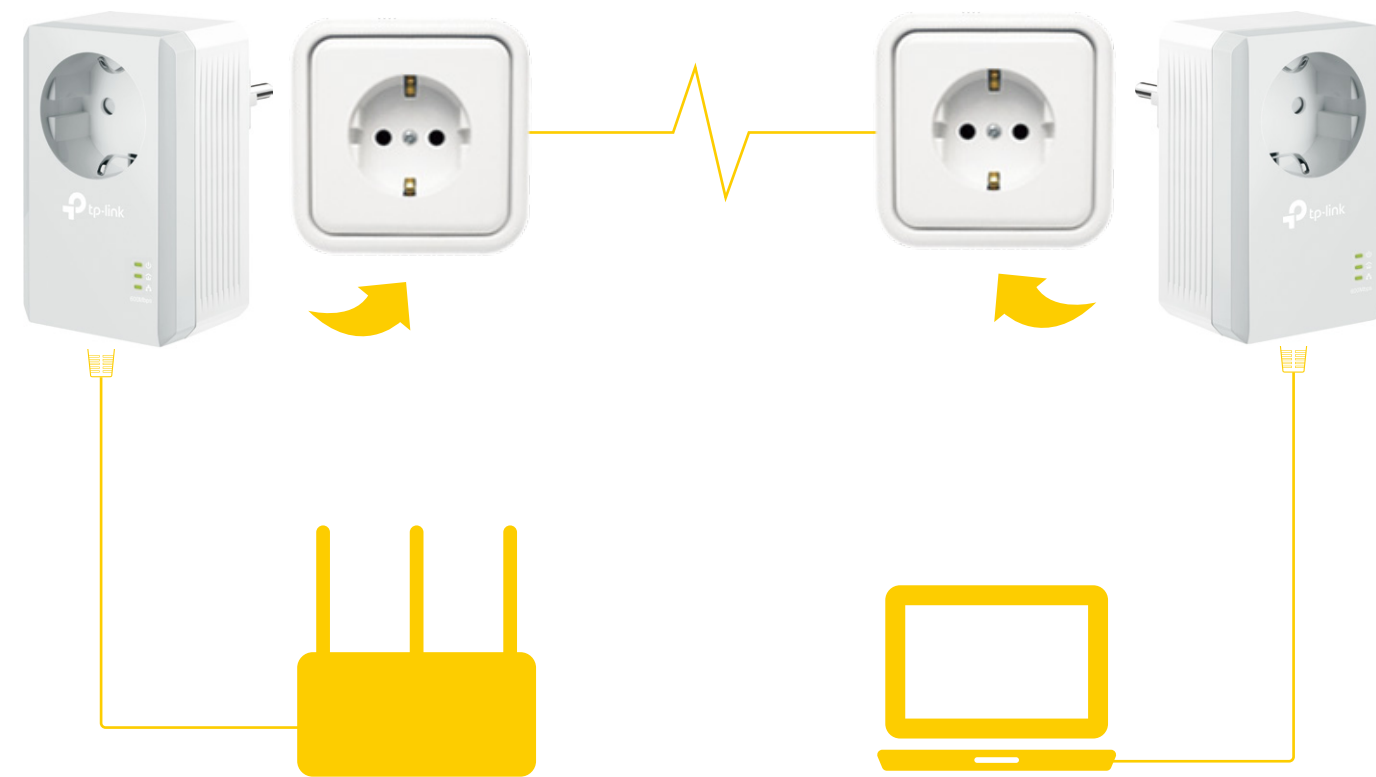
Simply push the Pair button on the adapters, and quickly set up a hassle-free powerline network.



Highlights

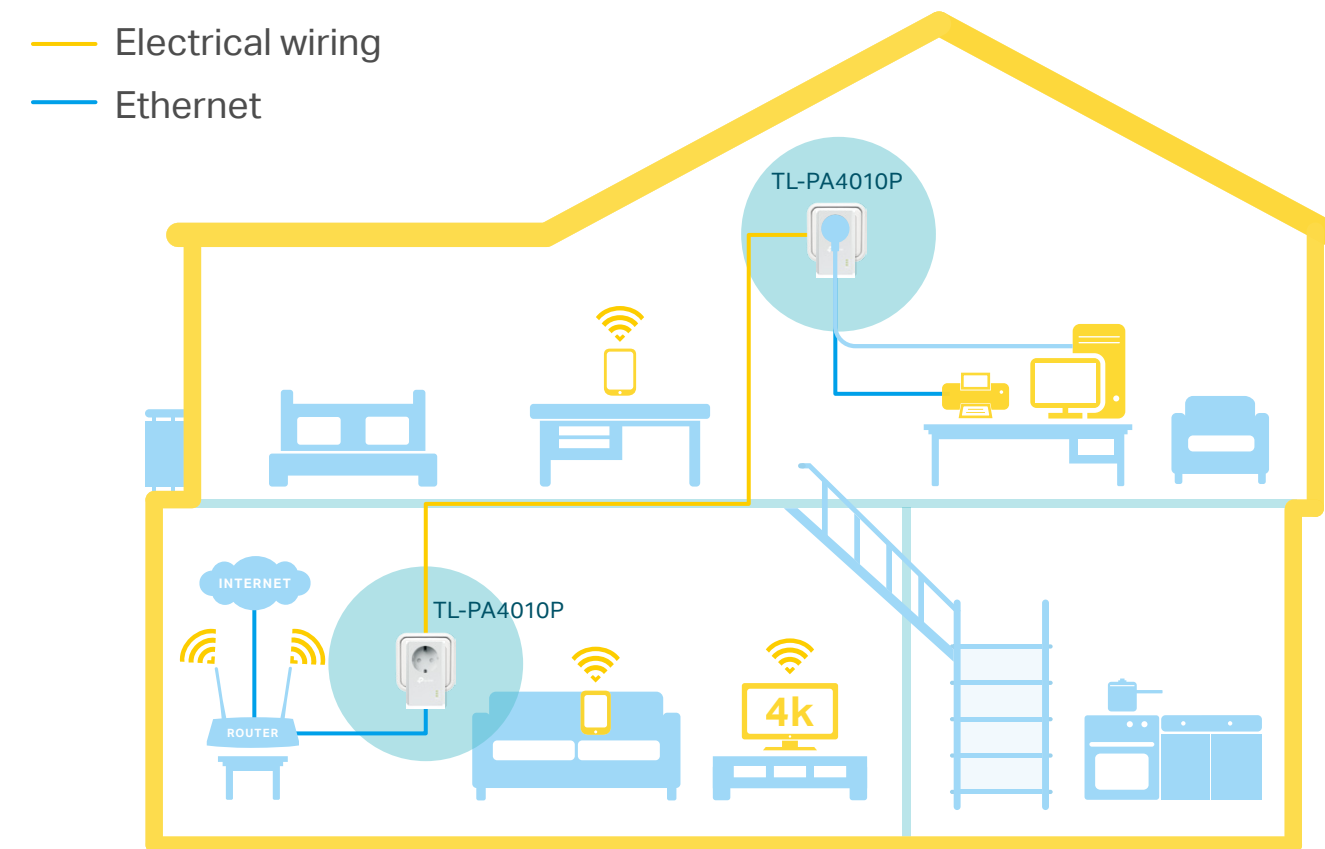
Plug, Pair and Play!

Powerline adapters and extenders must be deployed in a set of two or more.



Internet from Any Outlet

The AV600 Passthrough Powerline Starter Kit brings internet to any area with a power outlet using your home's electrical wiring.



Features

Speed

- Ultra-fast Powerline Speed – HomePlug AV standard compliant, high-speed data transfer rate of up to 600Mbps, ideal for Ultra HD streaming and online gaming
- Ethernet Port – The Ethernet port allows your TV, game console or PC to connect to the internet at high speeds

Ease of Use

- Plug, pair and play – Plug, pair and play, no configuration required
- No new wires – No new wires, use existing electrical wiring to expand your home network
- Keep your outlet – An integrated socket lets you power regular devices as normal, and a built-in noise filter prevents them from interrupting the powerline signal.
- TP-Link tpPLC – Allows you to easily manage your network using the tpPLC Utility

Range

- 300 meters Range – Up to 300 meters / 1000 feet range over the existing household power circuit.

Security

- Pair Button – 128-bit AES encryption easily at a push of the "Pair" button

Reliability

- Mains Filter – Mains Filter inside the outlet reduces electrical noise interference and improves powerline communication performance

Energy Saving

- Power Saving – Power Saving Mode helps reducing power consumption by up to 85%

Specifications

Hardware

- Plug Type: EU
- Standards and Protocols: HomePlug AV, IEEE 1901, IEEE 802.3, IEEE 802.3u
- Power Consumption: Maximum: 2.60W
Typical: 2.30W
Standby: 0.50W
- Range: 300 Meters over electrical circuit
- Interface: Ethernet Port, Power Socket
- Button: Pair Button
- LED Indicator: Power, Powerline, Ethernet
- Dimensions (W x D x H): 3.7 x 2.3 x 1.7 in (95 x 58 x 42 mm)



For more information, please visit

<http://www.tp-link.com/en/products/details/TL-PA4010PKIT.html>

or scan the QR code left

* Compatible with all HomePlug AV & AV2 Standard Powerline adapters.

* Listed HomePlug AV speeds refer to the theoretical maximum physical-layer data transfer rate. Actual data speeds vary and are influenced by the home's Wi-Fi/electrical/physical environment, and if adapters are placed on the same home circuit.

Specifications are subject to change without notice. TP-Link is a registered trademark of TP-Link Technologies Co., Ltd. Other brands and product names are trademarks or registered trademarks of their respective holders. Copyright ©2016 TP-Link Technologies Co., Ltd. All rights reserved.

Software

- Modulation Technology: OFDM (PLC)
- Encryption: Powerline Security: 128-bit AES

Others

- Certification: CE, RoHS
- Package Contents:
 - AV600 Passthrough Powerline Adapter 2 * TL-PA4010P
 - 2 * Ethernet Cable
 - Quick Installation Guide
- System Requirements:
 - Windows 2000/XP/2003/Vista, Windows 7/8/8.1/10, Mac, Linux
- System Requirements for tpPLC Utility:
 - Windows 10/8.1/8/7/Vista/XP and Mac OS X (10.7 or later)
- Environment:
 - Operating Temperature: 0°C~40°C (32°F ~104°F)
 - Storage Temperature: -40°C~70°C (-40°F ~158°F)
 - Operating Humidity: 10%~90% non-condensing
 - Storage Humidity: 5%~90% non-condensing

www.tp-link.com

TP-Link AV600 Passthrough Powerline Starter Kit TL-PA4010P KIT