

30 cm (12") Bass-Reflex Subwoofer

1,300 W MAX.



### Key Selling Point

- High power and loud sound are achieved by incorporating a long voice coil and large magnetic circuit.
- Instantly installable — there's no need to make an enclosure for the subwoofer.

### Main Specifications

Max. Music Power	1300 W
Nominal Music Power	350 W
Frequency Response	20 Hz to 125 Hz
Sensitivity	94dB
Impedance	4Ω
Size	30cm

**IMPP Composite Seamless Cone**

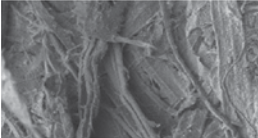
An extremely rigid yet lightweight cone is vital to prevent cone failure at high sound pressure levels. Pioneer's IMPP Composite Seamless Cones meet this need perfectly.

**Urethane Rolled Edge with High Compliance**

**Cone Body with Blended Fiber**

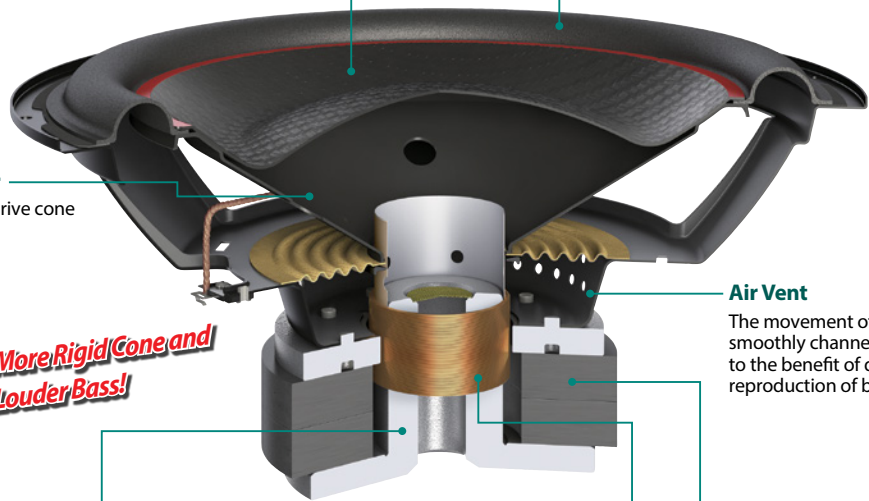
The fiber material blended into the drive cone improves sound response.

**Microscopic View**



Cone body with fiber

*More Rigid Cone and Louder Bass!*



**Air Vent**

The movement of air within the subwoofer is smoothly channeled for optimal ventilation to the benefit of quick response and clear reproduction of bass.

**Long Voice Coil with Enlarged Wire Diameter and Aluminum Bobbin**

Use of thick magnetic wire and an aluminum bobbin ensures excellent durability to withstand high input power.

**Large and Projected Yoke Pole**

Extending the yoke pole of the upper part to the upper side maintains symmetry of vertical cone motion, for sound reproduction of great linearity and accuracy.

**Double Stacked High Energy Magnets**

With two large magnets, the cone can be driven at high power.

Previous Model		Bass-Reflex Subwoofer
	<b>Bigger Pole</b>	
	<b>Thicker Plate</b>	
	<b>Thicker Wire Gauge &amp; Wider Wind Width</b>	
	<b>Bigger Magnet</b>	

*Louder Bass and More Accurate Sound!*

**Dimension**

**Installable in Less Space than Previous Subwoofer (TS-WX306B)**

Producing high-power sound from an even shallower enclosure depth for easier installation.

TS-WX310	TS-WX305B
192	148

**23% Shallower**

**Easy Installation!**

For more information please visit [www.pioneer-mea.com](http://www.pioneer-mea.com)

Year of Release: 2017

Pioneer, Gulf Free Zone Dubai, U.A.E.  
Tel: +971 4 8815756, Fax 8816414  
Email: support@pioneer-uae.com  
[www.pioneer-mea.com](http://www.pioneer-mea.com)

Corporate web : [www.pioneer.jp](http://www.pioneer.jp)

Copyright Info: ©2016 Pioneer MEA. All Rights Reserved. Reproduction in whole or in part without written permission is prohibited. Design, Features and Specifications are subject to change without notice.

