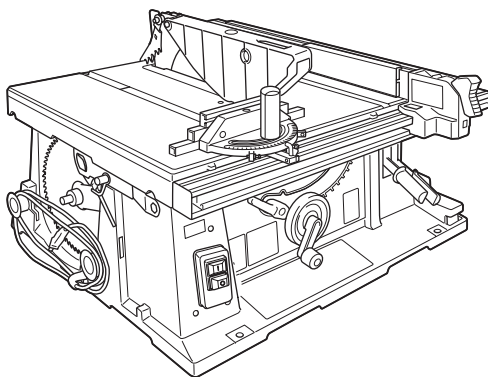
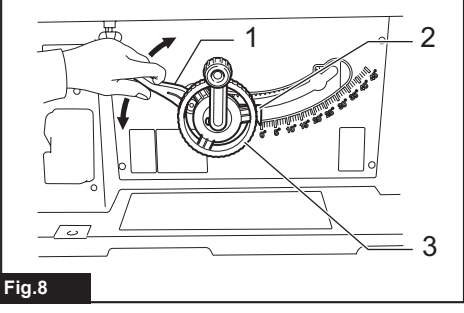
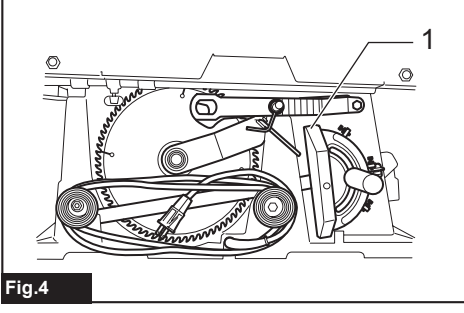
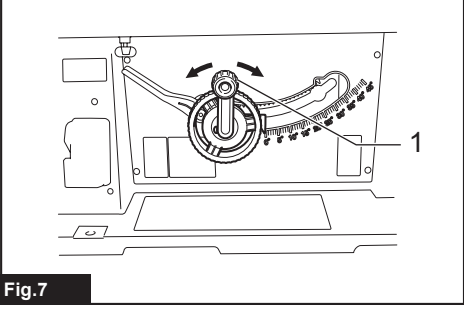
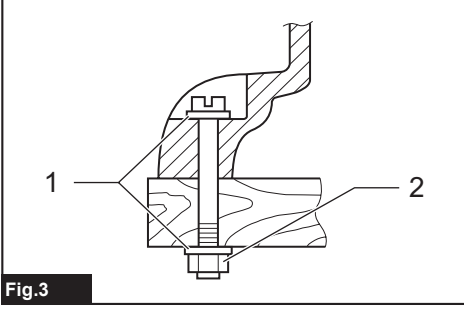
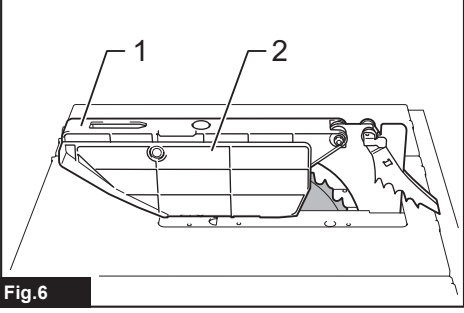
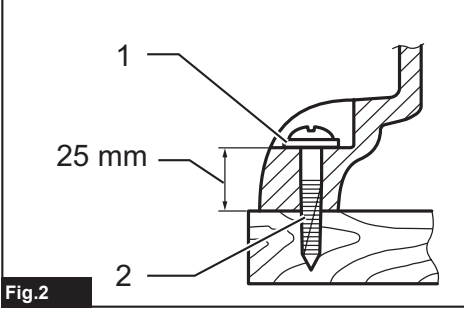
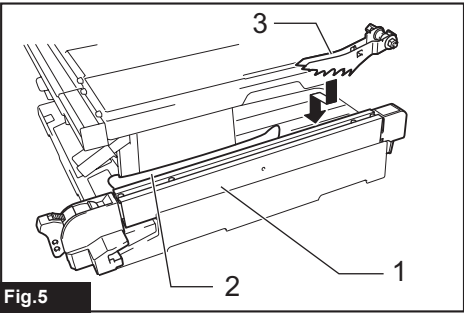
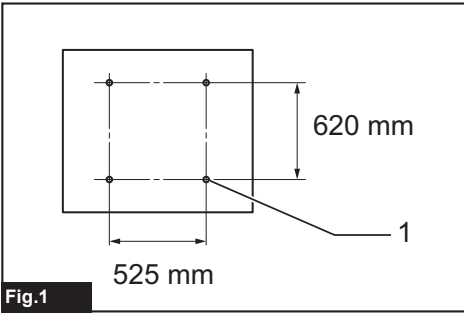


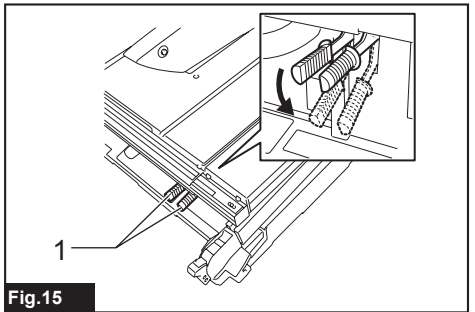
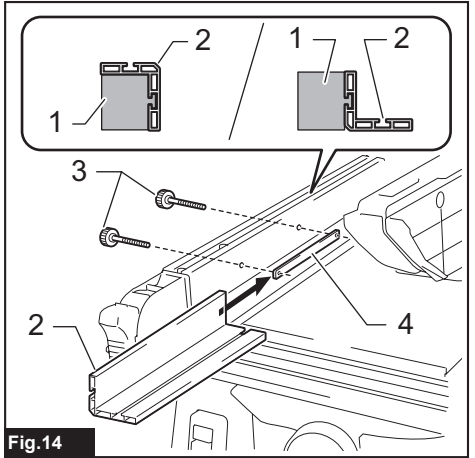
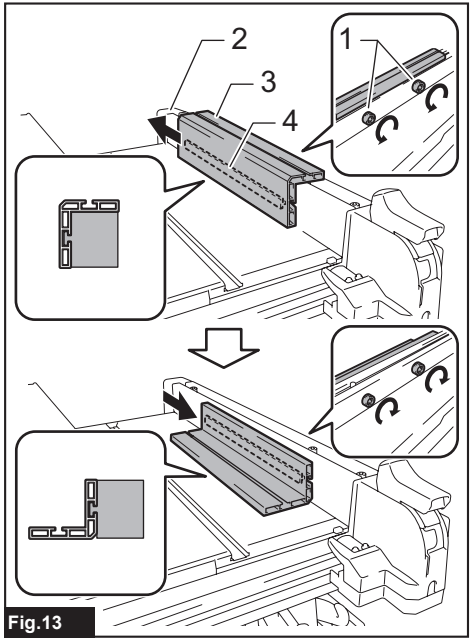
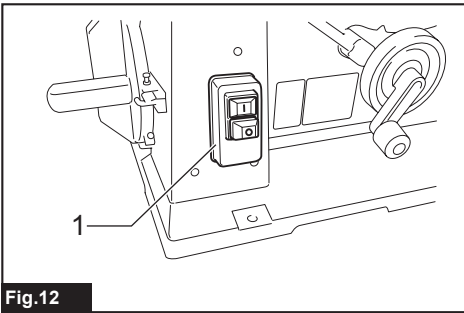
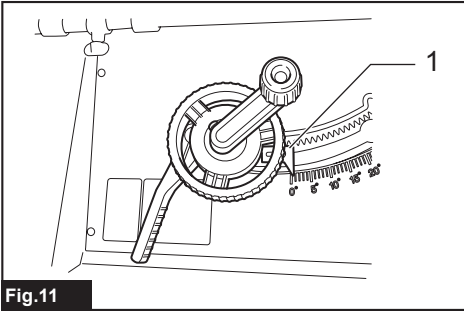
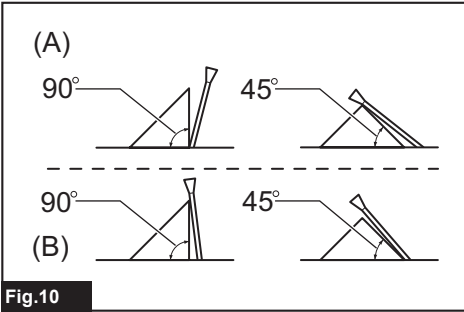
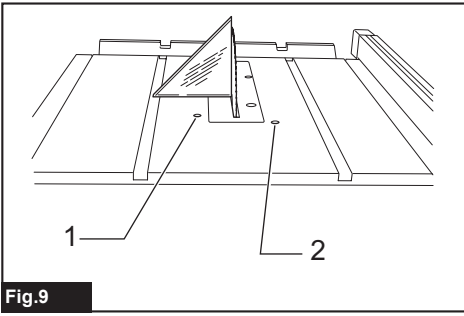


EN	Table Saw	INSTRUCTION MANUAL	9
PL	STOŁOWA PILARKA TARCZOWA	INSTRUKCJA OBSŁUGI	18
HU	Asztali fűrész	HASZNÁLATI KÉZIKÖNYV	28
SK	Stolová píla	NÁVOD NA OBSLUHU	37
CS	Stolní okružní píla	NÁVOD K OBSLUZE	46
UK	Настільний розпилювальний верстат	ІНСТРУКЦІЯ З ЕКСПЛУАТАЦІЇ	55
RO	Ferăstrău de masă	MANUAL DE INSTRUCȚIUNI	65
DE	Tischkreissäge	BETRIEBSANLEITUNG	74

2704N







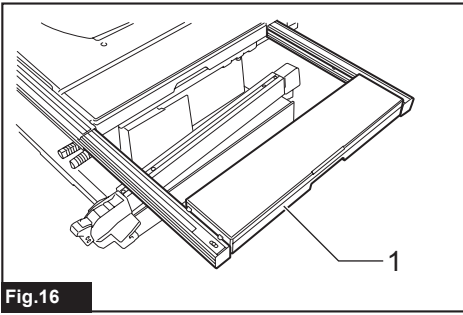


Fig.16

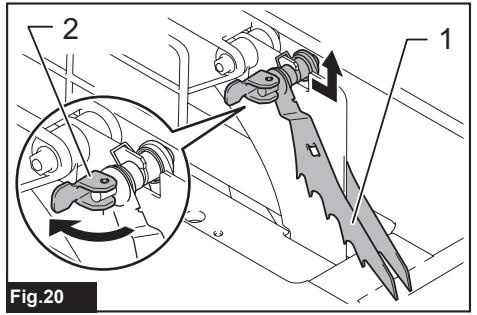


Fig.20

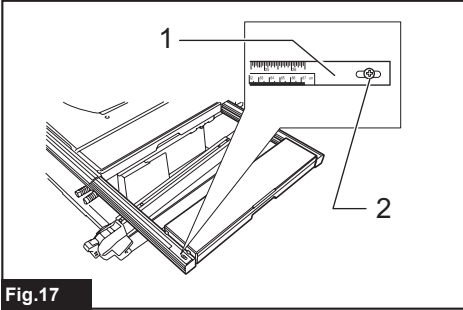


Fig.17

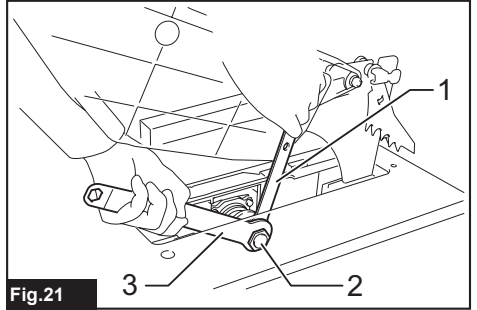


Fig.21

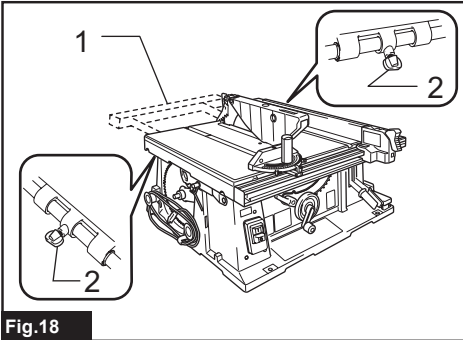


Fig.18

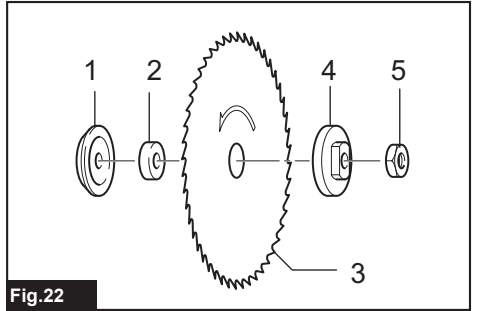


Fig.22

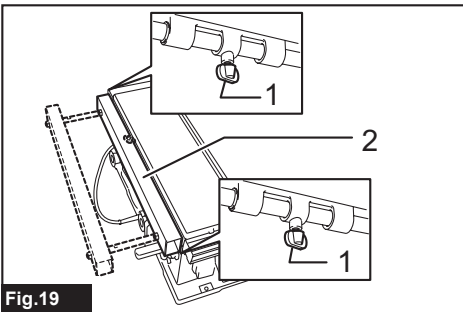


Fig.19

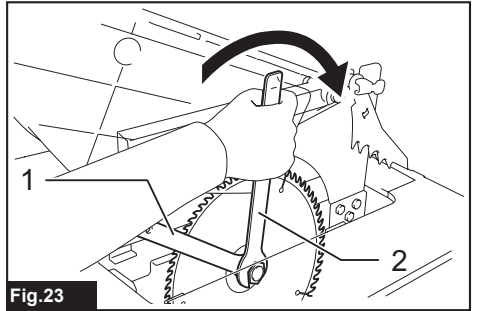


Fig.23

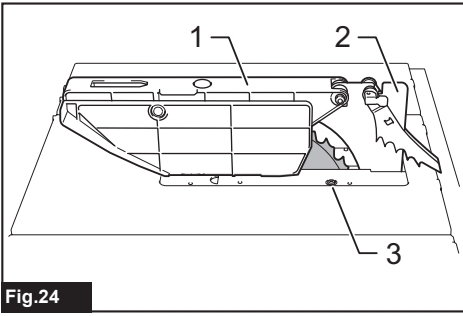


Fig.24

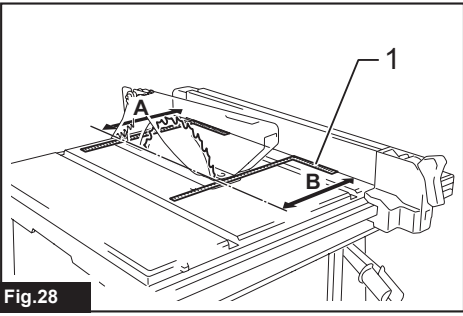


Fig.28

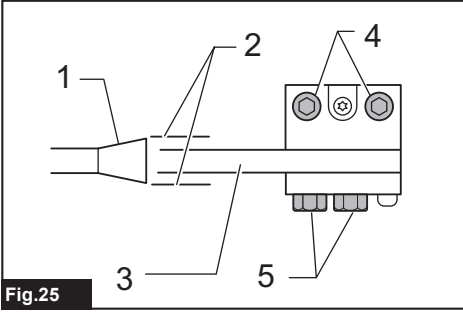


Fig.25

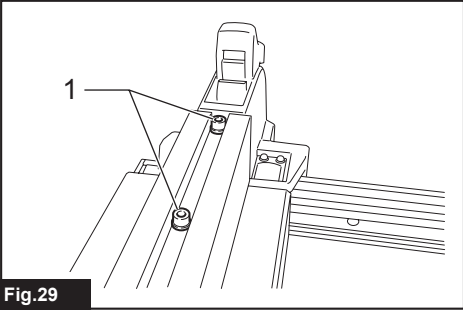


Fig.29

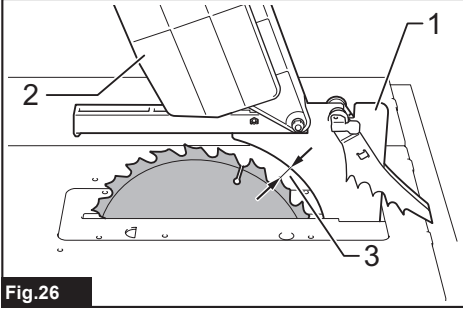


Fig.26

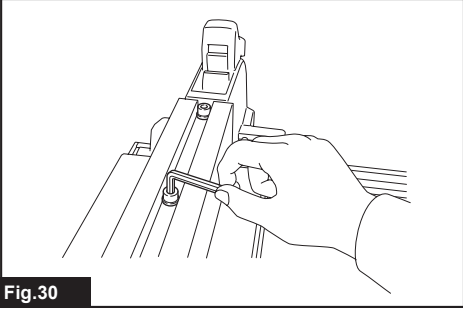


Fig.30

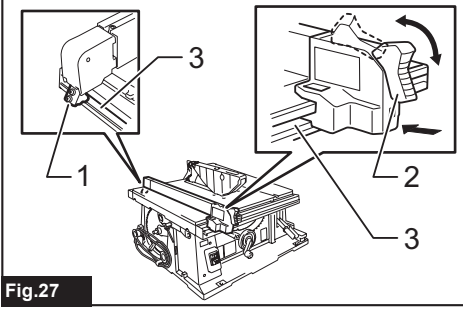


Fig.27

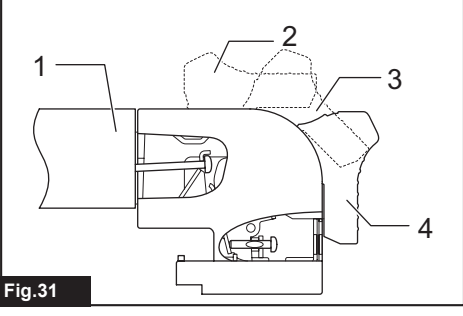


Fig.31

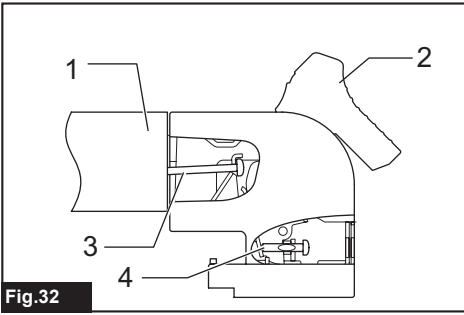


Fig.32

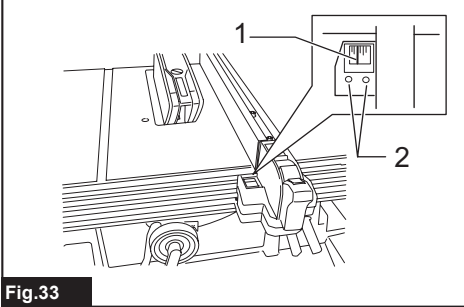


Fig.33

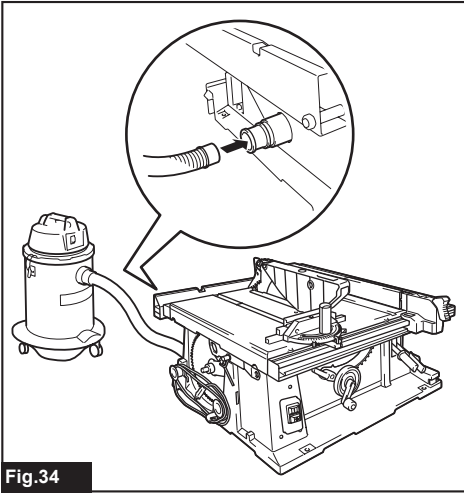


Fig.34

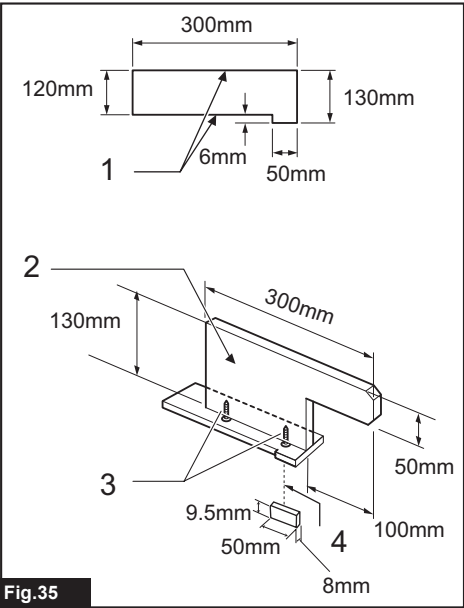


Fig.35

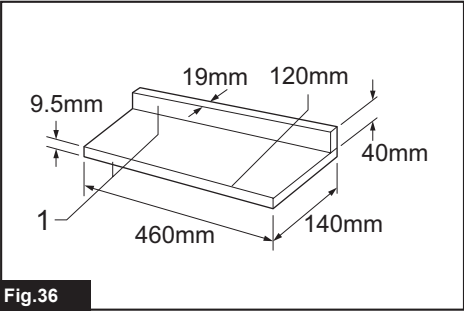


Fig.36

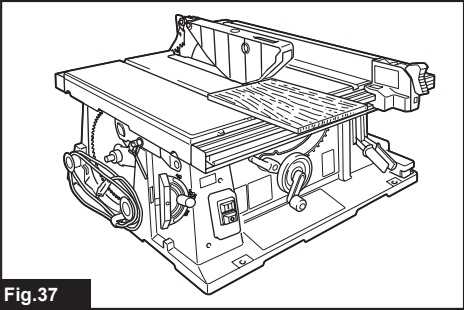


Fig.37

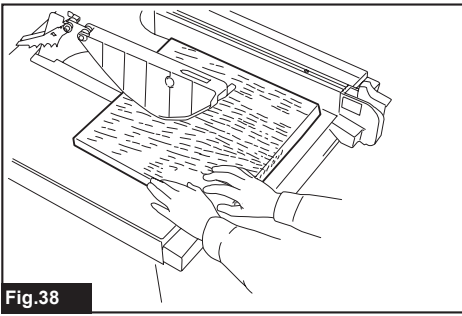


Fig.38

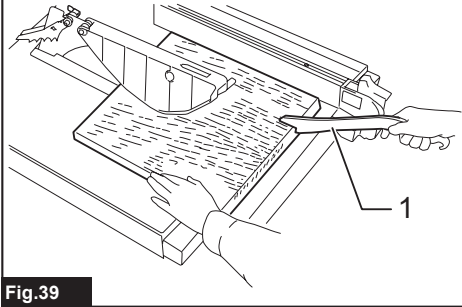


Fig.39

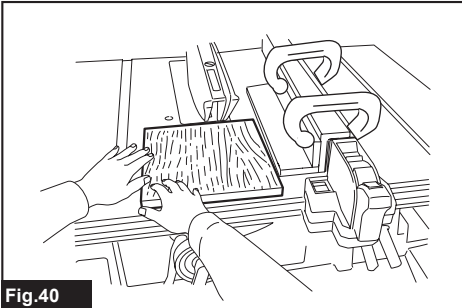


Fig.40

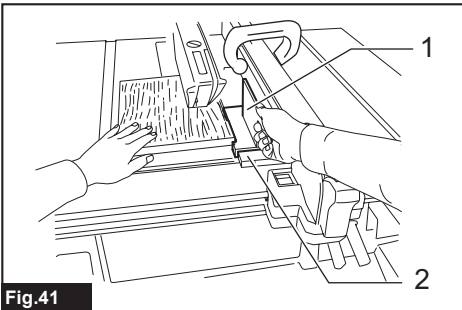


Fig.41

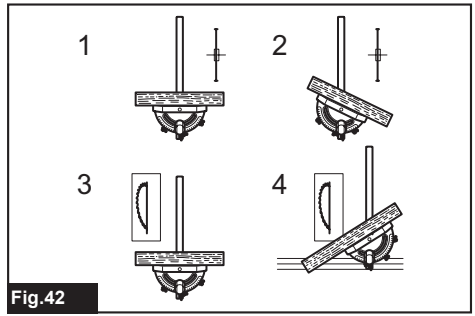


Fig.42

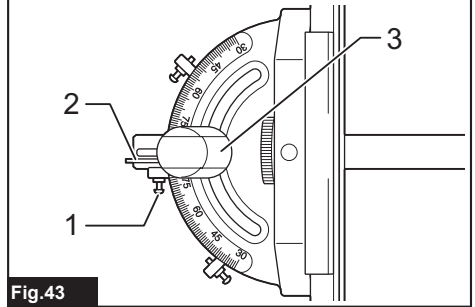


Fig.43

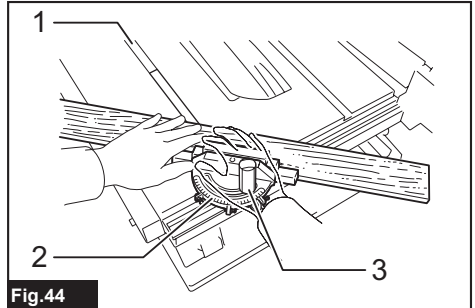


Fig.44

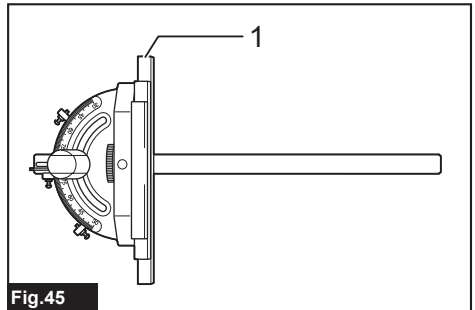


Fig.45

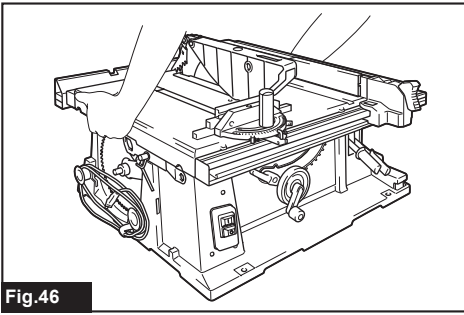


Fig.46

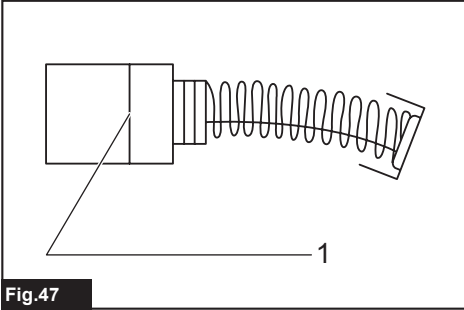


Fig.47

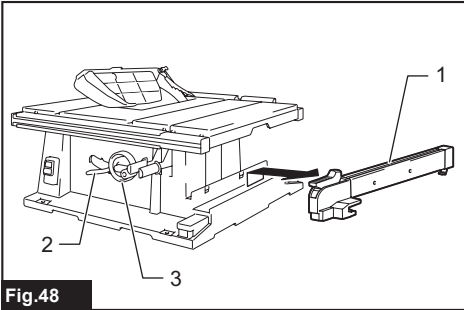


Fig.48

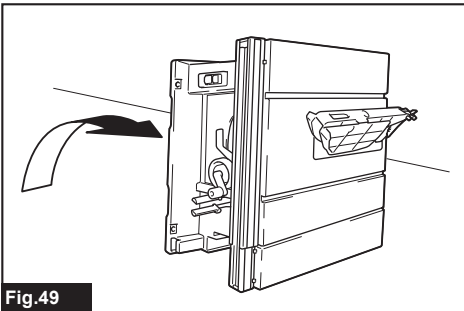


Fig.49

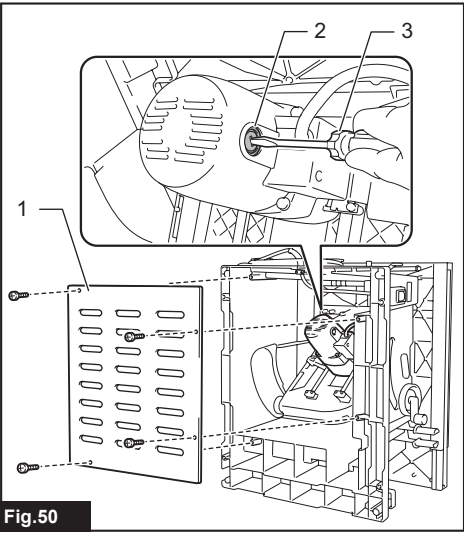


Fig.50




SPECIFICATIONS

Model:		2704N
Arbor hole (Country specific)		30 mm / 25.4 mm
Blade diameter		260 mm
Max. cutting capacities	bevel 0°	93 mm
	bevel 45°	64 mm
No load speed		5,200 min ⁻¹
Table size (L x W)	with sub tables (R) and (back)	1,045 mm x 1,066 mm (tables extended) 665 mm x 753 mm (tables stored)
	with sub table (R) without sub table (back)	567 mm x 1,066 mm (table extended) 567 mm x 753 mm (table stored)
Dimensions (L x W x H) with table(s) not extended	with sub tables (R) and (back)	715 mm x 753 mm x 483mm
	with sub table (R) without sub table (back)	665 mm x 753 mm x 483 mm
Net weight		35.2 kg - 37.0 kg
Safety class		□/II

- Due to our continuing program of research and development, the specifications herein are subject to change without notice.
- Specifications may differ from country to country.
- The weight may differ depending on the attachment(s). The lightest and heaviest combination, according to EPTA-Procedure 01/2014, are shown in the table.

Symbols

The following show the symbols used for the equipment. Be sure that you understand their meaning before use.

	Read instruction manual.
	DOUBLE INSULATION
 	Wear safety glasses.
 	Do not place hand or fingers close to the blade.
	Only for EU countries Do not dispose of electric equipment together with household waste material! In observance of the European Directive, on Waste Electric and Electronic Equipment and its implementation in accordance with national law, electric equipment that have reached the end of their life must be collected separately and returned to an environmentally compatible recycling facility.

Intended use

The tool is intended for cutting in wood. Straight cutting, bevel cutting, and miter cutting are available with this tool. This tool is not designed for non-through cutting.

Power supply

The tool should be connected only to a power supply of the same voltage as indicated on the nameplate, and can only be operated on single-phase AC supply. They are double-insulated and can, therefore, also be used from sockets without earth wire.

Noise

The typical A-weighted noise level determined according to EN62841:
Sound pressure level (L_{pA}) : 94 dB(A)
Sound power level (L_{WA}) : 107 dB (A)
Uncertainty (K) : 3 dB(A)

⚠ WARNING: Wear ear protection.

EC Declaration of Conformity

For European countries only

The EC declaration of conformity is included as Annex A to this instruction manual.

SAFETY WARNINGS

General power tool safety warnings

⚠ WARNING: Read all safety warnings, instructions, illustrations and specifications provided with this power tool. Failure to follow all instructions listed below may result in electric shock, fire and/or serious injury.

Save all warnings and instructions for future reference.

The term "power tool" in the warnings refers to your mains-operated (corded) power tool or battery-operated (cordless) power tool.

Safety instructions for table saws

Guarding related warnings

1. **Keep guards in place. Guards must be in working order and be properly mounted.** A guard that is loose, damaged, or is not functioning correctly must be repaired or replaced.
2. **Make sure the saw blade is not contacting the guard, riving knife or the workpiece before the switch is turned on.** Inadvertent contact of these items with the saw blade could cause a hazardous condition.
3. **Adjust the riving knife as described in this instruction manual.** Incorrect spacing, positioning and alignment can make the riving knife ineffective in reducing the likelihood of kickback.
4. **For the riving knife and anti-kickback pawls to work, they must be engaged in the workpiece.** The riving knife and anti-kickback pawls are ineffective when cutting workpieces that are too short to be engaged with the riving knife and anti-kickback pawls. Under these conditions a kickback cannot be prevented by the riving knife and anti-kickback pawls.
5. **Use the appropriate saw blade for the riving knife.** For the riving knife to function properly, the saw blade diameter must match the appropriate riving knife and the body of the saw blade must be thinner than the thickness of the riving knife and the cutting width of the saw blade must be wider than the thickness of the riving knife.

Cutting procedures warnings

1. **⚠ DANGER: Never place your fingers or hands in the vicinity or in line with the saw blade.** A moment of inattention or a slip could direct your hand towards the saw blade and result in serious personal injury.
2. **Feed the workpiece into the saw blade only against the direction of rotation.** Feeding the workpiece in the same direction that the saw blade is rotating above the table may result in the workpiece, and your hand, being pulled into the saw blade.
3. **Never use the mitre gauge to feed the workpiece when ripping and do not use the rip fence as a length stop when cross cutting with the mitre gauge.** Guiding the workpiece with the rip fence and the mitre gauge at the same time increases the likelihood of saw blade binding and kickback.

4. **When ripping, always apply the workpiece feeding force between the fence and the saw blade.** Use a push stick when the distance between the fence and the saw blade is less than 150 mm, and use a push block when this distance is less than 50 mm. "Work helping" devices will keep your hand at a safe distance from the saw blade.
5. **Use only the push stick provided by the manufacturer or constructed in accordance with the instructions.** This push stick provides sufficient distance of the hand from the saw blade.
6. **Never use a damaged or cut push stick.** A damaged push stick may break causing your hand to slip into the saw blade.
7. **Do not perform any operation "freehand". Always use either the rip fence or the mitre gauge to position and guide the workpiece.** "Freehand" means using your hands to support or guide the workpiece, in lieu of a rip fence or mitre gauge. Freehand sawing leads to misalignment, binding and kickback.
8. **Never reach around or over a rotating saw blade.** Reaching for a workpiece may lead to accidental contact with the moving saw blade.
9. **Provide auxiliary workpiece support to the rear and/or sides of the saw table for long and/or wide workpieces to keep them level.** A long and/or wide workpiece has a tendency to pivot on the table's edge, causing loss of control, saw blade binding and kickback.
10. **Feed workpiece at an even pace. Do not bend or twist the workpiece. If jamming occurs, turn the tool off immediately, unplug the tool then clear the jam.** Jamming the saw blade by the workpiece can cause kickback or stall the motor.
11. **Do not remove pieces of cut-off material while the saw is running.** The material may become trapped between the fence or inside the saw blade guard and the saw blade pulling your fingers into the saw blade. Turn the saw off and wait until the saw blade stops before removing material.
12. **Use an auxiliary fence in contact with the table top when ripping workpieces less than 2 mm thick.** A thin workpiece may wedge under the rip fence and create a kickback.

Kickback causes and related warnings

Kickback is a sudden reaction of the workpiece due to a pinched, jammed saw blade or misaligned line of cut in the workpiece with respect to the saw blade or when a part of the workpiece binds between the saw blade and the rip fence or other fixed object.

Most frequently during kickback, the workpiece is lifted from the table by the rear portion of the saw blade and is propelled towards the operator.

Kickback is the result of saw misuse and/or incorrect operating procedures or conditions and can be avoided by taking proper precautions as given below.

1. **Never stand directly in line with the saw blade. Always position your body on the same side of the saw blade as the fence.** Kickback may propel the workpiece at high velocity towards anyone standing in front and in line with the saw blade.
2. **Never reach over or in back of the saw blade to pull or to support the workpiece.** Accidental contact with the saw blade may occur or kickback may drag your fingers into the saw blade.

3. **Never hold and press the workpiece that is being cut off against the rotating saw blade.** Pressing the workpiece being cut off against the saw blade will create a binding condition and kickback.
4. **Align the fence to be parallel with the saw blade.** A misaligned fence will pinch the workpiece against the saw blade and create kickback.
5. **Use extra caution when making a cut into blind areas of assembled workpieces.** The protruding saw blade may cut objects that can cause kickback.
6. **Support large panels to minimise the risk of saw blade pinching and kickback.** Large panels tend to sag under their own weight. Support(s) must be placed under all portions of the panel overhanging the table top.
7. **Use extra caution when cutting a workpiece that is twisted, knotted, warped or does not have a straight edge to guide it with a mitre gauge or along the fence.** A warped, knotted, or twisted workpiece is unstable and causes misalignment of the kerf with the saw blade, binding and kickback.
8. **Never cut more than one workpiece, stacked vertically or horizontally.** The saw blade could pick up one or more pieces and cause kickback.
9. **When restarting the saw with the saw blade in the workpiece, centre the saw blade in the kerf so that the saw teeth are not engaged in the material.** If the saw blade binds, it may lift up the workpiece and cause kickback when the saw is restarted.
10. **Keep saw blades clean, sharp, and with sufficient set. Never use warped saw blades or saw blades with cracked or broken teeth.** Sharp and properly set saw blades minimise binding, stalling and kickback.
7. **Always use saw blades with correct size and shape (diamond versus round) of arbour holes.** Saw blades that do not match the mounting hardware of the saw will run off-centre, causing loss of control.
8. **Never use damaged or incorrect saw blade mounting means such as flanges, saw blade washers, bolts or nuts.** These mounting means were specially designed for your saw, for safe operation and optimum performance.
9. **Never stand on the table saw, do not use it as a stepping stool.** Serious injury could occur if the tool is tipped or if the cutting tool is accidentally contacted.
10. **Make sure that the saw blade is installed to rotate in the proper direction. Do not use grinding wheels, wire brushes, or abrasive wheels on a table saw.** Improper saw blade installation or use of accessories not recommended may cause serious injury.

Additional instructions

1. **Only use the saw blades that are marked with a speed equal or higher than the speed marked on the tool.**
 2. **Select the correct saw blade for the material to be cut.**
 3. **Wear gloves when handling saw blades.**
 4. **Clean the spindle, flanges (especially the installing surface) and hex nut before installing the blade.** Poor installation may cause vibration/wobbling or slippage of the blade.
 5. **Do not cut metal objects such as nails and screws. Inspect for and remove all nails, screws and other foreign material from the workpiece before operation.**
 6. **NEVER permit anyone else to stand in line with the path of the saw blade.**
 7. **Before using the tool on an actual workpiece, let it run for a while. Watch for vibration or wobbling that could indicate poor installation or a poorly balanced blade.**
 8. **The tool should not be used for slotting, rabbetting or grooving.**
 9. **Replace the table insert when worn.**
 10. **Always store the push-stick when it is not in use.**
 11. **Knock out any loose knots from workpiece BEFORE beginning to cut.**
 12. **Some dust created from operation contains chemicals known to cause cancer, birth defects or other reproductive harm. Some examples of these chemicals are:**
 - lead from lead-based-painted material and,
 - arsenic and chromium from chemically-treated lumber.

Your risk from these exposures varies, depending on how often you do this type of work. To reduce your exposure to these chemicals: work in a well ventilated area and work with approved safety equipment, such as those dust masks that are specially designed to filter out microscopic particles.
- Table saw operating procedure warnings**
1. **Turn off the table saw and disconnect the power cord when removing the table insert, changing the saw blade or making adjustments to the riving knife, anti-kickback pawls or saw blade guard, and when the machine is left unattended.** Precautionary measures will avoid accidents.
 2. **Never leave the table saw running unattended. Turn it off and don't leave the tool until it comes to a complete stop.** An unattended running saw is an uncontrolled hazard.
 3. **Locate the table saw in a well-lit and level area where you can maintain good footing and balance. It should be installed in an area that provides enough room to easily handle the size of your workpiece.** Cramped, dark areas, and uneven slippery floors invite accidents.
 4. **Frequently clean and remove sawdust from under the saw table and/or the dust collection device.** Accumulated sawdust is combustible and may self-ignite.
 5. **The table saw must be secured.** A table saw that is not properly secured may move or tip over.
 6. **Remove tools, wood scraps, etc. from the table before the table saw is turned on.** Distraction or a potential jam can be dangerous.

13. Always make sure that sub guard is down and flat against saw-table before plugging in the tool.
14. Inspect extension cords periodically and replace if damaged.
15. (For European countries only)
Use only saw blades recommended by the manufacturer and which conform to EN847-1.

INSTALLATION

Positioning table saw

- **Fig.1:** 1. Hole diameter 8 mm
- **Fig.2:** 1. 6 mm Std. washer 2. No.10 wood screw 40 mm min. length
- **Fig.3:** 1. 6 mm Std. washer 2. 6 mm Mounting bolt & Nut tighten securely

Locate the table saw in a well lit and level area where you can maintain good footing and balance. It should be installed in an area that leaves enough room to easily handle the size of your workpieces. The table saw should be secured with four screws or bolts to the work bench or table saw stand using the holes provided in the bottom of the table saw. When securing the table saw on the work bench, make sure that there is an opening in the top of the work bench the same size as the opening in the bottom of the table saw so the saw-dust can drop through.

If during operation there is any tendency for the table saw to tip over, slide or move, the work bench or table saw stand should be secured to the floor.

Storing accessories

- **Fig.4:** 1. Miter gauge
- **Fig.5:** 1. Rip fence 2. Push stick 3. Anti-kickback pawls

The miter gauge, saw blade and wrenches can be stored on the left side of the base. Also the rip fence, push stick, and anti-kickback pawls can be stored at the right side of the base.

FUNCTIONAL DESCRIPTION

CAUTION: Always be sure that the tool is switched off and unplugged before adjusting or checking function on the tool.

Blade guard

WARNING: Never defeat or remove the blade guard. An exposed blade as a result of defeated guarding may result in serious personal injury during operation.

WARNING: Never use the tool if the blade guard is damaged, faulty or removed. Operation of the tool with a damaged, faulty or removed guard may result in serious personal injury.

- **Fig.6:** 1. Blade guard 2. Sub guard

When cutting, push the workpiece toward the blade with the lower edge of the sub guard contacting with the main table. As the workpiece is fed, the blade guard and the sub guard goes over the edge of the workpiece.

In the interest of your personal safety, always maintain the blade guard and sub guard in good condition. Any irregular operation of the blade guard and sub guard should be corrected immediately. Check to assure that the blade guard and the sub guard are down and the lower edge of the sub guard contacts with the main table when the workpiece is not fed.

If the see-through parts become dirty, or sawdust adheres to them in such a way that the blade and/or workpiece is no longer easily visible, unplug the tool and clean the see-through parts carefully with a damp cloth. Do not use solvents or any petroleum-based cleaners because this may cause damage to the parts. If see-through parts become discolored through age or UV light exposure, contact a Makita service center for a new parts. **DO NOT DEFEAT OR REMOVE BLADE GUARD AND SUB GUARD.**

Adjusting the depth of cut

- **Fig.7:** 1. Handle

The depth of cut may be adjusted by turning the handle. Turn the handle clockwise to raise the saw blade or counterclockwise to lower it.

NOTE: Use a shallow depth setting when cutting thin materials in order to obtain a cleaner cut.

Adjusting the bevel angle

- **Fig.8:** 1. Lock lever 2. Arrow pointer 3. Handwheel

Loosen the lock lever counterclockwise and turn the handwheel until the desired angle (0° - 45°) is obtained. The bevel angle is indicated by the arrow pointer. After obtaining the desired angle, tighten the lock lever clockwise to secure the adjustment.

CAUTION: After adjusting the bevel angle, be sure to tighten the lock lever securely.

Adjusting positive stops

► **Fig.9:** 1. 90° Adjusting screw 2. 45° Adjusting screw

► **Fig.10**

The tool is equipped with positive stops at 90° and 45° to the table surface. To check and adjust the positive stops, proceed as follows:

Move the handwheel as far as possible by turning it. Place a triangular rule on the table and check to see if the saw blade is at 90° or 45° to the table surface. If the saw blade is at an angle shown in Fig. A, turn the adjusting screws clockwise; if it is at an angle shown in Fig. B, turn the adjusting screws counterclockwise to adjust the positive stops.

After adjusting the positive stops, set the saw blade at 90° to the table surface. Then adjust the arrow pointer so that its right edge is aligned to the 0° graduation.

► **Fig.11:** 1. Arrow pointer

Switch action

► **Fig.12:** 1. Switch

CAUTION: Before operation, make sure that the tool is turned on and off.

To start the tool, press the ON (I) button.

To stop it, press the OFF (O) button.

Sub fence (rip fence)

► **Fig.13:** 1. Clamping screw 2. Rip fence 3. Sub fence 4. Rail

If the rip fence comes close to the saw blade, use the sub fence to support the workpiece. Loosen the clamping screw and slide the sub fence out of the rail. Attach the sub fence as illustrated and tighten the clamping screws.

When the rip fence is attached to the left side of the saw blade, switch the sub fence position. Remove the clamping screws, sub fence, and rail from the rip fence. Loosely attach the rail on the right side of the rip fence using the removed clamping screws. After that, attach the sub fence and tighten the clamping screws.

► **Fig.14:** 1. Rip fence 2. Sub fence 3. Clamping screw 4. Rail

Sub table (R)

► **Fig.15:** 1. Lever

► **Fig.16:** 1. Sub table (R)

This tool is provided with the sub table (R) on the right side of the main table. To use the sub table (R), raise both levers on the front right side, pull out the table (R) fully and then lower the levers to secure it.

When using the sub table (R), locate the scale plate on the sub table after loosening the screw on it with a screwdriver so that it becomes successive with the scale plate on the main table.

► **Fig.17:** 1. Scale plate 2. Screw

Sub table (back)

Optional accessory

► **Fig.18:** 1. Sub table (back) 2. Screw

To use the sub table (back), loosen the screws on the left and right hand sides under the table and pull it out backwards to the desired length. At the desired length, tighten the screws securely.

NOTE: When using the sub table (back) during use of the rip fence, pull out the sub table (back) more than 50 mm so that it does not hit against the top end of the rip fence.

Sub table (L)

Optional accessory

► **Fig.19:** 1. Screw 2. Sub table (L)

Sub table (L) (optional accessory) can be installed on the left side of the table to obtain wider space.

Anti-kickback pawls

WARNING: Use the Antikickback pawls whenever possible during the through cutting operations. This will help prevent the material from being pushed forward into the operator during a kickback situation which may result in serious personal injury.

► **Fig.20:** 1. Antikickback pawl 2. Clamp

To remove the anti-kickback pawls from the tool, loosen the clamp on the root of the antikickback pawls and then pull them out. To install, perform the removal procedure in reverse.

ASSEMBLY

CAUTION: Always be sure that the tool is switched off and unplugged before carrying out any work on the tool.

Installing or removing saw blade

CAUTION: Always be sure that the tool is switched off and unplugged before installing or removing the saw blade.

CAUTION: Use only the Makita wrench provided to install or remove the saw blade. Failure to do so may result in overtightening or insufficient tightening of the hex bolt. This could cause an injury.

CAUTION: Use the following saw blade. Do not use saw blades which do not comply with the characteristics specified in these instructions.

Diameter	Blade thickness	Kerf
260 mm	Less than 1.9 mm	More than 2.1 mm

1. Loosen the screw on the table insert and remove it.
2. Hold the outer flange with the offset wrench and loosen the hex nut counterclockwise with the wrench. Then remove the outer flange.

► **Fig.21:** 1. Offset wrench 2. Hex nut 3. Wrench

3. Assemble the inner flange, ring, saw blade, outer flange and hex nut onto the arbor, making sure that the teeth of the blade are pointing down at the front of the table. Always install the hex nut with its recessed side facing the outer flange.

► **Fig.22:** 1. Inner flange 2. Ring 3. Saw blade
4. Outer flange 5. Hex nut

CAUTION: Be sure that the saw blade is installed so that the teeth are aligned in the cutting (turning) direction.

CAUTION: Check the arbor hole diameter of the saw blade before installing the saw blade. Always use the correct ring for the arbor hole of the saw blade you intend to use. The size of the supplied ring(s) varies depending on the country.

- For tool for a 30 mm hole-diameter saw blade, the ring 30 mm in outer diameter is provided.
- For tool for a 25.4 mm and 25 mm hole-diameter saw blade, the silver and black rings are provided. Use the silver ring for 25.4 mm hole-diameter saw blade and the black ring for 25 mm hole-diameter saw blade.

4. To secure the saw blade in place, hold the outer flange with the offset wrench, then tighten the hex nut clockwise with the wrench. **BE SURE TO TIGHTEN THE HEX NUT SECURELY.**

► **Fig.23:** 1. Offset wrench 2. Wrench

CAUTION: Keep the flange surface clean of dirt or other adhering matter; it could cause blade slippage.

CAUTION: Be sure to hold the hex nut carefully with the wrench. If your grip should slip, the wrench may come off the hex nut, and your hand could strike the sharp blade edges.

5. Attach the table insert in place with the screw.

Adjusting the riving knife

CAUTION: If the saw blade and riving knife are not aligned properly, a dangerous pinching condition may result during operation. Make sure they are properly aligned. You could suffer serious personal injury while using the tool without a properly aligned riving knife.

CAUTION: NEVER make any adjustments while tool is running. Disconnect the tool before making any adjustments.

CAUTION: Don't remove the riving knife.

► **Fig.24:** 1. Blade guard 2. Riving knife 3. Screw

The riving knife position is factory-adjusted so that the saw blade and riving knife will be in a straight line. However, you need to adjust it if the saw blade and riving knife are not in a straight line.

Loosen the screw on the table insert and remove it from the main table. Loosen the hex bolts (B) and adjust the blade guard mounting portion (stay) so that the riving knife is aligned directly behind the saw blade. Then tighten the hex bolts (B) to secure the stay and put the table insert in place.

► **Fig.25:** 1. Blade 2. These two clearances should be equal. 3. Riving knife 4. Hex bolts (B) 5. Hex bolts (A)

There must be a clearance of about 4 - 5 mm between the riving knife and the blade teeth. Loosen the hex bolts (A), adjust the riving knife accordingly and tighten the hex bolts (A) securely. Attach the table insert on the table with the screw, then check to see that the blade guard works smoothly before cutting.

► **Fig.26:** 1. Riving knife 2. Blade guard 3. 4 mm - 5mm clearance

Installing and adjusting rip fence

► **Fig.27:** 1. Hook 2. Knob 3. Guide rail

1. Fit the hook on the tip of the rip fence into the far guide rail on the table or sub table (R) and install and push the rip fence forward so that the fence holder engages with the nearest guide rail.

2. To slide the rip fence on the guide rail sideways, return the knob on the fence holder fully without pulling the lever on the knob.

To secure the rip fence, pivot fully the knob on the fence holder.

3. To remove the rip fence, pull the lever on the knob and pivot the knob fully forward while pulling the lever.

To check if the rip fence is parallel with the saw blade, secure the rip fence 2 - 3 mm from the saw blade. Raise the blade up to maximum elevation. Mark one of the blade teeth with a crayon. Measure the distance (A) and (B) between the rip fence and saw blade. Take both measurements using the tooth marked with the crayon. These two measurements should be identical. If the rip fence is not parallel with the saw blade, proceed as follows:

► **Fig.28:** 1. Scale

1. Position the rip fence in the sliding position.

2. Loosen the two hex bolts on the rip fence with the hex wrench provided.

► **Fig.29:** 1. Hex bolts

3. Adjust the rip fence until it becomes parallel with the saw blade.

4. Pivot down the knob on the rip fence toward the operator.

5. Tighten the two hex bolts on the rip fence.

► **Fig.30**

CAUTION: Be sure to adjust the rip fence so that it is parallel with the saw blade, or a dangerous kickback condition may occur.

When the rip fence cannot be secured solidly, adjust it according to the following procedure.

1. Set the rip fence on the table and then pivot the knob on the half way of its travel (moving position). Tighten the screw (A) until the rip fence is immobilized. Then loosen a 1/4 to 1/2 turn.

► **Fig.31:** 1. Rip fence 2. Released position 3. Moving position 4. Lock position

► **Fig.32:** 1. Rip fence 2. Moving position 3. Screw (B) 4. Screw (A)

2. Tighten the screw (B) fully and then loosen about 2 full revolutions.

3. Lock the rip fence by fully pivoting the knob on the fence holder (lock position).

4. Make sure that the rip fence can be installed and removed in the original position (released position).

5. Make sure that the rip fence can be slid smoothly with no wobble when the knob is on half way of its travel.

NOTICE: Be careful not to tighten screws with more than tightening amount specified in the above instructions. Failure to do so may damage the fastened parts.

Bring the rip fence up flush against the side of the saw blade. Make sure that the guideline on the fence holder points to the 0 graduation. If the guideline does not point to the 0 graduation, loosen the screw on the scale plate and adjust the scale plate.

► Fig.33: 1. Guideline 2. Screws

Connecting to vacuum cleaner

Cleaner operations can be performed by connecting the tool to Makita vacuum cleaner or dust collector.

► Fig.34

OPERATION

CAUTION: Always use "work helpers" such as push sticks and push blocks when there is a danger that your hands or fingers will come close to the saw blade.

CAUTION: Always hold the workpiece firmly with the table and the rip fence or miter gauge. Do not bend or twist it while feeding. If the workpiece is bent or twisted, dangerous kickbacks may occur.

CAUTION: NEVER withdraw the workpiece while the saw blade is running. If you must withdraw the workpiece before completing a cut, first switch the tool off while holding the workpiece firmly. Wait until the saw blade has come to a complete stop before withdrawing the workpiece. Failure to do so may cause dangerous kickbacks.

CAUTION: NEVER remove cut-off material while the saw blade is running.

CAUTION: NEVER place your hands or fingers in the path of the saw blade. Be especially careful with bevel cuts.

CAUTION: Always secure the rip fence firmly, or dangerous kickbacks may occur.

CAUTION: Always use "work helpers" such as push sticks and push blocks when cutting small or narrow workpieces.

Work helpers

Push sticks, push blocks or auxiliary fence are types of "work helpers". Use them to make safe, sure cuts without the need for the operator to contact the saw blade with any part of the body.

Push block

► Fig.35: 1. Face/edge parallel 2. Handle 3. Wood screw 4. Glue together

Use a 19 mm piece of plywood. Handle should be in center of plywood piece. Fasten with glue and wood screws as shown. Small piece 9.5 mm x 8 mm x 50 mm of wood must always be glued to plywood to keep the saw blade from dulling if the operator cuts into push block by mistake. (Never use nails in push block.)

Auxiliary fence

► Fig.36: 1. Face/edge parallel

Make auxiliary fence from 9.5 mm and 19 mm plywood pieces.

Ripping

CAUTION: When ripping, remove the miter gauge from the table.

CAUTION: When cutting long or large workpieces, always provide adequate support behind the table. DO NOT allow a long board to move or shift on the table. This will cause the saw blade to bind and increase the possibility of kickback and personal injury. The support should be at the same height as the table.

CAUTION: Do not perform bevel ripping on the bevelling side of the saw blade.

1. Adjust the depth of cut a bit higher than the thickness of the workpiece.

► Fig.37

2. Position the rip fence to the desired width of rip and lock in place by pivoting the knob. Before ripping, make sure the rear end of the rip fence is secured firmly. If it is not secured enough, follow the procedures in the section titled "Installing and adjusting rip fence".

3. Turn the tool on and gently feed the workpiece into the saw blade along with the rip fence.

When the width of rip is 150 mm and wider, carefully use your right hand to feed the workpiece. Use your left hand to hold the workpiece in position against the rip fence.

► Fig.38

When the width of rip is 65 mm - 150 mm wide, use the push stick to feed the workpiece.

► Fig.39: 1. Push stick

When the width of rip is narrower than 65 mm, the push stick cannot be used because the push stick will strike the blade guard. Use the auxiliary fence and push block. Attach the auxiliary fence to the rip fence with two "C" clamps.

Feed the workpiece by hand until the end is about 25 mm from the front edge of the table.

► Fig.40

Continue to feed using the push block on the top of the auxiliary fence until the cut is complete.

► Fig.41: 1. Push block 2. Auxiliary fence

Cross cutting

⚠ CAUTION: When making a crosscut, remove the rip fence from the table.

⚠ CAUTION: When cutting long or large workpieces, always provide adequate support to the sides of the table. The support should be at the same height as the table.

⚠ CAUTION: Always keep hands away from path of blade.

Miter gauge

► Fig.42: 1. Cross cutting 2. Mitering 3. Bevel cutting
4. Compound mitering (angles)

Use the miter gauge for the 4 types of cutting shown in the figure.

⚠ CAUTION: Secure the knob on the miter gauge carefully.

⚠ CAUTION: Avoid creep of workpiece and gauge by firm workholding arrangement, especially when cutting at an angle.

⚠ CAUTION: NEVER hold or grasp the intended "cut-off" portion of the workpiece.

⚠ CAUTION: Always adjust the distance between the end of the miter gauge and the saw blade not to exceed 15 mm.

Miter gauge positive stop

► Fig.43: 1. Screw for positive stop 2. Small plate
3. Knob

Miter gauge is provided with positive stops at 90°, 45° right and left miter angles for quick setting of miter angles.

To set the miter angle, loosen the knob on the miter gauge.

Raise the small plate on the miter gauge for free setting. Turn the miter gauge to the desired miter angle. Return the small plate on the miter gauge to the original position and tighten the knob clockwise securely.

Use of miter gauge

► Fig.44: 1. Groove 2. Miter gauge 3. Knob

Slide the miter gauge into the thick grooves in the table. Loosen the knob on the gauge and align to desired angle (0° to 60°). Bring stock flush up against fence and feed gently forward into the saw blade.

Sub gauge (miter gauge)

► Fig.45: 1. Sub gauge

The sub gauge on the miter gauge prevents the workpiece from wobbling. Loosen the screw on the miter gauge and adjust the sub gauge position.

Carrying tool

► Fig.46

Make sure that the tool is unplugged.

Carry the tool by holding the tool part shown in the figure.

⚠ CAUTION: Always secure all moving portions before carrying the tool.

⚠ CAUTION: Before the carrying the tool, make sure that the blade guard and the sub guard are down and the lower edge of the sub guard contacts with the main table.

MAINTENANCE

⚠ CAUTION: Always be sure that the tool is switched off and unplugged before attempting to perform inspection or maintenance.

NOTICE: Never use gasoline, benzine, thinner, alcohol or the like. Discoloration, deformation or cracks may result.

Cleaning

Clean out sawdust and chips from time to time. Carefully clean the blade guard and moving parts inside the table saw. When removing the sawdust accumulated under the saw blade, remove the table insert and use an air duster to blow out the sawdust from the connector for a vacuum cleaner.

Lubrication

To keep the table saw in tip-top running condition, and to assure maximum service life, oil or grease the moving parts and rotating parts from time to time.

Lubrication places:

- Threaded shaft to elevate the saw blade
- Hinge to rotate the frame
- Elevation guide shafts on motor
- Gear to elevate the saw blade
- Guide rails for the rip fence
- Shaft of the sub table (R) locking levers
- Sliding part of the sub table (R)

Replacing carbon brushes

Check the carbon brushes regularly.

Replace them when they wear down to the limit mark. Keep the carbon brushes clean and free to slip in the holders. Both carbon brushes should be replaced at the same time. Use only identical carbon brushes.

► Fig.47: 1. Limit mark

1. Store the sub table (R). Remove the rip fence if it is stored.
2. Loosen the lock lever and turn the handwheel until the saw head is tilted to 45° bevel angle. After that, tighten the lock lever.

► Fig.48: 1. Rip fence 2. Lock lever 3. Handwheel

3. Stand the tool on its right side.

► Fig.49

4. Loosen the screws on the bottom plate and remove it.

5. Loosen the brush holder caps using a screwdriver and remove the worn carbon brushes.

► Fig.50: 1. Bottom plate 2. Brush holder cap
3. Screwdriver

6. Insert the new carbon brushes and secure the brush holder caps.

7. Attach the bottom plate with screws and carefully lay the tool on its bottom. Store the rip fence if removed.

To maintain product SAFETY and RELIABILITY, repairs, any other maintenance or adjustment should be performed by Makita Authorized or Factory Service Centers, always using Makita replacement parts.

OPTIONAL ACCESSORIES

⚠ CAUTION: These accessories or attachments are recommended for use with your Makita tool specified in this manual. The use of any other accessories or attachments might present a risk of injury to persons. Only use accessory or attachment for its stated purpose.

If you need any assistance for more details regarding these accessories, ask your local Makita Service Center.

- Steel & Carbide-tipped saw blades
- Sub table (L)
- Sub table (back)
- Rip fence
- Miter gauge
- Offset wrench 13-22
- Wrench 19
- Hex wrench 5
- Joint (for connecting to dust collector)
- Table stand set

Refer to the instruction manual for table saw stand that is provided with the table saw stand as an optional accessory.

NOTE: Some items in the list may be included in the tool package as standard accessories. They may differ from country to country.










DANE TECHNICZNE

Model:		2704N
Otwór na trzpień (w zależności od kraju)		30 mm/25,4 mm
Średnica tarczy		260 mm
Maks. zakres cięcia	w pionie pod kątem 0°	93 mm
	w pionie pod kątem 45°	64 mm
Prędkość bez obciążenia		5 200 min ⁻¹
Wielkość stołu (dług. x szer.)	ze stołami dodatkowymi (P) i (tył)	1 045 mm x 1 066 mm (stoły rozłożone) 665 mm x 753 mm (stoły złożone)
	ze stołem dodatkowym (P) bez stołu dodatkowego (tył)	567 mm x 1 066 mm (stół rozłożony) 567 mm x 753 mm (stół złożony)
Wymiary (dług. x szer. x wys.) ze stołami złożonymi	ze stołami dodatkowymi (P) i (tył)	715 mm x 753 mm x 483mm
	ze stołem dodatkowym (P) bez stołu dodatkowego (tył)	665 mm x 753 mm x 483 mm
Masa netto		35,2–37,0 kg
Klasa bezpieczeństwa		▣/II

- W związku ze stale prowadzonym przez naszą firmę programem badawczo-rozwojowym niniejsze dane mogą ulec zmianom bez wcześniejszego powiadomienia.
- Dane techniczne mogą różnić się w zależności od kraju.
- Wysokość może być różna w zależności od osprzętu. W tabeli została przedstawiona najniższa i najcięższa konfiguracja zgodnie z procedurą EPTA 01/2014.

Symbole

Poniżej pokazano symbole zastosowane na urządzeniu. Przed rozpoczęciem użytkowania należy zapoznać się z ich znaczeniem.

	Przeczytać instrukcję obsługi.
	PODWÓJNA IZOLACJA
   	Nosić okulary ochronne.
 	Dłonie i palce należy trzymać z dala od tarczy.
	Dotyczy tylko państw UE Nie wyrzucać urządzeń elektrycznych wraz z odpadami z gospodarstwa domowego! Zgodnie z dyrektywą europejską w sprawie zużytego sprzętu elektrycznego i elektronicznego oraz dostosowaniem jej do prawa krajowego, zużyte urządzenia elektryczne należy składać osobno i przekazywać do zakładu recyklingu działającego zgodnie z przepisami dotyczącymi ochrony środowiska.

Przeznaczenie

To narzędzie jest przeznaczone do cięcia w drewnie. Za pomocą tego narzędzia można wykonywać cięcia proste, cięcia pod kątem w pionie i cięcia pod kątem w poziomie. Narzędzie to nie jest przeznaczone do cięcia nieprzelotowego.

Zasilanie

Narzędzie wolno podłączać tylko do źródeł zasilania o napięciu zgodnym z napięciem podanym na tabliczce znamionowej. Można je zasilac wyłącznie jednofazowym prądem przemiennym. Narzędzie ma podwójną izolację, dlatego też można je zasilac z gniazda elektrycznego bez uziemienia.

Hałas

Typowy równoważny poziom dźwięku A określony w oparciu o normę EN62841:
Poziom ciśnienia akustycznego (L_{DA}): 94 dB(A)
Poziom mocy akustycznej (L_{WA}): 107 dB (A)
Niepewność (K): 3 dB(A)

⚠ OSTRZEŻENIE: Nosić ochronniki słuchu.

Deklaracja zgodności WE

Dotyczy tylko krajów europejskich

Deklaracja zgodności WE jest dołączona jako załącznik A do niniejszej instrukcji obsługi.

OSTRZEŻENIA DOTYCZĄCE BEZPIECZEŃSTWA

Ogólne zasady bezpiecznej eksploatacji elektronarzędzi

⚠ OSTRZEŻENIE: Należy zapoznać się z ostrzeżeniami dotyczącymi bezpieczeństwa, instrukcjami, ilustracjami i danymi technicznymi dotyczącymi do tego elektronarzędzia. Niezastosowanie się do podanych poniżej instrukcji może prowadzić do porażenia prądem, pożaru i/lub poważnych obrażeń ciała.

Wszystkie ostrzeżenia i instrukcje należy zachować do wykorzystania w przyszłości.

Pojęcie „elektonarzędzie”, występujące w wymienionych tu ostrzeżeniach, odnosi się do elektronarzędzia zasilanego z sieci elektrycznej (z przewodem zasilającym) lub do elektronarzędzia akumulatorowego (bez przewodu zasilającego).

Instrukcje bezpieczeństwa dotyczące stołowych pilarek tarczowych

Ostrzeżenia związane z osłonami

1. **Oslony powinny być założone. Oslony muszą być sprawne i muszą być prawidłowo zamontowane.** Jeśli osłona jest luźna, została uszkodzona lub nie działa prawidłowo, należy ją naprawić lub wymienić.
2. **Przed włączeniem narzędzia za pomocą przełącznika należy się upewnić, że tarcza tnąca nie dotyka osłony, klina rozszczepiającego lub obrabianego elementu.** Przypadkowe zetknięcie tych elementów z tarczą tnącą może spowodować zagrożenie.
3. **Należy wyregulować klin rozszczepiający w sposób opisany w niniejszej instrukcji obsługi.** Niepoprawne ustawienie, zła pozycja i złe dopasowanie mogą powodować nieskuteczność klina rozszczepiającego w zmniejszeniu prawdopodobieństwa odrzutu.
4. **Aby klin rozszczepiający i zapadki zapobiegające odrzutowi działały poprawnie, muszą być połączone w obrabianym elemencie.** Klin rozszczepiający i zapadki zapobiegające odrzutowi nie będą działać prawidłowo podczas cięcia obrabianych elementów, które są zbyt krótkie, aby możliwe było ich połączenie z klinem lub zapadkami. W takich warunkach klin rozszczepiający i zapadki zapobiegające odrzutowi nie będą przeciwdziałać odrzutowi.
5. **Należy używać właściwej tarczy tnącej do klina rozszczepiającego.** Aby klin rozszczepiający działał prawidłowo, średnica tarczy tnącej musi być dopasowana do klina rozszczepiającego, tarcza tnąca musi być cieńsza niż grubość klina rozszczepiającego, a szerokość cięcia tarczy tnącej musi być szersza od grubości klina rozszczepiającego.

Ostrzeżenia dotyczące procedur cięcia

1. **⚠ NIEBEZPIECZEŃSTWO:** Nigdy nie należy zbliżać palców ani dłoni do tarczy tnącej. Chwila nieuwagi lub poślizgnięcie się może sprawić, że dłoń zbliży się do tarczy tnącej i dojdzie do poważnych obrażeń ciała.
2. **Obrabiany element należy przesuwając w stronę tarczy tnącej tylko przeciwnie do kierunku obrotów.** Przesuwanie obrabianego elementu zgodnie z kierunkiem obrotów tarczy tnącej nad stołem może spowodować wciągnięcie obrabianego elementu i dłoni przez tarczę tnącą.
3. **Nigdy nie należy używać przyrządu do ukosowania do przesuwania obrabianego elementu podczas cięcia wzdłużnego, a prowadnicy wzdłużnej jako ogranicznika długości podczas cięcia poprzecznego z użyciem przyrządu do ukosowania.** Prowadzenie obrabianego elementu za pomocą prowadnicy wzdłużnej i przyrządu do ukosowania jednocześnie zwiększa prawdopodobieństwo zablokowania tarczy tnącej i odrzutu.
4. **Podczas cięcia wzdłużnego siłę do przesuwania obrabianego detalu należy przyłożyć pomiędzy prowadnicą a tarczą tnącą.** Jeśli odległość pomiędzy prowadnicą a tarczą tnącą jest mniejsza niż 150 mm, należy użyć popychacza, a jeśli ta odległość jest mniejsza niż 50 mm, należy użyć dociskacza. Dzięki „narzędziom pomocniczym” dłoń pozostanie w bezpiecznej odległości od tarczy tnącej.
5. **Należy używać wyłącznie popychacza dostarczonego przez producenta lub wyprodukowanego zgodnie z instrukcjami.** Dzięki popychaczowi dłoń znajduje się w odpowiedniej odległości od tarczy tnącej.
6. **Nigdy nie należy używać uszkodzonego lub naciętego popychacza.** Uszkodzony popychacz może się złamać, powodując ześlizgnięcie dłoni na tarczę tnącą.
7. **Nie należy wykonywać żadnych operacji „odręcznie”.** Do ustawienia i poprowadzenia obrabianego elementu zawsze należy używać prowadnicy wzdłużnej lub przyrządu do ukosowania. „Odręcznie” oznacza podtrzymywanie lub prowadzenie obrabianego elementu rękami a nie przy użyciu prowadnicy wzdłużnej lub przyrządu do ukosowania. Odręczne cięcie prowadzi do niepoprawnego ustawienia, zablokowania i odrzutu.
8. **Nigdy nie należy sięgać ręką w pobliżu lub nad obracającą się tarczą tnącą.** Sięgnięcie do obrabianego elementu może spowodować przypadkowy kontakt z poruszającą się tarczą tnącą.
9. **W przypadku długich i/lub szerokich obrabianych elementów należy zapewnić pomocnicze podparcie elementu z tyłu i/lub po bokach stołowej pilarki tarczowej, które pozwoli utrzymać je w poziomie.** Długie i/lub szerokie elementy obrabiane mają tendencję do obracania się na krawędzi stołu, co powoduje utratę kontroli, zablokowanie tarczy tnącej i odrzutu.
10. **Obrabiany element należy przesuwając w równym tempie. Nie należy zginać ani obracać obrabianego elementu.** W przypadku zakleszczenia należy niezwłocznie wyłączyć narzędzie, odłączyć je od zasilania i usunąć przyczynę zakleszczenia. Zakleszczenie tarczy tnącej przez obrabiany element może spowodować odrzut lub zgaśnięcie silnika.

11. **Nie należy wyjmować fragmentów ciętego materiału w czasie pracy pilarki.** Materiał może utknąć pomiędzy prowadnicą lub pomiędzy osłoną tarczy tnącej i tarczą, co spowoduje wciągnięcie palców przez tarczę tnącą. Przed usunięciem materiału należy wyłączyć pilarkę i poczekać, aż tarcza tnąca zatrzyma się.
12. **Podczas cięcia wzdłużnego elementów o grubości mniejszej niż 2 mm należy użyć prowadnicy pomocniczej, która styka się z powierzchnią stołu.** Cienki element obrabiany może zaklinować się pod prowadnicą wzdłużną i spowodować odrzut.

Przyczyny odrzutu i związane z tym ostrzeżenia

Odrzut to nagła reakcja obrabianego elementu spowodowana przez ściśnięcie, zakleszczenie tarczy tnącej lub niewłaściwą linię cięcia obrabianego elementu w odniesieniu do tarczy tnącej lub reakcja na zakleszczenie obrabianego elementu pomiędzy tarczą tnącą i prowadnicą wzdłużną lub innym stałym obiektem. Najczęściej podczas odrzutu obrabiany element zostaje uniesiony nad stołem w tylniej części tarczy tnącej i wyrzucony w kierunku operatora.

Odrzut jest wynikiem nieprawidłowego używania pilarki i/lub niewłaściwych procedur lub warunków jej obsługi. Można tego uniknąć, podejmując odpowiednie środki ostrożności, które podano poniżej.

1. **Nigdy nie należy stawać bezpośrednio w jednej linii z tarczą tnącą. Zawsze należy stawać po tej samej stronie tarczy tnącej, co prowadnica wzdłużna.** Odrzut może spowodować wyrzucenie obrabianego elementu z dużą prędkością w kierunku osoby stojącej z przodu i w jednej linii z tarczą tnącą.
2. **W celu pociągnięcia lub podparcia obrabianego elementu nigdy nie należy sięgać nad tarczą tnącą ani za nią.** Może wówczas dojść do przypadkowego kontaktu z tarczą tnącą lub wciągnięcia palców przez tarczę tnącą w wyniku odrzutu.
3. **Nigdy nie należy przytrzymywać ani dociskać obrabianego elementu, który jest cięty przez obracającą się tarczę tnącą.** Docisnięcie obrabianego elementu w trakcie cięcia do tarczy tnącej spowoduje zakleszczenie i odrzut.
4. **Oslonę należy ustawić równoległe do tarczy tnącej.** Złe ustawiona osłona przycisnie obrabiany element do tarczy tnącej i spowoduje odrzut.
5. **Należy zachować szczególną ostrożność podczas wykonywania cięcia w zasłoniętych przestrzeniach zamontowanych obrabianych elementów.** Wystająca tarcza tnąca może przeciąć niewidoczne elementy, co z kolei może wywołać odrzut.
6. **Duże płyty należy podparać, aby zminimalizować ryzyko zakleszczenia się tarczy tnącej i odrzutu.** Duże płyty mają tendencję do wyginania się pod własnym ciężarem. Podpory należy umieszczać pod wszystkimi częściami płyty wystającymi poza powierzchnię stołu.
7. **Należy zachować szczególną ostrożność podczas cięcia obrabianego elementu, który jest skrzycony, ma sęki, jest zniekształcony lub nie ma prostej krawędzi umożliwiającej prowadzenie go za pomocą przyrządu do ukosowania lub wzdłuż prowadnicy.** Obrabiany element, który jest zniekształcony, skrzycony lub ma sęki, jest niestabilny i może spowodować niewłaściwe ustawienie nacięcia w odniesieniu do tarczy tnącej, zakleszczenie i odrzut.

8. **Nigdy nie należy ciąć kilku elementów ułożonych na sobie pionowo lub poziomo.** Pod tarczą tnącą może dostać się jeden lub kilka elementów i może dojść do odrzutu.
9. **Przed ponownym uruchomieniem pilarki z tarczą tnącą znajdującą się w obrabianym elemencie należy ustawić tarczę tnącą w środku nacięcia tak, aby zęby tarczy nie były wbite w materiał.** Jeśli tarcza tnąca zablokuje się, po ponownym uruchomieniu pilarki może ona wypchnąć obrabiany element ku górze i doprowadzić do wystąpienia odrzutu.
10. **Tarcze tnące należy utrzymywać w czystości, powinny być ostre i odpowiednio rozszyczone. Nigdy nie należy używać odfkształconych tarcz tnących ani tarcz z popękkanymi lub złamanymi zębami.** Naostrzone i prawidłowo ustawione tarcze tnące minimalizują ryzyko zakleszczenia, odrzutu i zgaśnięcia silnika.

Ostrzeżenia związane z procedurą obsługi stołowej pilarki tarczowej

1. **Podczas wyjmowania wkładki stołu, zmiany tarczy tnącej lub ustawiania klina rozszczepiającego, zapadek zapobiegających odrzutowi lub osłony tarczy tnącej oraz w przypadku pozostawienia maszyny bez nadzoru należy wyłączyć stołową pilarkę tarczową i odłączyć przewód zasilający.** Środki zapobiegawcze pozwolą uniknąć wypadków.
2. **Nigdy nie należy pozostawiać włączonej stołowej pilarki tarczowej bez nadzoru. Należy ją wyłączyć i nie zostawiać narzędzia przed jego całkowitym zatrzymaniem.** Pozostawiona bez nadzoru działająca pilarka stanowi niekontrolowane zagrożenie.
3. **Stołową pilarkę tarczową należy ustawić w dobrze oświetlonym miejscu i na płaskiej powierzchni zapewniającej dobre podparcie i utrzymanie równowagi. Należy ją zamontować w miejscu zapewniającym swobodną obsługę obrabianych elementów o wybranej wielkości.** Ciężne, ciasne miejsca i nierówna, śliska podłoga zwiększają ryzyko wypadków.
4. **Należy często sprzątać i usuwać trociny znajdujące pod stołową pilarką tarczową i/lub pochłaniaczem pyłu.** Nagromadzone trociny są palne i może dojść do ich samozapłonu.
5. **Stołową pilarkę tarczową należy przymocować.** Jeśli stołowa pilarka tarczowa nie zostanie przymocowana, może się poruszyć lub wyrwać.
6. **Przed włączeniem stołowej pilarki tarczowej należy usunąć ze stołu narzędzia, kawałki drewna itp.** Roztargnienie lub potencjalne zakleszczenie może być niebezpieczne.
7. **Zawsze należy używać tarcz tnących o prawidłowym rozmiarze i kształcie (romb lub koło) otworów na trzpień.** Tarcze tnące, które nie pasują do osprzętu do ich montażu w narzędziu, będą obracać się mimośrodowo, powodując utratę kontroli.
8. **Nigdy nie należy używać uszkodzonych lub niewłaściwych elementów mocujących tarczy tnącej, takich jak kołnierze, podkładki tarczy tnącej, śruby lub nakrętki.** Te elementy mocujące zostały specjalnie zaprojektowane dla danej pilarki, tak aby zapewniały bezpieczną pracę i optymalną wydajność.

9. **Nigdy nie należy stawać na stołowej pilarcze tarczowej, nie należy używać jej jako schodka.** Przewrócenie narzędzia lub przypadkowy kontakt z narzędziem tnącym może spowodować poważne obrażenia.
10. **Należy upewnić się, czy tarcza tnąca jest zainstalowana w sposób umożliwiający jej obrót w właściwym kierunku.** W stołowej pilarcze tarczowej **nie należy używać ściernic szlifierskich, drucianych szczotek ani ściernic.** Nieprawidłowy montaż tarczy tnącej lub użycie osprzętu niezgodnego z zaleceniami może spowodować poważne obrażenia.
13. **Przed podłączeniem narzędzia do zasilania zawsze należy się upewnić, czy osłona dodatkowa jest opuszczona i przylega do stołowej pilarki tarczowej.**
14. **Należy okresowo sprawdzać przedłużacze i wymieniać je w przypadku uszkodzenia.**
15. **(Dotyczy tylko krajów europejskich) Należy używać wyłącznie tarcz tnących zalecanych przez producenta i spełniających wymogi normy EN847-1.**

Dodatkowe instrukcje

1. **Stosować wyłącznie tarcze tnące z oznaczeniem prędkości równej lub wyższej niż wartość prędkości oznaczonej na narzędziu.**
2. **Należy dobrać odpowiednią tarczę tnącą do obrabianego materiału.**
3. **Podczas obsługi tarcz tnących należy nosić rękawice.**
4. **Przed zamontowaniem tarczy należy oczyścić wrzeciono, kołnierze (szczególnie powierzchnię montażową) oraz nakrętkę sześciokątną.** Nieprawidłowy montaż może spowodować wibracje/bicie osiowe lub ślizganie się tarczy.
5. **Nie należy ciąć elementów metalowych, takich jak gwoździe czy śruby.** Przed przystąpieniem do pracy należy sprawdzić obrabiany element i usunąć z niego wszystkie gwoździe, wkręty i inne przedmioty obce.
6. **NIGDY nie należy zezwalać na to, aby inna osoba stała w linii ze ścieżką tarczy tnącej.**
7. **Przed rozpoczęciem obróbki elementu należy pozwolić, aby narzędzie pracowało przez chwilę bez obciążenia.** Należy zwrócić uwagę na ewentualne wibracje lub bicie osiowe, co może wskazywać na nieprawidłowe zamocowanie lub niedokładne wyważenie tarczy.
8. **Nie należy używać narzędzia do wykonywania rowków, wręgowania lub żłobkowania.**
9. **W razie zużycia wkładki stołu należy ją wymienić.**
10. **Jeśli popychacz nie jest używany, należy go schować.**
11. **Wszelkie wypadające sęki należy wybić z obrabianego elementu PRZED rozpoczęciem cięcia.**
12. **Pył powstający w czasie pracy może zawierać substancje chemiczne powodujące nowotwory, wady wrodzone lub inne zaburzenia płodności.** Poniżej przedstawiono kilka przykładów tego typu substancji chemicznych:
 - ołów w materiałach pomalowanych farbami zawierającymi ołów oraz
 - arsen i chrom zawarty w impregnowanym drewnie.

Stopień narażenia na te substancje zależy od tego, jak często wykonywane są tego typu prace. Aby zmniejszyć zagrożenie na powyższe substancje chemiczne: należy pracować w miejscach dobrze wentylowanych i używać sprawdzonych zabezpieczeń, takich jak maski przeznaczone do odfiltrowywania mikroskopijnych cząstek.

INSTALACJA

Pozycjonowanie stołowej pilarki tarczowej

- **Rys.1:** 1. Średnica otworu 8 mm
- **Rys.2:** 1. Podkładka standardowa 6 mm 2. Wkręt do drewna nr 10, długość min. 40 mm
- **Rys.3:** 1. Podkładka standardowa 6 mm 2. Śruba mocująca 6 mm i nakrętka — dokręcić w sposób pewny

Stołową pilarkę tarczową należy ustawić w dobrze oświetlonym miejscu i na płaskiej powierzchni zapewniającej dobre podparcie i utrzymanie równowagi. Należy ją zamontować w miejscu zapewniającym swobodną obsługę obrabianych elementów o wybranej wielkości. Stołową pilarkę tarczową należy zamocować do stołu warsztatowego lub stojaka do pilarki stołowej za pomocą czterech wkrętów lub śrub, przykręcając je w otworach znajdujących się w dolnej części pilarki. Podczas mocowania stołowej pilarki tarczowej do stołu warsztatowego należy pamiętać, że w górnej części stołu znajduje się otwór takiej samej wielkości, jak otwór w dolnej części stołowej pilarki tarczowej, przez który mogą przedostawać się trociny. Jeśli w czasie pracy stołowa pilarka tarczowa ma tendencję do przechylania się, ślizgania lub przesuwania, stół warsztatowy lub stojak do pilarki stołowej należy zamocować do podłogi.

Przechowywanie akcesoriów

- **Rys.4:** 1. Przyrząd do ukosowania
- **Rys.5:** 1. Prowadnica wzdłużna 2. Popychacz 3. Zapadki zapobiegające odrzutowi

Przyrząd do ukosowania, tarczę tnącą i klucze można przechowywać po lewej stronie podstawy. Prowadnicę wzdłużną, popychacz i zapadki zapobiegające odrzutowi można przechowywać po prawej stronie podstawy.

OPIS DZIAŁANIA

▲PRZESTROGA: Przed rozpoczęciem regulacji lub sprawdzeniem działania narzędzia należy upewnić się, że jest ono wyłączone i nie podłączone do sieci.

Osłona tarczy

▲OSTRZEŻENIE: Nigdy nie należy modyfikować lub zdejmować osłony tarczy. Odsłonięta w wyniku modyfikacji tarcza może spowodować poważne obrażenia ciała podczas użytkowania.

▲OSTRZEŻENIE: Nie wolno używać narzędzia, jeśli osłona tarczy jest uszkodzona, niesprawa lub zdemontowana. Użytkowanie narzędzia z uszkodzoną, niesprawną lub zdemontowaną osłoną może spowodować poważne obrażenia ciała.

► **Rys.6:** 1. Osłona tarczy 2. Osłona dodatkowa

Podczas cięcia należy popychać obrabiany element w kierunku tarczy, tak aby dolna krawędź osłony dodatkowej stykała się ze stołem głównym. Podczas przesuwania obrabianego elementu osłona tarczy i osłona dodatkowa przemieszczają się wzdłuż krawędzi tego elementu.

Ze względów bezpieczeństwa osłona tarczy i osłona dodatkowa zawsze muszą być w dobrym stanie. Jakiegokolwiek nieprawidłowości w działaniu osłony tarczy i osłony dodatkowej należy niezwłocznie usuwać. Jeśli obrabiany element nie jest przesuwany, należy upewnić się, czy osłona tarczy i osłona dodatkowa są opuszczone, a dolna krawędź osłony dodatkowej styka się ze stołem głównym.

Jeśli elementy przezroczyste zabrudzą się albo zostaną pokryte pyłem w takim stopniu, że tarcza i/ lub obrabiany element nie będą dobrze widoczne, należy odłączyć narzędzie od zasilania i starannie wyczyścić te elementy wilgotną ściereczką. Nie należy stosować rozpuszczalników ani środków czyszczących na bazie benzyny, ponieważ może to spowodować uszkodzenie elementów. Jeśli elementy przezroczyste przebarwią się wraz z upływem czasu lub pod wpływem promieniowania UV, należy skontaktować się z punktem serwisowym narzędzi Makita w celu zamówienia nowych elementów. **NIE NALEŻY MODYFIKOWAĆ ANI ZDEJMOWAĆ OSŁONY TARCZY I OSŁONY DODATKOWEJ.**

Regulacja głębokości frezowania

► **Rys.7:** 1. Uchwyt

Głębokość cięcia można regulować, obracając uchwyt. Aby podnieść tarczę tnącą, należy obrócić uchwyt w prawo, aby ją opuścić — w lewo.

WSKAZÓWKA: W przypadku cięcia cienkich materiałów należy ustawić płytką głębokość, co pozwoli uzyskać lepszą jakość cięcia.

Regulacja kąta cięcia w pionie

► **Rys.8:** 1. Dźwignia blokady 2. Wskaźnik 3. Pokrętło
Należy poluzować dźwignię blokady, przesuwając ją w lewo i obrócić pokrętło, tak aby ustawić wybrany kąt (0° – 45°). Kąt cięcia w pionie jest wskazywany za pomocą wskaźnika.
Po uzyskaniu wymaganego kąta należy dokręcić dźwignię blokady, przesuwając ją w prawo, aby zabezpieczyć ustawienie.

▲PRZESTROGA: Po zakończeniu regulacji kąta cięcia w pionie należy upewnić się, czy dźwignia blokady została dokręcona w sposób pewny.

Regulacja ograniczników

► **Rys.9:** 1. Śruba regulacyjna 90° 2. Śruba regulacyjna 45°

► **Rys.10**

Narzędzie jest wyposażone w ograniczniki pod kątem 90° i 45° do powierzchni stołu. Aby sprawdzić i wyregulować ograniczniki, należy wykonać następujące czynności:

Przesunąć pokrętło do oporu, obracając je. Położyć ekierkę na stole i sprawdzić, czy tarcza tnąca znajduje się pod kątem 90° lub 45° do powierzchni stołu. Aby wyregulować ograniczniki, jeśli tarcza tnąca jest ustawiona pod kątem pokazanym na Rys. A, należy przekręcić śruby regulacyjne w prawo; jeśli jest ustawiona pod kątem pokazanym na Rys. B, przekręcić śruby regulacyjne w lewo.

Po zakończeniu regulacji ograniczników ustawić tarczę tnącą pod kątem 90° do powierzchni stołu. Następnie wyregulować wskaźnik, tak aby jego prawa krawędź była w linii z podziałką 0° .

► **Rys.11:** 1. Wskaźnik

Działanie przełącznika

► **Rys.12:** 1. Przełącznik

▲PRZESTROGA: Przed rozpoczęciem pracy należy włączyć i wyłączyć narzędzie.

Aby uruchomić narzędzie, należy nacisnąć przycisk włączenia (I).

Aby je zatrzymać, należy nacisnąć przycisk wyłączenia (O).

Prowadnica pomocnicza (prowadnica wzdłużna)

► **Rys.13:** 1. Śruba zaciskowa 2. Prowadnica wzdłużna 3. Prowadnica pomocnicza 4. Reling

Jeśli prowadnica wzdłużna zbliży się do tarczy tnącej, należy użyć prowadnicy pomocniczej, aby podprzeć obrabiany element. Poluzować śrubę zaciskową i odsunąć prowadnicę pomocniczą od relingu. Zamocować prowadnicę pomocniczą w sposób przedstawiony na rysunku i dokręcić śruby zaciskowe.

Jeśli prowadnica wzdłużna jest zamocowana po lewej stronie tarczy tnącej, należy zmienić pozycję prowadnicy pomocniczej. Wykręcić śruby zaciskowe, wymontować prowadnicę pomocniczą i reling z prowadnicy wzdłużnej. Luźno zamocować reling po prawej stronie prowadnicy wzdłużnej, używając wykręconych śrub zaciskowych. Następnie zamocować prowadnicę pomocniczą i dokręcić śruby zaciskowe.

► **Rys.14:** 1. Prowadnica wzdłużna 2. Prowadnica pomocnicza 3. Śruba zaciskowa 4. Reling

Stół dodatkowy (P)

► **Rys.15:** 1. Dźwignia

► **Rys.16:** 1. Stół dodatkowy (P)

To narzędzie jest wyposażone w stół dodatkowy (P) znajdujący się po prawej stronie stołu głównego. Aby użyć stołu dodatkowego (P), należy podnieść obie dźwignie z przodu po prawej stronie, wyciągnąć stół (P) całkowicie i opuścić dźwignie, aby je zamocować. W przypadku korzystania ze stołu dodatkowego (P) należy umieścić na nim płytę z podziałką (po wcześniejszym poluzowaniu za pomocą śrubokręta znajdującej się w niej śruby), tak aby dopasować ją do płyty z podziałką na stole głównym.

► **Rys.17:** 1. Płyta z podziałką 2. Śruba

Stół dodatkowy (tył)

Akcesoria opcjonalne

► **Rys.18:** 1. Stół dodatkowy (tył) 2. Śruba

Aby użyć stołu dodatkowego (tył), należy poluzować śruby pod stołem po lewej i prawej stronie i wyciągnąć stół do tyłu na wymaganą długość. Po ustawieniu żądanej długości dokręcić śruby w sposób pewny.

WSKAZÓWKA: W przypadku korzystania ze stołu dodatkowego (tył) w czasie, gdy używana jest prowadnica wzdłużna, należy wyciągnąć stół dodatkowy (tył) na ponad 50 mm, tak aby nie uderzał o górny koniec prowadnicy wzdłużnej.

Stół dodatkowy (L)

Akcesoria opcjonalne

► **Rys.19:** 1. Śruba 2. Stół dodatkowy (L)

Stół dodatkowy (L) (wyposażenie opcjonalne) można zamontować po lewej stronie stołu, tak aby zyskać szerszą powierzchnię.

Zapadki zapobiegające odrzutowi

⚠OSTRZEŻENIE: Podczas operacji cięcia przelotowego należy używać zapadek zapobiegających odrzutowi, o ile to tylko możliwe. Pozwoli to uniknąć popchnięcia materiału w stronę operatora w czasie odrzutu, co mogłoby doprowadzić do poważnych obrażeń ciała.

► **Rys.20:** 1. Zapadka zapobiegająca odrzutowi 2. Zacisk

Aby usunąć zapadki zapobiegające odrzutowi z narzędzia, należy poluzować zacisk u dołu zapadek zapobiegających odrzutowi, a następnie je wyciągnąć. Aby je założyć, należy wykonać czynności procedury usuwania w odwrotnej kolejności.

MONTAŻ

⚠PRZESTROGA: Przed wykonywaniem jakichkolwiek prac przy narzędziu należy upewnić się, że jest ono wyłączone i odłączone od zasilania.

Zakładanie i zdejmowanie tarczy tnącej

⚠PRZESTROGA: Przed przystąpieniem do wymiany tarczy tnącej zawsze należy się upewnić, że narzędzie jest wyłączone i odłączone od zasilania.

⚠PRZESTROGA: Do zakładania lub zdejmowania tarczy tnącej należy używać wyłącznie dostarczonego klucza firmy Makita. Niezastosowanie się do tego zalecenia może spowodować nadmierne lub niedostateczne dokręcenie śruby sześciokątnej. Może to spowodować obrażenia ciała.

⚠PRZESTROGA: Należy użyć opisanej poniżej tarczy tnącej. Nie należy używać tarcz tnących, które nie odpowiadają parametrom podanym w niniejszej instrukcji.

Średnica	Grubość tarczy	Nacięcie
260 mm	Mniej niż 1,9 mm	Więcej niż 2,1 mm

1. Należy poluzować śrubę we wkładce stołu i wyjąć ją.
 2. Przytrzymać kołnierz zewnętrzny kluczem uchylnym i poluzować nakrętkę sześciokątną za pomocą klucza, obracając ją w lewo. Następnie wyjąć kołnierz zewnętrzny.
- **Rys.21:** 1. Klucz uchylny 2. Nakrętka sześciokątna 3. Klucz

3. Założyć kołnierz wewnętrzny, pierścień, tarczę tnącą, kołnierz zewnętrzny i nakrętkę sześciokątną na trzpień, upewniając się, że zęby tarczy są skierowane w dół z przodu stołu. Nakrętkę sześciokątną zawsze należy montować, tak aby jej strona z wgłębieniem skierowana była do kołnierza zewnętrznego.

► **Rys.22:** 1. Kołnierz wewnętrzny 2. Pierścień 3. Tarcza tnąca 4. Kołnierz zewnętrzny 5. Nakrętka sześciokątna

⚠PRZESTROGA: Należy upewnić się, czy tarcza tnąca została zamontowana, tak aby zęby ustawione były w kierunku cięcia (obrotów).

⚠PRZESTROGA: Przed zamontowaniem tarczy tnącej należy sprawdzić średnicę otworu na trzpień tarczy. Zawsze należy używać pierścienia dopasowanego do otworu na trzpień tarczy tnącej, jaka będzie używana. Wielkość dostarczonych pierścieni różni się w zależności od kraju.

- W przypadku narzędzia z tarczą tnącą o średnicy otworu wynoszącej 30 mm dostarczany jest pierścień o średnicy zewnętrznej wynoszącej 30 mm.
- W przypadku narzędzia z tarczą tnącą o średnicy otworu wynoszącej 25,4 mm i 25 mm dostarczone są pierścienie srebrny i czarny. Pierścienia srebrnego należy użyć dla tarczy tnącej o średnicy otworu wynoszącej 25,4 mm, a czarnego pierścienia dla tarczy tnącej o średnicy otworu wynoszącej 25 mm.

4. Aby zamocować tarczę tnącą, należy przytrzymać zewnętrzny kołnierz za pomocą klucza uchylnego, a następnie dokręcić nakrętkę sześciokątną, przekręcając ją w prawo za pomocą klucza. **UPEWNIĆ SIĘ, ŻE NAKRĘTKA SZEŚCIOKĄTNA ZOSTAŁA PRAWIDŁOWO DOKRĘCONA.**

► **Rys.23:** 1. Klucz uchylny 2. Klucz

⚠ PRZESTROGA: Z powierzchni kołnierza należy usuwać zanieczyszczenia i inne przylegające materiały; mogą one powodować ślizganie się tarczy.

⚠ PRZESTROGA: Należy ostrożnie przytrzymać nakrętkę sześciokątną za pomocą klucza. W przypadku ześlizgnięcia się chwytu klucz może spaść z nakrętki sześciokątnej, a dłoń może uderzyć o ostre krawędzie tarczy.

5. Należy zamocować wkładkę stołu za pomocą śruby.

Regulacja klina rozszczepiającego

⚠ PRZESTROGA: Jeśli tarcza tnąca i klin rozszczepiający nie będą prawidłowo ustawione, w czasie pracy może dojść do niebezpiecznego zakleszczenia. Należy upewnić się, że są one prawidłowo ustawione. Użycie narzędzia z nieprawidłowo ustawionym klinem rozszczepiającym może doprowadzić do poważnych obrażeń ciała.

⚠ PRZESTROGA: NIGDY nie należy korygować ustawień w czasie pracy narzędzia. Przed wprowadzeniem jakichkolwiek zmian należy odłączyć narzędzie od zasilania.

⚠ PRZESTROGA: Nie należy wyjmować klina rozszczepiającego.

► **Rys.24:** 1. Osłona tarczy 2. Klin rozszczepiający 3. Śruba

Pozycja klina rozszczepiającego jest ustawiona fabrycznie, tak aby tarcza tnąca i klin rozszczepiający znajdowały się w linii prostej. Jeśli jednak tarcza tnąca i klin rozszczepiający nie są ustawione w linii prostej, regulacja jest konieczna.

Należy poluzować śrubę we wkładce stołu i wyjąć ją ze stołu głównego. Poluzować śruby sześciokątne (B) i wyregulować część mocującą osłonę tarczy (podpora), tak aby klin rozszczepiający był ustawiony w linii za tarczą tnącą. Następnie należy dokręcić śruby sześciokątne (B), aby zamocować podporę i umieścić wkładkę stołu we właściwym miejscu.

► **Rys.25:** 1. Tarcza 2. Te dwa odstępy powinny być jednakowe. 3. Klin rozszczepiający 4. Śruby sześciokątne (B) 5. Śruby sześciokątne (A)

Odstęp pomiędzy klinem rozszczepiającym a zębem tarczy powinien wynosić około 4–5 mm. Należy poluzować śruby sześciokątne (A), wyregulować odpowiednio klin rozszczepiający i dokręcić śruby sześciokątne (A) w sposób pewny. Zamocować wkładkę stołu do stołu za pomocą śruby, a następnie przed rozpoczęciem cięcia sprawdzić, czy osłona tarczy działa w sposób płynny.

► **Rys.26:** 1. Klin rozszczepiający 2. Osłona tarczy 3. Odstęp 4 mm–5 mm

Montaż i demontaż prowadnicy wzdłużnej

► **Rys.27:** 1. Zaczep 2. Pokrętło 3. Szyna prowadząca

1. Należy zamocować zaczep na końcówce prowadnicy wzdłużnej do dalszej szyny prowadzącej stołu lub stołu dodatkowego (P), a następnie założyć i popchnąć prowadnicę wzdłużną do przodu, tak aby uchwyt prowadnicy połączył się z najbliższą położoną szyną prowadzącą.

2. Aby przesunąć prowadnicę wzdłużną w szynie prowadzącej na boki, należy przekręcić pokrętło w uchwycie prowadnicy do końca, bez ciągnięcia dźwigni na pokrętło.

Aby zamocować prowadnicę wzdłużną, należy do końca obrócić pokrętło w uchwycie prowadnicy.

3. Aby wymontować prowadnicę wzdłużną, należy pociągnąć dźwignię na pokrętło i obrócić pokrętło całkowicie do przodu, jednocześnie ciągnąc za dźwignię.

Aby sprawdzić, czy prowadnica wzdłużna jest ustawiona równoległe do tarczy tnącej, należy zamocować prowadnicę wzdłużną w odległości 2–3 mm od tarczy tnącej. Należy unieść tarczę na maksymalną wysokość. Jeden z zębów tarczy należy oznaczyć kredką. Zmierzyć odległość (A) i (B) pomiędzy prowadnicą wzdłużną a tarczą tnącą. Oba pomiary należy wykonać z odniesieniem do zęba oznaczonego kredką. Wyniki pomiarów powinny być jednakowe. Jeśli prowadnica wzdłużna nie jest ustawiona równoległe do tarczy tnącej, należy wykonać następujące czynności:

► **Rys.28:** 1. Podziałka

1. Ustawić prowadnicę wzdłużną w pozycji umożliwiającej przesunięcie.

2. Poluzować dwie śruby sześciokątne na prowadnicy wzdłużnej, używając udostępnionego klucza imbusowego.

► **Rys.29:** 1. Śruby sześciokątne

3. Wyregulować prowadnicę wzdłużną, tak aby była ustawiona równoległe do tarczy tnącej.

4. Obrócić pokrętło na prowadnicy wzdłużnej w dół w kierunku operatora.

5. Dokręcić dwie śruby sześciokątne na prowadnicy wzdłużnej.

► **Rys.30**

⚠ PRZESTROGA: Należy upewnić się, że prowadnica wzdłużna jest ustawiona równoległe do tarczy tnącej; w przeciwnym razie może dojść do niebezpiecznego odrzutu.

Jeśli nie można w sposób pewny zamocować prowadnicy wzdłużnej, należy ją wyregulować zgodnie z poniższą procedurą.

1. Należy umieścić prowadnicę wzdłużną na stole, a następnie obrócić pokrętło do połowy skoku (pozycja umożliwiająca ruch). Dokręcić śrubę (A), tak aby prowadnica wzdłużna została unieruchomiona. Następnie należy poluzować ją o 1/4 do 1/2 obrotu.

► **Rys.31:** 1. Prowadnica wzdłużna 2. Pozycja zwolnienia 3. Pozycja umożliwiająca ruch 4. Pozycja zablokowana

► **Rys.32:** 1. Prowadnica wzdłużna 2. Pozycja umożliwiająca ruch 3. Śruba (B) 4. Śruba (A)

2. Dokręcić śrubę (B) do końca, a następnie poluzować ją o 2 pełne obroty.

- Zablokować prowadnicę wzdłużną, przekręcając pokrętko na uchwycie prowadnicy do końca (pozycja zablokowana).
- Należy upewnić się, czy prowadnicę wzdłużną można zamontować i wymontować w pierwotnym położeniu (pozycja zwolnienia).
- Należy upewnić się, czy prowadnicę wzdłużną można przesuwac swobodnie, bez bicia osiowego, kiedy pokrętko jest ustawione w połowie skoku.

UWAGA: Należy zachować ostrożność, aby nie dokręcić śrub bardziej, niż to określono w powyższych instrukcjach. W przeciwnym razie może dojść do uszkodzenia mocowanych części.

Należy ustawić prowadnicę wzdłużną, tak aby przylegała do bocznej strony tarczy tnącej. Należy się upewnić, czy linia wskaźnikowa na uchwycie prowadnicy wskazuje 0 na podziałce. Jeśli linia wskaźnikowa nie wskazuje 0 na podziałce, należy poluzować śrubę na płycie z podziałką i wyregulować ją.

► **Rys.33:** 1. Linia wskaźnikowa 2. Śruby

Podłączanie odkurzacza

W celu usunięcia zanieczyszczeń można podłączyć narzędzie do odkurzacza lub pochłaniacza pyłu firmy Makita.

► **Rys.34**

OBSŁUGA

⚠ PRZESTROGA: Jeśli istnieje ryzyko, że dłonie i palce znajdują się blisko tarczy tnącej, zawsze należy używać „elementów pomocniczych”, takich jak popychacze i dociskacze.

⚠ PRZESTROGA: Zawsze należy przytrzymywać obrabiany element na stole za pomocą prowadnicy wzdłużnej lub przyrządu do ukosowania. Nie należy go zginać ani obracać w czasie przesuwania. Jeśli obrabiany element będzie zgięty lub obrócony, może dojść do niebezpiecznego odrzutu.

⚠ PRZESTROGA: NIGDY nie należy wyciągać obrabianego elementu, jeśli tarcza tnąca nadal pracuje. Jeśli konieczne jest wyciągnięcie obrabianego elementu przed zakończeniem cięcia, najpierw należy wyłączyć narzędzie, w sposób pewny przytrzymując obrabiany element. Przed wyjęciem obrabianego elementu należy poczekać, aż tarcza tnąca całkowicie się zatrzyma. W przeciwnym razie może dojść do niebezpiecznego odrzutu.

⚠ PRZESTROGA: NIGDY nie należy wyciągać ciętego materiału, jeśli tarcza tnąca nadal pracuje.

⚠ PRZESTROGA: NIGDY nie należy umieszczać rąk lub palców na ścieżce tarczy tnącej. Szczególną ostrożność należy zachować podczas cięcia pod kątem w pionie.

⚠ PRZESTROGA: Zawsze należy w sposób pewny zamocować prowadnicę wzdłużną; w przeciwnym razie może dojść do niebezpiecznego odrzutu.

⚠ PRZESTROGA: Podczas cięcia małych lub wąskich elementów obrabianych zawsze należy używać „elementów pomocniczych”, takich jak popychacze i dociskacze.

Elementy pomocnicze

Do „elementów pomocniczych” należą popychacze, dociskacze i prowadnica pomocnicza. Należy ich używać, aby w sposób pewny wykonywać bezpieczne cięcia bez konieczności kontaktu jakiegokolwiek części ciała operatora z tarczą tnącą.

Dociskacz

► **Rys.35:** 1. Czoło/krawędź równolegle 2. Uchwyt 3. Wkręt do drewna 4. Sklejk

Należy użyć 19-milimetrowego kawałka sklejk. Uchwyt powinien znajdować się na środku kawałka sklejk. Należy zamocować go za pomocą kleju i wkrętów do drewna w pokazany sposób. Do sklejk zawsze należy przykleić niewielki kawałek drewna (9,5 mm x 8 mm x 50 mm), aby uniknąć stępienia tarczy tnącej w sytuacji, gdy operator przypadkowo przetnie dociskacz. (W dociskaczu nigdy nie powinno być gwoździ).

Prowadnica pomocnicza

► **Rys.36:** 1. Czoło/krawędź równolegle

Prowadnicę pomocniczą należy wykonać z kawałków sklejk o wymiarach 9,5 mm i 19 mm.

Cięcie wzdłużne

⚠ PRZESTROGA: Podczas wykonywania cięcia wzdłużnego należy usunąć przyrząd do ukosowania ze stołu.

⚠ PRZESTROGA: W przypadku cięcia długich lub dużych elementów obrabianych zawsze należy zapewnić odpowiednie podparcie pod stołem. Długa deska NIE MOŻE przesuwac się ani przemieszczać na stole. Spowoduje to zakleszczenie tarczy tnącej i zwiększy prawdopodobieństwo odrzutu i obrażeń ciała. Podpora musi mieć taką samą wysokość, jak stół.

⚠ PRZESTROGA: Nie należy wykonywać cięcia wzdłużnego pod kątem po stronie ukosowania tarczy tnącej.

1. Należy skorygować głębokość cięcia, tak aby była nieco większa niż grubość obrabianego elementu.

► **Rys.37**

2. Należy umieścić prowadnicę wzdłużną na odpowiedniej szerokości cięcia wzdłużnego i zablokować ją, obracając pokrętko. Przed rozpoczęciem cięcia wzdłużnego należy upewnić się, czy tylna część prowadnicy wzdłużnej jest pewnie zamocowana. Jeśli nie jest odpowiednio zamocowana, należy wykonać czynności opisane w sekcji „Montaż i demontaż prowadnicy wzdłużnej”.

3. Należy włączyć narzędzie i delikatnie przesunąć obrabiany element w stronę tarczy tnącej wraz z prowadnicą wzdłużną.

Jeśli szerokość cięcia wzdłużnego wynosi 150 mm i więcej, należy ostrożnie przesunąć obrabiany element prawą ręką. Lewą ręką należy przytrzymać obrabiany element w miejscu, dociskając go do prowadnicy wzdłużnej.

► **Rys.38**

Jeśli szerokość cięcia wzdłużnego wynosi od 65 mm do 150 mm, należy przesunąć obrabiany element za pomocą popychacza.

► **Rys.39:** 1. Popychacz

Jeśli szerokość cięcia wzdłużnego jest mniejsza niż 65 mm, nie można używać popychacza, ponieważ uderzy on o osłonę tarczy. Należy wówczas użyć prowadnicy pomocniczej i dociskacza. Zamocować prowadnicę pomocniczą do prowadnicy wzdłużnej, używając dwóch zacisków „C”. Obrabiany element należy przesuwac ręką, aż jego koniec znajdzie się w odległości około 25 mm od przedniej krawędzi stołu.

► Rys.40

Dalej element należy przesuwac za pomocą popychacza w górnej części prowadnicy pomocniczej, aż do zakończenia cięcia.

► Rys.41: 1. Dociskacz 2. Prowadnica pomocnicza

Cięcie poprzeczne

⚠ PRZESTROGA: Podczas wykonywania cięcia poprzecznego należy usunąć prowadnicę wzdłużną ze stołu.

⚠ PRZESTROGA: W przypadku cięcia długich lub dużych elementów obrabianych zawsze należy zapewnić odpowiednie podparcie po bokach stołu. Podpora musi mieć taką samą wysokość, jak stół.

⚠ PRZESTROGA: Nigdy nie należy zbliżać rąk do ścieżki tarczy.

Przyrząd do ukosowania

► Rys.42: 1. Cięcie poprzeczne 2. Ukosowanie 3. Cięcie pod kątem w pionie 4. Ukosowanie złożone (kąty)

Za pomocą przyrządu do ukosowania można wykonać 4 typy cięć pokazanych na rysunku.

⚠ PRZESTROGA: Należy ostrożnie zamocować pokrętko do przyrządu do ukosowania.

⚠ PRZESTROGA: Należy unikać „pelzania” obrabianego elementu i przyrządu, przytrzymując uchwyt w sposób pewny, szczególnie podczas cięcia pod kątem.

⚠ PRZESTROGA: NIGDY nie należy przytrzymywać ani chwytac za część obrabianego elementu, która ma zostać odcięta.

⚠ PRZESTROGA: Zawsze należy wyregulować odległość pomiędzy kątem przyrządu do ukosowania a tarczą tnącą, tak aby nie przekraczała 15 mm.

Ogranicznik przyrządu do ukosowania

► Rys.43: 1. Śruba ogranicznika 2. Mała płytką 3. Pokrętko

Przyrząd do ukosowania jest wyposażony w ograniczniki cięcia w poziomie pod kątem 90°, 45° w prawo i w lewo, co umożliwia szybkie ustawienie kątów.

Aby ustawić kąt cięcia, należy poluzować pokrętko przyrządu do ukosowania.

Należy unieść małą płytkę przyrządu do ukosowania, aby swobodnie dokonać ustawień. Ustawić przyrząd do ukosowania pod wymaganym kątem cięcia. Umieścić małą płytkę przyrządu do ukosowania w oryginalnym położeniu i dokręcić pokrętko w sposób pewny, obracając je w prawo.

Użycie przyrządu do ukosowania

► Rys.44: 1. Wgłębienie 2. Przyrząd do ukosowania 3. Pokrętko

Należy wsunąć przyrząd do ukosowania do szerokich rowków w stole. Poluzować pokrętko przyrządu i ustawić właściwy kąt (od 0° do 60°). Ustawić materiał, tak aby przylegał do prowadnicy i delikatnie przesunąć do przodu w kierunku tarczy tnącej.

Przyrząd pomocniczy (przyrząd do ukosowania)

► Rys.45: 1. Przyrząd pomocniczy

Przyrząd pomocniczy w przyrządzie do ukosowania zapobiega biciu osiowemu obrabianego elementu. Należy poluzować śrubę przyrządu do ukosowania i wyregulować położenie przyrządu pomocniczego.

Przenoszenie narzędzia

► Rys.46

Należy upewnić się, czy narzędzie jest odłączone od zasilania.

Narzędzie należy przenosić, chwytając za część pokazaną na rysunku.

⚠ PRZESTROGA: Przed przeniesieniem narzędzia należy zablokować wszystkie ruchome elementy.

⚠ PRZESTROGA: Przed przeniesieniem narzędzia należy upewnić się, czy osłona tarczy i osłona dodatkowa są opuszczone, a dolna krawędź osłony dodatkowej styka się ze stołem głównym.

KONSERWACJA

⚠ PRZESTROGA: Przed przystąpieniem do przeglądu narzędzia lub jego konserwacji upewnić się, że jest ono wyłączone i odłączone od zasilania.

UWAGA: Nie stosować benzyny, rozpuszczalników, alkoholu itp. środków. Mogą one powodować odbarwienia, odkształcenia lub pęknięcia.

Czyszczenie

Co pewien czas należy usunąć trociny i wióry. Ostrożnie oczyścić osłonę tarczy oraz części ruchome znajdujące się wewnątrz stołowej pilarki tarczowej.

Podczas usuwania trocin nagromadzonych pod tarczą tnącą należy wyjąć wkładkę stołu i za pomocą odpylacza powietrznego wydmuchać trociny ze złącza odkurzacza.

Smarowanie

Aby utrzymać stołową pilarkę tarczową w bardzo dobrym stanie i zapewnić jej jak najdłuższą trwałość, należy co jakiś czas nanosić olej lub smar na części ruchome i obracające się.

Punkty smarowania:

- Gwintowany wałek do podnoszenia tarczy tnącej
- Zawias do obrotu ramy
- Wałki prowadzące do podnoszenia w silniku
- Przekładnia do podnoszenia tarczy tnącej
- Szyny prowadzące prowadnicy wzdłużnej
- Wałek dźwigni blokujących stołu dodatkowego (P)
- Część przesuwna stołu dodatkowego (P)

Wymiana szczotek węglowych

Systematycznie sprawdzać szczotki węglowe.

Wymieniać je, gdy ich zużycie sięga oznaczenia limitu. Szczotki węglowe powinny być czyste, aby można je było swobodnie wsunąć do uchwytów. Obie szczotki węglowe należy wymieniać równocześnie. Należy używać wyłącznie identycznych szczotek węglowych.

► **Rys.47:** 1. Oznaczenie limitu

1. Należy schować stół dodatkowy (P). Wymontować prowadnicę wzdłużną, jeśli jest schowana.

2. Poluzować dźwignię blokującą i przekręcić pokrętko, tak aby głowica pilarki była pochylona pod kątem 45° cięcia w pionie. Następnie należy dokręcić dźwignię blokady.

► **Rys.48:** 1. Prowadnica wzdłużna 2. Dźwignia blokady 3. Pokrętko

3. Ustawić narzędzie na jego stronie.

► **Rys.49**

4. Należy poluzować śruby w płycie dolnej i wyjąć ją.

5. Poluzować pokrywki uchwytu szczotek za pomocą śrubokrętu i wyjąć zużyte szczotki węglowe.

► **Rys.50:** 1. Płyta dolna 2. Pokrywka uchwytu szczotki 3. Śrubokręt

6. Włożyć nowe szczotki węglowe i zamocować pokrywki uchwytu szczotek.

7. Zamocować płytę dolną i ostrożnie położyć narzędzie na jego dolnej części. W razie wymontowania prowadnicy wzdłużnej należy ją schować.

W celu zachowania odpowiedniego poziomu BEZPIECZEŃSTWA i NIEZAWODNOŚCI produktu wszelkie naprawy i różnego rodzaju prace konserwacyjne lub regulacje powinny być przeprowadzane przez autoryzowany lub fabryczny punkt serwisowy narzędzi Makita, zawsze z użyciem oryginalnych części zamiennych Makita.

AKCESORIA OPCJONALNE

⚠ PRZESTROGA: Zaleca się stosowanie wymiennych akcesoriów i przystawek razem z narzędziem Makita opisanym w niniejszej instrukcji.

Stosowanie innych akcesoriów lub przystawek może być przyczyną obrażeń ciała. Akcesoria lub przystawki należy wykorzystywać tylko zgodnie z ich przeznaczeniem.

W razie potrzeby wszelkiej pomocy i szczegółowych informacji na temat niniejszych akcesoriów udzielią Państwu lokalne punkty serwisowe Makita.

- Tarcze tnące ze stali z ostrzami z węglików
- Stół dodatkowy (L)
- Stół dodatkowy (tył)
- Prowadnica wzdłużna
- Przyrząd do ukosowania
- Klucz uchylny 13-22
- Klucz 19
- Klucz imbusowy 5
- Łącznik (do podłączenia pochłaniacza pyłu)
- Zestaw stojaka stołu

Należy zapoznać się z instrukcją obsługi stojaka do pilarki stołowej, która jest udostępniona wraz ze stojakiem jako wyposażenie opcjonalne.

WSKAZÓWKA: Niektóre pozycje znajdujące się na liście mogą być dołączone do pakietu narzędziowego jako akcesoria standardowe. Mogą to być różne pozycje, w zależności od kraju.

RÉSZLETES LEÍRÁS

Típus:		2704N
Főtengelyfurat (Országspecifikus)		30 mm / 25,4 mm
Fűrészárca átmérője		260 mm
Max. vágóteljesítmény	0° ferdevágási szög	93 mm
	45° ferdevágási szög	64 mm
Üresjárat fordulatszám		5 200 min ⁻¹
Asztalméret (H x SZ)	jobb (R) és hátsó segédasztalokkal	1 045 mm x 1 066 mm (asztalok meghosszabbítva) 665 mm x 753 mm (asztalok összezárva)
	jobb (R) segédasztallal hátsó segédasztal nélkül	567 mm x 1 066 mm (asztal meghosszabbítva) 567 mm x 753 mm (asztal összezárva)
A méret (H x SZ x M) asztal(ok) kal nem bővítte	jobb (R) és hátsó segédasztalokkal	715 mm x 753 mm x 483mm
	jobb (R) segédasztallal hátsó segédasztal nélkül	665 mm x 753 mm x 483 mm
Nettó tömeg		35,2 kg - 37,0 kg
Biztonsági osztály		▣/II

- Folyamatos kutató- és fejlesztőprogramunk eredményeként az itt felsorolt tulajdonságok figyelmeztetés nélkül megváltozhatnak.
- A tulajdonságok országról országra különbözhetnek.
- A súly a felszerelt tartozék(ok)tól függően változhat. Az EPTA 01/2014 eljárás szerint meghatározott legnehezebb, illetve legkönnyebb kombináció a táblázatban látható.

Szimbólumok

A következőkben a berendezésen használt jelképek láthatók. A szerszám használata előtt bizonyosodjon meg arról hogy helyesen értelmezi a jelentésüket.



Olvassa el a használati utasítást.



KETTŐS SZIGETELÉS



Viseljen védőszemüveget.



Ne tegye a kezét vagy az ujjait a tárcsa közelébe.



Csak EU-tagállamok számára
Az elektromos berendezéseket ne dobja a háztartási szeméttel! A használt elektromos és elektronikus berendezésekről szóló európai uniós irányelv és annak a nemzeti jogba való átültetése szerint az elhasznált elektromos berendezéseket külön kell gyűjteni, és környezetbarát módon újra kell hasznosítani.

Rendeltetés

A szerszám fa vágására használható. Ezzel az eszközzel egyenes vágás, ferde vágás és gérvágás lehetséges. Ezt az eszközt átmenő vágásra tervezték.

Tápfeszültség

A szerszámot kizárólag olyan egyfázisú, váltóáramú hálózatra szabad kötni, amelynek feszültsége meg egyezik az adattábláján szereplő feszültséggel. A szerszám kettős szigetelésű, ezért földelővezeték nélküli aljzatról is működtethető.

Zaj

A tipikus A-súlyozású zajszint, a EN62841 szerint meghatározva:
Hangnyomásszint (L_{pA}): 94 dB(A)
Hangteljesítményszint (L_{WA}): 107 dB (A)
Bizonytalanság (K): 3 dB(A)

FIGYELMEZTETÉS: Viseljen fülvédőt!

EK Megfelelőségi nyilatkozat

Csak európai országokra vonatkozóan

Az EK-megfelelőségi nyilatkozat az útmutató „A” mellékletében található.

BIZTONSÁGI FIGYELMEZTETÉS

A szerszámgépekre vonatkozó általános biztonsági figyelmeztetések

▲ FIGYELMEZTETÉS: Olvassa el a szerszámgéphez mellékelt összes biztonsági figyelmeztetést, utasítást, illusztrációt és a műszaki adatokat. A következőkben leírt utasítások figyelmen kívül hagyása elektromos áramütést, tüzet és/vagy súlyos sérülést eredményezhet.

Őrizzen meg minden figyelmeztetést és utasítást a későbbi tájékozódás érdekében.

A figyelmeztetésekből szereplő "szerszámgép" kifejezés az Ön hálózatról (vezetékes) vagy akkumulátorról (vezeték nélküli) működtetett szerszámgépére vonatkozik.

Biztonsági utasítások az asztali fűrészekhez

A fűrész tárcsavédővel kapcsolatos figyelmeztetések

- 1. Tartsa a fűrész tárcsavédőket a helyükön. A fűrész tárcsavédőknek a helyükön kell lenniük működőképes állapotban és helyesen felszerelve.** A laza, sérült vagy nem megfelelően működő fűrész tárcsavédőt meg kell javítani vagy ki kell cserélni.
- 2. Ellenőrizze, hogy a fűrész tárcsa nem ér-e a fűrész tárcsavédőhöz, a hasítókéshoz vagy a munkadarabhoz, mielőtt bekapcsolja a kapcsolót.** Az ilyen tárgyak véletlen érintkezése a fűrész tárcsával veszélyes állapotot okozhat.
- 3. A hasítókést a jelen használati útmutatóban leírtak szerint állítsa be.** A helytelen távolságbeállítás, elhelyezés és illesztés azt eredményezheti, hogy a hasítókések hatástalan lesz a visszarúgások valószínűségének csökkentésében.
- 4. A hasítókések és a visszarúgás ellenes rögzítőkampók megfelelő működéséhez azoknak kapcsolatba kell kerülniük a munkadarabbal.** A hasítókések és a visszarúgás ellenes rögzítőkampók nem hatékonyak olyan munkadarabok vágásánál, amelyek túl rövidke ahhoz, hogy ne kerüljenek kapcsolatba a hasítókéssel és visszarúgás ellenes rögzítőkampókkal. Ilyenkor a visszarúgást nem lehet megakadályozni a hasítókéssel és visszarúgás ellenes rögzítőkampókkal.
- 5. Használja a megfelelő fűrész tárcsát a hasítókéshöz.** A hasítókések megfelelő működéséhez a fűrész tárcsa átmérőjének meg kell egyeznie a megfelelő hasítókéssel, és a fűrész tárcsa testének vékonyabbnak kell lennie a hasítókések vastagságánál, és a fűrész tárcsa vágási szélességének nagyobbannak kell lennie a hasítókések vastagságánál.

Vágási eljárások figyelmeztetései

- 1. ▲ VESZÉLY: Soha ne tegye az ujjait vagy a kezét a fűrész tárcsa közelébe vagy azzal egy vonalba.** Pillanatnyi figyelmetlenség vagy egy megcsúszás a kezét a fűrész tárcsa felé irányíthatja, és súlyos személyi sérülést okozhat.

- 2. A fűrész tárcsára a munkadarabot csak a forgás irányának ellenébe tolja be.** Ha a munkadarabot ugyanabba az irányba tolja, mint amerre a fűrész tárcsa forog az asztal felett, az azt eredményezheti, hogy a fűrész a munkadarabot és a kezét a fűrész tárcsába húzza.
- 3. Soha ne használja a gérvágót a munkadarab betolásához párhuzamos vágáskor, és soha ne használja a párhuzamvezetőt hosszítókőzőnek a gérvágóval történő vágáskor.** A munkadarab megvezetése egyidejűleg a párhuzamvezetővel és a gérvágóval növeli a fűrész tárcsa megszorulásának és visszarúgásának valószínűségét.
- 4. Párhuzamos vágáskor mindig alkalmazzon munkadarab előtöltő erőt a vezetőt és a fűrész tárcsa között.** Használjon nyomórudat, ha a vezető és a fűrész tárcsa közötti távolság kisebb, mint 150 mm, és használjon nyomótömböt, ha ez a távolság 50 mm-nél kisebb. A segédesszóközök a kezét biztonságos távolságban tartják a fűrész tárcsától.
- 5. Csak a gyártó által adott vagy az utasításoknak megfelelően kialakított nyomórudat használja.** Ez a nyomórúd biztosítja a kéz megfelelő távolságát a fűrész tárcsától.
- 6. Soha ne használjon megrongálódott vagy elvágott nyomórudat.** A megrongálódott nyomórúd eltörhet, és a keze a fűrész tárcsába csúszhat.
- 7. Ne végezzen semmilyen műveletet „szabad kézzel”.** Mindig használja vagy a párhuzamvezetőt vagy a gérvágót a munkadarab helyzetbe állításához és irányításához. A „szabad kézzel” azt jelenti, hogy a kezek használatával segíti vagy irányítja a munkadarabot a párhuzamvezető vagy a gérvágó helyett. A szabadkezi fűrészelés eltéréshez, beszoruláshoz és visszarúgáshoz vezet.
- 8. Soha ne érje el a fűrész tárcsát vagy ne nyúljon át felette.** Ha a munkadarabért nyúl, az a mozgó fűrész tárcsával történő véletlen érintkezéshez vezethet.
- 9. Biztosítson a hosszú és/vagy széles munkadarabokhoz segéd munkadarab-alátámasztást a fűrészasztal hátulján és/vagy oldalán, hogy megtartsa őket.** A hosszú és/vagy széles munkadarab hajlamos arra, hogy az asztal szélén elforduljon, ami az irányíthatóság elvesztését, a fűrész tárcsa beszorulását és visszarúgását okozza.
- 10. A munkadarab egyenletes ütemben haladjon. Ne hajlítsa meg vagy csavarja meg a munkadarabot.** Ha elakadás történik, azonnal kapcsolja ki a szerzámot, húzza ki a szerzámot, majd távolítsa el az elakadást. A fűrész tárcsa munkadarab okozta elakadás visszarúgást vagy a motor leállítását okozhatja.
- 11. Ne távolítsa el a levágott anyagokat, amíg a fűrész fut.** Az anyag csapdába eshet a vezető között vagy a fűrész tárcsa védőburkolatán belül, és a fűrész tárcsa az ujjait a fűrész tárcsába húzhatja. Kapcsolja ki a fűrész, és várjon, amíg a fűrész tárcsa megáll, mielőtt eltávolítaná az anyagot.
- 12. A 2 mm-es vastagságnál kisebb munkadarabok darabolásánál használjon kiegészítő vezetőt az asztallaphoz.** Egy vékony munkadarab párhuzamvezető alá ékelődhet, és visszarúgást okoz.

A visszarúgás okai és az ezzel kapcsolatos figyelmeztetések
A visszarúgás a munkadarab hirtelen reakciója a beszorult, elakadt fűrész tárcsának vagy a munkadarab a fűrész tárcsához képest rossz vágásvonalban van, vagy amikor a munkadarab egy része megszorul a fűrész tárcsa és a párhuzamvezető vagy más fix tárgy között.

Leggyakrabban a visszarúgás során a munkadarab felemelkedik az asztaltól a fűrész tárcsa hátsó részétől, és a kezelő felé mozog.

A visszarúgás a szerszám helytelen használatának és/vagy a hibás megmunkálási eljárásnak az eredménye, és az alább leírt óvintézkedések betartásával elkerülhető.

1. **Soha ne álljon közvetlenül egy vonalban a fűrész tárcsával.** Mindig a fűrész tárcsa azon oldalán helyezkedjen el, ahol a vezetőléccs is található. A visszarúgás során a munkadarab nagy sebességgel repül valaki felé, aki a fűrész tárcsa előtté és azzal egy vonalban áll.
2. **Soha ne nyúljon át a fűrész tárcsa felett vagy a hátuljához a munkadarab kihúzásához vagy a megmátasz táshoz.** Véletlen kapcsolat előfordulhat a fűrész tárcsával vagy a visszarúgás behúzatja az ujjait a fűrész tárcsára.
3. **Soha ne tartsa meg és ne nyomja meg a munkadarabot, amelyet a forgó fűrész tárcsa éppen levág.** Ha megnyomja a munkadarabot, amelyet a fűrész tárcsa vág, akkor az beszorul és visszarúg.
4. **Állítsa be párhuzamosan a vezetőléccet a fűrész tárcsával.** A nem jól beállított vezetőlécc miatt a munkadarab beszorul a fűrész tárcsánál, és visszarúg.
5. **Különös figyelmet kell fordítani az összeszerelt munkadarabok nem látható területen történő vágásokor.** A kiálló fűrész tárcsa olyan tárgyakra vághat bele, amik visszarúgást okozhatnak.
6. **A nagyméretű falapokat támassza alá, hogy elkerülje a fűrész tárcsa beszorulását és a visszarúgást.** A nagyméretű falapok meghajolhatnak saját súlyuk alatt. A támaszték(ek)at az asztal tetején túlnyúló panel minden része alá el kell helyezni.
7. **Különös óvatossággal járjon el, ha egy megcsavarodott, csomós, elhajlott munkadarabot vág vagy ha nincs egyenes éle, és nem tudja a gérvágóval vagy a vezetőlécc mentén megvezetni.** Az elhajlott, csomós vagy megcsavarodott munkadarab nem stabil, és a fűrész tárcsa fűrészjártának elmozdulását, szorulást és visszarúgást okoz.
8. **Soha ne vágjon egyenlő több munkadarabot, vízszintesen vagy függőlegesen egymás mellé rakva.** A fűrész tárcsa egy vagy több darabot fel tud venni és visszarúgást okoz.
9. **Amikor újra bekapcsolja a fűrész, úgy hogy a fűrész tárcsa a munkadarabban van, állítsa középre a fűrész tárcsát a fűrészjártatban és győződjön meg róla, hogy a fűrészfogak nem kapaszkodnak az anyagba.** Ha a fűrész tárcsa beszorult, akkor felemelheti a munkadarabot, és visszarúghat a szerszám újraindításakor.
10. **Tartsa a fűrész tárcsákat tisztán, élesen és elegendő készleten.** Soha ne használjon elhajlott fűrész tárcsákat vagy fűrész tárcsákat repedt vagy törött fogakkal. Az éles és megfelelően beállított fűrész tárcsák minimalizálják a beszorulást, a megállást és a visszarúgást.

Asztali körfűrész működési eljárás figyelmeztetések

1. **Kapcsolja ki a fűrész, és húzza ki a tápkábel, amikor eltávolítja a asztal-betétet, kicseréli a fűrész tárcsát, vagy beállítja a hasítóké, a visszarúgás ellenes rögzítőkampókat vagy a fűrész tárcsa védőburkolatát, és amikor a gépet felügyelet nélkül hagyja.** Az óvintézkedésekkel elkerülhetőek a balesetek.
2. **Ne hagyja felügyelet nélkül az asztali fűrész. Kapcsolja ki, és ne hagyja ott a szerszámot, amíg teljesen le nem áll.** A felügyelet nélküli hagyott futó fűrész ellenőrizhetetlen veszély.

3. **Az asztali fűrész egy jól megvilágított, sík területen helyezze el, ahol megfelelően és egyensúlyban állhat.** Olyan helyre kell telepíteni, amely elegendő helyet biztosít ahhoz, hogy könnyen kezelje a munkadarab méretét. A rendezetlen és sötét munkaterületek és az egyenetlen, csúszós padló baleseteket idézhetnek elő.
4. **Gyakran tisztítsa meg és távolítsa el a fűrészport a fűrészasztal és/vagy a porgyűjtő készülék alól.** A felhalmozott fűrészpor gyúlékony és öngyulladhat.
5. **Az asztali fűrész rögzíteni kell.** A nem megfelelően rögzített asztali fűrész elmozdulhat vagy felborulhat.
6. **Távolítsa el a szerszámokat, a hulladékfát stb. az asztalról, mielőtt az asztali fűrész bekapcsolja.** A figyelmetlenség vagy az esetleges elakadás veszélyes lehet.
7. **Mindig csak megfelelő méretű és alakú (gyémánt vagy kerek) tengelyfuraltal rendelkező fűrész tárcsákat használjon.** Azok a fűrész tárcsák, amelyek nem illeszkednek a rögzítő alkatrészekhez, forgás közben nem maradnak középen, ami irányíthatatlansághoz vezet.
8. **Soha ne használjon megromlott vagy hibás fűrész tárcsa rögzítő eszközöket, mint karimák, fűrész tárcsa-alátétek, csavarok vagy anyák.** Ezeket a rögzítő eszközöket speciálisan az Ön fűrészéhez tervezték a biztonságos üzemeltetés és az optimális teljesítmény biztosítása érdekében.
9. **Soha ne álljon az asztali fűrészre, ne használja fel-lépőnek.** Ha a szerszám megdől, vagy Ön véletlenül a vágószerszámhoz ér, az súlyos sérüléseket okozhat.
10. **Győződjön meg róla, hogy a fűrész tárcsa a megfelelő irányban forog. Ne használjon csiszoló tárcsát, drótkéfé vagy csiszoló körongot az asztali fűrészre.** A fűrész tárcsa nem megfelelő felszerelése vagy a nem ajánlott alkatrészek használata komoly sérülést okozhat.

További tudnivalók

1. **Csak olyan fűrész tárcsákat használjon, amelyek jelzett fordulatszáma megegyezik a szerszámon jelzett fordulatszám, vagy nagyobb annál.**
2. **Válassza ki a megfelelő fűrész tárcsát a vágandó anyaghoz.**
3. **A fűrész tárcsák kezeléséhez viseljen kesztyűt.**
4. **Tisztítsa meg az orsót, az illesztőperemet (különösen annak szerelési felületét) vagy a rögzítő anyát a tárcsa felszerelése előtt.** A rozsz felszerelési rezgés/imbolygást vagy a tárcsa elcsúszását okozhatja.
5. **Ne vágjon fém tárgyakat, például szegeket és csavarokat.** A művelet megkezdése előtt ellenőrizze a munkadarabot, és húzza ki belőle az összes szeg, a csavarokat és az egyéb idegen anyagokat.
6. **SOHA ne engedje meg senkinek, hogy a fűrész tárcsával egy vonalban, az útjába álljon.**
7. **Mielőtt használja a szerszámot a tényleges munkadarabon, hagyja járni egy kicsit. Figyelje a rezgéseket vagy az imbolygást, amelyek rozszal felszerelt vagy rozszal kiegyensúlyozott tárcsára utalhatnak.**
8. **A szerszámot nem szabad vésésre, nyírásra vagy hornyolásra használni.**
9. **Cserélje ki az asztalbetétet, ha elkopott.**
10. **Mindig rakja el a nyomórudat, ha nem használja.**

11. MIELŐTT elkezdene a vágást, távolítsa el minden laza csomót a munkadarabról.
12. A használat folyamán keletkező fűrészpорок némelyike olyan vegyi anyagokat tartalmaz, amelyek daganatos megbetegedést, születési rendellenességeket vagy egyéb nemzőszervi ártalmakat okoznak. Néhány példa ezekre a vegyi anyagokra:
 - ólom az ólomalapú festékkel bevont munkadarabokból és,
 - arzén és króm a vegykezelt faanyagokból.
 Az ilyen anyagoknak való kitétség kockázata attól függ, hogy Ön milyen gyakran végez ilyen jellegű munkát. A behatás kockázatának csökkentése érdekében: dolgozzon jól szellőztetett helyen, és a munkavégzéshez használjon erre a célra jóváhagyott munkavédelmi felszereléseket, mint például olyan porvédő álarccokat, amelyet kifejezetten a mikroszkopikus részecskék kiszűrésére fejlesztettek ki.
13. Mindig győződjön meg róla, hogy a segéd védőburkolat lent és síkban van a fűrészasztallal, mielőtt bedugná a szerszámot.
14. Rendszeresen vizsgálja meg a hosszabbító kábeleket, és cserélje ki őket, ha megsérültek.
15. (Csak európai országokra vonatkozóan) Kizárólag a gyártó által ajánlott, az EN847-1 szabványnak megfelelő fűrésztárcsákat használjon.

TELEPÍTÉS

Az asztali fűrész beállítása

- ▶ **Ábra1:** 1. 8 mm furat átmérő
- ▶ **Ábra2:** 1. 6 mm szab. alátét 2. Min. 40 mm hosszú facsavar (10 .sz)
- ▶ **Ábra3:** 1. 6 mm szab. alátét 2. 6 mm-es rögzítő csavar és anya szorosan rögzítve

Az asztali fűrész egy jól megvilágított, sík területen helyezze el, ahol megfelelően és egyensúlyban állhat. Olyan helyre kell telepíteni, amely elegendő helyet biztosít ahhoz, hogy könnyen kezelje a munkadarab méretét. Az asztali fűrész négy csavarral vagy csap-szeggel kell rögzíteni a munkaasztalra vagy az asztali fűrész állványra az asztali fűrész alján található furatok segítségével. Amikor az asztali fűrész a munkaasztalra rögzíti, győződjön meg arról, hogy a munkaasztal tetején van egy nyílás, amely megegyezik az asztal alján lévő nyílással, így a fűrészpor leeshet. Ha működés közben azt tapasztalja, hogy az asztali fűrész mintha felborulna, megcsúszna vagy elmozdulna, akkor a munkaasztalt vagy az asztali fűrész állványt a padlóhoz kell rögzíteni.

Tartozékok tárolása

- ▶ **Ábra4:** 1. Gérvágó
- ▶ **Ábra5:** 1. Párhuzamvezető 2. Nyomórúd 3. Visszarúgás ellenes rögzítőkampók

A gérvágó, a fűrésztárcsa és a villáskulcsok az alaplamez bal oldalán tárolhatóak. A párhuzamvezető, a nyomórúd és a visszarúgás ellenes rögzítőkampók az alaplamez jobb oldalán tárolhatóak.

A MŰKÖDÉS LEÍRÁSA

⚠VIGYÁZAT: Mielőtt ellenőrzi vagy beállítja, mindig bizonyosodjon meg róla, hogy a szerszámot kikapcsolta és a hálózatról lecsatlakoztatta.

Fűrészlapvédő

⚠FIGYELMEZTETÉS: Soha ne akadályozza a fűrésztárcsavédő mozgását, és ne távolítsa el. A nem megfelelően működő fűrésztárcsavédő miatt szabadon forgó fűrésztárcsa súlyos személyi sérüléseket okozhat a munkavégzés során.

⚠FIGYELMEZTETÉS: Ne használja a szerszámot sérült, hibás vagy hiányzó fűrésztárcsavédővel. A szerszámot sérült, hibás vagy hiányzó fűrésztárcsavédővel vagy rugóval való használata súlyos személyi sérülésekhez vezethet.

- ▶ **Ábra6:** 1. Fűrészlapvédő 2. Segéd védőburkolat

Vágás közben nyomja a munkadarabot a tárcsa felé, úgy hogy a segéd védőburkolat alsó szélé érintkezzen a fő asztallal. A munkadarab betáplálásakor a fűrésztárcsavédő és a segéd védőburkolat is átmegy a munkadarab szélén.

A személyes biztonsága érdekében a fűrésztárcsavédő és a segéd védőburkolat mindig legyen jó állapotban. Ha a fűrésztárcsavédő és a segéd védőburkolat hibásan működik, azt azonnal ki kell javítani. Ellenőrizze, hogy a fűrésztárcsavédő és a segéd védőburkolat lefelé van-e, és a segéd védőburkolat alsó éle érintkezik a fő asztallal, amikor a munkadarabot nem táplál be.

Ha az átlátszó részek annyira elkoszolódnak, vagy ahhoz annyi fűrészpor tapad, hogy a tárcsa és/vagy a munkadarab nehezen látható, áramtalanítsa a szerszámot, és tisztítsa meg az átlátszó részeket egy nedves törülkövvel. Ne használjon semmilyen benzin alapú tisztítószert, mert ezzel károsíthatja a részeket. Ha az átlátszó részek öregedés vagy UV-fényhatás következtében elszíneződik, lépjen kapcsolatba egy Makita szervizközponttal új alkatrészek beszerzése érdekében. **NE AKADÁLYOZZA A FŰRÉSZTÁRCSAVÉDŐ ÉS A SEGÉD VÉDŐBURKOLAT MOZGÁSÁT, NE TÁVOLÍTSA EL AZOKAT.**

A vágási mélység beállítása

- ▶ **Ábra7:** 1. Fogantyú

A vágás mélysége a fogantyú elfordításával állítható. Fordítsa el a fogantyút az óramutató járásával megegyező irányba a fűrésztárcsa felemeléséhez vagy az óramutató járásával ellentétes irányba, hogy leengedje.

MEGJEGYZÉS: Vékony anyagok vágásakor használjon sekély mélység beállítást a tiszta vágáshoz.

A ferdevágási szög beállítása

- ▶ **Ábra8:** 1. Reteszelőkar 2. Nyílmutató 3. Kézikerék
- Lazítsa meg a reteszelőkart az óramutató járásával ellentétes irányba, és forgassa el a kézikeréket, amíg a kívánt szöget (0°-45°) el nem érte. A ferdevágási szöget a nyílmutató jelzi. A kívánt szög beállítása után húzza meg a reteszelőkart az óramutató járásával megegyező irányba, hogy rögzítse a beállítást.

⚠VIGYÁZAT: A ferdevágási szög beállítása után győződjön meg róla, hogy a reteszelőkart biztonságosan meghúzta-e.

Ütközési funkció beállítása

▶ **Ábra9:** 1. 90°-os beállító csavar 2. 45°-os beállító csavar

▶ **Ábra10**

A szerszám 90°-os és 45°-os ütközési pozícióval van ellátva. Az ütközési pozíció ellenőrzéséhez és beállításához a következők szerint járjon el:

Forgassa el a kézikereket annyira, amennyire csak lehetséges. Helyezzen egy háromszög alakú vonalzóat az asztalra, és ellenőrizze, hogy a fűrész tárcsa 90° vagy 45° az asztal felületéhez képest. Ha a fűrész tárcsa az A. ábrán látható szögben van, forgassa el a beállító csavarokat az óramutató járásával megegyező irányba; ha a B ábrán látható szögben van, fordítsa el a beállító csavarokat az óramutató járásával ellentétes irányba az ütközési pozíciók beállításához.

Az ütközési pozíció beállítása után állítsa a fűrész tárcsát 90°-ban az asztal felületéhez képest. Ezután állítsa be a nyílmutatóját úgy, hogy a jobb szélét a 0° fokra állítsa.

▶ **Ábra11:** 1. Nyílmutató

A kapcsoló használata

▶ **Ábra12:** 1. Kapcsoló

⚠ VIGYÁZAT: A művelet megkezdése előtt ellenőrizze, hogy az eszköz be vagy ki van kapcsolva.

Az eszköz bekapcsolásához nyomja meg az ON (I) gombot. A kikapcsoláshoz nyomja meg az OFF (O) gombot.

Kiegészítő vezetőléc (párhuzamvezető)

▶ **Ábra13:** 1. Szorítócsavar 2. Párhuzamvezető 3. Kiegészítő vezetőléc 4. Sín

Ha a párhuzamvezető közel kerül a fűrész tárcsához, használja a kiegészítő vezetőlécet a munkadarab megtámasztására. Lazítsa meg a szorítócsavart, majd csúsztassa le a kiegészítő vezetőlécet a sínről. Csatlakoztassa a kiegészítő vezetőlécet az ábra szerint, és húzza meg a rögzítőcsavarokat.

Ha csatlakoztatta a párhuzamvezetőt a fűrész tárcsa bal oldalához, cserélje meg a kiegészítő vezetőléc helyzetét. Távolítsa el a rögzítőcsavarokat, a kiegészítő vezetőlécet és a sít a párhuzamvezetőről. Lazán rögzítse a sít a párhuzamvezető jobb oldalán az eltávolított rögzítőcsavarokkal. Ezután csatlakoztassa a kiegészítő vezetőlécet és húzza meg a rögzítőcsavarokat.

▶ **Ábra14:** 1. Párhuzamvezető 2. Kiegészítő vezetőléc 3. Szorítócsavar 4. Sín

Jobb (R) segédszital

▶ **Ábra15:** 1. Kar

▶ **Ábra16:** 1. Jobb (R) segédszital

Ez az eszköz jobb (R) segédszitalal van ellátva a fő asztal jobb oldalán. A jobb (R) segédszital használatához emelje fel a jobb elülső oldalon található mindkét kart, húzza ki teljesen a jobb (R) asztalt, aztán engedje le a karokat a rögzítéshez.

Amikor a jobb (R) segédszitalt használja, keresse meg a mérőlemezt a segédszitalon, miután csavarhúzóval meglazította a csavarokat rajta, úgy, hogy a főasztalon lévő mérőlemezlet egymás után helyezkedjenek el.

▶ **Ábra17:** 1. Mérőlemez 2. Csavar

Segédszital (hátsó)

Opcionális kiegészítők

▶ **Ábra18:** 1. Segédszital (hátsó) 2. Csavar

A segédszital (hátsó) használatához lazítsa meg az asztal alatt a bal és jobb oldalon található csavarokat, és húzza ki a hosszabbítót hátrafelé a kívánt hosszúságúra. A kívánt hossz elérése után húzza meg a csavart.

MEGJEGYZÉS: A hátsó segédszital használatakor, amikor a párhuzamvezetőt használja, a hátsó segédszitalt 50 mm-nél jobban húzza ki, úgy, hogy ne ütközzön párhuzamvezető felső végével.

Bal (L) segédszital

Opcionális kiegészítők

▶ **Ábra19:** 1. Csavar 2. Bal (L) segédszital

A bal (L) segédszitalt (opcionális tartozék) az asztal bal oldalára lehet felszerelni, ezzel szélesebb hely nyerhető.

Visszarúgás ellenes rögzítőkampók

⚠ FIGYELMEZTETÉS: A vágási műveletek során használja a visszarúgás ellenes rögzítőkampókat, amikor csak lehetséges. Ez megakadályozza, hogy egy visszarúgási helyzet során az anyag a kezelő felé előre tolódjon, ami súlyos személyi sérülést okozhatna.

▶ **Ábra20:** 1. Visszarúgás elleni rögzítőkampó 2. Rögzítő

A visszarúgás elleni rögzítőkampók eltávolításához lazítsa meg a visszarúgás elleni rögzítőkampó alsó részén található rögzítőket, majd húzza ki a rögzítőkampókat. Felszerelésekor a leszerelési eljárást végezze, fordított sorrendben.

ÖSSZESZERELÉS

⚠ VIGYÁZAT: Mielőtt bármilyen munkát végezne rajta, mindig bizonyosodjon meg arról, hogy a szerszámot kikapcsolta és a hálózatról lecsatlakoztatta.

A fűrész tárcsa felhelyezése vagy eltávolítása

⚠ VIGYÁZAT: A fűrész tárcsa felszerelése vagy eltávolítása előtt minden esetben ellenőrizze, hogy a szerszám ki van kapcsolva és áramtalanítva lett.

⚠ VIGYÁZAT: A fűrész tárcsa felszereléséhez vagy eltávolításához csak a mellékelt Makita csőkulcsot használja. Ellenkező esetben előfordulhat, hogy túlhúzza vagy nem húzza meg eléggé a hatlapfejű csavart. Ez sérüléshez vezethet.

⚠ VIGYÁZAT: Használja a következő fűrész tárcsát. Ne használjon olyan fűrész tárcsákat, amelyek nem felelnek meg az ebben az útmutatóban leírt követelményeknek.

Átmérő	Fűrészárca vastagsága	Fűrészjárt
260 mm	Keveebb mint 1,9 mm	Több mint 2,1 mm

- Lazítsa meg az asztalon található csavart, majd távolítsa el azt.
- Tartsa meg a külső illesztőperemet az ellentartó villáskulccsal, lazítsa meg a hatlapú anyát az óramutató járásával ellentétes irányba a csavarkulccsal. Utána távolítsa el a külső illesztőperemet.
 - ▶ **Ábra21:** 1. Ellentartó villáskulcs 2. Hatlapú anya 3. Villáskulcs
- Szerelje fel a belső illesztőperemet, a gyűrűt, a fűrészártsát, a külső illesztőperemet és a hatlapú anyát a tengelyre, ügyelve arra, hogy a fűrészártsa fogai az asztal elején lefelé nézzenek. A hatlapfejű anyát mindig úgy helyezze fel, hogy a bemélyedő része a külső illesztőperem felé nézzen.
 - ▶ **Ábra22:** 1. Belső illesztőperem 2. Gyűrű 3. Fűrészártsa 4. Külső illesztőperem 5. Hatlapú anya

⚠VIGYÁZAT: Ügyeljen arra, hogy a fűrészártsát úgy szerelje fel, hogy a fogak a vágás (forgás) irányában álljanak.

⚠VIGYÁZAT: A fűrészártsa felszerelése előtt ellenőrizze a fűrészártsa tengelyfurat-átmérőjét. Mindig a használni kívánt fűrészártsa tengelyfuratához megfelelő gyűrűt használjon. A mellékelt gyűrű(k) nagysága országoként eltérő lehet.

- A 30 mm-es furatátmérőjű fűrészártsát használó szerszámhoz tartozó gyűrű külső átmérője 30 mm.
- A 25,4 és 25 mm-es furatátmérőjű fűrészártsát használó szerszámhoz ezüst és fekete színű gyűrűk tartoznak. A 25,4 mm-es furatátmérőjű fűrészártsához az ezüst, a 25 mm-es furatátmérőjű fűrészártsához a fekete gyűrűt használja.

- A fűrészártsa rögzítéséhez fogja meg a külső illesztőperemet az ellentartó kulccsal, majd húzza meg a hatlapú anyát egy kulccsal, azt az óramutató járásának irányába forgatva. **ERŐSEN HÚZZA MEG A HATLAPÚ ANYÁT.**

- ▶ **Ábra23:** 1. Ellentartó villáskulcs 2. Villáskulcs

⚠VIGYÁZAT: Az illesztőperem felületét tartsa szennyezőanyagoktól és más megtapadó anyagoktól tisztán, mert azok a fűrészártsa csúszását okozhatják.

⚠VIGYÁZAT: Figyeljen oda, hogy a hatlapú anyát óvatosan fogja a villáskulccsal. Ha a fogása megcsúszik, a villáskulcs lecsúszhat a hatlapú anyáról és a keze nekiütődhet az éles fűrészélnék.

- Rögzítse az asztalbetétet a csavarral a helyére.

A hasítókécs beállítása

⚠VIGYÁZAT: Ha a fűrészártsa és a hasítókécs nincsenek megfelelően beállítva, akkor a működés során veszélyes beszorulás jelentkezhet. Győződjön meg arról, hogy megfelelően vannak beállítva. Súlyos személyi sérülést szenvedhet, ha a szerszámot nem megfelelően beállított hasítókéccsel használja.

⚠VIGYÁZAT: SOHA ne végezzen semmilyen beállítást míg a szerszám működik. Bármely beállítás elvégzése előtt húzza ki az eszközt a hálózatból.

⚠VIGYÁZAT: Ne távolítsa el a hasítókécs.

- ▶ **Ábra24:** 1. Fűrészártsavédő 2. Hasítókécs 3. Csavar

A hasítókécs pozíciója gyárilag úgy van beállítva, hogy a fűrészártsa és a hasítókécs egy vonalban legyenek. Azonban, ha a fűrészártsa és a hasítókécs nincsenek egy vonalban, be kell állítania azt. Lazítsa meg az asztalbetétet található csavart, majd távolítsa el a főasztalról. Lazítsa meg a hatlapú csavarokat (B), és állítsa be a pengét védő rögzítő részt (tartó) úgy, hogy a hasítókécs közvetlenül a fűrészártsa mögé legyen. Ezután húzza meg a hatlapú csavarokat (B), hogy rögzítse a tartót, és tegye be a helyére a lemezt.

- ▶ **Ábra25:** 1. Tárcsa 2. Ennek a két távolságnak egyenlőnek kell lennie. 3. Hasítókécs 4. Hatlapú csavarok (B) 5. Hatlapú csavarok (A)

A hasítókécs és a penge fogai közötti távolságnak kb. 4-5 mm-nek kell lennie. Lazítsa meg a hatlapú csavarokat (A), állítsa megfelelő helyzetbe a hasítókécs, majd szorosan húzza meg a hatlapú csavarokat (A). Helyezze vissza az asztalbetétet az asztalba, ezután még a vágás megkezdése előtt ellenőrizze, hogy a tárcsa védőburkolata akadálymentesen működik.

- ▶ **Ábra26:** 1. Hasítókécs 2. Fűrészlapvédő 3. 4 - 5 mm-es távolság

A párhuzamvezető felszerelése és beállítása

- ▶ **Ábra27:** 1. Horog 2. Gomb 3. Vezetősín

- Szerelje fel a párhuzamvezető hegyén lévő akasztót az asztal vagy jobb (R) segédasztal távoli vezetősínre, és szerelje be és tolja előre a párhuzamvezetőt úgy, hogy a vezetőtartó a legalsó vezetősínhez illeszkedjen.

- A vezetősínén lévő párhuzamvezető oldalra csúsztatásához állítsa vissza teljesen a vezetőtartón lévő gombot, anélkül hogy a kart a gombon meg ne húzná.

A párhuzamvezető rögzítéséhez teljesen forgassa el a gombot a párhuzamvezető tartóján.

3. A párhuzamvezető eltávolításához húzza meg a kart a gombon és forgassa a gombot teljesen előre, miközben húzza a kart.

Annak ellenőrzésére, hogy a párhuzamvezető párhuzamos a fűrészláncával, rögzítse a párhuzamvezetőt 2 - 3 mm-re a fűrészláncától. Emelje a fűrészláncát a maximális magassági. Jelölje meg az egyik fűrészfogat egy zsírkrétával. Mérje le a párhuzamvezető és a fűrészlánc közötti (A) és (B) távolságokat. Mindkét méréshez a krétával megjelölt fogat használja. A két mérésnek egyeznie kell. Ha a párhuzamvezető nem párhuzamos a fűrészláncával, akkor a következő módon járjon el:

► **Ábra28:** 1. Skála

1. Helyezze a párhuzamvezetőt csúszo helyzetbe.
2. Lazítsa meg a vezetőléccen található imbuszcscsavarokat a mellékelt imbuszkulccsal.

► **Ábra29:** 1. Hatlapfejű csavarok

3. Állítsa be a párhuzamvezetőt, hogy párhuzamos legyen a fűrészláncával.

4. Fordítsa a párhuzamvezetőn lévő gombot a kezé felé.

5. Húzza meg a vezetőléccen található imbuszcscsavarokat.

► **Ábra30**

▲ VIGYÁZAT: Győződjön meg róla, hogy a párhuzamvezetőt úgy állította be, hogy az párhuzamos a fűrészláncával, ellenkező esetben veszélyes visszarúgások történhetnek.

Ha a párhuzamvezetőt nem lehet szilárdan rögzíteni, állítsa be az alábbi eljárás szerint.

1. Állítsa a párhuzamvezetőt az asztalra és a gombot fordítsa félig a mozgó állásába. Húzza meg a csavart (A) mindaddig, amíg a párhuzamvezető rögzítésre kerül. Ezután egy negyed/fél fordulattal lazítsa meg a csavart.

► **Ábra31:** 1. Párhuzamvezető 2. Kioldott pozíció
3. Mozgó pozíció 4. Rögzítési pozíció

► **Ábra32:** 1. Párhuzamvezető 2. Mozgó pozíció
3. Csavar (B) 4. Csavar (A)

2. Húzza meg teljesen a csavart (B), majd kb. 2 teljes fordulattal lazítsa meg.

3. Zárja le a párhuzamvezetőt úgy, hogy teljesen elforgatja gombot a vezetőtartón (zárolási helyzet).

4. Győződjön meg róla, hogy a párhuzamvezető felszerelhető és eltávolítható az eredeti pozícióban (nyitott helyzet).

5. Győződjön meg róla, hogy a párhuzamvezető simán csúsztatható megíngás nélkül, amikor a gomb félüton van.

MEGJEGYZÉS: Ügyeljen arra, hogy ne húzza meg a fenti utasításokban megadottnál nagyobb erővel a csavarokat. Ennek figyelmen kívül hagyása megrongálhatja a rögzített részeket.

Húzza fel a párhuzamvágót a fűrészláncsa oldalán. Ellenőrizze, hogy a párhuzamvezető tartóján a vezetővonal a 0 értékre mutat. Ha a vezetővonal nem a 0 értékre mutat, akkor lazítsa meg a csavart a skálán és állítsa be a skálát.

► **Ábra33:** 1. Vezetővonal 2. Csavarok

A porszívó csatlakoztatása

A tisztítási műveletek elvégezhetőek a szerszám Makita porszívóhoz vagy porgyűjtőhöz való csatlakoztatásával.

► **Ábra34**

MŰKÖDTETÉS

▲ VIGYÁZAT: Mindig használjon „segédeszközöket” mint nyomórúd és nyomótömb, amikor fennáll annak veszélye, hogy a keze vagy az uja közel kerül a fűrészláncához.

▲ VIGYÁZAT: Mindig tartsa határozottan a munkadarabot az asztalhoz és a párhuzamvezetőhöz vagy gérvágóhoz. Ne hajlítsa meg vagy csavarja meg betolásokor. Ha a munkadarab meghajlott vagy megcsavarodott, veszélyes visszarúgások fordulhatnak elő.

▲ VIGYÁZAT: SOHA ne húzza vissza a munkadarabot, ha a fűrészláncsa forog. Ha a vágás befejezése előtt vissza kell húznia a munkadarabot, először kapcsolja ki a szerszámot, miközben a munkadarabot határozottan tartja. Várja meg, amíg a fűrészláncsa teljesen leáll, mielőtt kivenné a munkadarabot. Ennek elmulasztása veszélyes visszarúgást okozhat.

▲ VIGYÁZAT: SOHA NE távolítsa el a levágott anyagot, ha a fűrészláncsa forog.

▲ VIGYÁZAT: SOHA ne tegye a kezét vagy ujját a fűrészláncsa útjába. Legyen különösen figyelmes a ferdevágásnál.

▲ VIGYÁZAT: Mindig határozottan rögzítse a párhuzamvezetőt, vagy veszélyes visszarúgások fordulhatnak elő.

▲ VIGYÁZAT: Mindig használjon „segédeszközöket”, mint például nyomórúd vagy nyomótömb, amikor kis vagy keskeny munkadarabokat vág.

Segédeszközök

A nyomórúd, a nyomótömb vagy a kisegítő vezető tartoznak a különböző „segédeszközök” típusaihoz. Használja azokat a biztonságos, biztos vágásokhoz anélkül, hogy a kezelőnek hozzá kellene érnie bármely testrészével a fűrészláncához.

Nyomótömb

► **Ábra35:** 1. Lap/él párhuzamos 2. Fogantyú
3. Facsavar 4. Összeragasztva

Egy darab 19 mm-es rétegelt lemezt használjon. A fogantyúnak a rétegelt lemez közepén kell lennie. Rögzítse ragasztóval és facsavarokkal az ábrán látható módon. A 9,5 mm x 8 mm x 50 mm-es fából készült darabokat mindig fel kell ragasztani a rétegelt lemezre, hogy a fűrészláncsa ne váljon élettenné, ha a kezelő véletlenül belevág a nyomótömbbe. (Soha ne használjon szeget a nyomótömbben.)

Kiegészítő vezető

► **Ábra36:** 1. Lap/él párhuzamos

A segédvezetőt 9,5 és 19 mm-es rétegelt lemezből készíttse.

Párhuzamos vágás

⚠VIGYÁZAT: Párhuzamos vágáskor vegye le az asztalról a gérvágót.

⚠VIGYÁZAT: Nagy és hosszú munkadarabok vágásakor mindig biztosítson megfelelő alátámasztást az asztal mögött. NE engedje, hogy egy hosszú deszka mozogjon vagy elmozduljon az asztalon. Ez a fűrészlánc megmozdulását okozhatja és növeli a visszarúgás, valamint a személyi sérülés lehetőségét. A támaszték magassága ugyanolyan kell legyen, mint az asztalé.

⚠VIGYÁZAT: A fűrészlánc lehajló oldalán ne végezzen ferdevágást.

1. A vágási mélységet egy kicsit magasabba állítsa, mint a munkadarab vastagsága.

► **Ábra37**

2. Állítsa a párhuzamvezetőt a kívánt szélességre és rögzítse a gomb lenyomásával. A vágás megkezdése előtt győződjön meg róla, hogy a párhuzamvezető hátsó vége szilárdan van rögzítve. Ha nincs elég biztonságos rögzítve, akkor a „Párhuzamvezető felszerelése és beállítás” című fejezet utasításai szerint járjon el.

3. Kapcsolja be a szerszámot, és a párhuzamvezető mentén óvatosan tolja a munkadarabot fűrészláncára.

Ha a vágás szélessége 150 mm vagy annál nagyobb, akkor a munkadarab tolásához használja a jobb kezét. A bal kezével tartsa a munkadarabot a párhuzamvezető mentén.

► **Ábra38**

Ha a hasítás 65 mm - 150 mm széles, használja a nyomórúdat a munkadarab tolásához.

► **Ábra39:** 1. Nyomórúd

Ha a hasítás szélessége 65 mm-nél keskenyebb, akkor a nyomórúdat nem lehet használni, mert a nyomórúd meg fogja érinteni a tárcsát. Használja a kiegészítő vezetőt és a nyomótömböt. Csatlakoztassa a kiegészítő vezetőt a párhuzamvezetőhöz két „C” befogóval. A munkadarabot kézzel tolja addig, amíg a vége körülbelül 25 mm-re van az asztal elülső szélétől.

► **Ábra40**

Folytassa a kiegészítő vezető tetején a nyomótömb használatával a vágás befejezéséig.

► **Ábra41:** 1. Nyomótömb 2. Kiegészítő vezető

Harántvágás

⚠VIGYÁZAT: Harántvágásnál távolítsa el a párhuzamvezetőt az asztalról.

⚠VIGYÁZAT: Nagy és hosszú munkadarabok vágásakor mindig biztosítson megfelelő alátámasztást az asztal oldalán. A támaszték magassága ugyanolyan kell legyen, mint az asztalé.

⚠VIGYÁZAT: Mindig tartsa távol a kezét a tárcsa útjától.

Gérvágó

► **Ábra42:** 1. Harántvágás 2. Gérvágás
3. Ferdevágás 4. Kombinált gérvágás (szögben)

A gérvágó mérce az ábrán látható négyféle vágáshoz használható.

⚠VIGYÁZAT: Óvatosan rögzítse a gérvágón található gombot.

⚠VIGYÁZAT: A munkadarab és a mérce elcsúszását szilárd befogók alkalmazásával kerülje el, különösen szög alatti vágáskor.

⚠VIGYÁZAT: SOHA NE tartsa vagy fogja meg a munkadarab „levágandó” részét.

⚠VIGYÁZAT: Mindig úgy állítsa be a távolságot a gérvágó mérce vége és a fűrészlánc között, hogy az ne legyen nagyobb mint 15 mm.

Gérvágó mérce ütköző

► **Ábra43:** 1. Az ütköző csavarja 2. Kis lemez
3. Gomb

A gérvágó mérce a gérvágási szögek gyors beállítása érdekében ütközőkkel rendelkezik a 90° és a 45°-os bal, illetve jobb gérvágási szögeknél.

A gérvágási szög beállításához lazítsa meg a gérvágó mérce található gombot.

A szabad beállításához emelje ki gérvágó mérce található kis lemezt. Fordítsa a gérvágó mérce a kívánt szögbe. A kis lemezt tegye vissza az eredeti helyére és húzza meg a gombot az óramutató járásának irányába.

A gérvágó mérce használata

► **Ábra44:** 1. Vájat 2. Gérvágó 3. Gomb

Csúsztassa a gérvágó mérce az asztalon látható vastag vájatokba. Lazítsa meg a gombot a mérce és állítsa be a kívánt szöget (0° és 60° között). Hozza a tömböt egy szintbe a párhuzamvezetővel és finoman tolja a fűrészláncára.

Alsó ütköző (gérvágó mérce)

► **Ábra45:** 1. Alsó ütköző

A gérvágó mérce található alsó ütköző megakadályozza a munkadarab elmozdulását. Lazítsa meg a gérvágó mérce lévő csavart, és állítsa be az alsó ütköző helyzetét.

A szerszám szállítása

► **Ábra46**

Ellenőrizze, hogy a szerszám áramtalanítva van. A szerszámot az ábrának megfelelő módon fogva szállítsa.

⚠VIGYÁZAT: A szerszám szállítása előtt mindig rögzítsen minden mozgó alkatrészt.

⚠VIGYÁZAT: A szerszám szállítása előtt győződjön meg arról, hogy a tárcsa védőburkolata és a segéd védőburkolat le van engedve és a segéd védőburkolat alsó széle hozzáér a fő asztalhoz.

KARBANTARTÁS

⚠ VIGYÁZAT: Mielőtt a vizsgálatához vagy karbantartásához kezdene, mindig bizonyosodjon meg arról hogy a szerszámot kikapcsolta és a hálózatról lecsatlakoztatta.

MEGJEGYZÉS: Soha ne használjon gázolajt, benzint, hígítót, alkoholt vagy hasonló anyagokat. Ezek elszíneződést, alakvesztést vagy repedést okozhatnak.

Tisztítás

Időről időre takarítsa le a gépről a fűrészport és a forgácsot. Óvatosan tisztítsa meg a tárcsa védőburkolatát és az asztali körfűrész belsejében található mozgó alkatrészeket. A fűrész tárcsa alatt felhalmozódott fűrészpor eltávolításakor vegye le az asztalbetétet és a porszívó csatlakoztatásából egy légfúvó segítségével fújja ki a fűrészport.

Kenés

Az asztali körfűrész kiváló üzemi állapotának megőrzése és a maximális élettartam biztosítása érdekében időről időre olajozza vagy zsírozza meg a mozgó és forgó alkatrészeket.

Kenési helyek:

- A fűrész tárcsa felemelésére szolgáló menetes tengely
- A keret elforgatására szolgáló csukló
- A motoron található, emelkedést vezető tengelyek
- Fűrész tárcsa emelő áttétele
- A párhuzamvezető vezetősínje
- A segédasztal (R) reteszelőkarok tengelye
- A segédasztal (R) csúszórésze

A szénkefék cseréje

Rendszeresen ellenőrizze a szénkefeket.

Cserélje ki őket amikor lekopnak egészen a határjelzésig. Tartsa tisztán a szénkefeket, és biztosítsa, hogy szabadon mozoghassanak tartójukban. Mindkét szénkefét egyszerre cserélje ki. Használjon egyforma szénkefeket.

► **Ábra47:** 1. Határjelzés

1. Rakja el az (R) segédasztalt. Távolítsa el a párhuzamvezetőt, ha fel van szerelve.
2. Lazítsa meg a reteszelő kart, és forgassa el a kézikereket, amíg a fűrészfej el nem éri a 45°-os szögét. Ezután húzza meg a reteszelőkart.

► **Ábra48:** 1. Párhuzamvezető 2. Reteszelőkar
3. Kézikerék

3. Állítsa a szerszámot jobb oldalára.

► **Ábra49**

4. Lazítsa meg a csavarokat az alsó lemezen és távolítsa el.
 5. Csavarhúzóval lazítsa meg a kefetartó sapkákat, majd távolítsa el az elkopott szénkefeket.
- **Ábra50:** 1. Alsó lemez 2. Kefetartó sapka
3. Csavarhúzó

6. Tegye be az új szénkefeket, majd rögzítse a kefetartó sapkákat.

7. Rögzítse az alsó lemezt a csavarokkal, majd óvatosan állítsa a talpára a gépet. Rakja el a párhuzamvezetőt, ha leszerelte.

A termék BIZTONSÁGÁNAK és MEGBÍZHATÓSÁGÁNAK fenntartása érdekében a javításokat és más karbantartásokat vagy beállításokat a Makita hivatalos vagy gyári szervizközpontjában kell elvégezni, mindig csak Makita cserealkatrészeket használva.

OPCIONÁLIS KIEGÉSZÍTŐK

⚠ VIGYÁZAT: Ezen kiegészítőket és tartozékokat javasoljuk a kézikönyvben ismertetett Makita szerszámhoz. Bármilyen más kiegészítő vagy tartozék használata a személyi sérülés kockázatával jár. A kiegészítőt vagy tartozékot csak rendeltetésszerűen használja.

Ha bármilyen segítségre vagy további információkra van szüksége ezekkel a tartozékokkal kapcsolatban, keresse fel a helyi Makita Szervizközpontot.

- Acél- és karbidvégű fűrész tárcsák
- Bal (L) segédasztal
- Segédasztal (hátsó)
- Párhuzamvezető
- Gérvágó
- 13-22-es ellentartó villáskulcs
- Villáskulcs, 19
- 5-ös imbuszkulcs
- Csatlakozó (a porgyűjtő csatlakoztatásához)
- Asztalállvány készlet

Lásd az asztali körfűrész állvány használati utasítását, amennyiben az állvány opcionális tartozékként rendelkezősére áll.

MEGJEGYZÉS: A listán felsorolt néhány kiegészítő megtalálható az eszköz csomagolásában standard kiegészítőként. Ezek országonként eltérőek lehetnek.

TECHNICKÉ ŠPECIFIKÁCIE

Model:		2704N
Otvor na hriadeľ (podľa krajiny)		30 mm / 25,4 mm
Priemer čepele		260 mm
Max. kapacita rezania	skosenie 0°	93 mm
	skosenie 45°	64 mm
Otáčky naprázdno		5 200 min ⁻¹
Veľkosť stola (d x š)	s vedľajšími stolmi (pravý) a (zadný)	1 045 mm x 1 066 mm (stoly rozťahnuté) 665 mm x 753 mm (stoly zložené)
	s vedľajším stolom (pravý) bez vedľajšieho stola (zadný)	567 mm x 1 066 mm (stôl rozťahnutý) 567 mm x 753 mm (stôl zložený)
Rozmery (d x š x v) s nerozťahnutými stolmi	s vedľajšími stolmi (pravý) a (zadný)	715 mm x 753 mm x 483mm
	s vedľajším stolom (pravý) bez vedľajšieho stola (zadný)	665 mm x 753 mm x 483 mm
Čistá hmotnosť		35,2 kg – 37,0 kg
Trieda bezpečnosti		□/II

- Vzhľadom na neustály výskum a vývoj podliehajú technické údaje uvedené v tomto dokumente zmenám bez upozornenia.
- Technické údaje sa môžu pre rôzne krajiny líšiť.
- Hmotnosť sa môže meniť v závislosti od namontovaného príslušenstva. Najľahšia a najťažšia kombinácia v súlade s postupom EPTA 01/2014 je uvedená v tabuľke.

Symbols

Nižšie sú uvedené symboly, s ktorými sa môžete stretnúť pri použití nástroja. Je dôležité, aby ste poznali ich význam, skôr než začnete pracovať.



Prečítajte si návod na obsluhu.



DVOJITÁ IZOLÁCIA



Používajte ochranné okuliare.



Nepribližujte k čepeli ruku či prsty.



Len pre štáty EÚ
Nevyhadzujte elektrické zariadenia do komunálneho odpadu! Podľa európskej smernice o nakladaní s použitými elektrickými a elektronickými zariadeniami a zodpovedajúcich ustanovení právnych predpisov jednotlivých krajín je nutné elektrické zariadenia po skončení ich životnosti triediť a odovzdať na zberné miesto vykonávajúce environmentálne kompatibilné recyklovanie.

Určené použitie

Tento nástroj je určený na rezanie dreva. Tento nástroj podporuje priame rezanie, zrezávacie rezanie a skosené rezanie. Tento nástroj nie je určený na drážkovanie.

Napájanie

Nástroj sa môže pripojiť len k zodpovedajúcemu zdroju s napätím rovnakým, aké je uvedené na typovom štítku, a môže pracovať len s jednofázovým striedavým napätím. Nástroj je vybavený dvojitou izoláciou, a preto sa môže používať pri zapojení do zásuviek bez uzemňovacieho vodiča.

Hluk

Typická hladina akustického tlaku záťaže A určená podľa štandardu EN62841:

Úroveň akustického tlaku (L_{pA}): 94 dB (A)

Úroveň akustického tlaku (L_{WA}): 107 dB (A)

Odchýlka (K): 3 dB (A)

VAROVANIE: Používajte ochranu sluchu.

Vyhlasenie o zhode ES

Len pre krajiny Európy

Vyhlasenie o zhode ES sa nachádza v prílohe A tohto návodu na obsluhu.

BEZPEČNOSTNÉ VAROVANIA

Všeobecné bezpečnostné predpisy pre elektrické nástroje

VAROVANIE: Preštudujte si všetky bezpečnostné varovania, pokyny, vyobrazenia a technické špecifikácie určené pre tento elektrický nástroj. Pri nedodržaní všetkých nižšie uvedených pokynov môže dôjsť k úrazu elektrickým prúdom, požiaru alebo vážnemu zraneniu.

Všetky výstrahy a pokyny si odložte pre prípad potreby v budúcnosti.

Pojem „elektrický nástroj“ sa vo výstrahách vzťahuje na elektricky napájané elektrické nástroje (s káblom) alebo batériu napájané elektrické nástroje (bez kábla).

Bezpečnostné pokyny pre stolové pily

Výstrahy týkajúce sa bezpečnostných krytov

- Kryty nechajte nasadené sa svojim mieste. Kryty musia byť funkčné a riadne upevnené.** Kryt, ktorý je uvoľnený, poškodený alebo nefunguje správne, sa musí opraviť alebo vymeniť.
- Skôr než zapnete spínač, skontrolujte, či sa čepeľ pily nedotýka chrániča, štiepacieho noža alebo obrobku.** Neúmyselný kontakt týchto prvkov s čepeľou pily môže spôsobiť nebezpečný stav.
- Nastavte štiepací nôž podľa popisu v tomto návode na používanie.** Nesprávne rozstupy, umiestnenie a zarovnanie môže spôsobiť, že štiepací nôž nebude mať účinne znížiť pravdepodobnosť spätného nárazu.
- Aby štiepací nôž a západky proti spätnému nárazu fungovali, musia sa upevniť na obrobku.** Štiepací nôž a západky proti spätnému nárazu sú neúčinné pri rezaní obrobkov, ktoré sú príliš krátke na to, aby sa k nim mohol zaistiť štiepací nôž a západky proti spätnému nárazu. Pri týchto podmienkach nemožno zabrániť spätnému nárazu pomocou štiepacieho noža a západiek proti spätnému nárazu.
- Pre funkciu štiepacieho noža použite správnu čepeľ pily.** Aby mohla funkcia štiepacieho noža správne fungovať, priemer čepele pily sa musí zhodovať s príslušným štiepacím nožom a hlavná časť čepele pily musí byť tenšia ako je hrúbka štiepacieho noža a rezná šírka čepele pily musí byť širšia ako je štiepací nôž.

Výstrahy týkajúce sa rezania

- NEBEZPEČENSTVO: Nikdy sa nepribližujte prstami ani rukami do blízkosti alebo do roviny čepele pily.** V prípade chvíľkovej nepozornosti alebo pošmyknutí sa môže ruka dostať k čepeľi pily a môže dôjsť k vážnemu zraneniu.
- Obrobok posúvajte k čepeľi pily vždy proti smeru otáčania.** Posúvanie obrobku v rovnakom smere, v akom sa otáča čepeľ pily nad stolom môže spôsobiť, že sa obrobok a vaša ruka vtiahne do čepele pily.

- Nikdy nepoužívajte zrezávacie meradlo na posúvanie obrobku pri pozdĺžnom rezaní a nepoužívajte vodidlo na pozdĺžne rezanie ako dĺžkový doraz pri priečnom rezaní pomocou zrezávacieho meradla.** Súčasné vedenie obrobku pomocou vodidla na pozdĺžne rezanie a zrezávacieho meradla zvyšuje pravdepodobnosť zovretia a spätného nárazu čepele pily.
- Pri pozdĺžnom rezaní vždy posúvajte obrobok vyvíjaním sily medzi vodidlom a čepeľou pily. Ak je vzdialenosť medzi vodidlom a čepeľou pily menšia ako 150 mm použite tlačnú tyč a keď je táto vzdialenosť menšia ako 50 mm, použite tlačný blok.** „Pomocné pracovné“ zariadenia udržiavajú vašu ruku v bezpečnej vzdialenosti od čepele pily.
- Používajte len posúvaciu tyčku poskytnutú výrobcom alebo zhotovenú podľa pokynov.** Táto tlačná tyč udržiava dostatočnú vzdialenosť ruky od čepele pily.
- Nikdy nepoužívajte poškodenú alebo pre-rezanú posúvaciu tyčku.** Poškodená tlačná tyč sa môže zlomiť a spôsobiť, že sa vaša ruka pošmykne do čepele pily.
- Žiadne úkony nevykonávajte „voľnou rukou“.** Na umiestnenie a vedenie obrobku vždy používajte buď vodidlo na pozdĺžne rezanie alebo zrezávacie meradlo. „Voľná ruka“ znamená, že sa na podporu alebo vedenie obrobku používa ruka namiesto vodidla na pozdĺžne rezanie alebo zrezávacieho meradla. Pílenie voľnou rukou vedie k nesprávnemu zarovnaniu, zovretiu a spätnému nárazu.
- Nikdy nesiahajte do blízkosti alebo nad rotujúcu čepeľ pily.** Siahanie na obrobok môže viesť k náhodnému kontaktu s pohyblivou čepeľou pily.
- V prípade dlhých a/alebo širokých obrobkov zabezpečte ich rovnú polohu použitím pomocnej podpory obrobku vzadu a/alebo na bokoch.** Dlhý a/alebo široký obrobok má tendenciu otáčať sa na okraji stola a spôsobiť tak stratu kontroly, zovretie čepele pily a spätný náraz.
- Obrobok posúvajte rovnomerným tempom. Obrobok neohýbajte ani neskrúčajte. Ak dôjde k zaseknutiu, nástroj okamžite vypnite, odpojte od elektriny a odstráňte zaseknutie.** Zaseknutie čepele pily obrobkom môže spôsobiť spätný náraz alebo zastavenie motora.
- Neodstraňujte žiadne odrezky, kým je píla spustená.** Materiál môže uviaznuť medzi vodidlom alebo vo vnútri chrániča čepele pily a čepeľ pily môže vtiahnuť vaše prsty do čepele pily. Pred vybratím materiálu vypnite pílu a počkajte, kým sa čepeľ pily nezastaví.
- Pri pozdĺžnom reze obrobkov tenších ako 2 mm použite pomocné vodidlo v kontakte s doskou stola.** Tenký obrobok sa môže zaseknúť pod vodidlom na pozdĺžne rezanie a spôsobiť spätný náraz.

Príčiny spätného nárazu a príslušné varovania
Spätný náraz je náhla reakcia obrobku v dôsledku zovretia, zaseknutia čepele pily alebo nesprávne zarovnaného rezu v obrobku vzhľadom na čepeľ pily alebo keď sa časť obrobku zasekne medzi čepeľou pily a vodidlom na pozdĺžne rezanie alebo iným pevným prvkom.

Počas spätného nárazu sa obrobok najčastejšie zdvihne zo stola prostredníctvom zadnej časti čepele píly a odhodí sa smerom k operátorovi.

Spätný náraz je výsledok nesprávneho používania píly a/alebo nesprávnych prevádzkových postupov alebo podmienok a možno sa mu vyhnúť vykonaním príslušných protipatrení uvedených nižšie.

1. **Nikdy nestojte priamo v rovine s čepeľou píly. Vždy sa postavte na rovnakú stranu čepele píly ako je vozidlo.** Pri spätnom náraze sa môže obrobok odhodíť vysokou rýchlosťou smerom k osobe stojacej vpredu a v jednej rovine s čepeľou píly.
2. **Nikdy nesiahajte nad ani za čepeľ píly, aby ste potiahli alebo podopierali obrobok.** Môže dôjsť k náhodnému kontaktu s čepeľou píly alebo k spätnému nárazu a následnému vtiahnutiu prstov do čepele píly.
3. **Nikdy nedržte ani netlačte rezaný obrobok oproti rotujúcej čepeľi píly.** Pri tlačením obrobku, ktorý sa má rezať, na čepeľ píly, vzniká možnosť zovretia a spätného nárazu.
4. **Zarovnajzte vozidlo tak, aby bolo rovnobežné s čepeľou píly.** V prípade nesprávneho zarovnanja vozidla sa obrobok zachytí o čepeľ píly a vytvorí sa spätý náraz.
5. **Buďte obzvlášť opatrní pri rezaní do „slepej“ oblasti zostavených obrobkov.** Prenikajúca čepeľ píly môže prerezať predmety s dôsledkom spätného nárazu.
6. **Veľké panely podprite, aby sa minimalizovalo riziko zovretia alebo spätného nárazu čepele píly.** Veľké panely sa môžu prehýbať pod vlastnou váhou. Podpery sa musia umiestniť pod všetky časti panela prečnievajúce cez dosku stola.
7. **Pri rezaní obrobku, ktorý je skrútený, uzlový, krivý alebo nemá dostatočne rovnú hranu na vedenie pomocou zrezávacieho meradla alebo pozdĺž vodidla, musíte dbať na zvýšenú opatrnosť.** Krivý, uzlový alebo skrútený obrobok je nestabilný a spôsobuje nesprávne zarovnanie zárezu s čepeľou píly, zovretie a spätý náraz.
8. **Nikdy nerezte viac než jeden obrobok naraz, či už položené na sebe alebo vedľa seba.** Čepeľ píly by mohla zdvihnúť jeden alebo viac kusov a spôsobiť spätý náraz.
9. **Pri opätovnom spúšťaní píly s čepeľou píly v obrobku vycentrujte čepeľ píly v záreze a skontrolujte, či zuby píly nie sú vnorené do materiálu.** Ak je čepeľ píly zovretá, môže pri opätovnom spustení píly zdvihnúť obrobok a spôsobiť spätý náraz.
10. **Cepele píly udržiavajte čisté, ostré a správne nastavené.** Nikdy nepoužívajte krivé čepele píly alebo čepele píly s popraskanými alebo zlomenými zubmi. Ostré a správne nastavené čepele píly minimalizujú zovretie, zastavenie a spätý náraz.

Výstrahy týkajúce sa pracovných postupov so stolovou pilou

1. **Pri demontáži vložky stola, pri výmene čepele píly alebo pri úpravách štiepacieho noža, západiek proti spätnému nárazu alebo chrániča čepele píly a keď stroj nechávate bez dozoru, vypnite stolovú pilu a odpojte napájaci kábel.** Preventívne opatrenia zamedzia nehodám.
2. **Stolovú pilu nikdy nenechávajte bežať bez dozoru. Vypnite ju a neodchádzajte, kým sa úplne nezastaví.** Spustená píla bez dozoru predstavuje nekontrolované riziko.

3. **Stolovú pilu umiestnite na dobre osvetlenom a rovnom mieste, kde si môžete udržať dobrý postoj a rovnováhu.** Mala by byť nainštalovaná na mieste, ktoré poskytuje dostatok priestoru na jednoduché zaobchádzanie s obrobkom danej veľkosti. Stiesnené, tmavé priestory a nerovné klzké povrchy prívolaávajú úrazy.
4. **Často čistite a odstraňujte piliny spod stola píly a/alebo odsávača prachu.** Nahromadené piliny sú horľavé a môžu sa samovoľne vznietiť.
5. **Stolová píla musí byť zaistená.** Stolová píla, ktorá nie je riadne zaistená, sa môžu posúvať alebo prevrátiť.
6. **Pred zapnutím stolovej píly vyberte spod stola nástroje, drevené zvyšky a pod.** Vystrelenie alebo potenciálne zaseknutie môže byť nebezpečné.
7. **Vždy používajte čepele píly so správnou veľkosťou a tvarom otvorov na hriadeľ (diamantový alebo okrúhly).** Čepele píly, ktoré nezodpovedajú spôsobu uchytienia na píle, sa budú pohybovať excentricky a spôsobia stratu kontroly.
8. **Nikdy nepoužívajte poškodené alebo nesprávne montážne prostriedky čepele píly, ako sú príruby, podložky čepele píly, skrutky alebo matice.** Tieto montážne prvky sú špeciálne navrhnuté pre vašu pilu, na bezpečnú prevádzku a optimálny výkon.
9. **Nikdy nestojte na stolovej pile, nepoužívajte ju ako stôlček na dočiahnutie vyššie.** Ak by sa nástroj prevrhol alebo ak by došlo k náhodnému kontaktu s rezným náradím, mohlo by dôjsť k vážnemu zraneniu.
10. **Uistite sa, že je čepeľ píly nainštalovaná tak, aby sa otáčala správnym smerom. Na stolovej pile nepoužívajte brúsne kotúče, drôtené kefy a pod.** Nesprávne namontovaný čepeľ píly alebo použitie neodporúčaného príslušenstva môže spôsobiť vážne poranenie.

Doplňujúce pokyny

1. **Používajte len čepele píly s vyznačenou maximálnou rýchlosťou, ktorá sa rovná alebo je vyššia ako rýchlosť vyznačená na nástroji.**
2. **Cepeľ píly vyberajte primerane podľa rezaného materiálu.**
3. **Pri manipulácii s čepeľou píly používajte rukavice.**
4. **Pred montážou kotúča očistite vreteno, príruby (najmä montážny povrch) a šesťhrannú maticu.** Nesprávna montáž môže spôsobiť vibrácie/kmitanie alebo preklzávanie kotúča.
5. **Nerezte kovové predmety, ako sú kľince a skrutky. Pred prácou skontrolujte, či na obrobku nie sú kľince, skrutky a iný cudzí materiál a ak sú, odstráňte ich.**
6. **NIKDY nedovoľte, aby sa v rovine s dráhou čepele píly nachádzala iná osoba.**
7. **Skôr než použijete nástroj na obrobku, nechajte ho chvíľu bežať. Sledujte, či nedochádza k vibráciám alebo hádzaniu, ktoré by mohli naznačovať nesprávnu montáž alebo nesprávne vyváženú čepeľ.**
8. **Tento nástroj sa nesmie používať na drážkovanie.**
9. **Keď je vložka stola opotrebovaná, vymeňte ju.**
10. **Keď sa posúvacia tyčka nepoužíva, uskladnite ju.**

11. Vyklepte všetky voľné uzly z obrobku a až POTOM začnite rezať.
12. Niekedy prach vytváraný pri práci obsahuje chemikálie, o ktorých je známe, že spôsobujú rakovinu, poruchy plodu alebo iné reprodukčné poškodenia. Niekoľko príkladov takýchto chemikálií:
 - olovo z maliarskych materiálov na báze olova a
 - arzén a chróm z chemicky ošetrovaného stavebného dreva.
 Riziko ohrozenia týmito látkami sa líši v závislosti od toho, ako často vykonávate tento typ práce. Na zníženie rizík spôsobených vystavením sa týmito chemikáliám pracujte na dobre vetranom mieste a pracujte s odporúčanými bezpečnostnými pomôckami, napríklad s protiprachovými maskami, ktoré sú špeciálne určené na filtrovanie mikroskopických častíc.
13. Pred zapojením nástroja do elektriny sa vždy uistite, že doplnkové kryty sú dolu a naplocho voči stolu píly.
14. Predlžovacie káble pravidelne kontrolujte a v prípade poškodenia vymeňte.
15. (Len pre európske krajiny)
Používajte len čepele píly určené výrobcom, ktoré vyhovujú norme EN847-1.

INŠTALÁCIA

Umiestnenie stolovej píly

- **Obr.1:** 1. Priemer otvoru 8 mm
- **Obr.2:** 1. 6 mm štand. podložka 2. Skrutka do dreva č. 10 s min. dĺžkou 40 mm
- **Obr.3:** 1. 6 mm štand. podložka 2. 6 mm upevňovacia skrutka a matica pevne dotiahnite

Stolovú pílu umiestnite na dobre osvetlenom a rovnom mieste, kde si môžete udržať dobrý postoj a rovnováhu. Mala by byť nainštalovaná na mieste, ktoré poskytuje dostatok priestoru na jednoduché zaobchádzanie s obrobkami danej veľkosti. Stolová píla musí byť zaistená štyrmi skrutkami k pracovnému stolu alebo stojanu stolovej píly pomocou príslušných otvorov na spodnej strane stolovej píly. Pri zaistovaní stolovej píly k pracovnému stolu dbajte na to, aby bol na doske pracovného stola otvor rovnakej veľkosti ako otvor na spodnej strane stolovej píly, aby cezeň mohli prepadávať piliny. Ak počas činnosti existuje náznak možného prevrátenia, kĺzania alebo posúvania stolovej píly, pracovný stól alebo stojan stolovej píly je nutné pripevniť k podlahe.

Skladovanie príslušenstva

- **Obr.4:** 1. Zrezávacie meradlo
- **Obr.5:** 1. Vodidlo na pozdĺžne rezanie 2. Posúvacia tyčka 3. Západky proti spätnému nárazu

Zrezávacie meradlo, čepele píly a kľúče môžete skladovať na ľavej strane základne. Na pravej strane základne môžete skladovať vodidlo na pozdĺžne rezanie, tlačnú tyč a západky proti spätnému nárazu.

OPIS FUNKCIÍ

▲POZOR: Pred nastavovaním nástroja alebo kontrolou jeho funkcie sa vždy presvedčte, že je vypnutý a vytiahnutý zo zásuvky.

Chránič čepele

▲VAROVANIE: Nikdy neodstraňujte chránič čepele ani neobmedzujte jeho činnosť. Odhalený kotúč v dôsledku zablokovania alebo demontovania krytu môže mať za následok vážne zranenie osôb počas používania.

▲VAROVANIE: Nikdy nepoužívajte nástroj s poškodeným, chybným alebo demontovaným chráničom čepele. Používanie nástroja s poškodeným, chybným alebo demontovaným krytom môže mať za následok vážne zranenia osôb.

- **Obr.6:** 1. Chránič čepele 2. Doplnkový kryt

Pri rezaní tlačte obrobok smerom ku kotúču tak, aby sa dolný okraj doplnkového krytu dotýkal hlavného stola. Pri posúvaní obrobku chránič čepele a vedľajší chránič prechádzajú cez okraj obrobku.

V záujme vašej bezpečnosti vždy udržiajte chránič čepele a vedľajší chránič v dobrom stave. Akákoľvek chybná činnosť chrániča čepele a vedľajšieho chrániča sa musí okamžite opraviť. Skontrolujte, či je chránič čepele a vedľajší chránič dole a že sa spodný okraj vedľajšieho chrániča dotýka hlavného stola, keď sa obrobok neposúva.

Ak sa priehľadné diely znečistia alebo sa na ne prilepia piliny a kotúč a/alebo obrobok takmer nevidno, odpojte nástroj od elektriny a opatrne vyčistite priehľadné diely pomocou vlhkej handričky. Na čistenie nepoužívajte rozpúšťadlá ani čistiace prostriedky na báze benzínu, pretože môžu spôsobiť poškodenie dielov. Ak sa v priebehu času alebo z dôvodu vystavenia UV žiareniu zmení farba priehľadných dielov, obráťte sa na servisné centrum spoločnosti Makita a požiadajte o nové diely. **NEODSTRÁŇUJTE CHRÁNIČ ČEPELE A VEDĽAJŠÍ CHRÁNIČ ANI NEOBMEDZUJTE ICH ČINNOSŤ.**

Nastavenie hĺbky rezu

- **Obr.7:** 1. Rukoväť

Hĺbku rezu je možné nastaviť otáčaním rukoväte. Otočte rukoväť v smere hodinových ručičiek, aby ste zdvihli čepeľ píly alebo proti smeru hodinových ručičiek, aby ste ju spustili.

POZNÁMKA: Pri rezaní tenkých materiálov použite nastavenie malej hĺbky rezu na dosiahnutie čistejšieho rezu.

Nastavenie uhla skosenia

- **Obr.8:** 1. Poistná páčka 2. Ukazovateľ 3. Ručné koleso

Uvoľnite poistnú páku proti smeru hodinových ručičiek a otáčajte ručným kolesom, kým sa nedosiahne požadovaný uhol (0° – 45°). Uhol skosenia je signalizovaný ukazovateľom. Po dosiahnutí požadovaného uhla dotiahnite poistnú páku v smere hodinových ručičiek, aby ste zaistili nastavenie.

▲POZOR: Po nastavení uhla skosenia sa uistite, že je zaist'ovacia páka pevne utiahnutá.

Nastavenie dorazu

► **Obr.9:** 1. Nastavovacia skrutka 90° 2. Nastavovacia skrutka 45°

► **Obr.10**

Nástroj je vybavený dorazom pri uhle 90° a 45° k povrchu stola. Pri kontrole a nastavení dorazov postupujte takto: Posuňte ručné koleso jeho otáčaním až na doraz. Umiestnite na stôl trojuholníkové pravítko a skontrolujte, či je čepeľ píly pod uhlom 90° alebo 45° k povrchu stola. Ak je čepeľ píly pod uhlom, ako je uvedený na obrázku A, otáčajte nastavovacie skrutky v smere hodinových ručičiek; ak je pod uhlom uvedeným na obrázku B, otáčajte nastavovacie skrutky proti smeru hodinových ručičiek a nastavte kladné dorazy.

Po nastavení kladných dorazov nastavte čepeľ píly na uhol 90° k povrchu stola. Potom nastavte ukazovateľ tak, aby bol jeho pravý okraj zarovnaný s dielikom 0°.

► **Obr.11:** 1. Ukazovateľ

Zapnutie

► **Obr.12:** 1. Vypínač

⚠ POZOR: Pred prevádzkou sa uistite, že zariadenie je vypnuté.

Zariadenie sa zapína stlačením tlačidla ON (I). Zariadenie sa vypína stlačením tlačidla OFF (O).

Doplnkové ochranné vodidlo (vodidlo na pozdĺžne rezanie)

► **Obr.13:** 1. Upínacia skrutka 2. Vodidlo na pozdĺžne rezanie 3. Doplnkové ochranné vodidlo 4. Kofajnica

Keď sa vodidlo na pozdĺžne rezanie blíži k čepeľi píly, použite doplnkové ochranné vodidlo na podoprenie obrobku. Uvoľnite upínaciu skrutku a vysuňte doplnkové ochranné vodidlo z kofajnice. Pripevnite doplnkové ochranné vodidlo podľa obrázka a utiahnite upínacie skrutky.

Keď je vodidlo na pozdĺžne rezanie upevnené na ľavej strane čepele píly, zmeňte polohu doplnkového ochranného vodidla. Demontujte upínacie skrutky, doplnkové ochranné vodidlo a kofajnicu z vodidla na pozdĺžne rezanie. Pomocou odstránených upínacích skrutiek voľne upevnite kofajnicu k pravej strane vodidla na pozdĺžne rezanie. Potom pripevnite doplnkové ochranné vodidlo a utiahnite upínacie skrutky.

► **Obr.14:** 1. Vodidlo na pozdĺžne rezanie 2. Doplnkové ochranné vodidlo 3. Upínacia skrutka 4. Kofajnica

Vedľajší stôl (pravý)

► **Obr.15:** 1. Páčka

► **Obr.16:** 1. Vedľajší stôl (pravý)

Tento nástroj je vybavený vedľajším stolom (pravý) na pravej strane hlavného stola. Ak chcete použiť vedľajší stôl (pravý), zdvihnite obidve páky na prednej pravej strane, úplne vytiahnite stôl (pravý) a potom spustite páky na jeho zaistenie. Ak používate vedľajší stôl (pravý), umiestnite dosku meradla na vedľajší stôl po uvoľnení príslušnej skrutky pomocou skrutkovača tak, aby bol umiestnený súběžne s doskou meradla na hlavnom stole.

► **Obr.17:** 1. Štítko so stupnicou 2. Skrutka

Vedľajší stôl (zadný)

Voliteľné príslušenstvo

► **Obr.18:** 1. Vedľajší stôl (zadný) 2. Skrutka

Ak chcete použiť vedľajší stôl (zadný), uvoľnite skrutku na ľavej a pravej strane pod stolom a vytiahnite ho smerom dozadu na požadovanú dĺžku. Pri požadovanej dĺžke skrutky pevne utiahnite.

POZNÁMKA: Ak používate vedľajší stôl (zadný) počas používania vodidla na pozdĺžne rezanie, vytiahnite vedľajší stôl (zadný) o viac ako 50 mm tak, aby nezasahoval do vrchného konca vodidla na pozdĺžne rezanie.

Vedľajší stôl (ľavý)

Voliteľné príslušenstvo

► **Obr.19:** 1. Skrutka 2. Vedľajší stôl (ľavý)

Vedľajší stôl (ľavý) (voliteľné príslušenstvo) môžete namontovať na ľavú stranu stola, aby ste získali širší priestor.

Západky proti spätnému nárazu

⚠ VAROVANIE: Západky proti spätnému nárazu používajte počas rezania vždy, keď je to možné. Pomáhajú zabrániť odhodeniu materiálu smerom k obsluhujúcej osobe počas situácie spätného nárazu, čo by mohlo mať za následok vážne zranenie.

► **Obr.20:** 1. Západka proti spätnému nárazu 2. Svorka

Ak chcete demontovať západky proti spätnému nárazu z nástroja, povoľte svorky na spodnej strane západiek a vytiahnite ich. Pri ich vkladaní vykonajte postup demonštrácie v opačnom poradí.

ZOSTAVENIE

⚠ POZOR: Skôr než začnete na nástroji robiť akékoľvek práce, vždy sa predtým presvedčte, že je vypnutý a vytiahnutý zo zásuvky.

Inštalácia alebo demontáž čepele píly

⚠ POZOR: Pred inštaláciou alebo odstránením čepele píly sa vždy uistite, že je nástroj je vypnutý a odpojený od napájania.

⚠ POZOR: Na vloženie alebo vybratie čepele píly používajte výhradne kľúč od spoločnosti Makita. Nedodržanie tohto pokynu môže zapríčiniť prílišné alebo nedostatočné utiahnutie skrutky so šesťhrannou hlavou. Môže to spôsobiť zranenie.

⚠ POZOR: Použite nasledujúcu čepeľ píly. Nepoužívajte čepele píly, ktoré nemajú vlastnosti uvedené v tomto návode.

Priemer	Hrúbka kotúča	Rez
260 mm	Max. 1,9 mm	Min. 2,1 mm

1. Povoľte skrutku na vložke stola a vyberte ju.
2. Zahnutým kľúčom držte vonkajšiu prírubu a otáčaním kľúča proti smeru hodinových ručičiek uvoľnite šesťhrannú maticu. Potom vyberte vonkajšiu prírubu.
 - **Obr.21:** 1. Zahnutý kľúč 2. Šesťhranná matica 3. Kľúč
3. Namontujte vnútornú prírubu, krúžok, čepeľ píly, vonkajšiu prírubu a šesťhrannú maticu na hriadeľ a uistite sa, že zuby čepele smerujú nadol k prednej strane stola. Vždy vkladajte šesťhrannú maticu so zapustenou stranou smerom k vonkajšej prírubu.
 - **Obr.22:** 1. Vnútorná prírubu 2. Krúžok 3. Čepeľ píly 4. Vonkajšia prírubu 5. Šesťhranná matica

▲POZOR: Uistite sa, že je čepeľ píly namontovaná tak, aby boli zuby zarovnané v smere rezania (otáčania).

▲POZOR: Pred montážou čepele píly skontrolujte priemer otvoru na hriadeľ čepele píly. Vždy používajte správny krúžok pre otvor na hriadeľ čepele píly, ktorú chcete použiť. Veľkosť dodávaných krúžkov sa líši v závislosti od krajiny.

- V prípade nástroja pre čepeľ píly s priemerom otvoru 30 mm sa dodáva krúžok s vonkajším priemerom 30 mm.
- V prípade nástroja pre čepeľ píly s priemerom otvoru 25,4 mm a 25 mm sa dodávajú strieborné a čierne krúžky. Strieborný krúžok použite pre čepeľ píly s priemerom otvoru 25,4 mm a čierny krúžok pre čepeľ píly s pilovým kotúčom s priemerom otvoru 25 mm.

4. Ak chcete zaistiť čepeľ píly na mieste, pridržiť vonkajšiu prírubu pomocou zahnutého kľúča a potom kľúčom dotiahnite šesťhrannú maticu v smere hodinových ručičiek. **DBAJTE NA TO, ABY BOLA ŠEŠŤHRANNÁ MATICA PEVNE DOTIAHNUTÁ.**
 - **Obr.23:** 1. Zahnutý kľúč 2. Kľúč

▲POZOR: Povrch príruby udržiavajte čistý od nečistôt alebo iného prichyteného materiálu. Mohlo by to spôsobiť preklzovanie kotúča.

▲POZOR: Dbajte na to, aby ste šesťhrannú maticu pevne držali kľúčom. Ak by sa vám rukoväť zošmykla, kľúč by sa mohol vytiahnuť zo šesťhrannej matice a mohli by ste rukou zasiahnuť ostré hrany čepele.

5. Upevnite vložku stola na svoje miesto pomocou skrutky.

Nastavenie štiepacieho noža

▲POZOR: Ak nie sú čepeľ píly a štiepiaci nôž správne zarovnané, počas prevádzky môže dôjsť k nebezpečnému zovretiu. Dbajte na ich správne zarovnanie. Pri používaní nástroja bez riadne vyrovnaného štiepacieho noža sa môžete vážne poraniť.

▲POZOR: NIKDY nevykonávajte žiadne úpravy, keď je nástroj spustený. Pred vykonávaním úprav odpojte nástroj od elektriny.

▲POZOR: Nedemontujte štiepiaci nôž.

- **Obr.24:** 1. Chránič čepele 2. Štiepiaci nôž 3. Skrutka

Poloha štiepacieho noža je z výroby nastavená tak, aby boli čepeľ píly a štiepiaci nôž v jednej rovine. Ak čepeľ píly a štiepiaci nôž nie sú v jednej rovine, musíte ich upraviť.

Povoľte skrutku na vložke stola a vyberte ju z hlavného stola. Uvoľnite skrutky so šesťhrannou hlavou (B) a nastavte upevňovaciu časť chrániča čepele (opora) tak, aby bol štiepiaci nôž zarovnaný priamo za čepeľou píly. Potom utiahnite skrutky so šesťhrannou hlavou (B), aby ste zaistili oporu a vložku stola na svoje miesto.

- **Obr.25:** 1. Kotúč 2. Tieto dve vzdialenosti by mali byť rovnaké. 3. Štiepiaci nôž 4. Skrutky so šesťhrannou hlavou (B) 5. Skrutky so šesťhrannou hlavou (A)

Medzi štiepiacim nožom a zubami čepele musí byť voľná vzdialenosť cca 4 – 5 mm. Uvoľnite skrutky so šesťhrannou hlavou (A), nastavte príslušným spôsobom štiepiaci nôž a pevne utiahnite skrutky so šesťhrannou hlavou (A). Pripevnite vložku stola k stolu pomocou skrutky a ešte pred rezaním skontrolujte, či chránič čepele funguje bez problémov.

- **Obr.26:** 1. Štiepiaci nôž 2. Chránič ostria 3. Vzdialenosť 4 – 5 mm

Inštalácia a nastavenie vodidla na pozdĺžne rezanie

- **Obr.27:** 1. Háčik 2. Otočný gombík 3. Vodiaca lišta

1. Namontujte háčik na špičke vodidla na pozdĺžne rezanie do vzdialenejšej vodiacej lišty na stole alebo vedľajšom stole (pravý) a nainštalujte a zatlačte vodidlo na pozdĺžne rezanie dopredu tak, aby držiak vodidla zapadol do najbližšej vodiacej lišty.

2. Ak chcete nasunúť vodidlo na pozdĺžne rezanie na bočnú stranu vodiacej lišty, vráťte gombík úplne na držiak vodidla bez toho, aby ste potiahli páčku na gombíku.

Ak chcete zaistiť vodidlo na pozdĺžne rezanie, úplne otočte gombík na držiaku vodidla.

3. Ak chcete odstrániť vodidlo na pozdĺžne rezanie, potiahnite páku na gombíku a otočte gombík úplne dopredu pri súčasnom ťahaní páky.

Ak chcete skontrolovať, či je vodidlo na pozdĺžne rezanie rovnobežné s čepeľou píly, zaistíte vodidlo na pozdĺžne rezanie 2 – 3 mm od čepele píly. Zodvihnite kotúč do maximálnej výšky. Jeden zub kotúča označte ceruzkou. Zmerajte vzdialenosť (A) a (B) medzi vodidlom na pozdĺžne rezanie a čepeľou píly. Obe merania vykonajte pomocou zuba označeného ceruzkou. Tieto dve vzdialenosti musia byť rovnaké. Ak vodidlo na pozdĺžne rezanie nie je rovnobežné s čepeľou píly, postupujte nasledovne:

- **Obr.28:** 1. Stupnica

1. Umiestnite vodidlo na pozdĺžne rezanie do posuvnej polohy.
2. Uvoľnite dve skrutky so šesťhrannou hlavou na vodidle na pozdĺžne rezanie pomocou dodaného šesťhranného kľúča.
- **Obr.29:** 1. Skrutky so šesťhrannou hlavou

- Nastavte vodidlo na pozdĺžne rezanie tak, aby bolo rovnobežné s čepeľou píly.
 - Otočte nadol gombík na vodidlo na pozdĺžne rezanie smerom k operátorovi.
 - Uťahnite dve skrutky so šesťhrannou hlavou na vodidle na pozdĺžne rezanie.
- Obr.30

⚠ POZOR: Dbajte na to, aby ste nastavili vodiacu líštu tak, aby bola rovnobežná s čepeľou píly. V opačnom prípade môže dôjsť k nebezpečnému spätnému nárazu.

Ak nie je možné pevne zaistiť vodidlo na pozdĺžne rezanie, nastavte ho podľa nasledujúceho postupu.

- Umiestnite vodidlo na pozdĺžne rezanie na stôl a potom otočte gombík o polovicu otáčky (poloha posúvania). Uťahnite skrutku (A), aby sa vodidlo na pozdĺžne rezanie nepohybovalo. Potom povoľte o 1/4 až 1/2 otáčky.

► Obr.31: 1. Vodidlo na pozdĺžne rezanie 2. Poloha uvoľnenia 3. Poloha posúvania 4. Poloha zablokovania

► Obr.32: 1. Vodidlo na pozdĺžne rezanie 2. Poloha posúvania 3. Skrutka (B) 4. Skrutka (A)

- Skrutku (B) úplne utiahnite a potom povoľte asi o 2 celé otáčky.

3. Zaistite vodidlo na pozdĺžne rezanie úplným otočením gombíka na držiaku vodidla (poloha zablokovania).

4. Uistite sa, že je možné namontovať a odstrániť vodidlo na pozdĺžne rezanie v pôvodnej polohe (poloha uvoľnenia).

5. Uistite sa, že je možné vodidlo na pozdĺžne rezanie posúvať hladko bez kolísania, keď je gombík v polovici trasy.

UPOZORNENIE: Dávajte pozor, aby ste skrutky neutiahli viac, než je uvedené v predchádzajúcich pokynoch. V opačnom prípade môže dôjsť k poškodeniu upevnených dielov.

Posuňte vodidlo na pozdĺžne rezanie do roviny oproti bočnej strane čepele píly. Skontrolujte, či vodiaca čiara na držiaku vodidla ukazuje na hodnotu 0. Ak vodiaca čiara neukazuje na hodnotu 0, povoľte skrutku na štítku so stupnicou a nastavte ho.

► Obr.33: 1. Vodiaca čiara 2. Skrutky

Pripojenie k vysávaču

Čistenie sa môže vykonávať pripojením nástroja k vysávaču alebo k zberaču prachu značky Makita.

► Obr.34

PREVÁDZKA

⚠ POZOR: Vždy, keď existuje nebezpečenstvo, že sa vaše ruky alebo prsty môžu dostať do blízkosti čepele píly, používajte „pracovných pomocníkov“, ako sú tlačné tyče a tlačné bloky.

⚠ POZOR: Vždy držte obrobok pevne so stolom a vodidlom na pozdĺžne rezanie alebo zrezávacím meradlom. Počas posúvania ho neohýbajte ani neskrúčajte. Ak je obrobok ohnutý alebo skrútený, môže dôjsť k nebezpečným spätným nárazom.

⚠ POZOR: NIKDY nevyberajte obrobok, keď je čepeľ píly v prevádzke. Ak musíte stiahnuť obrobok späť pred dokončením rezu, najprv vypnite nástroj, pričom pevne držte obrobok. Pred vybratím obrobku počkajte, kým sa čepeľ píly úplne zastaví. V opačnom prípade môže dôjsť k nebezpečným spätným nárazom.

⚠ POZOR: NIKDY neodstraňuje rezný materiál počas prevádzky čepele píly.

⚠ POZOR: NIKDY sa nepribližujte rukami alebo prstami k dráhe čepele píly. Buďte obzvlášť opatrní pri skosených rezoch.

⚠ POZOR: Vždy pevne zaistite vodidlo na pozdĺžne rezanie, inak sa môžu vyskytnúť nebezpečné spätné nárazy.

⚠ POZOR: Pri rezaní malých alebo úzkych obrobkov vždy používajte „pracovných pomocníkov“, ako sú tlačné tyče a tlačné bloky.

Pracovní pomocníci

Typmi „pracovných pomocníkov“ sú tlačné tyče, tlačné bloky alebo pomocné vodidlo. Používajte ich na vykonávanie bezpečných a istých rezov bez toho, aby akákoľvek časť tela operátora prišla do kontaktu s čepeľou píly.

Posúvací blok

► Obr.35: 1. Predná strana/hrana rovnobežne 2. Rukoväť 3. Skrutka do dreva 4. Zlepťe dohromady

Použite 19 mm kus preglejky.

Rukoväť má byť v strede kusu preglejky. Upevnite pomocou lepidla a skrutiek na drevo podľa obrázka. K preglejke musí byť vždy prilepený malý kus 9,5 mm x 8 mm x 50 mm dreva, aby sa čepeľ píly neotúpila, ak operátor omylom zareže do tlačného bloku. (V posúvacom bloku nikdy nepoužívajte kince.)

Pomocné vodidlo

► Obr.36: 1. Predná strana/hrana rovnobežne

Vytvorte si pomocné vodidlo z kusov preglejky hrúbky 9,5 a 19 mm.

Pozdĺžny rez

▲POZOR: Pri pozdĺžnom rezaní odstráňte zo stola zrezávacie meradlo.

▲POZOR: Pri rezaní dlhých alebo veľkých obrobkov vždy zaistíte primeranú podporu za stolom. NEUMOŽNITE, aby sa dlhá doska hýbala alebo posúvala na stole. Spôsobí to, že sa čepeľ píly zasekne a zvýši sa možnosť spätného nárazu a zranenia. Podpera má byť v rovnakej výške ako stôl.

▲POZOR: Nevykonávajte skosené pozdĺžne pílenie na skosenej strane čepele píly.

1. Nastavte hĺbku rezu mierne väčšiu ako hrúbka obrobku.

► Obr.37

2. Umiestnite vodidlo na pozdĺžne rezanie na požadovanú šírku pozdĺžneho rezania a zaistíte ho otáčaním gombíka. Pred pozdĺžnym rezaním skontrolujte, či je zadný koniec vodidla na pozdĺžne rezanie pevne zaistený. Ak nie je dostatočne zaistený, postupujte podľa pokynov v časti s názvom „Inštalácia a nastavenie vodidla na pozdĺžne rezanie“.

3. Zapnite nástroj a jemne posúvajte obrobok do čepele píly spolu s vodidlom na pozdĺžne rezanie.

Keď je šírka pozdĺžneho rezu 150 mm a viac, obrobok opatrne posúvajte pravou rukou. Pomocou ľavej ruky držte obrobok v polohe oproti vodidlu na pozdĺžne rezanie.

► Obr.38

Keď je šírka pozdĺžneho rezu v rozsahu 65 až 150 mm, na posúvanie obrobku použite posúvaciu tyčku.

► Obr.39: 1. Posúvacia tyčka

Ak je šírka pozdĺžneho rezania menšia ako 65 mm, tlačnú tyč nie je možné použiť, pretože tlačná tyč bude zasahovať do chrániča čepele. Použite pomocné vodidlo a tlačný blok. Pripevnite pomocné vodidlo k vodidlu na pozdĺžne rezanie pomocou dvoch svoriek „C“.

Obrobok posúvajte rukou, kým koniec nie je približne 25 mm od prednej hrany stola.

► Obr.40

Pokračujte v posúvaní pomocou posúvacieho bloku na hornej strane pomocného vodidla až do dokončenia rezu.

► Obr.41: 1. Posúvací blok 2. Pomocné vodidlo

Priečne rezanie

▲POZOR: Pri vykonávaní priečného rezania odstráňte zo stola vodidlo na pozdĺžne rezanie.

▲POZOR: Pri rezaní dlhých alebo veľkých obrobkov vždy zaistíte primeranú podporu na bokoch stola. Podpera má byť v rovnakej výške ako stôl.

▲POZOR: Ruky udržujte mimo dráhy kotúča.

Zrezávacie meradlo

► Obr.42: 1. Priečne rezanie 2. Zrezávanie 3. Skosené rezanie 4. Zložené zrezávanie (uhly)

Zrezávacie meradlo používajte na 4 typy rezaní, ktoré sú zobrazené na obrázku.

▲POZOR: Opatrne zaistíte gombík na zrezávacom meradle.

▲POZOR: Zabráňte posúvaniu obrobku a meradla pri pevnom pracovnom usporiadaní, najmä pri rezaní pod uhlom

▲POZOR: NIKDY nedržte ani neuchopujte zamýšľanú „reznú“ časť obrobku.

▲POZOR: Vždy nastavte vzdialenosť medzi koncom zrezávacieho meradla a čepeľ píly na menej ako 15 mm.

Kladný doraz zrezávacieho meradla

► Obr.43: 1. Skrutka na doraz 2. Pliešok 3. Otočný gombík

Zrezávacie meradlo je vybavené kladnými dorazmi pri pravých a ľavých uhloch zrezávania 90°, 45° pre rýchle nastavenie uhlov zrezávania.

Ak chcete nastaviť uhol zrezávania, uvoľnite gombík na zrezávacom meradle.

Nadvhňte malú dosku na zrezávacom meradle pre voľné nastavenie. Otočte zrezávacie meradlo na požadovaný uhol zrezávania. Vráťte malú dosku na zrezávacom meradle do pôvodnej polohy a pevne dotiahnite gombík v smere hodinových ručičiek.

Použitie zrezávacieho meradla

► Obr.44: 1. Drážka 2. Zrezávacie meradlo 3. Otočný gombík

Posuňte zrezávacie meradlo do hrubých drážok v stole. Uvoľnite gombík na meradle a zarovnajete ho do požadovaného uhla (0° až 60°). Presuňte surový materiál do roviny oproti vodidlu a jemne ho posúvajte dopredu do čepele píly.

Pomocné meradlo (zrezávacie meradlo)

► Obr.45: 1. Pomocné meradlo

Pomocné meradlo na zrezávacom meradle zabraňuje hádzaniu obrobku. Uvoľnite skrutku na zrezávacom meradle a nastavte polohu pomocného meradla.

Prenášanie náradia

► Obr.46

Uistite sa, že nástroj je odpojený od siete. Nástroj prenášajte uchopením podľa obrázka.

▲POZOR: Pred prenášaním náradia vždy zaistíte všetky jeho pohyblivé časti.

▲POZOR: Pred prenášaním nástroja sa uistite, že je chránič čepele a vedľajší chránič dole a že sa spodný okraj vedľajšieho chrániča dotýka hlavného stola.

ÚDRŽBA

⚠ POZOR: Pred vykonávaním kontroly a údržby nástroj vždy vypnite a odpojte od prívodu elektrickej energie.

UPOZORNENIE: Nepoužívajte benzín, riedidlo, alkohol ani podobné látky. Mohlo by to spôsobiť zmenu farby, deformácie alebo praskliny.

Čistenie

Občas je potrebné očistiť nástroj od pilín a kúsok dreva. Opatrne vyčistite chránič čepele a pohyblivé časti vo vnútri stolovej píly.

Pri odstraňovaní pilín nahromadených pod čepelou píly odstráňte vložku stola a pomocou odfukovača vzduchu vyfúknite piliny z prípojky na vysávač.

Mazanie

Na zachovanie dokonalého stavu stolovej píly a na zaručenie maximálnej životnosti občas namažte alebo namažte pohybujuce sa a rotujúce časti.

Miesta mazania:

- Závitový hriadeľ na zdvíhanie čepele píly
- Záves na otáčanie rámu
- Vodiace hriadele výšky na motore
- Prevod na zdvíhanie čepele píly
- Vodiace lišty pre vodidlo na pozdĺžne rezanie
- Hriadeľ zaistovacích pák vedľajšieho stola (pravý)
- Posuvná časť vedľajšieho stola (pravý)

Výmena uhlíkových kefiiek

Pravidelne kontrolujte uhlíkové kefiiky.

Ak sú opotrebované až po medznú značku, vymeňte ich. Uhlíkové kefiiky musia byť čisté a musia voľne zapadať do svojich držiakov. Obe uhlíkové kefiiky sa musia vymieňať naraz. Používajte len identické uhlíkové kefiiky.

► **Obr.47:** 1. Medzná značka

1. Skladujte pomocný stôl (pravý). Pred skladovaním vodidla na pozdĺžne rezanie ho demontujte.

2. Uvoľnite zaistovaciu páku a otáčajte ručné koleso, až kým nebude hlava píly naklonená do uhla skosenia 45°. Potom utiahnite zaistovaciu páku.

► **Obr.48:** 1. Vodidlo na pozdĺžne rezanie 2. Poistná páčka 3. Ručné koleso

3. Postavte nástroj na pravú stranu.

► **Obr.49**

4. Uvoľnite skrutky na spodnej doske a odmontujte ju.

5. Pomocou skrutkovača uvoľnite veká držiaka kefiiek a odstráňte opotrebované uhlíkové kefiiky.

► **Obr.50:** 1. Spodná doska 2. veko držiaka uhlíka 3. Skrutkovač

6. Vložte nové uhlíkové kefiiky a zaistite veká držiaka kefiiky.

7. Pripevnite spodnú dosku pomocou skrutiek a opatrne položte nástroj na jeho spodnú stranu. Ak je vodidlo na pozdĺžne rezanie demontované, odložte ho.

Ak chcete udržať **BEZPEČNOSŤ** a **BEZPORUCHOVOSŤ** výrobku, prenechajte opravy, údržbu a nastavenie na autorizované alebo továrenské servisné centrá Makita, ktoré používajú len náhradné diely značky Makita.

VOLITEĽNÉ PRÍSLUŠENSTVO

⚠ POZOR: Pre váš nástroj Makita, opísaný v tomto návode, doporučujeme používať toto príslušenstvo a nástavce. Pri použití iného príslušenstva či nástavcov môže hroziť nebezpečenstvo zranenia osôb. Príslušenstvo a nástavce sa môžu používať len na účely pre ne stanovené.

Ak potrebujete bližšie informácie týkajúce sa tohoto príslušenstva, obráťte sa na vaše miestne servisné stredisko firmy Makita.

- Oceleové čepele píly s karbidovým koncom
- Vedľajší stôl (ľavý)
- Vedľajší stôl (zadný)
- Vodidlo na pozdĺžne rezanie
- Zrezávacie meradlo
- Zahnutý kľúč 13 – 22
- Kľúč č. 19
- Šesťhranný kľúč 5
- Spojka (na pripojenie k zberaču prachu)
- Súprava stojana stola

Pozrite si návod na používanie stojana stolovej píly, ktorý je súčasťou stojana stolovej píly dodávaného ako voliteľné príslušenstvo.

POZNÁMKA: Niektoré položky zo zoznamu môžu byť súčasťou balenia nástrojov vo forme štandardného príslušenstva. Rozsah týchto položiek môže byť v každej krajine odlišný.






SPECIFIKACE

Model:		2704N
Upínací otvor (dle země použití)		30 mm / 25,4 mm
Průměr kotouče		260 mm
Max. kapacita řezání	úkos 0°	93 mm
	úkos 45°	64 mm
Otáčky bez zatížení		5 200 min ⁻¹
Velikost stolu (D x Š)	s pomocnými stoly (P) a (zadní)	1 045 mm x 1 066 mm (stoly rozložené) 665 mm x 753 mm (stoly složené)
	s pomocným stolem (P) bez pomocného stolu (zadní)	567 mm x 1 066 mm (stůl rozložen) 567 mm x 753 mm (stůl složen)
Rozměry (D x Š x V) se slože- ným stolem / složenými stoly	s pomocnými stoly (P) a (zadní)	715 mm x 753 mm x 483mm
	s pomocným stolem (P) bez pomocného stolu (zadní)	665 mm x 753 mm x 483 mm
Čistá hmotnost		35,2 kg - 37,0 kg
Třída bezpečnosti		□/II

- Vzhledem k neustálému výzkumu a vývoji podléhají zde uvedené specifikace změnám bez upozornění.
- Specifikace se mohou pro různé země lišit.
- Hmotnost se může lišit v závislosti na příslušenství. Nejlehčí a nejtěžší kombinace, dle EPTA-Procedure 01/2014, jsou uvedeny v tabulce níže.

Symboly

Níže jsou uvedeny symboly, se kterými se můžete při použití nářadí setkat. Je důležité, abyste dříve, než s ním začnete pracovat, pochopili jejich význam.

	Přečtěte si návod k obsluze.
	DVOJITÁ IZOLACE
	Noste ochranné brýle.
	Nepřikládejte ruce ani prsty do blízkosti kotouče.
	Pouze pro země EU Elektrické nářadí nevyhazujte do komunálního odpadu! Podle evropské směrnice o odpadních elektrických a elektronických zařízeních včetně její implementace v souladu s národními zákony musí být elektrické zařízení po skončení životnosti shromážděno odděleně a předáno do ekologického recyklačního zařízení.

Účel použití

Nářadí slouží k řezání do dřeva. Umožňuje přímé řezy, úkosové řezy a pokosové řezy. Toto nářadí není konstruováno pro neprůchozí řez.

Napájení

Nářadí smí být připojeno pouze k napájení se stejným napětím, jaké je uvedeno na výrobním štítku, a může být provozováno pouze v jednofázovém napájecím okruhu se střídavým napětím. Nářadí je vybaveno dvojitou izolací a může být tedy připojeno i k zásuvkám bez zemního vodiče.

Hlučnost

Typická vážená hladina hluku (A) určená podle normy EN62841:
Hladina akustického tlaku (L_{PA}): 94 dB(A)
Hladina akustického výkonu (L_{WA}): 107 dB (A)
Nejistota (K): 3 dB(A)

⚠VAROVÁNÍ: Používejte ochranu sluchu.

Prohlášení ES o shodě

Pouze pro evropské země

Prohlášení ES o shodě je obsaženo v Příloze A tohoto návodu k obsluze.

BEZPEČNOSTNÍ VÝSTRAHY

Obecná bezpečnostní upozornění k elektrickému nářadí

VAROVÁNÍ: Přečtete si všechny bezpečnostní výstrahy i pokyny a prohlédněte si ilustrace a specifikace dodané k tomuto elektrickému nářadí. Nedodržení všech níže uvedených pokynů může vést k úrazu elektrickým proudem, požáru či vážnému zranění.

Všechna upozornění a pokyny si uschovejte pro budoucí potřebu.

Pojem „elektrické nářadí“ v upozorněních označuje elektrické nářadí, které se zapojuje do elektrické sítě, nebo elektrické nářadí využívající akumulátory.

Bezpečnostní pokyny pro stolní okružní pilu

Varování ohledně krytů

1. **Udržujte kryty na jejich místě. Kryty musí být ve funkčním stavu a správně uchycené.** Kryt, který je uvolněný, poškozený nebo nefunguje správně, musí být opraven nebo vyměněn.
2. **Před zapnutím spínače se ujistěte, zda pilový kotouč není v kontaktu s krytem, rozevíracím klínem nebo obrobkem.** Náhodný kontakt pilového kotouče s těmito částmi může způsobit nebezpečnou situaci.
3. **Nastavte rozevírací klín podle popisu v tomto návodu.** Nesprávně nastavená rozteč, poloha a vyrovnání mohou způsobit, že rozevírací klín nebude schopen efektivně snižovat riziko zpětného rázu.
4. **Mají-li rozevírací klín a protizpětné záchytky pracovat, musí se dotýkat obrobku.** Rozevírací klín a protizpětné záchytky nejsou účinné, když se provádí řezání obrobků, které jsou příliš krátké, aby se jich mohly rozevírací klín a protizpětné záchytky dotýkat. Za takové situace není možné zabránit zpětnému rázu pomocí rozevíracího klínu či protizpětných záchytek.
5. **Použijte vhodný pilový kotouč pro rozevírací klín.** Má-li rozevírací klín fungovat správně, musí průměr pilového kotouče odpovídat příslušnému rozevíracímu klínu a tělo pilového kotouče musí být tenčí, než je tloušťka rozevíracího klínu; a šířka řezu pilového kotouče musí být širší než tloušťka rozevíracího klínu.

Varování ohledně postupů řezání

1. **NEBEZPEČÍ:** Nikdy neumísťujte prsty nebo ruce do blízkosti nebo do dráhy pilového kotouče. Chvilka nepozornosti nebo uklouznutí může nasměřovat vaši ruku do pilového kotouče a způsobit velmi vážné zranění.
2. **Podávejte obrobek k pilovému kotouči pouze proti směru rotace.** Budete-li podávat obrobek ve stejném směru, jakým se otáčí pilový kotouč nad stolem, může to způsobit, že obrobek a vaše ruka budou zataženy do pilového kotouče.

3. **Při podélném řezání nikdy nepoužívejte pokosník k podávání obrobku a nepoužívejte podélné pravítko jako délkový doraz při příčném řezání za pomoci pokosníku.** Vedení obrobku za pomoci podélného pravítka a pokosníku zároveň zvyšuje pravděpodobnost zachycení pilového kotouče a zpětného rázu.
4. **Při podélném řezání vždy tlačte obrobek mezi pravítko a pilový kotouč. Když je vzdálenost mezi pravítkem a pilovým kotoučem menší než 150 mm, použijte tlačnou tyčku. Je-li vzdálenost menší než 50 mm, použijte tlačný blok.** Tato „pomocná“ zařízení udrží vaši ruku v bezpečné vzdálenosti od pilového kotouče.
5. **Používejte pouze tlačnou tyčku dodanou výrobcem nebo vyrobenou v souladu s těmito pokyny.** Tato tlačná tyčka poskytuje dostatečnou vzdálenost ruky od pilového kotouče.
6. **Nikdy nepoužívejte poškozené nebo uříznuté tlačné tyčky.** Poškozená tlačná tyčka se může zlomit a způsobit, že vaše ruka sklouzne do pilového kotouče.
7. **Neprovádějte žádnou operaci ručním přidržováním. Vždy používejte podélné pravítko nebo pokosník, pomoci kterých udávejte pozici obrobku a ved'te jej.** Přidržování znamená používání rukou k podpoře nebo vedení obrobku, namísto použití podélného pravítka či pokosníku. Přidržování může vést ke špatnému polohování, zachycení kotouče a zpětnému rázu.
8. **Nikdy nesahejte do prostoru kolem pilového kotouče a nad ním.** Sáhání po obrobku může vést k náhodnému kontaktu s pohyblivým se pilovým kotoučem.
9. **U dlouhých a/nebo širokých obrobků je za účelem jejich vyrovnání nutné použít pomocnou podpěru vzadu a/nebo po stranách stolní okružní pily.** Dlouhý a/nebo široký obrobek má tendenci otáčet se kolem hrany stolu, čímž způsobuje ztrátu kontroly, zachycování pilového kotouče a zpětné rázy.
10. **Podávejte obrobek stejnoměrnou rychlostí. Obrobek neohýbejte ani nekruťte. Pokud se obrobek zasekne, vypněte ihned nářadí, odpojte jej z napájení a poté odstraňte příčinu zaseknutí.** Zaseknutí obrobku v pilovém kotouči může způsobit zpětný ráz nebo vyřadit motor.
11. **Nevyjímejte kusy odříznutého materiálu, pokud pila běží.** Materiál se může zachytit mezi pravítkem nebo vnitřkem krytu pilového kotouče a samotným pilovým kotoučem, a tím zatáhnout vaše prsty do kotouče. Vypněte pilu a počkejte, než se kotouč zastaví. Poté teprve odeberte materiál.
12. **Jestliže podélné řežete obrobky s tloušťkou menší než 2 mm, použijte pomocné pravítko v kontaktu s vrškem stolu.** Tenký obrobek se může zachytit pod podélné pravítko a vytvořit zpětný ráz.

Zpětný ráz a související výstrahy

Zpětný ráz je náhlá reakce obrobku způsobená zaseknutým pilovým kotoučem nebo nesrovnanou dráhou řezu v obrobku vůči pilovému kotouči, nebo když se část obrobku zachytí mezi pilový kotouč a podélné pravítko nebo jiný fixní předmět.

Nejčastěji je během zpětného rázu obrobek zvednut ze stolu zadní částí pilového kotouče a je vyhozen směrem k obsluze. Zpětný ráz je důsledkem špatného použití pily a/nebo nesprávných pracovních postupů či podmínek. Lze se mu vyhnout zavedením odpovídajících opatření, která jsou uvedena níže.

1. **Nikdy nestůjte přesně v dráze otáčení pilového kotouče. Vždy stůjte na stejné straně pilového kotouče, kde je pravítko.** Zpětný ráz může vyhodit obrobek vysokou rychlostí směrem ke komukoliv, kdo zrovna stojí před pilovým kotoučem nebo v jeho dráze.
2. **Nikdy nesahejte přes nebo za pilový kotouč, abyste zatáhli za obrobek nebo jej podepřeli.** Může dojít k náhodnému kontaktu s pilou nebo zpětný ráz může zatáhnout vaše prsty do pilového kotouče.
3. **Nikdy nedržte a netlačte obrobek, který je řezán, proti otáčejícímu se pilovému kotouči.** Tlačením na právě řezaný obrobek proti pilovému kotouči dojde k zachycení a vznikne zpětný ráz.
4. **Srovnajte pravítko tak, aby bylo rovnoběžné s pilovým kotoučem.** Nesprávně srovnané pravítko zachytí obrobek proti pilovému kotouči a vznikne zpětný ráz.
5. **Při řezání do slepých částí obrobku dávejte pozor.** Vyčnávající kotouč se může zařiznout do předmětu, jež mohou způsobit zpětný ráz.
6. **Velké desky podepřete, abyste minimalizovali riziko skřípnutí pilového kotouče a zpětného rázu.** Velké desky mají tendenci prověšovat se svojí vlastní vahou. Podpěry musí být umístěny pod všemi částmi panelu, který visí nad stolem.
7. **Při řezání obrobku, který je zkroucený nebo má suky či nerovný okraj pro vedení pomocí pokosníku nebo pravítka, dávejte zvláštní pozor.** Obrobek, který je zkroucený nebo má suky, je nestabilní a způsobuje vybočení spáry, zachycení a zpětný ráz.
8. **Nikdy neřežte více obrobků, ať již jsou naskládány na sebe, nebo vedle sebe.** Pilový kotouč by mohl nabrat jeden nebo více kusů a způsobit zpětný ráz.
9. **Spouštěte-li pilu opakovaně s pilovým kotoučem v obrobku, umístěte pilový kotouč do středu drážky tak, aby zuby kotouče nebyly zachyceny v materiálu.** Pokud pilový kotouč uvízne, může při opakovaném spuštění pily zvednout obrobek nebo způsobit zpětný ráz.
10. **Udržujte kotouče čisté, ostré a nabroušené. Nikdy nepoužívejte ohnuté pilové kotouče ani kotouče s nalomenými či vylomenými zuby.** Správně naostřené pilové kotouče minimalizují zachycení, výpadky a zpětné rázy.

Varování ohledně postupů při práci se stolní okružní pilou

1. **Odpojte stolní okružní pilu a vypojte napájecí kabel, kdykoliv vyndáváte vložku stolu, měníte pilový kotouč nebo provádíte seřízení rozevíracího klínu, protizpětných záchytek nebo krytu pilového kotouče, ale také kdykoliv je stroj ponechán bez dozoru.** Předběžná opatření pomohou vyhnout se nehodám.
2. **Nikdy nenechávejte stolní pilu běžet bez dozoru. Vypněte ji a neopouštějte ji, dokud se zcela nezastaví.** Nedozorovaná běžící pila je nekontrolovaným rizikem.

3. **Umístěte stolní okružní pilu do dobře osvětleného prostoru a na vodorovnou plochu, kde lze zajistit dobré usazení a stabilitu nářadí. Měla by být nainstalována do oblasti, která poskytuje dostatek prostoru ke snadné manipulaci s obrobkem.** Stísněné a tmavé oblasti s nerovnou a kluzkou podlahou jsou skoro zárukou nehody.
4. **Prostor pod pilou pravidelně čistěte a odstraňujte piliny jak pod nářadím, tak ze sběrného zařízení na piliny.** Nahromaděné piliny jsou hořlavé a mohou se samy vznítit.
5. **Stolní okružní pilu je nutné dobře zajistit.** Stolní okružní pila, která není správně zajištěna, se může posunout nebo převrátit.
6. **Před zapnutím stolní okružní pily odstraňte nástroje, odezky apod. z prostoru stolu.** Narušení pozornosti nebo potenciální zaseknutí mohou být nebezpečné.
7. **Vždy používejte okružní pily se správnou velikostí a tvarem upínacího otvoru (diamant versus kruh).** Pilové kotouče, které neodpovídají upínacímu ústrojí pily, pobeží nevycentrované a způsobí ztrátu kontroly.
8. **Nikdy nepoužívejte poškozené nebo nesprávné upínací prvky pro pilové kotouče, například příruby, podložky, šrouby nebo matky.** Tyto upínací prvky byly speciálně navrženy pro vaši pilu, její bezpečný provoz a optimální výkon.
9. **Nikdy nestůjte na stolní pile, ani ji nepoužívejte jako stupínek.** Při převržení nářadí nebo náhodném kontaktu s ním může dojít k vážnému zranění.
10. **Ujistěte se, že je pilový kotouč instalován tak, aby rotoval ve správném směru. Nepoužívejte na stolní okružní pilu brusné kotouče, drátěné kartáče apod.** Nesprávná montáž pilového kotouče nebo použití příslušenství, které není doporučeno, může způsobit vážné zranění.

Další pokyny

1. **Používejte pouze pilové kotouče označené hodnotou otáček, jejichž hodnota se rovná či přesahuje hodnotu otáček vyznačenou na nářadí.**
2. **Vyberte správný pilový kotouč dle materiálu určeného k řezání.**
3. **Při manipulaci s kotoučem vždy noste pracovní rukavice.**
4. **Před montáží kotouče očistěte vřeteno, příruby (zejména montážní povrch) a šestihrannou matku.** Špatná montáž může způsobit vibrace/vyklání nebo prokluzování kotouče.
5. **Neřežte kovové předměty jako například hřebíky a vruty.** Před uvedením do činnosti zkontrolujte obrobek a odstraňte z něj všechny případné hřebíky, vruty a jiné cizí předměty.
6. **NIKDY nedovolte ostatním, aby stáli v dráze otáčení pilového kotouče.**
7. **Před použitím nářadí na zpracovávaném obrobku jej nechejte na chvíli běžet. Sledujte, zda nevznikají vibrace nebo vyklání, které by mohly signalizovat špatně nainstalovaný nebo nedostatečně vyvážený kotouč.**
8. **Nástroj nesmí být používán k vyřezávání drážek nebo polodrážek.**
9. **Jakmile je vložka stolu opotřebovaná, vyměňte ji.**
10. **Tlačnou tyčku vždy uložte na místo uskladnění, kdykoliv není potřeba.**

11. Z obrobku vytyčte všechny suky PŘEDTÍM, než s ním začnete pracovat.
12. Některé piliny vznikající při provozu obsahují chemikálie, o kterých je známo, že způsobují rakovinu, vrozené vady nebo jiná ohrožení reprodukčního systému. Příklady takových chemikálií:
 - olovo z materiálu opatřeného nátěrem na bázi olova a
 - arsen a chrom z chemicky ošetřeného řeziva.

Riziko spojené s vystavením těmto materiálům se liší podle toho, jak často provádíte tento typ práce. Chcete-li omezit expozici těmto materiálům: pracujte na dobře větraném místě a používejte schválené bezpečnostní vybavení, jako jsou například protiprašné respirátory speciálně určené k odfiltrování mikroskopických částic.

13. Před zapnutím nářadí se vždy ujistěte, že se dílčí kryt nachází dole a v rovné poloze vůči pilovému kotouči.
14. Pravidelně kontrolujte prodlužovací kabely a jsou-li poškozené, vyměňte je.
15. (Pouze pro země EU) Používejte pouze pilové kotouče, které jsou doporučeny výrobcem a splňují normu EN847-1.

INSTALACE

Nastavení polohy stolní okružní pily

- **Obr.1:** 1. Průměr otvoru 8 mm
- **Obr.2:** 1. 6mm stand. podložka 2. Vrut do dřeva č. 10, min. délka 40 mm
- **Obr.3:** 1. 6mm stand. podložka 2. 6mm montážní šroub a matka, pevně utáhnout

Umístěte stolní okružní pilu do dobře osvětleného prostoru a na vodorovný povrch, kde lze zajistit dobré usazení a stabilitu nářadí. Měla by být nainstalována do oblasti, která ponechává dostatek prostoru ke snadné manipulaci s obrobky. Stolní okružní pila musí být připevněna k pracovnímu stolu nebo stojanu pro stolní okružní pilu v otvorech na spodní části pily pomocí čtyř šroubů nebo vrutů. Když upevňujete stolní okružní pilu na pracovní stůl, ujistěte se, že je v horní části pracovního stolu otvor stejné velikosti jako otvor ve spodní části stolní okružní pily tak, aby mohly piliny propadat dolů.

Pokud má během provozu pila tendenci překlápět se, pohybovat nebo posouvat se, je třeba pracovní stůl nebo stojan upevnit k podlaze.

Skladování příslušenství

- **Obr.4:** 1. Pokosník
- **Obr.5:** 1. Podélné pravítko 2. Tlačná tyčka 3. Protizpětné záchytky

Pokosník, pilový kotouč a klíče lze uložit na levé straně základny. Rovněž podélné pravítko, tlačnou tyčku a protizpětné záchytky lze uložit na pravé straně základny.

POPIS FUNKCÍ

⚠️ UPOZORNĚNÍ: Před nastavováním nářadí nebo kontrolou jeho funkce se vždy přesvědčte, že je vypnuté a vytažené ze zásuvky.

Chránič nožů

⚠️ VAROVÁNÍ: Nikdy nerušte ani neodstraňujte kryt kotouče. Nechráněný kotouč může při potlačení funkce krytu během provozu způsobit vážné zranění.

⚠️ VAROVÁNÍ: Nářadí nikdy nepoužívejte, je-li kryt kotouče poškozený, vadný či sejmutý. Práce s nářadím s poškozeným, vadným či sejmutým krytem může způsobit vážné zranění.

► **Obr.6:** 1. Chránič nožů 2. Dílčí kryt

Při řezání tlačte obrobek směrem ke kotouči se spodním okrajem dílčího krytu dotýkajícím se hlavního stolu. Jak je obrobek podáván, kryt kotouče a dílčí kryt jdou přes hranu obrobku.

V zájmu své vlastní bezpečnosti udržujte kryt kotouče a dílčí kryt vždy v dobrém stavu. Případnou nesprávnou funkci krytu kotouče a dílčího krytu je nutné okamžitě napravit. Když není podáván obrobek, zkontrolujte, zda jsou kryt kotouče a dílčí kryt dole a zda je spodní okraj dílčího krytu v kontaktu s hlavním stolem.

Dojde-li ke znečištění průhledných částí, nebo jestliže k nim přilnou piliny tak, že již není vidět kotouč či obrobek, odpojte nářadí ze zásuvky a průhledné části důkladně vyčistěte navlhčenou tkaninou. Neaplikujte žádná rozpuštědla ani čističe na bázi neoprávněných produktů, neboť by mohly poškodit součásti. Dojde-li ke ztrátě barvy průhledných částí stárnutím nebo působením ultrafialového záření, objednejte si nové části v servisním středisku Makita. **NERUŠTE ANI NEODSTRAŇUJTE KRYT KOTOUČE A DÍLČÍ KRYT.**

Nastavení hloubky řezu

► **Obr.7:** 1. Rukojeť

Hloubku řezu lze upravit otočením rukojeti. Otočením rukojeti po směru hodinových ručiček se pilový kotouč zvedne, a naopak.

POZNÁMKA: Použijte nízkou hloubku pro řezání tenkých materiálů, abyste získali čistší řez.

Nastavení úhlu úkosu

► **Obr.8:** 1. Zajišťovací páčka 2. Šipkový ukazatel 3. Ruční kolo

Uvolněte zajišťovací páčku proti směru hodinových ručiček a otočte ručním kolem, dokud není dosaženo správného úhlu (0°–45°). Úhel úkosu je označen šipkovým ukazatelem.

Po dosažení požadovaného úhlu utáhněte zajišťovací páčku po směru hodinových ručiček a zajistíte tak nastavení.

⚠️ UPOZORNĚNÍ: Po nastavení úhlu úkosu vždy pevně utáhněte zajišťovací páčku.

Nastavení pozitivních zarážek

► **Obr.9:** 1. 90° seřizovací šroub 2. 45° seřizovací šroub

► **Obr.10**

Zařízení je vybaveno pozitivními zarážkami při 90° a 45° úhlech k povrchu stolu. Chcete-li zkontrolovat a upravit pozitivní zarážky, postupujte následovně: Posuňte otáčecím ručním kolo tak daleko, jak je to možné. Dejte trojúhelníkové pravítko na stůl a zkontrolujte, zda je pilový kotouč v úhlech 90° nebo 45° k povrchu stolu. Je-li pilový kotouč v úhlu zobrazeném na obr. A, otočte seřizovacími šrouby po směru ručiček; je-li v úhlu znázorněném na obr. B, otočte seřizovacími šrouby proti směru ručiček a upravte pozitivní zarážky. Po seřízení pozitivních zarážek nastavte pilový kotouč na úhel 90° k povrchu stolu. Poté nastavte šipkový ukazatel tak, aby byl jeho pravý okraj srovnán na 0° pozici.

► **Obr.11:** 1. Šipkový ukazatel

Používání spínače

► **Obr.12:** 1. Spínač

⚠ UPOZORNĚNÍ: Před provozem se ujistěte, že lze nářadí zapnout a vypnout.

Nářadí spustíte stisknutím tlačítka ON (I).
Nářadí vypnete stisknutím tlačítka OFF (O).

Pomocné vodítko (podélné pravítko)

► **Obr.13:** 1. Upínací šroub 2. Podélné pravítko 3. Pomocné vodítko 4. Kolečnička

Jestliže podélné pravítko přijde do těsné blízkosti pilového kotouče, použijte pomocné vodítko k podpoře obrobku. Uvolněte upínací šroub a posuňte pomocné vodítko mimo vodítka. Připojte pomocné vodítko dle obrázku a utáhněte upínací šrouby.

Když je k levé straně pilového kotouče připojeno podélné pravítko, změňte pozici pomocného vodítka. Odstraňte upínací šrouby, pomocné vodítko a kolejničku z podélného pravítka. Volně připojte kolejničku na pravou stranu podélného vodítka pomocí odebraných upínacích šroubů. Poté připojte pomocné vodítko a utáhněte pomocí upínacích šroubů.

► **Obr.14:** 1. Podélné pravítko 2. Pomocné vodítko 3. Upínací šroub 4. Kolečnička

Pomocný stůl (P)

► **Obr.15:** 1. Páčka

► **Obr.16:** 1. Pomocný stůl (P)

Toto nářadí je dodáváno s pomocným stolem (P) na pravé straně hlavního stolu. Chcete-li použít pomocný stůl (P), zdvihněte obě páčky na přední pravé straně, vytáhněte zcela pomocný stůl (P) a poté tyto páčky zase spustíte a tím stůl zajistíte.

Když používáte pomocný stůl (P), najděte stupnici úkosu na pomocném stole a poté na ní uvolněte upínací šroub šroubovákem tak, aby navazovala na stupnici úkosu na hlavním stole.

► **Obr.17:** 1. Stupnice úkosu 2. Šroub

Pomocný stůl (zadní)

Volitelné příslušenství

► **Obr.18:** 1. Pomocný stůl (zadní) 2. Šroub

Chcete-li použít pomocný stůl (zadní), povolte šrouby na levé a pravé straně pod stolem a vytáhněte jej dozadu na požadovanou délku. Po dosažení požadované délky utáhněte pevně šrouby.

POZNÁMKA: Když používáte pomocný stůl (zadní) během současného užití podélného pravítka, vytáhněte pomocný stůl (zadní) o více než 50 mm tak, aby se nedotýkal horního konce podélného pravítka.

Pomocný stůl (L)

Volitelné příslušenství

► **Obr.19:** 1. Šroub 2. Pomocný stůl (L)

Pomocný stůl (L) (volitelné příslušenství) lze namontovat na levou stranu stolu a tím získat širší prostor.

Protizpětné záchytky

⚠ VAROVÁNÍ: Kdykoliv je to během řezání možné, používejte protizpětné záchytky. Pomůže to zabránit tomu, aby byl materiál natlačen dopředu do osoby operátora během nastalého zpětného rázu, což může způsobit vážné zranění.

► **Obr.20:** 1. Protizpětná záchytka 2. Svorka

Chcete-li odstranit protizpětné záchytky z nářadí, povolte svorku u základny protizpětných záchytek a poté je vytáhněte. Při opětovné montáži proveďte postup obráceně.

SESTAVENÍ

⚠ UPOZORNĚNÍ: Než začnete na nářadí provádět jakékoli práce, vždy se předtím přesvědčte, že je vypnuté a vytažené ze zásuvky.

Montáž a demontáž pilového kotouče

⚠ UPOZORNĚNÍ: Před montáží nebo demontáží pilového kotouče se vždy nejprve ujistěte, že je nářadí vypnuté a odpojené od zdroje elektřiny.

⚠ UPOZORNĚNÍ: K montáži nebo demontáží pilového kotouče používejte pouze dodávaný klíč Makita. V opačném případě může dojít k přetažení nebo nedostatečnému dotažení šroubu se šestihranovou hlavou. Mohlo by tak dojít ke vzniku úrazu.

⚠ UPOZORNĚNÍ: Použijte následující pilový kotouč. Nepoužívejte pilové kotouče nesplňující technické parametry uvedené v této příručce.

Průměr	Tloušťka kotouče	Spára
260 mm	Méně než 1,9 mm	Více než 2,1 mm

1. Povolte šroub na stolní vložce a vyjměte ji.
2. Vyhnutým klíčem přidrže vnější přírubu a imbusovým klíčem povolte šestihřannou matku otočením proti směru ručiček. Poté sejměte vnější přírubu.
► **Obr.21:** 1. Vyhnutý klíč 2. Šestihřanná matka 3. Klíč
3. Sestavte vnitřní přírubu, kroužek, pilový kotouč, vnější přírubu a šestihřannou matku na vřetenu a ujistěte se, že zuby pilového kotouče směřují dolů na přední část stolu. Vždy namontujte šestihřannou matku s prohloubenou stranou směrem k vnější přírubě.
► **Obr.22:** 1. Vnitřní příruba 2. Prsteneček 3. Pilový kotouč 4. Vnější příruba 5. Šestihřanná matka

▲ UPOZORNĚNÍ: Ujistěte se, aby byl pilový kotouč namontován tak, aby zuby byly srovnány do směru řezání (otáčení).

▲ UPOZORNĚNÍ: Před instalací pilového kotouče zkontrolujte průměr upínacího otvoru pilového kotouče. Vždy použijte správný kroužek pro upínací otvor pilového kotouče, který chcete použít. Velikost dodávaných kroužků závisí na zemi použití.

- Pro nářadí s 30mm upínacím otvorem pro pilový kotouč je dodáván kroužek s vnějším průměrem 30 mm.
- Pro nářadí s upínacími otvory s průměrem 25,4 mm a 25 mm jsou dodávány stříbrný a černý kroužek. Stříbrný kroužek použijte pro pilový kotouč s upínacím otvorem o průměru 25,4 mm, zatímco černý kroužek pro pilový kotouč s upínacím otvorem o průměru 25 mm.

4. Chcete-li zajistit pilový kotouč na místě, podržte vnější přírubu s vyhnutým klíčem, poté utáhněte šestihřannou matku po směru ručiček.
ŠESTIHRANNOU MATEKU PEVNĚ DOTÁHNĚTE.
► **Obr.23:** 1. Vyhnutý klíč 2. Klíč

▲ UPOZORNĚNÍ: Udržujte povrch příruby čistý, bez špíny a jiných lepiých nečistot; jinak by mohlo dojít k prokluzu kotouče.

▲ UPOZORNĚNÍ: Šestihřannou matku držte pomocí klíče velmi opatrně. Pokud vám proklouzne uchopení, může se klíč vyvléknout z šestihřanné matky a vaše ruka narazit na ostré hrany kotouče.

5. Přimontujte vložku stolu na její místo pomocí šroubu.

Seřízení rozevíracího klínu

▲ UPOZORNĚNÍ: Nejsou-li pilový kotouč a rozevírací klín správně srovnány, může během provozu dojít k nebezpečné situaci zachycení. Ujistěte se, že jsou správně srovnány. Nebude-li rozevírací klín správně srovnán, mohlo by se vám během užívání nářadí přihodit vážné zranění.

▲ UPOZORNĚNÍ: NIKDY neprovádějte seřízení, když nářadí běží. Před jakýmkoliv nastavením či seřízením vypojte nářadí z elektrické zásuvky.

▲ UPOZORNĚNÍ: Nedemontujte rozevírací klín.

- **Obr.24:** 1. Chránič nožů 2. Rozevírací klín 3. Šroub

Police rozevíracího klínu je seřizena z továrny tak, aby pilový kotouč a klín byly v přímé lince. Nejsou-li však pilový kotouč a rozevírací klín ve stejné lince, je nutné je seřídít.

Povolte šroub na stolní vložce a odeberte ji z hlavního stolu. Povolte šestihřanné šrouby (B) a upravte část uchycení krytu kotouče (opěra) tak, aby byl rozevírací klín srovnán přímo s pilovým kotoučem. Poté utáhněte šestihřanné šrouby (B) tak, aby se zajistila opěra, a vložku vraťte zpět.

- **Obr.25:** 1. Čepel 2. Tyto dvě vzdálenosti musí být stejné. 3. Rozevírací klín 4. Šestihřanné šrouby (B) 5. Šestihřanné šrouby (A)

Mezi rozevíracím klínem a zuby kotouče musí být volný prostor asi 4 až 5 mm. Povolte šestihřanné šrouby (A), upravte odpovídajícím způsobem rozevírací klín a poté šestihřanné šrouby (A) pevně utáhněte. Připojte vložku stolu ke stolu pomocí šroubu, poté zkontrolujte, zda kryt kotouče funguje naprosto hladce.

- **Obr.26:** 1. Rozvírací klín 2. Kryt kotouče 3. Volný prostor 4 až 5 mm

Montáž a seřízení podélného pravítka

- **Obr.27:** 1. Háček 2. Knoflík 3. Vodicí kolejnice

1. Upevněte háček na špičce podélného pravítka do vodicí kolejnice na stole nebo pomocným stole (P) a namontujte a zatlačte podélné pravítko dopředu tak, aby se držák pravítka dotýkal nejbližší vodicí kolejnice.
2. Chcete-li posunout podélné pravítko na vodicí kolejnici do strany, vraťte knoflík na držáku pravítka zcela zpět, aniž byste zatáhli za páčku na knoflíku.

Chcete-li podélné pravítko zajistit, otočte zcela knoflíkem na držáku pravítka.

3. Chcete-li podélné pravítko odebrat, zatáhněte za páčku na knoflíku a otočte knoflíkem zcela směrem dopředu a přitom táhněte za páčku.

Chcete-li zkontrolovat, zda je podélné pravítko rovnoběžné s pilovým kotoučem, zajistěte jej 2 až 3 mm od kotouče. Zdvihněte kotouč na maximum. Označte jeden ze zubů kotouče tužkou. Změřte vzdálenost (A) a (B) mezi podélným pravítkem a pilovým kotoučem. Změřte obě vzdálenosti pomocí tužkou označeného zubu. Tyto dvě měření vzdáleností musí být stejné. Není-li podélné pravítko rovnoběžné s pilovým kotoučem, postupujte takto:

- **Obr.28:** 1. Stupnice

1. Dejte podélné pravítko do posuvné police.
2. Uvolněte dva šestihřanné šrouby na podélném pravítku pomocí dodaného šestihřanného klíče.
► **Obr.29:** 1. Šestihřanné šrouby
3. Upravte podélné pravítko, dokud není rovnoběžné s pilovým kotoučem.
4. Otočte dolů knoflíkem na podélném pravítku směrem k obsluze.
5. Utáhněte dva šestihřanné klíče na podélném pravítku.
► **Obr.30**

▲ UPOZORNĚNÍ: Zajistěte, aby bylo podélné pravítko seřízeno tak, aby bylo rovnoběžné s pilovým kotoučem, jinak může dojít k nebezpečnému zpětnému rázu.

Jestliže nelze pevně zabezpečit podélné pravítko, upravte jej dle následujícího postupu.

1. Nastavte podélné pravítko na stole a poté otočte knoflíkem do poloviny (poloze pro pohyb). Utáhněte šroub (A), dokud není podélné pravítko zastaveno. Poté povolte 1/4 až 1/2 otáčky.
► **Obr.31:** 1. Podélné pravítko 2. Uvolněná poloha 3. Pozice pro pohyb 4. Zajištěná pozice
- **Obr.32:** 1. Podélné pravítko 2. Pozice pro pohyb 3. Šroub (B) 4. Šroub (A)
2. Utáhněte zcela šroub (B) a poté jej povolte asi o 2 plné otáčky.
3. Chcete-li podélné pravítko zajistit, otočte zcela knoflíkem na držáku pravítka (zajištěná pozice).
4. Ujistěte se, že je možné podélné pravítko namontovat a demontovat v původní pozici (uvolněná pozice).
5. Ujistěte se, že je možné podélné pravítko lehce posunout, aniž by se viklalo, když je knoflík otočen z poloviny.

POZOR: Neutahujte šrouby více než uvedeným utahovacím momentem, viz pokyny. V opačném případě může dojít k poškození součástí.

Umístěte podélné pravítko do roviny s bokem pilového kotouče. Ujistěte se, že vodítko na držáku pravítka ukazuje na 0. Jestliže vodítko neukazuje na 0, povolte šroub na stupnici úkosu a seřďte ji.
► **Obr.33:** 1. Vodítko 2. Šrouby

Připojení vysavače

Je možné zajistit čistší provoz, jestliže k nářadí připojíte sběrač prachu/pilin nebo vysavač Makita.
► **Obr.34**

PRÁCE S NÁŘADÍM

▲UPOZORNĚNÍ: Kdykoliv je zde riziko, že se vaše ruce nebo prsty mohou dotknout nebo přijít do blízkosti pilového kotouče, používejte pracovní pomůcky jako tlačnou tyčku nebo tlačný blok.

▲UPOZORNĚNÍ: Obrobek držte pevně na stole nebo u podélného pravítka či pokosníku. Obrobek během podávání neohýbejte ani nekrutěte. Je-li obrobek ohnutý či zkroucený, může dojít k nebezpečnému zpětnému rázu.

▲UPOZORNĚNÍ: NIKDY nevytahujte obrobek, když pilový kotouč běží. Musíte-li vytáhnout obrobek předtím, než je řez dokončen, nejprve vypněte nářadí, zatímco obrobek pevně držíte. Počkejte, než se pilový kotouč zcela zastaví, poté teprve odeberte obrobek. V opačném případě může dojít k nebezpečnému zpětnému rázu.

▲UPOZORNĚNÍ: NIKDY neodbírejte odřiznutý materiál, když pilový kotouč běží.

▲UPOZORNĚNÍ: NIKDY nedávejte ruce nebo prsty do dráhy pilového kotouče. Zejména si dávejte pozor při úkosovém řezání.

▲UPOZORNĚNÍ: Vždy držte pevně podélné pravítko, jinak může dojít k nebezpečnému zpětnému rázu.

▲UPOZORNĚNÍ: Vždy používejte pracovní pomůcky jako tlačnou tyčku nebo tlačný blok, kdykoliv řežete malé nebo úzké obrobky.

Pracovní pomůcky

Tlačná tyčka, tlačné bloky nebo pomocná pravítka jsou tzv. pracovními pomůckami. Používejte je k zajištění bezpečného a přesného řezání bez nutnosti toho, aby se musela obsluha jakkoliv dotýkat pilového kotouče.

Tlačný blok

- **Obr.35:** 1. Čelo/hrana rovnoběžně 2. Rukojeť 3. Vrut do dřeva 4. Slepno

Použijte 19mm překlíčku.

Rukojeť musí být ve středu překlíčky. Upevněte pomocí šroubku a vrutů, dle obrázku. Malý kousek dřeva s rozměry 9,5 mm x 8 mm x 50 mm musí být vždy přilepen k překlíčce, aby pilový kotouč nezatáhl, když obsluha omylem řízne do tlačného bloku. (Nikdy nepoužívejte tlačný blok s hřebíky.)

Pomocné pravítko

- **Obr.36:** 1. Čelo/hrana rovnoběžně

Vyrobte pomocné pravítko z překlíčky 9,5 mm a 19 mm.

Podélné řezání

▲UPOZORNĚNÍ: Během podélného řezání odstraňte ze stolu pokosník.

▲UPOZORNĚNÍ: Během řezání dlouhých nebo velkých obrobků vždy poskytněte adekvátní podpěru vzadu za stolem. ZABRÁNĚTE tomu, aby se dlouhé prkno pohybovalo nebo posouvalo po stole. To způsobí, že se pilový kotouč zachytí a zvýší se tím pravděpodobnost zpětného rázu a zranění. Podpěra musí být stejné výšky jako stůl.

▲UPOZORNĚNÍ: Neprovádějte úkosové podélné řezání na úkosové straně pilového kotouče.

1. Upravte hloubku řezu o něco výš, než je tloušťka obrobku.
► **Obr.37**

2. Dejte podélné pravítko do polohy s požadovanou šířkou a zajištěte jej pomocí knoflíku. Před podélným řezáním se ujistěte, že je konec podélného pravítka pevně zajištěn. Nebude-li dostatečně zajištěn, postupujte podle postupů uvedených v sekci nazvané „Montáž a seřízení podélného pravítka“.

3. Zapněte nářadí a jemně podávejte obrobek do pilového kotouče podél pravítka.

Když je šířka podélného řezu 150 mm a více, k podávání obrobku použijte opatrně pravou ruku. Levou rukou držte obrobek na místě naproti podélnému pravítku.

- **Obr.38**

Když je šířka podélného řezu 65 až 150 mm, použijte k podávání obrobku tlačnou tyčku.

- **Obr.39:** 1. Tlačná tyčka

Když je šířka podélného řezu menší než 65 mm, nelze tlačnou tyčku použít, protože by se dotkla krytu kotouče. Použijte pomocné pravítko a tlačný blok. Připojte pomocné pravítko k podélnému pravítku pomocí svorek typu C. Podávejte obrobek ručně, dokud není konec asi 25 mm od přední hrany stolu.

- **Obr.40**

Poté pokračujte s podáváním pomocí tlačného bloku na horní části pomocného pravítka, dokud není řez kompletní.

- **Obr.41:** 1. Tlačný blok 2. Pomocné pravítko

Příčné řezání

▲ UPOZORNĚNÍ: Během příčného řezání odstraňte ze stolu podélné pravítko.

▲ UPOZORNĚNÍ: Během řezání dlouhých nebo velkých obrobků vždy poskytněte adekvátní podporu po stranách stolu. Podpěra musí být stejné výšky jako stůl.

▲ UPOZORNĚNÍ: Vždy udržujte ruce mimo dráhu kotouče.

Pokosník

► Obr.42: 1. Příčné řezání 2. Pokosování 3. Úkosové řezání 4. Složkové pokosování (úhly)

Použijte pokosník pro 4 typy řezu, viz obrázek.

▲ UPOZORNĚNÍ: Zajistěte knoflík na pokosníku.

▲ UPOZORNĚNÍ: Vyhnete se prohýbání obrobku a pokosníku tím, že je budete pevně držet, zejména při řezání pod úhlem.

▲ UPOZORNĚNÍ: NIKDY nedržte nebo nechtejte za část obrobku, kterou chcete odříznout.

▲ UPOZORNĚNÍ: Vždy upravte vzdálenost mezi koncem pokosníku a pilovým kotoučem tak, aby nepřesahovala 15 mm.

Positivní zarážka pokosníku

► Obr.43: 1. Šroub pozitivní zarážky 2. Malá deska 3. Knoflík

Pokosník je vybaven pozitivními zarážkami v úhlech 90°, 45° vpravo a vlevo, a to pro rychlé nastavení.

Chcete-li nastavit úhel pokosníku, povolte knoflík na něm.

Zdvihněte malou desku na pokosníku a můžete jej volně nastavit. Otočte pokosník do požadovaného úhlu pokosu. Vraťte desku zpět na pokosník do původní police a utáhněte knoflík po směru ručiček.

Použití pokosníku

► Obr.44: 1. Drážka 2. Pokosník 3. Knoflík

Vsuňte pokosník do hlubokých drážek na stole. Povolte knoflík na pokosníku a seříďte požadovaný úhel (0° až 60°). Podávejte materiál rovně proti pravítku a posouvejte jej opatrně do pilového kotouče.

Pomocné měřítko (pokosník)

► Obr.45: 1. Pomocné měřítko

Pomocné měřítko na pokosníku zabraňuje obrobku ve viklání. Povolte šroub na pokosníku a upravte pozici pomocného měřítka.

Přenášení nářadí

► Obr.46

Ujistěte se, že je nářadí vytažené z přívodu elektřiny. Nářadí přenášejte tak, že jej budete držet za část známou na obrázku.

▲ UPOZORNĚNÍ: Před přenášením nářadí vždy zajistěte všechny pohyblivé díly.

▲ UPOZORNĚNÍ: Před přenášením zkontrolujte, zda jsou kryt kotouče a dílčí kryt dole a zda je spodní okraj dílčího krytu v kontaktu s hlavním stolem.

ÚDRŽBA

▲ UPOZORNĚNÍ: Než začnete provádět kontrolu nebo údržbu nářadí, vždy se přesvědčte, že je vypnuté a vytažené ze zásuvky.

POZOR: Nikdy nepoužívejte benzín, benzen, ředidlo, alkohol či podobné prostředky. Mohlo by tak dojít ke změnám barvy, deformacím či vzniku prasklin.

Čištění

Čas od času očistěte nářadí od pilin a odřezků. Opatrně očistěte kryt kotouče a pohyblivé části uvnitř stolní okružní pily.

Při odebírání pilin nahromaděných pod pilovým kotoučem nejprve vyjměte vložku stolu a použijte vzduchový profukovač k vyfouknutí pilin z konektoru pro vysavač.

Mazání

Chcete-li uchovat stolní okružní pilu v dokonalém stavu, a zajistit tak maximální životnost, pravidelně olejujte nebo mažte tukem pohyblivé a rotující části.

Místa určená k mazání:

- Závitová hřídel ke zvedání pilového kotouče
- Pant k otáčení rámu
- Zdvihací vodicí hřídele na motoru
- Převod ke zvedání pilového kotouče
- Vodicí kolejnice pro podélné pravítko
- Hřídel zajišťovacích páček pomocného stolu (P)
- Posuvná část pomocného stolu (P)

Výměna uhlíků

Pravidelně kontrolujte uhlíky.

Jsou-li opotřebené až po mezní značku, vyměňte je. Udržujte uhlíky čisté a zajistěte, aby se mohly v držácích volně pohybovat. Oba uhlíky je třeba vyměňovat najednou. Používejte výhradně stejné uhlíky.

► Obr.47: 1. Mezní značka

1. Uložte pomocný stůl (P). Odstraňte podélné pravítko, je-li uloženo.
2. Povolte zajišťovací páčku a otočte ručním kolem, dokud není hlava pily nakloněna do úhlu 45°. Poté utáhněte zajišťovací páčku.

► Obr.48: 1. Podélné pravítko 2. Zajišťovací páčka 3. Ruční kolo

3. Postavte nářadí na pravou stranu.

► Obr.49

4. Povolte šrouby na spodní desce a odeberte ji.
5. Povolte víčka držáků uhlíků pomocí šroubováku a odstraňte opotřebené uhlíky.
► **Obr.50:** 1. Spodní deska 2. Víčko držáku uhlíku
3. Šroubovák
6. Vložte nové uhlíky a zajistěte víčka.
7. Připojte spodní desku pomocí šroubů a opatrně položte nářadí na jeho spodek. Je-li podélné pravítko odebráno, uložte jej.

K zachování BEZPEČNOSTI a SPOLEHLIVOSTI výrobku musí být opravy a veškerá další údržba či seřizování prováděny autorizovanými nebo továrními servisními středisky společnosti Makita s využitím náhradních dílů Makita.

VOLITELNÉ PŘÍSLUŠENSTVÍ

⚠ UPOZORNĚNÍ: Pro nářadí Makita popsané v tomto návodu doporučujeme používat následující příslušenství a nástavce. Při použití jiného příslušenství či nástavců může hrozit nebezpečí zranění osob. Příslušenství lze používat pouze pro stanovené účely.

Potřebujete-li bližší informace ohledně tohoto příslušenství, obraťte se na místní servisní středisko společnosti Makita.

- Pilové kotouče s ocelovým a karbidovým ostřím
- Pomocný stůl (L)
- Pomocný stůl (zadní)
- Podélné pravítko
- Pokosník
- Vyhnutý klíč 13-22
- Klíč 19
- Imbusový klíč 5
- Spoj (pro připojení sběrače prachu/pilin)
- Sada stojan pro stůl

Viz návod na stojan pro stolní okružní pilu, který je dodáván společně se stojanem jako volitelným příslušenstvím.

POZNÁMKA: Některé položky seznamu mohou být k nářadí přibaleny jako standardní příslušenství. Přibalené příslušenství se může v různých zemích lišit.

ТЕХНІЧНІ ХАРАКТЕРИСТИКИ

Модель:		2704N
Отвір шпінделя (залежно від країни)		30 мм / 25,4 мм
Діаметр диска		260 мм
Макс. глибина різання	Нахил 0°	93 мм
	Нахил 45°	64 мм
Частота обертання в режимі холостого ходу		5 200 хв ⁻¹
Розмір стола (Д × Ш)	З додатковими столами справа й позаду	1 045 мм × 1 066 мм (столи розсунуті) 665 мм × 753 мм (столи зібрані)
	З додатковим столом справа без додаткового стола позаду	567 мм × 1 066 мм (стіл розсунутий) 567 мм × 753 мм (стіл зібраний)
Розміри (Д × Ш × В) з нерозсунутими столами	З додатковими столами справа й позаду	715 мм × 753 мм × 483 мм
	З додатковим столом справа без додаткового стола позаду	665 мм × 753 мм × 483 мм
Маса нетто		35,2 кг – 37,0 кг
Клас безпеки		⊠/II

- Оскільки наша програма наукових досліджень і розробок триває безперервно, наведені тут технічні характеристики можуть бути змінені без попередження.
- У різних країнах технічні характеристики можуть бути різними.
- Вага може відрізнитися залежно від допоміжного обладнання. Найлегші та найважчі комплекти, відповідно до стандарту ЕРТА (Європейська асоціація виробників електрострументу) від січня 2014 року, представлено в таблиці.

Символи

Далі наведено символи, які застосовуються для позначення обладнання. Перед користуванням переконайтеся, що ви розумієте їхнє значення.



Читайте інструкцію з експлуатації.



ПОДВІЙНА ІЗОЛЯЦІЯ



Вдягайте захисні окуляри.



Тримайте руки й пальці на відстані від диска.



Тільки для країн ЄС
Не утилізуйте електричне обладнання разом із побутовими відходами! Згідно з Європейською директивою про утилізацію електричного та електронного обладнання і з її використанням із дотриманням національних законів, електричне обладнання, термін служби якого закінчився, слід збирати в окремо відведених місцях і повертати на відповідні підприємства з його переробки.

Призначення

Інструмент призначений для різання деревини. Цим інструментом можна виконувати пряме різання, різання під косим кутом і різання з кутом нахилу. Цей верстат не призначений для ненаскрізного різання.

Джерело живлення

Інструмент можна підключати лише до джерела живлення, що має напругу, зазначену в таблиці із заводськими характеристиками, і він може працювати лише від однофазного джерела змінного струму. Він має подвійну ізоляцію, а отже може також підключатися до розеток без лінії заземлення.

Шум

Рівень шуму за шкалою А в типовому виконанні, визначений відповідно до стандарту EN62841:
Рівень звукового тиску (L_{PA}): 94 дБ (А)
Рівень звукової потужності (L_{WA}): 107 дБ (А)
Похибка (К): 3 дБ (А)

▲ ПОПЕРЕДЖЕННЯ: Користуйтеся засобами захисту органів слуху.

Декларація про відповідність стандартам ЄС

Тільки для країн Європи

Декларацію про відповідність стандартам ЄС наведено в Додатку А до цієї інструкції з експлуатації.

ПОПЕРЕДЖЕННЯ ПРО ДОТРИМАННЯ ТЕХНІКИ БЕЗПЕКИ

Загальні застереження щодо техніки безпеки при роботі з електроінструментами

▲ ПОПЕРЕДЖЕННЯ: Уважно ознайомтеся з усіма попередженнями про дотримання правил техніки безпеки, інструкціями, ілюстраціями та технічними характеристиками, що стосуються цього електроінструмента. Невиконання будь-яких інструкцій, перелічених нижче, може призвести до ураження електричним струмом, пожежі та/або тяжких травм.

Збережіть усі інструкції з техніки безпеки та експлуатації на майбутнє.

Термін «електроінструмент», зазначений у інструкції з техніки безпеки, стосується електроінструмента, який функціонує від електромережі (електроінструмент з кабелем живлення), або електроінструмента з живленням від батареї (безпроводний електроінструмент).

Інструкції з техніки безпеки для настільних розпилювальних верстатів

Попередження щодо огородження

1. **Огородження мають бути на місці. Огородження мають бути в робочому стані й вмонтовані належним чином.** Необхідно відремонтувати або замінити огородження, що не тримається міцно, пошкоджене чи не функціонує належним чином.
2. **Не допускайте контакту диска пили з огородженням, запобіжним ножом або робочою деталлю до ввімкнення інструмента.** Ненавмисне торкання диска пили до цих деталей може спричинити небезпечні ситуації.
3. **Слід відрегулювати запобіжний ніж згідно із цією інструкцією з експлуатації.** Неправильне встановлення, розміщення й вирівнювання не дасть змоги запобіжному ножу зменшити віддачу.
4. **Для того щоб запобіжний ніж і стопори для запобігання віддачі функціонували, вони повинні стикатися з деталлю.** Запобіжний ніж і стопори для запобігання віддачі неефективні в разі різання занадто коротких заготовок, що не торкаються запобіжного ножа й стопорів для запобігання віддачі. У цьому випадку попередити віддачу за допомогою запобіжного ножа й стопорів для запобігання віддачі неможливо.
5. **Використовуйте запобіжний ніж із відповідним диском пили.** Для забезпечення нормальної роботи запобіжного ножа діаметр диска пили має бути відповідним запобіжному ножу, корпус диска пили диск має бути тоншим за товщину запобіжного ножа, а ширина різання диска повинна бути більшою за товщину запобіжного ножа.

Попередження щодо процедур різання

1. **▲ НЕБЕЗПЕЧНО.** Руки й пальці не повинні перебувати поблизу або на одній лінії із диском пили. Миттєва неуважність або зісковзування можуть спрямувати вашу руку до диску пили й спричинити серйозні травми.
2. **Подавайте заготовку до диска пили лише в напрямку, протилежному напрямку обертання диска.** Подавання заготовки в тому самому напрямку, що й напрямком обертання диска пили над столом, може спричинити затягування заготовки та руки в диск пили.
3. **Не можна використовувати поперечний упор для подавання заготовки під час поздовжнього різання, не можна використовувати напрямну планку в якості поздовжнього стопора під час поперечного різання з поперечним упором.** Коли заготовка спрямовується одночасно за допомогою напрямної планки й поперечного упора, це збільшує вірогідність заїдання диска пили.
4. **Під час поздовжнього різання завжди спрямуйте силу подачі заготовки між планкою та диском пили.** Використовуйте планку-штовхач, якщо відстань між напрямною планкою та диском пили менша за 150 мм, використовуйте колодку-штовхач, якщо ця відстань менша за 50 мм. Ці допоміжні пристрої утримуватимуть руку на безпечній відстані від диска пили.
5. **Використовуйте лише планку-штовхач, надану виробником або вироблену згідно з інструкціями.** Ця планка-штовхач забезпечує достатню відстань руки від диска пили.
6. **Не можна користуватися пошкодженою або обрізаною планкою-штовхачем.** Пошкоджена планка-штовхач може зламатися, і ваша рука зісковзне під диск пили.
7. **Не слід виконувати будь-які операції виключно вручну.** Завжди користуйтеся напрямною планкою або поперечним упором для позиціонування й спрямування заготовки. «Виключно вручну» означає використання рук замість напрямної планки чи поперечного упора для підтримки й спрямування заготовки. Пиляння з подаванням виключно вручну призводить до неправильного вирівнювання, заїдання та віддачі.
8. **Руки ніколи не повинні перебувати поряд із диском пили, що обертається, або над ним.** Коли ви протягаєте руку до заготовки, ви можете випадково торкнутися диска пили, що обертається.
9. **Забезпечте додаткову опору для заготовки позаду й/або з боків розпилювального стола для довгих і/або широких заготовок, щоб вони лежали рівно.** Довгі й/або широкі заготовки можуть перекидатися через край стола, що призведе до втрати контролю, заїдання диска пили та віддачі.
10. **Подавання заготовки слід виконувати рівномірно. Не допускайте згинання й перекручування заготовки.** Якщо сталася заклинювання, негайно вимкніть верстат, витягніть вилку з електричної розетки й усуньте заклинювання. Заклинювання диска пили заготовкою може спричинити віддачу або зупинку двигуна.

11. **Не видаляйте частини відрізаного матеріалу під час роботи пили.** Матеріал може потрапити в напрямну планку чи між огорожденням і диском пили й штовхнути палець під диск пили. Вимкніть пилу й зачекайте зупинення диска пили, перш ніж видаляти матеріал.
12. **Під час різання заготовок товщиною менше 2 мм використовуйте додаткову планку, що прилягає до поверхні стола.** Тонка заготовка може заклинюватися під напрямною планкою й створювати віддачу.
8. **Не можна різати штабелі заготовок, ані горизонтальні, ані вертикальні.** Диск пили може захопити одну або кілька з них і спричинити віддачу.
9. **За повторного ввімкнення пили з диском у деталі необхідно відцентрувати диск пили в пропилі так, щоб зубці пили не зачепилися за матеріал.** Якщо диск пили затиснений, він може підняти заготовку й спричинити віддачу під час повторного ввімкнення пили.
10. **Диски пили повинні бути чистими, гострими та з достатньо розведеними зубцями.** Не використовуйте погнуті диски або диски з тріснутими чи відламаними зубцями. Гострі диски пили з належним чином розведеними зубцями зменшують до мінімуму заїдання, зупинку й віддачу.

Причини віддачі й відповідні попередження

Віддача – це раптова реакція заготовки на защемлення або заклинювання диска пили або неправильне вирівнювання лінії різання заготовки відносно диска пили, або коли частина заготовки заклинюється між диском пили й напрямною планкою або іншим закріпленням об'єктом.

Під час віддачі задня частина диска пили зазвичай піднімає заготовку над столом і відкидає її в бік оператора.

Причинами віддачі є неправильне використання пили та/або неправильний порядок чи умови експлуатації. Її можна уникнути, дотримуючись запобіжних заходів, наведених нижче.

1. **Не можна стояти на одній лінії з диском пили. Оператор завжди повинен перебувати з того ж боку від диска пили, що й напрямна планка.** Віддача може відкинути заготовку з великою швидкістю в бік людини, що стоїть на одній лінії з диском пили.
2. **Заборононо простягати руку над диском пили або позаду диска пили, щоб тягнути або підтримувати заготовку.** Може статися випадкове торкання до диска пили, або віддача може затягнути пальці під диск пили.
3. **Заборононо утримувати й притискати заготовку під час різання до диска пили, що обертається.** Притискання заготовки, що розрізується, до диска пили сприяє виникненню заїдання й віддачі.
4. **Відрегулюйте напрямну планку таким чином, щоб вона була паралельна диску пили.** Неправильно відрегульована планка штовхатиме заготовку в бік диска й цим створюватиме віддачу.
5. **Будьте надзвичайно уважні, коли виконуєте різання в зонах, де візуальне спостереження неможливе, або різання зібраних деталей.** Виступаючий диск пили може зіткнутися з предметами, що спричинять віддачу.
6. **Необхідно забезпечити опору великих панелей, щоб мінімізувати ризик віддачі й защемлення диска пили.** Великі панелі прогинаються під власною вагою. Під усі частини панелі, що звисають зі стола, необхідно встановити опори.
7. **Будьте особливо уважними під час різання покоровблених чи деформованих заготовок, заготовок із сучками або з нерівними краями, які неможливо направляти поперечним упором або вздовж планки.** Покоровблена, деформована заготовка або заготовка із сучками нестабільна й може спричинити зміщення диска пили в пропилі, заїдання та віддачу.
1. **Вимкніть настільний розпилювальний верстат і від'єднайте шнур живлення від мережі за необхідності видалити пластину для пропила, замінити диск пили або відрегулювати положення запобіжного ножа, стопорів для запобігання віддачі або огородження диска пили, або коли верстат залишається без нагляду.** Ці застережні заходи допомагають уникати нещасних випадків.
2. **Ніколи не залишайте настільний розпилювальний верстат під час роботи без догляду. Вимкніть його й не залишайте, доки інструмент не зупиниться повністю.** Якщо пила працює без нагляду, вона є неконтрольованим джерелом небезпеки.
3. **Установіть настільний розпилювальний верстат у добре освітленому й рівному місці, де ви завжди зможете твердо стояти на ногах і тримати рівновагу.** Верстат слід встановлювати в місці з достатнім простором, щоб легко маніпулювати заготовками різного розміру. Вузькі темні ділянки й нерівна ковзна підлога сприяють нещасним випадкам.
4. **Необхідно регулярно чистити й видаляти тирсу під розпилювальним столом та/або з пилосбірника.** Тирса горюча, і в разі накопичення може статися самозаймання.
5. **Настільний розпилювальний верстат необхідно закріпити.** Якщо настільний розпилювальний верстат не закріплений належним чином, він може зсунутися або перевернутися.
6. **Видаліть інструменти, відходи деревини та ін. зі стола, перш ніж вимкати настільний розпилювальний верстат.** Відволікання або потенційне заклинювання може бути небезпечним.
7. **Обов'язково використовуйте диски пили зі шпindelними отворами відповідного розміру й форми (ромбічні або круглі).** У разі невідповідності кріплення центрування дисків пили буде порушено, що призведе до втрати контролю.
8. **Не можна використовувати пошкоджені або невідповідні дискам елементи кріплення, наприклад фланці, шайби, болти або гайки для дисків пили.** Ці елементи кріплення були спеціально розроблені для вашої пили. Вони покликані забезпечити безпечну роботу й оптимальну продуктивність.

9. Не можна стояти на настільному розпилювальному верстаті або використовувати його у якості сходні. Перекидання інструмента чи випадковий контакт із різальним інструментом може призвести до серйозних травм.
10. Переконайтеся, що диск пили встановлений так, що він обертається в потрібному напрямку. Не використовуйте шліфувальні круги, дротяні щітки або абразивні круги на настільному розпилювальному верстаті. Неправильне встановлення диска пили або використання нерекоменованих комплектуючих може призвести до серйозних травм.

Додаткові інструкції

1. Використовуйте тільки такі диски пили, на яких указана швидкість дорівнює швидкості, зазначеній на інструменті, або є більшою за неї.
2. Обирайте диски пили відповідно до матеріалу, що буде різатися.
3. Під час роботи з дисками пили надягайте рукавиці.
4. Перед встановленням диска почистьте шпindel, фланці (особливо поверхню встановлення) й шестигранну гайку. Неправильне встановлення може викликати вібрацію/биття або прослизання диска.
5. Не можна різати металеві предмети, наприклад цвяхи чи гвинти. До початку роботи перевірте заготовки й видаліть з них усі цвяхи, гвинти та сторонні матеріали.
6. **НИКОЛИ** не дозволяйте іншим особам перебувати на одній лінії з траєкторією диска пили.
7. Перед початком різання деталі запустіть інструмент і дайте йому попрацювати деякий час на холостому ходу. Звертайте увагу на вібрацію або биття: це може свідчити про неправильне встановлення або незадовільне балансування леза.
8. Не можна застосовувати верстат для виконання пазів або канавок.
9. Якщо пластина для пропила зношена, її слід замінити.
10. Якщо планка-штовхач не використовується, зберігайте її в спеціально призначеному місці.
11. Вибивайте із заготовки усі сучки, що не сидять міцно, **ПЕРЕД** початком різання.
12. Інколи пил, що утворюється під час різання, містить хімічні речовини, здатні спричинити захворювання на рак, вади розвитку або інші порушення репродуктивної функції. Деякі приклади таких хімічних речовин:
 - Свинець, який утворюється під час різання матеріалу з барвником на свинцевій основі.
 - Миш'як і хром, які утворюються під час різання хімічно обробленого пиломатеріалу.

- Ризик негативного впливу цих речовин залежить від частоти виконання такого виду роботи. Щоб зменшити вплив таких хімічних речовин, потрібно працювати в добре провітрюваному приміщенні та з використанням схвалених засобів індивідуального захисту, таких як пилозахисні маски, спеціально призначені для фільтрації мікроскопічних частинок.
13. Завжди впевнюйтеся, що додаткове огороження опущене й прилягає до розпилювального стола, перш ніж вмикати верстат у мережу.
14. Регулярно оглядайте подовжувальні шнури й заміняйте в разі пошкодження.
15. (Лише для європейських країн) використовуйте тільки рекомендовані виробником диски пили, які відповідають стандарту EN847-1.

ВСТАНОВЛЕННЯ

Позиціонування настільного розпилювального верстата

- **Рис.1:** 1. Діаметр отвору 8 мм
- **Рис.2:** 1. Стандартна шайба 6 мм 2. Шурупи для деревини 10 шт. довжиною мін. 40 мм
- **Рис.3:** 1. Стандартна шайба 6 мм 2. Міцно затягніть монтажний болт і гайку 6 мм

Установіть настільний розпилювальний верстат у добре освітленому й рівному місці, де ви завжди зможете твердо стояти на ногах і тримати рівновагу. Верстат слід встановлювати в місці, де простору достатньо для зручного маніпулювання заготовками різного розміру. Настільний розпилювальний верстат необхідно закріпити чотирма гвинтами або болтами на столі або стійці для настільного розпилювального верстата із застосуванням отворів, що є у дні настільного розпилювального верстата. У разі кріплення настільного розпилювального верстата на столі впевніться, що розмір отвору в ньому відповідає розміру отвору в дні настільного розпилювального верстата. Це необхідно для видалення тирси. Якщо під час роботи є вірогідність перекидання, зісковзування чи зсуву настільного розпилювального верстата, необхідно зафіксувати стіл або настільний розпилювальний верстат на підлозі.

Зберігання додаткового обладнання

- **Рис.4:** 1. Поперечний упор
- **Рис.5:** 1. Напрямна планка 2. Планка-штовхач 3. Стопори для запобігання віддачі

Поперечний упор, диски пили й ключі можна зберігати ліворуч на основі. Напряму планку, планку-штовхач і стопори для запобігання віддачі можна зберігати праворуч на основі.

ОПИС РОБОТИ

⚠ОБЕРЕЖНО: Перед тим як регулювати або перевіряти функціональність інструмента, обов'язково переконайтеся, що інструмент вимкнено й від'єднано від електромережі.

Захисний кожух диска

⚠ПОПЕРЕДЖЕННЯ: Забороняється пошкоджувати або знімати огородження диска. Незахищений диск може спричинити серйозні травми під час роботи.

⚠ПОПЕРЕДЖЕННЯ: Ніколи не використовуйте інструмент, якщо огородження пошкоджено, знято або якщо воно має дефекти. Робота з інструментом, захисне огородження якого пошкоджено, має дефекти або знято, може призвести до серйозних травм.

► **Рис.6:** 1. Захисний кожух диска 2. Додаткове огородження

Коли ви під час різання притискаєте заготовку в напрямку диска, нижній край додаткового огородження повинен прилягати до основного стола. Коли відбувається подавання заготовки, диск пили й додаткове огородження находяться на край заготовки.

З міркувань безпеки постійно підтримуйте огородження й додаткове огородження диска в належному стані. Будь-які відхилення в роботі огородження й додаткового огородження диска необхідно негайно виправляти. Упевніться, що диск пили й додаткове огородження опущені та нижній край додаткового огородження торкається основного стола, коли заготовка не подана.

Якщо прозорі деталі забруднилися або до них пристала тирса і що диск та/або деталь погано видно, вимкніть кабель інструмента з електромережі й ретельно очистьте прозорі деталі вологою серветкою. Забороняється застосовувати розчинники або будь-які миючі засоби на основі бензину, оскільки так можна пошкодити ці деталі. У разі знебарвлення деталей впродовж їх експлуатації або внаслідок впливу ультрафіолетового випромінювання ви можете придбати нові деталі в центрі обслуговування Makita. **ЗАБОРОНЯЄТЬСЯ ПОШКОДЖУВАТИ АБО ЗНИМАТИ ОГОРОДЖЕННЯ Й ДОДАТКОВЕ ОГОРОДЖЕННЯ ДИСКА.**

Регулювання глибини різання

► **Рис.7:** 1. Ручка

Глибину різання можна регулювати повертанням ручки. Повертайте ручку за годинниковою стрілкою, щоб підняти диск пили, і проти годинникової стрілки, щоб опустити його.

ПРИМІТКА: За необхідності отримати чистий зріз під час роботи з тонкими матеріалами налаштуйте станок на невелику глибину різання.

Регулювання кута нахилу

► **Рис.8:** 1. Важіль блокування 2. Стрілка-вказівник 3. Маховик

Звільніть стопорний важіль, повернувши його проти годинникової стрілки, і повертайте маховик, доки не отримаєте потрібний кут (0° – 45°). Стрілка-вказівник показує кут нахилу. Після отримання потрібного кута затягніть стопорний важіль, повернувши його за годинниковою стрілкою, щоб зафіксувати налаштування.

⚠ОБЕРЕЖНО: Після налаштування кута нахилу перевірте, чи міцно затягнений стопорний важіль.

Регулювання упорів-обмежувачів

► **Рис.9:** 1. Регулювальний гвинт 90°
2. Регулювальний гвинт 45°

► **Рис.10**

Верстат оснащений упорами-обмежувачами 90° та 45° відносно поверхні стола. Для перевірки й налаштування упорів-обмежувачів виконайте наступні дії: Повертаючи маховик, зсуньте його якомога далі. Установіть на столі трикутник і перевірте, чи диск пили розташований під кутом 90° або 45° до поверхні стола. Якщо диск пили розташований під кутом, показаним на рис. А, повертайте регулювальні гвинти за годинниковою стрілкою; якщо він розташований під кутом, показаним на рис. В, повертайте регулювальні гвинти проти годинникової стрілки для регулювання упорів-обмежувачів. Після регулювання упорів-обмежувачів встановіть диск пили під кутом 90° до поверхні стола. Потім відрегулюйте стрілку-вказівник, щоб її правий край перебував на відмітці 0° .

► **Рис.11:** 1. Стрілка-вказівник

Дія перемикача

► **Рис.12:** 1. Перемикач

⚠ОБЕРЕЖНО: Перед початком роботи увімкніть і знову вимкніть верстат.

Для ввімкнення верстата натисніть на кнопку УВІМКН. (I). Для вимкнення натисніть на кнопку ВИМКН. (O).

Напрямна підпора (напрямна планка)

► **Рис.13:** 1. Затискний гвинт 2. Напрямна планка 3. Напрямна підпора 4. Рейка

Якщо прямна планка розташована близько від диска пили, для підтримки заготовки користуйтеся прямою підпорою. Відверніть затискний гвинт і зсуньте пряму підпору, щоб вона вийшла з рейки. Установіть пряму підпору, як показано на рисунку, і затягніть затискні гвинти.

Коли прямна планка встановлена ліворуч від диска пили, перевірте пряму підпору. Зніміть затискні гвинти, пряму підпору й рейку з прямої планки. Нещільно прикріпіть рейку праворуч від прямої планки за допомогою знятих затискних гвинтів. Після цього встановіть пряму підпору й затягніть затискні гвинти.

► **Рис.14:** 1. Напрямна планка 2. Напрямна підпора 3. Затискний гвинт 4. Рейка

Додатковий стіл (справа)

► **Рис.15:** 1. Важіль

► **Рис.16:** 1. Додатковий стіл (справа)

Цей верстат оснащений додатковим столом із правого боку основного стола. Для використання додаткового стола (справа) підніміть обидва важелі попереду праворуч, повністю витягніть стіл (справа), а потім опустіть важелі, щоб зафіксувати його.

За використання додаткового стола (справа) розташуйте масштабну лінійку на додатковому столі: відверніть гвинт на лінійці викручкою так, щоб вона співпала з масштабною лінійкою на основному столі.

► **Рис.17:** 1. Масштабна лінійка 2. Гвинт

Додатковий стіл (позаду)

Додаткове приладдя

► **Рис.18:** 1. Додатковий стіл (позаду) 2. Гвинт

Для використання додаткового стола (позаду) відверніть гвинти ліворуч і праворуч під столом та витягніть його назад на потрібну довжину. Міцно затягніть гвинти на потрібній довжині.

ПРИМІТКА: За використання додаткового стола (позаду) одночасно з напрямною планкою витягніть додатковий стіл (позаду) більш ніж на 50 мм, щоб він не вдарявся об верхній край напрямної планки.

Додатковий стіл (зліва)

Додаткове приладдя

► **Рис.19:** 1. Гвинт 2. Додатковий стіл (зліва)

Додатковий стіл (зліва) (додаткове приладдя) можна встановити ліворуч від основного стола, щоб отримати ширший простір.

Стопори для запобігання віддачі

ПОПЕРЕДЖЕННЯ: За можливості використовуйте стопори для запобігання віддачі під час операцій різання. У випадку віддачі вони допомагають запобігати відкиданню матеріалу вперед у бік оператора, що може спричинити серйозні травми.

► **Рис.20:** 1. Стопор для запобігання віддачі 2. Затиск

Для видалення стопорів для запобігання віддачі з верстата відверніть затиск на основі стопорів для запобігання віддачі й витягніть їх. Для встановлення виконайте процедуру зняття у зворотному порядку.

ЗБОРКА

ОБЕРЕЖНО: Перед виконанням будь-яких робіт з інструментом обов'язково вимкніть його та відключіть від електромережі.

Встановлення й зняття диска пили

ОБЕРЕЖНО: Переконайтеся, що інструмент вимкнено й від'єднано від мережі, перш ніж встановлювати або знімати диск пили.

ОБЕРЕЖНО: Для встановлення або зняття диска пили використовуйте тільки гайковий ключ виробництва компанії Makita, що входить до комплекту. Невиконання цієї вимоги може призвести до надмірного або недостатнього затягування болта із шестигранною головкою. Це може призвести до травмування.

ОБЕРЕЖНО: Використовуйте наступний диск пили. Не можна використовувати диски пили, які не відповідають характеристикам, наведеним у цій інструкції.

Діаметр	Товщина диска пили	Пропил
260 мм	Менше ніж 1,9 мм	Більше ніж 2,1 мм

1. Відпустіть гвинти на пластині для пропила й зніміть її.

2. Утримуючи зовнішній фланець другим гайковим ключем, відпустіть шестигранну гайку, повернувши її проти годинникової стрілки за допомогою ключа. Зніміть зовнішній фланець.

► **Рис.21:** 1. Допоміжний ключ 2. Шестигранна гайка 3. Ключ

3. Зберіть внутрішній фланець, кільце, диск пили, зовнішній фланець і шестигранну гайку на шпинделі, переконайтеся, що зубці диска спрямовані на передню сторону стола. Шестигранну гайку встановлюйте так, щоб виточена частина була спрямована до зовнішнього фланця.

► **Рис.22:** 1. Внутрішній фланець 2. Кільце 3. Диск пили 4. Зовнішній фланець 5. Шестигранна гайка

ОБЕРЕЖНО: Упевніться, що диск пили встановлений таким чином, що зубці спрямовані в напрямку різання (обертання).

ОБЕРЕЖНО: Перш ніж встановлювати диск пили, перевірте діаметр отвору для шпинделя в диску пили. Завжди слід застосовувати кільце, що відповідає розміру отвору для шпинделя в диску пили, який ви бажаєте використати. Розміри кільця, що постачаються, різняться залежно від країни.

- Для інструментів із діаметром отвору диска пили 30 мм постачається кільце із зовнішнім діаметром 30 мм.
- Для інструментів із діаметром отвору диска пили 25,4 мм і 25 мм постачаються сріблясті й чорні кільця. Сріблясте кільце використовується для диска пили з діаметром отвору 25,4 мм, а чорне кільце – для диска пили з діаметром отвору 25 мм.

4. Для фіксації диска пили утримуйте зовнішній фланець допоміжним гайковим ключем і затягніть шестигранну гайку, повертаючи її за годинниковою стрілкою за допомогою ключа. **ОБОВ'ЯЗКОВО НАДІЙНО ЗАТЯГНІТЬ ШЕСТИГРАННУ ГАЙКУ.**

► **Рис.23:** 1. Допоміжний ключ 2. Ключ

▲ ОБЕРЕЖНО: Слідкуйте, щоб на поверхні фланця не було бруду або сторонніх речовин, здатних призвести до прослизання диска.

▲ ОБЕРЕЖНО: Переконайтеся, що ви міцно тримаєте шестигранну гайку ключем. Якщо ручка зісковзне, ключ може зіскочити із шестигранної гайки, і рука може вдаритися об гострі краї диска.

5. Встановіть пластину для пропила на місце за допомогою гвинта.

Налаштування запобіжного ножа

▲ ОБЕРЕЖНО: Якщо диск пили й запобіжний ніж не відрегульовані належним чином, під час роботи може виникнути небезпечне заземлення. Переконайтеся, що вони вирівняні належним чином. Ви можете отримати серйозні травми, якщо використовуватимете верстат із неправильно налаштованим запобіжним ножом.

▲ ОБЕРЕЖНО: **НІКОЛИ** не виконуйте налаштування, коли верстат працює. Від'єднайте верстат від мережі, перш ніж виконувати налаштування.

▲ ОБЕРЕЖНО: Не видаляйте запобіжний ніж.

- **Рис.24:** 1. Огородження диска 2. Запобіжний ніж 3. Гвинт

Позиція запобіжного ножа відрегульована на заводі так, щоб диск пили й запобіжний ніж були на одній прямій лінії. Однак якщо диск пили й запобіжний ніж не перебувають на одній лінії, їх необхідно відрегулювати.

Відверніть гвинти на пластині для пропила й зніміть її з основного стола. Відверніть гвинти із шестигранними головками (В) і відрегулюйте привалочную поверхню огороження диска (опору) так, щоб запобіжний ніж був розташований точно позаду диска пили. Потім затягніть болти із шестигранними головками (В), щоб зафіксувати опору, і встановіть на місце пластину для пропила.

- **Рис.25:** 1. Диск 2. Ці два зазори повинні бути однаковими. 3. Запобіжний ніж 4. Болти із шестигранними головками (В) 5. Болти із шестигранними головками (А)

Між запобіжним ножом і зубцями диска має бути відстань приблизно 4 мм – 5 мм. Відверніть болти із шестигранними головками (А), відрегулюйте запобіжний ніж належним чином і щільно затягніть болти із шестигранними головками (А). Закріпіть пластину для пропила на столі, потім перед початком різання перевірте, чи плавно працює огороження диска.

- **Рис.26:** 1. Запобіжний ніж 2. Кожух полотна 3. Відстань 4 мм – 5 мм

Установлення й регулювання напрямної планки

- **Рис.27:** 1. Гачок 2. Фіксуєча ручка 3. Напрямна рейка

1. Вставте гачок на кінці напрямної планки в дальшу напрямну рейку на столі або додаткову стілу (справа) й установіть та натисніть на напрямну планку вперед, щоб тримач планки зафіксувався в ближчій напрямній рейці.

2. Щоб зсунути напрямну планку на напрямній рейці вбік, зсуньте ручку на тримачі планки до упору, при цьому не тягніть за важіль фіксуєчої ручки.

Щоб зафіксувати напрямну планку, зсуньте фіксуєчу ручку до упору на тримач планки.

3. Для видалення напрямної планки потягніть важіль на фіксуєчої ручці та зсуньте ручку вперед до упору, одночасно тягніть важіль.

Щоб перевірити, чи напрямна планка паралельна диску пили, зафіксуйте напрямну планку на відстані 2 мм – 3 мм від диска пили. Підніміть диск на максимальну можливу висоту. Зробіть відмітку крейдю на одному із зубців. Виміряйте відстані (А) та (В) між напрямною планкою й диском пили. Обидва вимірювання виконуються від зубця з крейдювою відміткою. Ці два вимірювання повинні бути однаковими. Якщо напрямна планка непаралельна диску пили, дійте, як описано нижче:

- **Рис.28:** 1. Шкала

1. Розташуйте напрямну планку в позиції, коли її можна зрушити з місця.

2. Відверніть два болти із шестигранними головками на напрямній планці за допомогою шестигранного ключа, що постачається з верстатом.

- **Рис.29:** 1. Болти із шестигранними головками

3. Відрегулюйте напрямну планку, щоб вона стала паралельно диску пили.

4. Опустіть фіксуєчу ручку на напрямній планці в бік оператора.

5. Затягніть два болти із шестигранними головками на напрямній планці.

- **Рис.30**

▲ ОБЕРЕЖНО: Упевніться, що напрямна планка розташована паралельно диску пили, бо в іншому випадку існує ймовірність віддачі.

Якщо напрямну планку не можна зафіксувати жорстко, налаштуйте її відповідно до процедури, описаної нижче.

1. Установіть напрямну планку на стіл, зсуньте фіксуєчу ручку на половину її ходу (положення руху). Затягніть гвинт (А), щоб зафіксувати напрямну планку. Потім відверніть його на 1/4 – 1/2 оберту.

- **Рис.31:** 1. Напрямна планка 2. Розблоковане положення 3. Положення руху 4. Положення блокування

► **Рис.32:** 1. Напрямна планка 2. Положення руху 3. Гвинт (В) 4. Гвинт (А)

2. Затягніть гвинт (В) повністю, а потім відверніть його приблизно на 2 повні оберти.

- Зabloкуйте напрямну планку; для цього зсуньте фіксуючу ручку до упору на тримач планки (положення блокування).
- Упевніться, що напрямну планку можна встановити у вихідне положення і зсунути з нього (розблоковане положення).
- Упевніться, що коли фіксуюча ручка перебуває в середньому положенні, напрямна планка рухається плавно, без ривків.

УВАГА: Будьте уважні, не затягуйте гвинти сильніше, ніж вказано в інструкціях, наведених вище. Недотримання цих інструкцій може призвести до пошкодження деталей кріплення.

Установіть напрямну планку урівень із боковою поверхнею диска пили. Упевніться, що контрольна позначка на тримачі планки вказує на 0 на шкалі. Якщо контрольна позначка не вказує на 0 на шкалі, відверніть гвинт на масштабній лінійці й відрегулюйте масштабну лінійку.

► **Рис.33:** 1. Контрольна позначка 2. Гвинти

Під'єднання пирососа

У разі під'єднання верстата до пирососа Makita або пилозбірника робота буде чистішою.

► **Рис.34**

РОБОТА

▲ОБЕРЕЖНО: Завжди користуйтеся такими допоміжними пристроями, як планки-штовхачі й колодки-штовхачі, коли існує небезпека, що руки та пальці опиняться близько до диска пили.

▲ОБЕРЕЖНО: Завжди притискайте заготовку до стола й напрямної планки чи поперечного упору. Не допускайте її згинання й перекручування під час подавання. Якщо заготовка зігнута або перекручена, існує ризик віддачі.

▲ОБЕРЕЖНО: **НИКОЛИ** не видаляйте заготовку, якщо диск пили працює. Якщо треба видалити заготовку до закінчення різання, спочатку вимкніть верстат, міцно утримуючи заготовку. Зачекайте, доки диск пили повністю не зупиниться, перш ніж видаляти заготовку. За невиконання цієї умови існує ризик віддачі.

▲ОБЕРЕЖНО: **НИКОЛИ** не видаляйте обрізки, якщо диск пили працює.

▲ОБЕРЕЖНО: **НИКОЛИ** не кладіть руки або пальці на шляху диска пили. Особливо уважними слід бути під час виконання різання з кутом нахилу.

▲ОБЕРЕЖНО: Обов'язково фіксуйте напрямну планку, інакше існує ризик віддачі.

▲ОБЕРЕЖНО: Завжди користуйтеся допоміжними пристроями, такими як планки-штовхачі й колодки-штовхачі, коли виконуєте різання малих або вузьких заготовок.

Допоміжні пристрої

Допоміжні пристрої – це планки-штовхачі, колодки-штовхачі й додаткова планка. Використовуйте їх, щоб виконувати різання безпечно та впевнено без необхідності торкатися до диска пили жодними частинами тіла.

Колодка-штовхач

► **Рис.35:** 1. Поверхня й край паралельні 2. Ручка 3. Шуруп 4. Склеїти

Використовуйте фанеру товщиною 19 мм.

Ручка має бути в центрі деталі з фанери. З'єднайте клеєм і шурупами для деревини, як показано на рисунку. До фанери необхідно приклеїти дерев'яний брусок 9,5 мм × 8 мм × 50 мм, щоб диск пили під час роботи не затупився, якщо оператор помилково спрямує під диск колодку-штовхач. (В колодки-штовхачах не можна використовувати цвяхи.)

Додаткова планка

► **Рис.36:** 1. Поверхня й край паралельні

Зробіть додаткову планку з фанери товщиною 9,5 мм і 19 мм.

Поздовжнє різання

▲ОБЕРЕЖНО: Під час поздовжнього різання зніміть поперечний упор зі стола.

▲ОБЕРЕЖНО: За різання довгих або великих заготовок необхідно забезпечити відповідну опору позаду стола. Довгі панелі **НЕ ПОВИННІ** рухатися або зсуватися на столі. Це призведе до заїдання диска пили й збільшить вірогідність віддачі та травм персоналу. Опори повинні бути на тій самій висоті, що й стіл.

▲ОБЕРЕЖНО: Не можна виконувати поздовжнє різання з нахилом на стороні скосу диска пили.

1. Установіть дещо більшу глибину різання, ніж товщина заготовки.

► **Рис.37**

2. Розташуйте напрямну планку на потрібній ширині різання й заблокуйте в цьому положенні за допомогою фіксуючої ручки. Перед різанням упевніться, що задній кінець напрямної планки міцно закріплений. Якщо він закріплений недостатньо надійно, виконайте заходи, описані в розділі «Установлення й регулювання напрямної планки».

3. Увімкніть верстат і обережно подавайте заготовку до диска пили вздовж напрямної планки.

Коли ширина різання становить 150 мм і більше, обережно направляйте заготовку правою рукою. Лівою рукою притискайте заготовку до напрямної планки.

► **Рис.38**

Коли ширина різання становить 65 мм – 150 мм, для подавання заготовки використовуйте планку-штовхач.

► **Рис.39:** 1. Планка-штовхач

Коли ширина різання менше 65 мм, не можна використовувати планку-штовхач, бо планка-штовхач буде битися об огороження диска. Користуйтеся додатковою планкою й колодкою-штовхачем. Додаткова планка кріпиться до прямої планки двома затискачами «С».

Подавайте заготовку вручну, доки вона не опиниться на відстані приблизно 25 мм від переднього краю стола.

► **Рис.40**

Продовжуйте подавання за допомогою колодки-штовхача зверху на додатковій планці, доки не закінчите різання.

► **Рис.41:** 1. Колодка-штовхач 2. Додаткова планка

Поперечне різання

⚠ОБЕРЕЖНО: За виконання поперечного різання видаліть зі стола пряму планку.

⚠ОБЕРЕЖНО: За різання довгих або великих заготовок необхідно забезпечити відповідну опору з боків стола. Опори повинні бути на тій самій висоті, що й стіл.

⚠ОБЕРЕЖНО: Тримайте руки подалі від шляху диска.

Поперечний упор

► **Рис.42:** 1. Поперечне різання 2. Різання з нахилом 3. Різання під кутом 4. Комбіноване різання з нахилом (кути)

Використовуйте поперечний упор для 4 типів різання, що показані на рисунку.

⚠ОБЕРЕЖНО: Міцно фіксуйте фіксуючу ручку на поперечному упорі.

⚠ОБЕРЕЖНО: Запобігайте зісковзуванню заготовки відносно упора; для цього використовуйте затискний пристрій, особливо під час різання під кутом.

⚠ОБЕРЕЖНО: ЗАБОРОНЕНО тримати частину заготовки, що ви плануєте різати, або братися за неї.

⚠ОБЕРЕЖНО: Відстань від кінця поперечного упора до диска пили не повинна перевищувати 15 мм.

Упор-обмежувач поперечного упора

► **Рис.43:** 1. Гвинт для упора-обмежувача 2. Мала пластина 3. Фіксуюча ручка

Поперечний упор постачається з упорами-обмежувачами під кутом 90°, 45° праворуч і ліворуч для швидкого налаштування кутів різання.

Для налаштування кута різання відверніть фіксуючу ручку на поперечному упорі.

Підніміть малу пластину на поперечному упорі, щоб уможливити вільне налаштування. Поверніть поперечний упор до потрібного кута різання. Встановіть малу пластину поперечного упора у вихідне положення й ретельно затягніть фіксуючу ручку, повернувши її за годинниковою стрілкою.

Використання поперечного упора

► **Рис.44:** 1. Паз 2. Поперечний упор 3. Фіксуюча ручка

Введіть поперечний упор у товсті канавки в столі. Відверніть фіксуючу ручку на упорі й встановіть під потрібним кутом (0° – 60°). Притисніть матеріал до планки й м'яко ведіть вперед до диска пили.

Допоміжний упор (поперечний упор)

► **Рис.45:** 1. Допоміжний упор

Допоміжний упор на поперечному упорі запобігає нерівному ходу заготовки. Відверніть гвинт на поперечному упорі й відрегулюйте положення допоміжного упора.

Перенесення інструмента

► **Рис.46**

Переконайтеся, щоб верстат від'єднаний від мережі електроживлення.

Переносьте верстат, тримаючись за частини, показані на рисунку.

⚠ОБЕРЕЖНО: Перед перенесенням інструмента обов'язково закріплюйте всі рухомі деталі.

⚠ОБЕРЕЖНО: Перед перенесенням упевніться, що огороження диска й додаткове огороження опущені, а нижній край додаткового огороження торкається основного стола.

ТЕХНІЧНЕ ОБСЛУГОВУВАННЯ

⚠ОБЕРЕЖНО: Перед тим як проводити огляд або технічне обслуговування інструмента, переконайтеся, що його вимкнено і від'єднано від мережі.

УВАГА: Ніколи не використовуйте газолін, бензин, розріджувач, спирт та подібні речовини. Їх використання може призвести до зміни кольору, деформації або появи тріщин.

Чищення

Час від часу видаляйте тирсу й стружку. Необхідно ретельно чистити огороження диска й рухомі частини всередині настільного розпилювального верстата.

За видалення тирси, що накопичується під диском пили, зніміть пластину для пропила й використовуйте повітродувку для видалення тирси із з'єднання пилососа.

Змащування

Щоб підтримувати настільний розпилювальний верстат у найкращому робочому стані й забезпечити максимальний термін експлуатації, необхідно регулярно змащувати рухомі та обертові деталі оливою або мастилом.

Точки змащення:

- Різьбовий вал для підйому диска пили
- Шарнір повертання рами
- Підйомні напрямні вали на двигуні
- Шестірня для підйому диска пили
- Напрямні рейки для напрямної планки
- Вал блокувальних важелів додаткового стола (справа)
- Ковзні деталі додаткового стола (справа)

Заміна графітових щіток

Регулярно перевіряйте графітові щітки. Замінійте їх, коли зношення сягає граничної відмітки. Підтримуйте чистоту графітових щіток і слідкуйте, щоб вони вільно заходили в тримачі. Замінювати обидві графітові щітки слід одночасно. Можна використовувати тільки однакові графітові щітки.

► **Рис.47:** 1. Гранична відмітка

1. Установіть додатковий стіл (справа) в положення для зберігання. Видаліть напрямну планку, якщо вона укладена для зберігання.
2. Відверніть стопорний важіль і повертайте маховик, доки головка пили не нахилиться під кутом 45°. Після цього затягніть важіль блокування.

► **Рис.48:** 1. Напрямна планка 2. Важіль блокування 3. Маховик

3. Поставте верстат правим боком униз.

► **Рис.49**

4. Відпустіть гвинти на нижній плиті й зніміть її.
5. Відверніть ковпачки тримачів щіток за допомогою викрутки й видаліть зношені графітові щітки.

► **Рис.50:** 1. Нижня плита 2. Ковпачок щіткотримача 3. Викрутка

6. Вставте нові графітові щітки й зафіксуйте ковпачками тримачів щіток.

7. Закріпіть нижню плиту гвинтами й обережно покладіть верстат на нижню плиту. Покладіть напрямну планку на місце, якщо її було знято.

Для забезпечення БЕЗПЕКИ та НАДІЙНОСТІ продукції, її ремонт, а також роботи з обслуговування або регулювання повинні виконуватись уповноваженими або заводськими сервісними центрами Makita із використанням запчастин виробництва компанії Makita.

ДОДАТКОВЕ ПРИЛАДДЯ

▲ОБЕРЕЖНО: Це додаткове та допоміжне обладнання рекомендовано використовувати з інструментом Makita, зазначеним у цій інструкції з експлуатації. Використання будь-якого іншого додаткового та допоміжного обладнання може становити небезпеку травмування. Використовуйте додаткове та допоміжне обладнання лише за призначенням.

У разі необхідності отримати допомогу в більш детальному ознайомленні з оснащенням звертайтеся до місцевого сервісного центру Makita.

- Диски пили з твердосплавною різальною пластикою на кінці
- Додатковий стіл (зліва)
- Додатковий стіл (позаду)
- Напрямна планка
- Поперечний упор
- Допоміжний ключ 13–22
- Ключ на 19
- Шестигранний ключ на 5
- З'єднувальна муфта (для з'єднання з пилозбірником)
- Комплект стійки стола

Див. інструкцію з експлуатації стійки для настільного розпилювального верстата, що постачається зі стійкою настільного розпилювального верстата як додаткове приладдя.

ПРИМІТКА: Деякі елементи списку можуть входити до комплекту інструмента як стандартне приладдя. Вони можуть відрізнятися залежно від країни.

SPECIFICAȚII

Model:		2704N
Orificiul arborelui (în funcție de țară)		30 mm / 25,4 mm
Diametrul pânzei		260 mm
Capacități maxime de tăiere	Înclinație 0°	93 mm
	Înclinație 45°	64 mm
Turație în gol		5.200 min ⁻¹
Dimensiune masă (L x l)	cu mese auxiliare (R) și (spate)	1.045 mm x 1.066 mm (cu mesele extinse) 665 mm x 753 mm (cu mesele strânse)
	cu masă auxiliară (R) fără masă auxiliară (spate)	567 mm x 1.066 mm (cu masa extinsă) 567 mm x 753 mm (cu masa strânsă)
Dimensiuni (L x l x h) cu masa (mesele) neextinsă (neextinse)	cu mese auxiliare (R) și (spate)	715 mm x 753 mm x 483 mm
	cu masă auxiliară (R) fără masă auxiliară (spate)	665 mm x 753 mm x 483 mm
Greutate netă		35,2 kg - 37,0 kg
Clasa de siguranță		□/II

- Datorită programului nostru continuu de cercetare și dezvoltare, specificațiile pot fi modificate fără o notificare prealabilă.
- Specificațiile pot varia în funcție de țară.
- Greutatea poate diferi în funcție de accesoriu(ii). În tabel se prezintă combinația cea mai ușoară și cea mai grea, conform Procedurii EPTA 01/2014.

Simboluri

Mai jos sunt prezentate simbolurile de pe echipament. Asigurați-vă că înțelegeți sensul acestora înainte de utilizare.



Citiți manualul de utilizare.



IZOLAȚIE DUBLĂ



Purtați ochelari de protecție.



Nu țineți mâinile sau degetele în apropierea pânzei.



Doar pentru țările din cadrul UE
Nu aruncați aparatele electrice în gunoii menajer! În conformitate cu Directiva europeană privind deșeurile de echipamente electrice și electronice și implementarea sa conform legislației naționale, echipamentele electrice care au ajuns la sfârșitul duratei de viață trebuie colectate separat și reciclate corespunzător în vederea protecției mediului.

Destinația de utilizare

Mașina este destinată tăierii lemnului. Cu această mașină puteți tăia drept, înclinat și oblic. Această mașină nu este destinată tăierii incomplete.

Sursă de alimentare

Mașina trebuie conectată numai la o sursă de alimentare cu curent alternativ monofazat, cu tensiunea egală cu cea indicată pe plăcuța de identificare a mașinii. Acestea au o izolație dublă și, drept urmare, pot fi utilizate de la prize fără împământare.

Zgomot

Nivelul de zgomot normal ponderat A determinat în conformitate cu EN62841:
Nivel de presiune acustică (L_{PA}): 94 dB(A)
Nivel de putere acustică (L_{WA}): 107 dB(A)
Marjă de eroare (K): 3 dB(A)

⚠️ AVERTIZARE: Purtați echipament de protecție pentru urechi.

Declarație de conformitate CE

Numai pentru țările europene

Declarația de conformitate CE este inclusă ca Anexa A în acest manual de instrucțiuni.

AVERTIZĂRI DE SIGURANȚĂ

Avertismente generale de siguranță pentru mașinile electrice

▲AVERTIZARE: Citiți toate avertismentele privind siguranța, instrucțiunile, ilustrațiile și specificațiile furnizate cu această sculă electrică. Nerespectarea integrală a instrucțiunilor de mai jos poate cauza electrocutări, incendii și/sau vătămări corporale grave.

Păstrați toate avertismentele și instrucțiunile pentru consultări ulterioare.

Termenul „mașină electrică” din avertizări se referă la mașinile dumneavoastră electrice acționate de la rețea (prin cablu) sau cu acumulator (fără cablu).

Instrucțiuni de siguranță pentru ferăstraie de masă

Avertizări legate de apărători

1. **Păstrați apărătorile în poziție. Apărătorile trebuie să fie în stare de funcționare și să fie montate adecvat.** O apărătoare care este slăbită, deteriorată sau care nu funcționează corect trebuie reparată sau înlocuită.
2. **Asigurați-vă că pâna de ferăstrău nu intră în contact apărătoarea, cu pana de despicat sau cu piesa de prelucrat înainte de a conecta comutatorul.** Contactul accidental al acestor elemente cu pâna de ferăstrău poate cauza o stare de pericol.
3. **Reglați pana de despicat în modul descris în acest manual de instrucțiuni.** Distanța, poziționarea și alinierea necorespunzătoare pot face pana de despicat ineficientă în prevenirea reculurilor.
4. **Pentru ca pana de despicat și clicheții anti-recul să funcționeze, acestea trebuie să fie angrenate în piesa de prelucrat.** Pana de despicat și clicheții anti-recul sunt ineficienți atunci când piesele de prelucrat sunt prea scurte pentru a fi angrenate în pana de despicat și clicheții anti-recul. În aceste condiții, pana de despicat și clicheții anti-recul nu pot preveni reculurile.
5. **Utilizați pâna de ferăstrău adecvată pentru pana de despicat.** Pentru ca pana de despicat să funcționeze corect, diametrul pânzei de ferăstrău trebuie să se potrivească cu pana de despicat adecvată și corpul pânzei de ferăstrău trebuie să fie mai subțire decât pana, iar lățimea de tăiere a pânzei de ferăstrău trebuie să fie mai mare decât grosimea penii de despicat.

Avertizări legate de procedurile de tăiere

1. **▲PERICOL: Nu puneți degetele sau mâinile în apropierea sau în calea pânzei de ferăstrău.** Un moment de neatenție sau o alunecare vă poate direcționa mâna către pâna de ferăstrău și poate cauza vătămări corporale grave.
2. **Așezați piesa de prelucrat în pâna de ferăstrău doar în sensul invers direcției de rotație.** Așezarea piesei de prelucrat în aceeași direcție cu cea în care se rotește pâna de ferăstrău deasupra masei poate cauza agățarea piesei de prelucrat și a mâinii dvs. în pâna de ferăstrău.

3. **Nu utilizați niciodată calibrul de tăiere obișnuit pentru a așeza piesa de prelucrat atunci când tăiați și nu utilizați ghidajul opritor pentru o oprire pe lungime atunci când tăiați transversal cu calibrul de tăiere obișnuit.** Dirijarea piesei de prelucrat în ghidajul opritor și calibrul de tăiere obișnuit în același timp sporește posibilitatea de blocare și reculare a pânzei de ferăstrău.
4. **Atunci când tăiați, forțați întotdeauna fixarea piesei de prelucrat între ghidajul opritor și pâna de ferăstrău. Folosiți o tijă de împingere atunci când distanța dintre ghidajul opritor și pâna de ferăstrău este mai mică decât 150 mm și utilizați un bloc de împingere atunci când distanța este mai mică de 50 mm.** Dispozitivele „ajutătoare” vă vor menține mâna la o distanță sigură față de pâna de ferăstrău.
5. **Folosiți doar tija de împingere furnizată de producător sau construită în conformitate cu instrucțiunile.** Această tijă de împingere asigură o distanță suficientă a mâinii față de pâna de ferăstrău.
6. **Nu utilizați niciodată o tijă de împingere deteriorată sau tăiată.** O tijă de împingere deteriorată se poate rupe, cauzând alunecarea mâinii în pâna de ferăstrău.
7. **Nu executați nicio operație cu „mână liberă”.** Folosiți permanent fie ghidajul opritor, fie calibrul de tăiere obișnuit pentru a poziționa și a dirija piesa de prelucrat. „Mână liberă” înseamnă folosirea mâinilor pentru a susține sau a dirija piesa de prelucrat, în locul ghidajului opritor sau a calibrului de tăiere obișnuit. Tăierea cu mâna liberă duce la alinierea incorectă, blocări și reculări.
8. **Nu vă întindeți sau nu vă aplecați peste o pâna de ferăstrău care se rotește.** Accesarea piesei de prelucrat poate duce la contactul accidental cu pâna de ferăstrău în mișcare.
9. **Asigurați susținere suplimentară în partea din spate și/sau în părțile laterale ale pânzei de ferăstrău pentru piesele de prelucrat lungi și/sau late, pentru a le menține la nivelul necesar.** O piesă de prelucrat lungă și/sau lată are tendința de a pivota pe marginea mesei, cauzând pierderea controlului, blocarea și recularea pânzei de ferăstrău.
10. **Așezați piesa de prelucrat cu un ritm uniform. Nu îndoiți sau răsuciți piesa de prelucrat. Dacă se blochează, opriți mașina imediat, deconectați-o și apoi eliminați blocajul.** Blocarea pânzei de ferăstrău din cauza piesei de prelucrat poate cauza recularea sau blocarea motorului.
11. **Nu scoateți piesele de material tăiat în timp ce pâna de ferăstrău este în funcțiune.** Materialul se poate prinde între ghidajul opritor sau în interiorul dispozitivului de protecție a pânzei de ferăstrău și pâna de ferăstrău, agățându-vă degetele. Opriți ferăstrăul și așteptați până se oprește pâna de ferăstrău înainte de a scoate materialul.
12. **Folosiți un opritor auxiliar în contact cu partea superioară a mesei atunci când tăiați piese de prelucrat cu o grosime mai mică de 2 mm.** O piesă de prelucrat subțire se poate prinde sub ghidajul opritor și poate cauza un recul.

Cauze ale reculului și avertismente aferente

Reculul este o reacție bruscă a piesei de prelucrat din cauza înțepenirii, a blocării pânzei de ferăstrău sau a alinierii incorecte a piesei de prelucrat față de pâna de ferăstrău, sau atunci când o parte a piesei de prelucrat se blochează între pâna de ferăstrău și ghidajul opritor sau un alt obiect fix.

Cel mai adesea, în timpul reculului, piesa de prelucrat este ridicată de pe masă de partea din spate a pânzei de ferăstrău și este aruncată spre operator. Reculul este rezultatul utilizării incorecte a ferăstrăului și/sau al unor proceduri sau condiții de lucru necorespunzătoare, putând fi evitat prin adoptarea unor măsuri de precauție adecvate, prezentate în continuare.

1. **Nu vă poziționați niciodată direct în fața pânzei de ferăstrău. Poziționați-vă corpul permanent pe aceeași parte a pânzei de ferăstrău ca și ghidajul opritor.** La viteze mari, reculul poate arunca piesa de prelucrat spre orice persoană care se află în fața pânzei de ferăstrău și în linie cu aceasta.
2. **Nu vă aplecați niciodată peste pânda de ferăstrău sau în spatele acesteia pentru a trage sau a susține piesa de prelucrat.** Se poate produce contactul accidental cu pânda de ferăstrău sau reculul vă poate trage degetele în pânda de ferăstrău.
3. **Nu țineți și nu apăsați niciodată piesa de prelucrat care este tăiată spre pânda de ferăstrău în funcțiune.** Apăsarea piesei de prelucrat în timpul procesului de tăiere spre pânda de ferăstrău va cauza blocarea și recularea.
4. **Poziționați ghidajul opritor în paralel cu pânda de ferăstrău.** Un ghidaj opritor poziționat incorect va înțepeni piesa de lucru pe pânda de ferăstrău și va cauza recularea.
5. **Acordați o atenție sporită situațiilor în care realizați o tăiere în zone mascate ale pieselor de prelucrat asamblate.** Pânda de ferăstrău poate tăia obiecte care pot cauza recularea.
6. **Sprîjiniți panourile mari pentru a minimiza riscul de înțepenire și reculare a pânzei de ferăstrău.** Panourile mari tind să se încovoie sub propria greutate. Trebuie amplasate suporturi sub toate porțiunile panoului care depășesc suprafața mesei.
7. **Acordați o atenție sporită situațiilor în care tăiați o piesă de prelucrat care este răsucită, înodată, deformată sau care nu are o margine dreaptă pentru a o ghida cu un calibru de tăiere obișnuit sau de-a lungul ghidajului opritor.** O piesă de prelucrat deformată, înodată sau răsucită este instabilă și nu permite alinierea fantei cu pânda de ferăstrău, producând blocarea și recularea.
8. **Nu tăiați niciodată mai multe piese de prelucrat deodată, stivuite vertical sau orizontal.** Pânda de ferăstrău poate prelua una sau mai multe piese de prelucrat și poate cauza recularea.
9. **Atunci când reporniți ferăstrăul cu pânda de ferăstrău în piesa de prelucrat, centrați pânda de ferăstrău în fantă astfel încât dinții ferăstrăului să nu fie pătrunși în material.** Dacă pânda de ferăstrău se blochează, aceasta poate ridica piesa de prelucrat sau poate recula la repornirea ferăstrăului.
10. **Mențineți pânzele de ferăstrău curate, ascuțite și calibrate suficient.** Nu utilizați niciodată pânze de ferăstrău deformate sau pânze de ferăstrău cu fisuri sau dinți ruți. Ascuțiți și calbrați adecvat pânzele de ferăstrău pentru a reduce la minim blocarea, oprirea și recularea.

Avertizări legate de procedurile de utilizare a ferăstrăului de masă

1. **Opriiți ferăstrăul de masă și deconectați cablul de alimentare atunci când scoateți inserția mesei, atunci când schimbați pânda de ferăstrău sau atunci când reglați pana de despicat, clișeii anti-recul sau aparătorele pânzei de ferăstrău, precum și atunci când mașina este lăsată nesupravegheată.** Măsurile de precauție vor preveni accidentele.

2. **Nu lăsați niciodată ferăstrăul de masă să funcționeze nesupravegheat. Opriiți mașina și nu o lăsați nesupravegheată până nu se oprește complet.** Un ferăstrău care funcționează nesupravegheat reprezintă un pericol necontrolat.
3. **Amplasați ferăstrăul de masă într-o zonă bine iluminată și dreaptă în care va puteți menține echilibrul și poziția. Acesta ar trebui montat într-o zonă care oferă suficient spațiu pentru a manipula cu ușurință dimensiunea piesei dvs. de prelucrat.** Zonele strâmte, întunecate și podelele alunecoase și neuniforme pot favoriza accidentele.
4. **Curățați frecvent și scoateți rumegușul de sub masa ferăstrăului și/sau din colecteur de praf.** Rumegușul acumulat este inflamabil și se poate aprinde.
5. **Ferăstrăul de masă trebuie fixat ferm.** Un ferăstrău de masă care nu este fixat adecvat se poate deplasa sau se poate răsturna.
6. **Înlăturați uneltele, resturile de lemn etc. de pe masă înainte de a porni ferăstrăul de masă.** Distragerea atenției sau înțepenirea poate fi periculoasă.
7. **Folosiți întotdeauna pânda de ferăstrău cu orificii pentru arbore de dimensiuni și forme potrivite (romboidale versus rotunde).** Pânzele de ferăstrău care nu se potriveșc cu sistemul de montare al ferăstrăului vor funcționa neobișnuit, ducând la pierderea controlului.
8. **Nu utilizați niciodată sisteme de montare defecte sau incorecte ale pânzelor de ferăstrău, precum flanșe, șaibe, șuruburi sau piulițe ale pânzelor de ferăstrău.** Aceste sisteme de montare au fost special proiectate pentru ferăstrăul dvs., pentru funcționare în siguranță și performanță optimă a acestuia.
9. **Nu vă așezați niciodată pe ferăstrăul de masă, nu îl utilizați pe post de scară.** Se pot produce vătămări corporale grave dacă se intră în contact accidental cu unealta de tăiere.
10. **Asigurați-vă că pânda de ferăstrău este montată pentru a se roti în direcția corectă. Nu utilizați discuri abrazive, perii de sârmă sau roți abrazive pe un ferăstrău de masă.** Montarea incorectă a pânzei de ferăstrău sau utilizarea accesoriilor nerecomandate poate cauza vătămări corporale grave.

Instrucțiuni suplimentare

1. **Utilizați doar pânze de ferăstrău care sunt marcate cu o turație egală cu sau mai mare decât turația marcată pe mașină.**
2. **Alegeți pânze de ferăstrău adecvate materialului ce urmează a fi tăiat.**
3. **Purtați mănuși atunci când manipulați pânzele de ferăstrău.**
4. **Curățați arborele, flanșele (în special suprafața de montare) și piulița hexagonală înainte de montarea pânzei.** Montarea incorectă poate cauza vibrații/oscilații sau alunecarea pânzei.
5. **Nu tăiați obiecte metalice, precum cuie și șuruburi.** Inspectați piesa de prelucrat și scoateți toate ciuele, șuruburile și alte materiale străine din aceasta înainte de începerea lucrării.
6. **Nu permiteți NICIODATĂ niciunei alte persoane să se așeze în calea pânzei de ferăstrău.**
7. **Înainte de utilizarea mașinii pe piesa propriu-zisă, lăsați-o să funcționeze în gol pentru un timp. Încercați să identificați orice vibrație sau oscilație care ar putea indica o montare inadecvată sau o pânda neechilibrată.**

8. Mașina nu ar trebui utilizată pentru canelare, fâltuire sau nutuire.
9. Înlocuiți inserția mesei când se uzează.
10. Depozitați întotdeauna tija de împingere atunci când nu se utilizează.
11. Strângeți toate îmbinările slăbite ale piesei de prelucrat ÎNAINTE de a începe tăierea.
12. Unele pulberi rezultate din prelucrare conțin chimicale care prezintă riscul apariției cancerului, a malformațiilor congenitale sau a altor boli ale aparatului reproducător. Printre acestea se numără:
 - plumbul din materialele vopsite cu vopsea pe bază de plumb și
 - arsenicul și cromul din cherestea tratată chimic.

Riscurile la care sunteți expus în acest caz variază, în funcție de frecvența cu care executați acest tip de lucrare. Pentru a reduce expunerea la aceste chimicale: lucrați într-un spațiu bine ventilat și cu un echipament de protecție omologat, cum ar fi acele măști de protecție a respirației care sunt special concepute pentru a filtra particulele microscopice.

13. Asigurați-vă permanent că apărătoarea auxiliară se află în poziție joasă și orizontală pe masa ferăstrăului înainte de a conecta mașina la sursa de alimentare.
14. Examinați cablurile prelungitoare periodic și înlocuiți-le dacă sunt avariate.
15. (Doar pentru țările europene)
Utilizați doar pânze de ferăstrău recomandate de producător, care respectă standardul EN847-1.

INSTALARE

Poziționarea ferăstrăului de masă

- **Fig.1:** 1. Diametrul orificiului - 8 mm
- **Fig.2:** 1. Șaibă standard de 6 mm 2. Șurub de lemn nr. 10, lungime minimă 40 mm
- **Fig.3:** 1. Șaibă standard de 6 mm 2. Bolț de montare de 6 mm și piuliță strânsă ferm

Amplasați ferăstrăul de masă într-o zonă bine iluminată și pe o suprafață dreaptă, în care vă puteți menține echilibrul și poziția. Acesta trebuie montat într-o zonă care oferă suficient spațiu pentru a manipula cu ușurință dimensiunea piesei dvs. de prelucrat. Ferăstrăul de masă trebuie fixat ferm cu patru șuruburi sau bolțuri pe bancul de lucru sau stativul ferăstrăului de masă, folosind orificiile din partea inferioară a acestuia. În momentul fixării ferăstrăului de masă pe bancul de lucru, asigurați-vă că există o deschidere în partea superioară a bancului de lucru cu aceeași dimensiune ca și deschiderea din partea inferioară a ferăstrăului de masă, pentru scurgerea rumegușului. Dacă ferăstrăul de masă tinde să se răstoarne, să alunece sau să deplaseze în timpul utilizării, bancul de lucru sau stativul ferăstrăului de masă trebuie fixate în podea.

Depozitarea accesoriilor

- **Fig.4:** 1. Calibrul de tăiere oblic
- **Fig.5:** 1. Ghidaj opritor 2. Tijă de împingere 3. Clicheți anti-recul

Calibrul de tăiere oblic, pânda de ferăstrău și cheile pot fi depozitate pe partea din stânga a bazei. De asemenea, ghidajul opritor, tija de împingere și clicheții anti-recul pot fi depozitați pe partea dreaptă a bazei.

DESCRIEREA FUNCȚIILOR

⚠ATENȚIE: Asigurați-vă că ați oprit mașina și că ați deconectat-o de la rețea înainte de a o regla sau de a verifica starea sa de funcționare.

Apărătoarea pânzei

⚠AVERTIZARE: Nu dezactivați sau demontați niciodată apărătoarea pânzei O pânză expusă în urma dezactivării apărătoarei poate duce la accidente grave în timpul operării.

⚠AVERTIZARE: Nu utilizați niciodată mașina dacă apărătoarea pânzei este defectă, deteriorată sau demontată. Operarea mașinii cu o apărătoare defectă, deteriorată sau demontată poate cauza leziuni grave.

- **Fig.6:** 1. Apărătoarea pânzei 2. Apărătoare auxiliară

Atunci când tăiați, împingeți piesa de prelucrat înspre pânză, menținând marginea inferioară a apărătoarei auxiliare în contact cu masa principală. Pe măsură ce se alimentează piesa de prelucrat, apărătoarea pânzei și apărătoarea auxiliară se deplasează peste marginea piesei de prelucrat.

Pentru siguranța dumneavoastră, păstrați permanent apărătoarea pânzei și apărătoarea auxiliară în stare bună. Orice funcționare defectuoasă a apărătoarei pânzei și a apărătoarei auxiliare trebuie remediată imediat. Verificați pentru a vă asigura că apărătoarea pânzei și apărătoarea auxiliară se află în poziție joasă și marginea inferioară a apărătoarei auxiliare intră în contact cu masa principală atunci când nu se alimentează piesa de prelucrat.

Dacă piesele transparente devin murdare sau dacă se depune rumeguș pe acestea, astfel încât pânda și/ sau piesa de prelucrat nu mai poate fi observate cu ușurință, deconectați mașina și curățați cu grijă piesele transparente cu o lavetă umedă. Nu utilizați solvenți sau substanțe de curățare pe bază de petrol, deoarece acest lucru ar putea duce la deteriorarea piesei. Dacă piesele transparente se decolorează în timp sau din cauza expunerii la razele ultraviolete, contactați un centru de service Makita pentru a procura piese noi. **NU DEZACTIVAȚI ȘI NU SCOATEȚI APĂRĂTOAREA PÂNZEI ȘI APĂRĂTOAREA AUXILIARĂ.**

Reglarea adâncimii de tăiere

► Fig.7: 1. Manetă

Adâncimea de tăiere poate fi reglată prin rotirea manetei. Rotiți maneta spre dreapta pentru a ridica pânda de ferăstrău, sau spre stânga pentru a o coborî.

NOTĂ: Utilizați o adâncime mică atunci când tăiați materiale subțiri, pentru a obține o tăiere netedă.

Reglarea unghiului de înclinație

► Fig.8: 1. Pârghie de blocare 2. Vârful săgeții 3. Roată

Slăbiți pârghia de blocare spre stânga și rotiți roata până obțineți unghiul dorit (0° - 45°). Unghiul de înclinație este indicat de vârful săgeții.

După obținerea unghiului dorit, strângeți pârghia de blocare spre dreapta pentru a fixa reglajul.

⚠ATENȚIE: După reglarea unghiului de înclinație, asigurați-vă că ați strâns ferm pârghia de blocare.

Reglarea opririlor pozitive

► Fig.9: 1. Șurub de reglare la 90° 2. Șurub de reglare la 45°

► Fig.10

Mașina este prevăzută cu opriri pozitive la 90° și la 45° față de suprafața mesei. Pentru a verifica și a regla opririle pozitive, respectați procedura următoare:

Mutați roata cât de departe posibil, rotind-o. Amplasați un echer pe masă și verificați dacă pânda de ferăstrău se află la 90° sau la 45° față de suprafața mesei. Dacă pânda de ferăstrău se află la un unghi prezentat în Fig. A, rotiți șuruburile de reglare spre dreapta; dacă acestea se află la un unghi prezentat în Fig. B, rotiți șuruburile de reglare spre stânga, pentru a regla opririle pozitive.

După ce ați reglat opririle pozitive, montați pânda de ferăstrău la 90° față de suprafața mesei. Apoi reglați vârful săgeții astfel încât vârful să fie aliniat cu gradația 0°.

► Fig.11: 1. Vârful săgeții

Acționarea întrerupătorului

► Fig.12: 1. Comutator

⚠ATENȚIE: Înainte de utilizare, asigurați-vă că mașina este alimentată și oprită.

Pentru a porni mașina, trebuie să apăsați pe butonul PORNIT (I).

Pentru a opri mașina, trebuie să apăsați pe butonul OPRIT (O).

Opritor auxiliar (ghidaj opritor)

► Fig.13: 1. Șurub de strângere 2. Ghidaj opritor 3. Opritor auxiliar 4. Șină

Dacă ghidajul opritor se apropie de pânda de ferăstrău, utilizați opritorul auxiliar pentru a susține piesa de prelucrat. Slăbiți șuruburile de strângere și glisați opritorul auxiliar în afara șinei. Atașați opritorul auxiliar, așa cum este prezentat în imagine, și strângeți șuruburile de strângere.

Atunci când ghidajul opritor este așezat în partea stângă a pânzei de ferăstrău, schimbați poziția opritorului auxiliar. Scoateți șuruburile de strângere, opritorul auxiliar și șina din ghidajul opritor. Atașați larg șina pe partea dreaptă a ghidajului opritor, folosind șuruburile de strângere scoase. După aceea, atașați opritorul auxiliar și strângeți șuruburile de strângere.

► Fig.14: 1. Ghidaj opritor 2. Opritor auxiliar 3. Șurub de strângere 4. Șină

Masă auxiliară (R)

► Fig.15: 1. Pârghie

► Fig.16: 1. Masă auxiliară (R)

Această mașină este prevăzută cu o masă auxiliară (R) pe partea dreaptă a mesei principale. Pentru a utiliza masa auxiliară (R), ridicați ambele pârghii de pe partea dreaptă din față, trageți masa (R) complet și apoi coborâți pârghiile pentru a o fixa.

Atunci când utilizați masa auxiliară (R), amplasați placa gradată pe masa auxiliară după slăbirea șurubului de pe aceasta cu ajutorul unei șurubelnițe, astfel încât aceasta să urmeze după placa gradată pe masa principală.

► Fig.17: 1. Placă gradată 2. Șurub

Masă auxiliară (spate)

Accesoriu opțional

► Fig.18: 1. Masă auxiliară (spate) 2. Șurub

Pentru a utiliza masa auxiliară (spate), slăbiți șuruburile de pe părțile stângă și dreaptă sub masă și trageți invers pentru a obține distanța dorită. La distanța dorită, strângeți ferm șuruburile.

NOTĂ: Atunci când utilizați masa auxiliară (spate) în timpul utilizării ghidajului opritor, trageți masa auxiliară (spate) mai mult de 50 mm, astfel încât să nu lovească capătul superior al ghidajului opritor.

Masă auxiliară (L)

Accesoriu opțional

► Fig.19: 1. Șurub 2. Masă auxiliară (L)

Masa auxiliară (L) (accesoriu opțional) poate fi montată pe partea stângă a mesei pentru a avea mai mult spațiu.

Clicheți anti-recul

⚠AVERTIZARE: Utilizați clicheții anti-recul ori de câte ori este posibil în timpul procedurilor de tăiere. Acest lucru va ajuta la prevenirea împingerii materialului spre operator în timpul unei reculări care poate cauza vătămări corporale grave.

► Fig.20: 1. Clichet anti-recul 2. Dispozitiv de strângere

Pentru a scoate clicheții anti-recul din mașină, slăbiți dispozitivul de strângere de pe baza clicheților anti-recul și apoi scoateți-i. Pentru montare, executați în ordine inversă operațiile de demontare.

ASAMBLARE

ATENȚIE: Asigurați-vă că ați oprit mașina și că ați deconectat-o de la rețea înainte de a efectua vreo intervenție asupra mașinii.

Montarea sau demontarea pânzei de ferăstrău

ATENȚIE: Asigurați-vă întotdeauna că mașina este oprită și deconectată înainte de a monta sau demonta pânza de ferăstrău.

ATENȚIE: Folosiți numai cheia Makita livrată la montarea și demontarea pânzei de ferăstrău. Nerespectarea acestor indicații poate conduce la strângerea excesivă sau insuficientă a șurubului cu cap hexagonal. Aceasta poate provoca vătămări corporale.

ATENȚIE: Utilizați următoarea pânză de ferăstrău. Nu folosiți pânze de ferăstrău ale căror caracteristici nu corespund cu cele specificate în aceste instrucțiuni.

Diametru	Grosimea pânzei	Fantă
260 mm	Mai mică de 1,9 mm	Mai mare de 2,1 mm

1. Slăbiți șurubul de pe inserția mesei și scoateți-l.

2. Țineți flanșa exterioră cu cheia cotită și slăbiți piulița hexagonală cu cheia hexagonală. Apoi scoateți flanșa exterioră.

► **Fig.21:** 1. Cheie cotită 2. Piuliță hexagonală 3. Cheie

3. Asamblați flanșa interioară, inelul, pânza de ferăstrău, flanșa exterioră și piulița hexagonală pe arbore, asigurându-vă că dinții pânzei sunt orientați în jos în partea din față a mesei. Montați întotdeauna piulița hexagonală cu cavitatea orientată în exterior spre flanșa exterioră.

► **Fig.22:** 1. Flanșă interioară 2. Inel 3. Pânză de ferăstrău 4. Flanșă exterioră 5. Piuliță hexagonală

ATENȚIE: Asigurați-vă că pânza de ferăstrău este montată astfel încât dinții să fie orientați în direcția de tăiere (rotire).

ATENȚIE: Verificați diametrul orificiului arborelui pânzei de ferăstrău înainte de montarea pânzei de ferăstrău. Utilizați întotdeauna inelul potrivit pentru orificiul arborelui pânzei de ferăstrău pe care doriți să o utilizați. Dimensiunea inelului (inelor) furnizat(e) variază în funcție de țară.

- Pentru o mașină cu o pânză de ferăstrău cu diametrul orificiului de 30 mm, se furnizează un inel cu diametrul exterior de 30 mm.
- Pentru o mașină cu o pânză de ferăstrău cu diametrul orificiului de 25,4 mm și 25 mm, se furnizează inele argintii și negre. Utilizați inelul argintiu pentru pânza de ferăstrău cu diametrul orificiului de 25,4 mm și inelul negru pentru pânza de ferăstrău cu diametrul orificiului de 25 mm.

4. Pentru a fixa ferm pânza de ferăstrău, țineți flanșa exterioră cu cheia cotită, apoi strângeți piulița hexagonală spre dreapta cu cheia. **STRÂNGETEȚI FERM PIULIȚA HEXAGONALĂ.**

► **Fig.23:** 1. Cheie cotită 2. Cheie

ATENȚIE: Mențineți suprafața flanșei curată, fără murdărie sau alte materiale aderente; în caz contrar, pânza poate aluneca.

ATENȚIE: Asigurați-vă că țineți cu grijă piulița hexagonală cu cheia. Dacă vă scapă, cheia se poate desprinde de pe piulița hexagonală și ați putea lovi marginile ascuțite ale pânzei cu mâna.

5. Atașați inserția mesei cu ajutorul șuruburilor.

Reglarea penei de despicat

ATENȚIE: Dacă pânza de ferăstrău și pana de despicat nu sunt aliniate corect, ansamblul se poate bloca periculos în timpul utilizării.

Asigurați-vă că sunt aliniate corect. Puteți suferi vătămări corporale grave în timpul utilizării mașinii dacă pana de despicat nu este aliniată corect.

ATENȚIE: Nu executați NICIODATĂ reglaje în timp ce mașina este în funcțiune. Deconectați mașina înainte de a realiza orice reglaje.

ATENȚIE: Nu scoateți pana de despicat.

► **Fig.24:** 1. Apărătoria pânzei 2. Pană de despicat 3. Șurub

Poziția penei de despicat este reglată din fabrică, astfel încât pânza de ferăstrău și pana de despicat vor fi aliniate corect. Cu toate acestea, trebuie să reglați pana dacă pânza de ferăstrău și pana de despicat nu sunt aliniate corect. Slăbiți șurubul de pe inserția mesei și înlăturați-l de pe masa principală. Slăbiți șuruburile cu cap hexagonal (B) și reglați secțiunea de montare a apărătorii pânzei (suport), astfel încât pana de despicat să fie aliniată direct în spatele pânzei de ferăstrău. Apoi strângeți șuruburile cu cap hexagonal (B), pentru a fixa suportul și montați din nou inserția mesei.

► **Fig.25:** 1. Pânză 2. Aceste două distanțe ar trebui să fie egale. 3. Pană de despicat 4. Șuruburi cu cap hexagonal (B) 5. Șuruburi cu cap hexagonal (A)

Trebuie să existe o distanță de aproximativ 4 - 5 mm între pana de despicat și dinții pânzei. Slăbiți șuruburile cu cap hexagonal (A), reglați adecvat pana de despicat și strângeți ferm șuruburile cu cap hexagonal (A). Atașați inserția mesei pe masă cu ajutorul șurubului, apoi verificați dacă apărătoarea pânzei funcționează lin înainte de tăiere.

► **Fig.26:** 1. Pană de despicat 2. Apărătoria pânzei 3. Distanță de 4 mm - 5 mm

Montarea și reglarea ghidajului opritor

► **Fig.27:** 1. Cârlig 2. Buton rotativ 3. Șină de ghidare

1. Fixați cârligul pe vârful ghidajului opritor în șina de ghidare de pe masă sau de pe masa auxiliară (R) și montați și împingeți ghidajul opritor în față, astfel încât suportul opritorului să se cupleze cu șina de ghidare cea mai apropiată.

2. Pentru a glisa lateral ghidajul opritor pe șina de ghidare, readuceți complet butonul rotativ pe suportul opritorului fără a trage pârghia pe buton.

Pentru a fixa ferm ghidajul opritor, rotiți complet butonul rotativ pe suportul opritorului.

3. Pentru a scoate ghidajul opritor, trageți pârghia pe butonul rotativ și rotiți complet butonul rotativ în față în timp ce trageți pârghia.

Pentru a verifica dacă ghidajul opritor este paralel cu pânda de ferăstrău, fixați ferm ghidajul opritor la o distanță de 2 - 3 mm de pânda de ferăstrău. Ridicați pânda până la distanța maximă. Marcați unul dintre dinții pânzei cu un creion colorat. Măsurați distanțele (A) și (B) dintre ghidajul opritor și pânda de ferăstrău. Realizați ambele măsurători cu ajutorul dintelui marcat cu creionul colorat. Aceste două măsurători ar trebui să fie egale. Dacă ghidajul opritor nu este paralel cu pânda de ferăstrău, continuați în felul următor:

► **Fig.28:** 1. Scară

1. Poziționați ghidajul opritor în poziție de glisare.
2. Slăbiți cele două șuruburi cu cap hexagonal de pe ghidajul opritor cu cheia imbus furnizată.
► **Fig.29:** 1. Șuruburi cu cap hexagonal
3. Reglați ghidajul opritor până ce acesta devine paralel cu pânda de ferăstrău.
4. Rotiți în jos butonul rotativ de pe ghidajul opritor spre operator.
5. Strângeți cele două șuruburi cu cap hexagonal pe ghidajul opritor.

► **Fig.30**

ATENȚIE: Asigurați-vă că reglați ghidajul opritor astfel încât acesta să fie paralel cu pânda de ferăstrău. În caz contrar, se poate produce o reculare periculoasă.

Atunci când nu se poate fixa ferm ghidajul opritor, reglați-l respectând procedura următoare.

1. Montați ghidajul opritor pe masă și apoi rotiți butonul rotativ până la jumătate (poziția de mișcare). Strângeți șurubul (A) până ce ghidajul opritor este fixat. Apoi slăbiți cu o rotire de la 1/4 la 1/2.
► **Fig.31:** 1. Ghidaj opritor 2. Poziție eliberată 3. Poziție de mișcare 4. Poziție blocată
- **Fig.32:** 1. Ghidaj opritor 2. Poziție de mișcare 3. Șurub (B) 4. Șurub (A)

2. Strângeți complet șurubul (B) și apoi slăbiți cu ajutorul a 2 rotații complete.
3. Fixați ferm ghidajul opritor, rotind complet butonul rotativ pe suportul opritorului (poziția blocată).
4. Asigurați-vă că ghidajul opritor poate fi montat și demontat în poziția inițială (poziția eliberată).
5. Asigurați-vă că ghidajul opritor poate fi glisat lin, fără oscilații, atunci când butonul rotativ este rotit doar pe jumătate.

NOTĂ: Aveți grijă să nu strângeți șuruburile mai mult decât este specificat în instrucțiunile anterioare. În caz contrar, piesele fixate se pot deteriora.

Așezați ghidajul opritor lipit de partea laterală a pânzei de ferăstrău. Asigurați-vă că linia indicatoare a suportului opritorului indică gradația 0. Dacă linia indicatoare nu indică gradația 0, slăbiți șurubul de pe placa gradată și reglați-o.

► **Fig.33:** 1. Linie indicatoare 2. Șuruburi

Conectarea la aspirator

Procedurile de curățare pot fi efectuate prin conectarea mașinii la aspiratorul sau colectorul de praf Makita.

► **Fig.34**

OPERAREA

ATENȚIE: Utilizați întotdeauna „dispozitive ajutătoare”, precum tije de împingere sau blocuri de împingere, atunci când există pericolul ca mâinile sau degetele dvs. să ajungă în pânda de ferăstrău.

ATENȚIE: Țineți întotdeauna ferm piesa de prelucrat cu ajutorul mesei și a ghidajului opritor sau a calibrului de tăiere oblică. Nu îndoiți sau răsuciți piesa de prelucrat în timpul alimentării. Dacă piesa de prelucrat este îndoită sau răsucită, se pot produce reculări periculoase.

ATENȚIE: Nu retraceți NICIODATĂ piesa de prelucrat în timp ce pânda de ferăstrău funcționează. Dacă trebuie să retraceți piesa de prelucrat înainte de a finaliza tăierea, opriți mai întâi mașina ținând ferm piesa de prelucrat. Așteptați până ce pânda de ferăstrău se oprește complet înainte de a retrage piesa de prelucrat. În caz contrar, există pericolul de reculare.

ATENȚIE: Nu scoateți NICIODATĂ piesele de material tăiat în timp ce pânda de ferăstrău funcționează.

ATENȚIE: Nu țineți NICIODATĂ degetele sau mâinile în calea pânzei de ferăstrău. Fiți foarte atenți în cazul tăierilor înclinate.

ATENȚIE: Fixați întotdeauna ferm ghidajul opritor, în caz contrar existând pericolul de reculare.

ATENȚIE: Utilizați întotdeauna „dispozitive ajutătoare”, precum tije de împingere și blocuri de împingere, atunci când tăiați piese de prelucrat mici sau înguste.

Dispozitive ajutătoare

Tijele de împingere, blocurile de împingere sau opritorul auxiliar sunt tipuri de „dispozitive ajutătoare”. Utilizați-le pentru a executa tăieri sigure, precise, fără ca operatorul să intre cu vreo parte a corpului în contact cu pânda de ferăstrău.

Bloc de împingere

► **Fig.35:** 1. Suprafață/margine paralelă 2. Mâner 3. Șurub pentru lemn 4. Lipite

Utilizați o piesă din furnir de 19 mm. Mânerul ar trebui să se afle în centrul piesei din furnir. Fixați cu lipici și șuruburi pentru lemn, astfel cum este prezentat. Piesa mică din lemn de 9,5 mm x 8 mm x 50 mm trebuie să fie întotdeauna lipită de furnir pentru ca pânda de ferăstrău să nu e tocească în cazul în care operatorul taie accidental blocul de împingere. (Nu utilizați niciodată cuie pentru blocul de împingere.)

Ghidaj opritor auxiliar

► Fig.36: 1. Suprafață/margine paralelă

Realizați opritorul auxiliar din furnir de 9,5 mm și 19 mm.

Tăierea

ATENȚIE: Atunci când tăiați, îndepărtați calibrul de tăiere oblică de pe masă.

ATENȚIE: Atunci când tăiați piese de prelucrat lungi sau late, asigurați întotdeauna suportul adecvat în spatele mesei. **NU** permiteți unei plăci lungi să se miște sau să se deplaseze pe masă. Acest lucru va duce la blocarea pânzei de ferăstrău și va crește posibilitatea de reculare și vătămări corporale. Suportul ar trebui să se afle la aceeași înălțime ca și masa.

ATENȚIE: Nu executați tăieri înclinate pe partea înclinată a pânzei de ferăstrău.

1. Reglați adâncimea de tăiere puțin mai sus față de grosimea piesei de prelucrat.

► Fig.37

2. Poziționați ghidajul opritor la adâncimea dorită de tăiere și blocați-l prin rotirea butonului rotativ. Înainte de tăiere, asigurați-vă că ați fixat ferm capătul din spate al ghidajului opritor. Dacă acesta nu este suficient de strâns, urmați procedurile din secțiunea intitulată „Montarea și reglarea ghidajului opritor”.

3. Porniți mașina și așezați ușor piesa de prelucrat în pânza de ferăstrău de-a lungul ghidajului opritor.

Atunci când lățimea ghidajului opritor este de 150 mm sau mai mare, folosiți-vă cu atenție mâna dreaptă pentru a așeza piesa de prelucrat. Folosiți-vă mâna stângă pentru a ține piesa de prelucrat în poziție spre ghidajul opritor.

► Fig.38

Atunci când lățimea ghidajului opritor este între 65 mm și 150 mm, folosiți tija de împingere pentru a așeza piesa de prelucrat.

► Fig.39: 1. Tijă de împingere

Atunci când lățimea ghidajului opritor este mai mică de 65 mm, tija de împingere nu poate fi utilizată pentru că aceasta va lovi apărătoarea pânzei. Utilizați opritorul auxiliar și blocul de împingere. Atașați opritorul auxiliar la ghidajul opritor cu cele două dispozitive de strângere „C”.

Așezați piesa de prelucrat cu mâna până când capătul se află la aproximativ 25 mm de marginea frontală a mesei.

► Fig.40

Continuați așezarea folosind blocul de împingere pe partea superioară a opritorului auxiliar până ce finalizați tăierea.

► Fig.41: 1. Bloc de împingere 2. Ghidaj opritor auxiliar

Tăiere transversală

ATENȚIE: Atunci când executați o tăiere transversală, scoateți ghidajul opritor de pe masă.

ATENȚIE: Atunci când tăiați piese de prelucrat lungi sau late, asigurați întotdeauna suportul adecvat pe părțile laterale ale mesei. Suportul ar trebui să se afle la aceeași înălțime ca și masa.

ATENȚIE: Păstrați-vă întotdeauna mâinile departe de calea pânzei.

Calibrul de tăiere oblică

► Fig.42: 1. Tăiere transversală 2. Tăiere oblică 3. Tăiere înclinată 4. Tăiere oblică combinată (unghiuri)

Utilizați calibrul de tăiere oblică pentru cele 4 tipuri de tăiere prezentate în imagine.

ATENȚIE: Fixați cu atenție butonul rotativ de pe calibrul de tăiere oblică.

ATENȚIE: Evitați deformarea piesei de prelucrat și a calibrului prin ținerea fermă a ansamblului, în special atunci când tăiați la un anumit unghi.

ATENȚIE: Nu țineți și nu prindeți NICIODATĂ de partea „tăiată” a piesei de prelucrat.

ATENȚIE: Reglați întotdeauna distanța dintre capătul calibrului de tăiere oblică și pânza de ferăstrău, pentru a nu depăși 15 mm.

Oprire pozitivă pentru calibrul de tăiere oblică

► Fig.43: 1. Șurub pentru oprire pozitivă 2. Plăcuță 3. Buton rotativ

Calibrul de tăiere oblică este prevăzut cu opriri pozitive la unghiurile de tăiere oblică de 90°, 45°, în partea dreaptă și stângă, pentru setarea rapidă a acestora. Pentru a seta un unghi de tăiere oblică, slăbiți butonul rotativ de pe calibrul de tăiere oblică.

Ridicați plăcuța de pe calibrul de tăiere oblică pentru setare liberă. Rotiți calibrul de tăiere oblică la unghiul dorit de tăiere oblică. Readuceți plăcuța pe calibrul de tăiere oblică la poziția inițială și strângeți ferm butonul rotativ spre dreapta.

Utilizarea calibrului de tăiere oblică

► Fig.44: 1. Canelură 2. Calibrul de tăiere oblică 3. Buton rotativ

Glisați calibrul de tăiere oblică în canelurile groase din masă. Slăbiți butonul rotativ de pe calibrul și aliniați la unghiul dorit (de la 0° la 60°). Aduceți piesa lipită de ghidajul opritor și așezați-o încet spre pânza de ferăstrău.

Calibrul auxiliar (calibrul de tăiere oblică)

► Fig.45: 1. Calibrul auxiliar

Calibrul auxiliar de pe calibrul de tăiere oblică previne deplasarea piesei de prelucrat. Slăbiți șurubul de pe calibrul de tăiere oblică și reglați poziția calibrului auxiliar.

Transportarea mașinii

► Fig.46

Asigurați-vă că mașina este deconectată de la sursa de alimentare.

Transportați mașina, ținând-o de partea prezentată în imagine.

⚠ATENȚIE: Întotdeauna fixați toate piesele mobile înainte de a transporta mașina.

⚠ATENȚIE: Înainte de a transporta mașina, asigurați-vă că apărătoarea pânzei și apărătoarea auxiliară sunt jos și marginea inferioară a apărătoarii auxiliare intră în contact cu masa principală.

ÎNȚEȚINERE

⚠ATENȚIE: Asigurați-vă că ați oprit mașina și că ați deconectat-o de la rețea înainte de a efectua operațiuni de inspecție sau întreținere.

NOTĂ: Nu utilizați niciodată gazolină, benzină, diluant, alcool sau alte substanțe asemănătoare. În caz contrar, pot rezulta decolorări, deformări sau fisuri.

Curățarea

Curățați rumegușul și așchile în mod regulat. Curățați cu grijă apărătoarea pânzei și piesele mobile din interiorul ferăstrăului de masă.

Atunci când scoateți rumegușul acumulat sub pânza de ferăstrău, scoateți inserția mesei și utilizați o suflantă pentru a sufla rumegușul din conectorul pentru aspirator.

Lubrifierea

Pentru a menține ferăstrăul de masă în stare bună de funcționare și pentru a asigura o durată de funcționare îndelungată, lubrifiați periodic cu ulei sau cu vaselină piesele mobile și piesele rotative.

Spații care trebuie lubrifiate:

- Arborele filetat care ridică pânzei de ferăstrău
- Balamaua pentru rotirea cadrului
- Arborii de ghidare pentru ridicare de pe motor
- Angrenajul pentru ridicarea pânzei de ferăstrău
- Șinele de ghidare pentru ghidajul opritor
- Arborele pârghiilor de blocare ale mesei auxiliare (R)
- Piesa glisantă a mesei auxiliare (R)

Înlocuirea periilor de cărbune

Verificați periile de cărbune în mod regulat.

Înlocuiți-le atunci când s-au uzat până la marcajul limită. Periile de cărbune trebuie să fie în permanență curate și să alunece ușor în suporturi. Ambele perii de cărbune trebuie înlocuite simultan. Folosiți numai perii de cărbune identice.

► Fig.47: 1. Marcaj limită

1. Depozitați masa auxiliară (R). Scoateți ghidajul opritor dacă este depozitat.

2. Slăbiți pârghia de blocare și rotiți roata până ce capul ferăstrăului este înclinat la un unghi de înclinație de 45°. După aceea, strângeți pârghia de blocare.

► Fig.48: 1. Ghidaj opritor 2. Pârghie de blocare 3. Roată

3. Țineți mașina de partea dreaptă a acesteia.

► Fig.49

4. Slăbiți șuruburile de pe placa suport și scoateți-o.

5. Slăbiți capacele suportului pentru perii, folosind o șurubelniță și scoateți periile de cărbune uzate.

► Fig.50: 1. Placa din spate 2. Capacul suportului pentru perii 3. Șurubelniță

6. Introduceți noile perii de cărbune și fixați capacele suportului pentru perii.

7. Montați placa din spate cu șuruburi și așezați cu grijă mașina pe suportul său. Depozitați ghidajul opritor dacă a fost scos.

Pentru a menține SIGURANȚA și FIABILITATEA produsului, reparațiile și orice alte lucrări de întreținere sau reglare trebuie executate de centre de service Makita autorizate sau proprii, folosind întotdeauna piese de schimb Makita.

ACCESORII OPȚIONALE

⚠ATENȚIE: Folosiți accesoriile sau piesele auxiliare recomandate pentru mașina dumneavoastră Makita în acest manual. Utilizarea oricărui alte accesorii sau piese auxiliare poate prezenta risc de vătămare corporală. Utilizați accesoriile și piesele auxiliare numai în scopul destinat.

Dacă aveți nevoie de asistență sau de mai multe detalii referitoare la aceste accesorii, adresați-vă centrului local de service Makita.

- Pânze de ferăstrău cu plăcuțe de oțel și carburi metalice
- Masă auxiliară (L)
- Masă auxiliară (spate)
- Ghidaj opritor
- Calibru de tăiere oblică
- Cheie cotită de 13-22
- Cheie de 19
- Cheie imbus de 5
- Articulație (pentru conectarea colectorului de praf)
- Ansamblul stativului mesei

Consultați manualul de instrucțiuni pentru stativul ferăstrăului de masă care este furnizat împreună cu stativul ferăstrăului de masă ca accesoriu opțional.

NOTĂ: Unele articole din listă pot fi incluse ca accesorii standard în ambalajul de scule. Acestea pot diferi în funcție de țară.

TECHNISCHE DATEN

Modell:		2704N
Spindelbohrung (Länderspezifisch)		30 mm / 25,4 mm
Sägeblattdurchmesser		260 mm
Max. Schnittleistung	Neigung 0°	93 mm
	Neigung 45°	64 mm
Leerlaufdrehzahl		5.200 min ⁻¹
Tischgröße (L x B)	mit Zusatztischen (R) und (Rückseite)	1.045 mm x 1.066 mm (Tische ausgefahren) 665 mm x 753 mm (Tische verstaut)
	mit Zusatztisch (R) ohne Zusatztisch (Rückseite)	567 mm x 1.066 mm (Tisch ausgefahren) 567 mm x 753 mm (Tisch verstaut)
Abmessungen (L x B x H) Tisch(e) nicht ausgefahren	mit Zusatztischen (R) und (Rückseite)	715 mm x 753 mm x 483 mm
	mit Zusatztisch (R) ohne Zusatztisch (Rückseite)	665 mm x 753 mm x 483 mm
Nettogewicht		35,2 kg - 37,0 kg
Sicherheitsklasse		□/II

- Wir behalten uns vor, Änderungen der technischen Daten im Zuge der Entwicklung und des technischen Fortschritts ohne vorherige Ankündigung vorzunehmen.
- Die technischen Daten können von Land zu Land unterschiedlich sein.
- Das Gewicht kann abhängig von den Aufsätzen unterschiedlich sein. Die leichteste und die schwerste Kombination, gemäß dem EPTA-Verfahren 01/2014, sind in der Tabelle angegeben.

Symbole

Nachfolgend werden die für das Gerät verwendeten Symbole beschrieben. Machen Sie sich vor der Benutzung mit ihrer Bedeutung vertraut.



Betriebsanleitung lesen.



DOPPELTE ISOLIERUNG



Schutzbrille tragen.



Halten Sie Hände oder Finger vom Sägeblatt fern.



Nur für EU-Länder
Werfen Sie Elektrogeräte nicht in den Hausmüll! Unter Einhaltung der Europäischen Richtlinie über Elektro- und Elektronik-Altgeräte und ihrer Umsetzung gemäß den Landesgesetzen müssen Elektrogeräte, die das Ende ihrer Lebensdauer erreicht haben, getrennt gesammelt und einer umweltgerechten Recycling-Einrichtung zugeführt werden.

Vorgesehene Verwendung

Das Werkzeug ist für das Schneiden von Holz vorgesehen.

Geradschnitte, Neigungsschnitte und Gehrungsschnitte sind mit diesem Werkzeug ausführbar. Dieses Werkzeug ist nicht für Unterflurschnitte ausgelegt.

Stromversorgung

Das Werkzeug sollte nur an eine Stromquelle angeschlossen werden, deren Spannung mit der Angabe auf dem Typenschild übereinstimmt, und kann nur mit Einphasen-Wechselstrom betrieben werden. Diese sind doppelt schutzisoliert und können daher auch an Steckdosen ohne Erdleiter verwendet werden.

Geräusch

Typischer A-bewerteter Geräuschpegel ermittelt gemäß EN62841:

Schalldruckpegel (L_{pA}): 94 dB (A)

Schalleistungspegel (L_{WA}): 107 dB (A)

Messunsicherheit (K): 3 dB (A)

⚠️ WARNUNG: Einen Gehörschutz tragen.

EG-Konformitätserklärung

Nur für europäische Länder

Die EG-Konformitätserklärung ist als Anhang A in dieser Bedienungsanleitung enthalten.

SICHERHEITSWARNUNGEN

Allgemeine Sicherheitswarnungen für Elektrowerkzeuge

⚠️ WARNUNG: Lesen Sie alle mit diesem Elektrowerkzeug gelieferten Sicherheitswarnungen, Anweisungen, Abbildungen und technischen Daten durch. Eine Missachtung der unten aufgeführten Anweisungen kann zu einem elektrischen Schlag, Brand und/oder schweren Verletzungen führen.

Bewahren Sie alle Warnungen und Anweisungen für spätere Bezugnahme auf.

Der Ausdruck „Elektrowerkzeug“ in den Warnhinweisen bezieht sich auf Ihr mit Netzstrom (mit Kabel) oder Akku (ohne Kabel) betriebenes Elektrowerkzeug.

Sicherheitsanweisungen für Tischkreissägen

Auf Schutzvorrichtungen bezogene Warnungen

1. **Unterlassen Sie das Abmontieren von Schutzvorrichtungen.** Schutzvorrichtungen müssen **betriebsfähig und ordnungsgemäß montiert sein.** Eine lockere, beschädigte oder nicht korrekt funktionierende Schutzvorrichtung muss repariert oder ausgetauscht werden.
2. **Vergewissern Sie sich vor dem Einschalten des Werkzeugs, dass das Sägeblatt nicht die Schutzvorrichtung, den Spaltkeil oder das Werkstück berührt.** Unbeabsichtigter Kontakt dieser Gegenstände mit dem Sägeblatt könnte einen gefährlichen Zustand herbeiführen.
3. **Stellen Sie den Spaltkeil gemäß der Beschreibung in dieser Betriebsanleitung ein.** Falscher Abstand sowie falsche Positionierung und Ausrichtung können die Rückschlagverhütungsfunktion des Spaltkeils unwirksam machen.
4. **Damit der Spaltkeil und die Rückschlagsicherungsklauen ihre Aufgabe erfüllen, müssen sie in das Werkstück eingreifen.** Der Spaltkeil und die Rückschlagsicherungsklauen sind unwirksam, wenn Werkstücke geschnitten werden, die zu kurz sind, um von dem Spaltkeil und den Rückschlagsicherungsklauen erfasst zu werden. Unter diesen Bedingungen kann Rückschlag nicht durch den Spaltkeil und die Rückschlagsicherungsklauen verhindert werden.
5. **Verwenden Sie ein geeignetes Sägeblatt für den Spaltkeil.** Damit der Spaltkeil seine Aufgabe erfüllen kann, muss der Sägeblattdurchmesser auf den geeigneten Spaltkeil abgestimmt sein, der Sägeblattkörper muss dünner als die Dicke des Spaltkeils sein, und die Schnittbreite des Sägeblatts muss breiter als die Dicke des Spaltkeils sein.

Warnungen für Schneidverfahren

1. **⚠️ GEFAHR:** Halten Sie niemals Ihre Finger oder Hände in die Nähe oder in einer Linie mit dem Sägeblatt. Ein Augenblick der Unachtsamkeit oder ein Ausrutscher könnte Ihre Hand in Richtung des Sägeblatts führen und zu schweren Personenschäden führen.

2. **Schieben Sie das Werkstück nur entgegen der Drehrichtung in das Sägeblatt hinein.** Wird das Werkstück in dieselbe Richtung geschoben, in der sich das Sägeblatt über dem Tisch dreht, besteht die Gefahr, dass das Werkstück und Ihre Hand in das Sägeblatt hineingezogen werden.
3. **Verwenden Sie beim Längssägen niemals den Gehrungsanschlag zum Vorschieben des Werkstücks, und verwenden Sie den Parallelanschlag nicht als Längenanschlag, wenn Sie Querschnitte mit dem Gehrungsanschlag durchführen.** Führen des Werkstücks mit Parallelanschlag und Gehrungsanschlag gleichzeitig erhöht die Wahrscheinlichkeit von Klemmen des Sägeblatts und Rückschlag.
4. **Setzen Sie beim Längssägen die Werkstück-Vorschubkraft immer zwischen Anschlag und Sägeblatt an. Verwenden Sie einen Schiebestock, wenn der Abstand zwischen Anschlag und Sägeblatt kleiner als 150 mm ist, und einen Schiebeklotz, wenn dieser Abstand kleiner als 50 mm ist.** „Arbeitshilfe“-Vorrichtungen halten Ihre Hand in sicherem Abstand vom Sägeblatt.
5. **Verwenden Sie nur den vom Hersteller mitgelieferten Schiebestock, oder einen, der im Einklang mit den Anweisungen konstruiert wurde.** Dieser Schiebestock hält die Hand in ausreichendem Abstand vom Sägeblatt.
6. **Verwenden Sie niemals einen beschädigten oder angeschnittenen Schiebestock.** Ein beschädigter Schiebestock kann brechen, so dass Ihre Hand in das Sägeblatt rutschen kann.
7. **Führen Sie keine „freihändigen“ Arbeiten aus. Verwenden Sie immer entweder den Parallelanschlag oder den Gehrungsanschlag zum Positionieren und Führen des Werkstücks.** Mit „freihändig“ ist die Verwendung nur der Hände anstelle eines Parallelanschlags oder Gehrungsanschlags zum Halten oder Führen des Werkstücks gemeint. Freihändiges Sägen führt zu Fehlaurichtung, Klemmen und Rückschlag.
8. **Strecken Sie Ihre Hand niemals um oder über ein rotierendes Sägeblatt aus.** Greifen nach einem Werkstück kann zu versehentlichem Kontakt mit dem rotierenden Sägeblatt führen.
9. **Sorgen Sie für zusätzliche Werkstückauflage auf der Rückseite und/oder den Seiten des Sägebisses für lange und/oder breite Werkstücke, um sie waagrecht zu halten.** Ein langes und/oder breites Werkstück neigt dazu, auf der Tischkante zu kippen, was zu Verlust der Kontrolle, Klemmen des Sägeblatts und Rückschlag führt.
10. **Schieben Sie das Werkstück mit gleichmäßiger Geschwindigkeit vor. Unterlassen Sie Biegen oder Verdrehen des Werkstücks. Falls eine Blockierung auftritt, schalten Sie das Werkzeug unverzüglich aus, ziehen Sie den Netzstecker ab, und beseitigen Sie dann die Blockierung.** Blockieren des Sägeblatts durch das Werkstück kann Rückschlag oder Abwürgen des Motors verursachen.

11. **Entfernen Sie Stücke von abgesägtem Material nicht, während die Säge läuft.** Das Material kann zwischen dem Anschlag und dem Sägeblatt oder der Innenseite der Sägeblattschutzhaube eingeklemmt werden und Ihre Finger in das Sägeblatt hineinziehen. Schalten Sie die Säge aus, und warten Sie, bis das Sägeblatt zum Stillstand kommt, bevor Sie Material entfernen.
12. **Verwenden Sie einen Hilfsanschlag in Kontakt mit der Tischplatte, wenn Sie Werkstücke von weniger als 2 mm Dicke längs sägen.** Ein dünnes Werkstück kann sich unter dem Parallelanschlag verkeilen und einen Rückschlag erzeugen.
7. **Lassen Sie besondere Vorsicht walten, wenn Sie ein Werkstück schneiden, das verdreht, verästelt oder verzogen ist oder keine gerade Kante hat, um es mit einem Gehrungsanschlag oder entlang dem Anschlag zu führen.** Ein verzogenes, verästeltes oder verdrehtes Werkstück ist instabil und verursacht Fehlausrichtung der Schnittfuge mit dem Sägeblatt, Klemmen und Rückschlag.
8. **Schneiden Sie niemals mehrere Werkstücke, die vertikal oder horizontal gestapelt sind.** Das Sägeblatt könnte ein oder mehrere Stücke aufnehmen und Rückschlag verursachen.
9. **Wenn Sie die Säge mit dem Sägeblatt im Werkstück wieder einschalten, zentrieren Sie das Sägeblatt im Sägeschlitz, und vergewissern Sie sich, dass die Sägezähne nicht mit dem Werkstück im Eingriff sind.** Falls das Sägeblatt klemmt, kann es das Werkstück beim Wiedereinschalten der Säge anheben und Rückschlag verursachen.

Rückschlagsursachen und damit zusammenhängende Warnungen

Rückschlag ist eine plötzliche Reaktion des Werkstücks aufgrund eines eingeklemmten, blockierten Sägeblatts oder einer falsch ausgerichteten Schnittlinie im Werkstück in Bezug auf das Sägeblatt, oder wenn ein Teil des Werkstücks zwischen dem Sägeblatt und dem Parallelanschlag oder einem anderen feststehenden Objekt eingeklemmt wird.

Am häufigsten wird das Werkstück bei einem Rückschlag durch den hinteren Teil des Sägeblatts vom Tisch angehoben und auf den Bediener zu geschleudert.

Rückschlag ist das Resultat falscher Handhabung der Säge und/oder falscher Arbeitsverfahren oder -bedingungen und kann durch Anwendung der nachstehenden Vorsichtsmaßnahmen vermieden werden.

1. **Stehen Sie niemals direkt in einer Linie mit dem Sägeblatt. Positionieren Sie Ihren Körper immer auf der selben Seite des Sägeblatts wie der Anschlag.** Durch Rückschlag kann das Werkstück mit hoher Geschwindigkeit gegen eine Person geschleudert werden, die vor dem Sägeblatt oder in einer Linie mit dem Sägeblatt steht.
2. **Strecken Sie Ihre Hand niemals über das Sägeblatt oder zur Rückseite des Sägeblatts aus, um das Werkstück zu ziehen oder abzustützen.** Es kann zu versehentlichem Kontakt mit dem Sägeblatt kommen, oder durch Rückschlag können Ihre Finger in das Sägeblatt hineingezogen werden.
3. **Versuchen Sie niemals, das abgeschnittene Werkstück gegen das rotierende Sägeblatt zu halten und zu drücken.** Wird das abgeschnittene Werkstück gegen das Sägeblatt gedrückt, entsteht ein Klemmzustand und Rückschlag.
4. **Richten Sie den Anschlag parallel zum Sägeblatt aus.** Ein falsch ausgerichteter Anschlag klemmt das Werkstück gegen das Sägeblatt und erzeugt Rückschlag.
5. **Lassen Sie besondere Vorsicht walten, wenn Sie einen Schnitt in blinde Bereiche von zusammengebauten Werkstücken machen.** Das vorstehende Sägeblatt kann Objekte durchschneiden, die Rückschlag verursachen können.
6. **Stützen Sie große Platten ab, um die Gefahr von Klemmen und Rückschlagen des Sägeblatts auf ein Minimum zu reduzieren.** Große Platten neigen dazu, unter ihrem Eigengewicht durchzuhängen. Stützen müssen unter alle von der Tischplatte überhängende Teile der Platte platziert werden.

10. **Halten Sie Sägeblätter sauber, scharf und mit ausreichender Eindringtiefe. Verwenden Sie niemals verzogene Sägeblätter oder Sägeblätter mit gerissenen oder gebrochenen Zähnen.** Scharfe und ordnungsgemäß eingestellte Sägeblätter minimieren Klemmen, Abwürgen und Rückschlag.

Warnungen für Tischkreissägen-Betriebsverfahren

1. **Schalten Sie die Tischkreissäge aus, und ziehen Sie das Netzkabel ab, wenn Sie den Tischplatteneinsatz entfernen, das Sägeblatt wechseln oder Einstellungen an Spaltkeil, Rückschlagsicherungsklauen oder Sägeblattschutzhaube vornehmen, und wenn Sie die Maschine unbeaufsichtigt lassen.** Vorsichtsmaßnahmen helfen Unfälle zu vermeiden.
2. **Lassen Sie die Tischkreissäge niemals unbeaufsichtigt laufen. Schalten Sie das Werkzeug aus, und verlassen Sie es erst, nachdem es zu einem vollständigen Stillstand gekommen ist.** Eine unbeaufsichtigt laufende Säge ist eine unkontrollierte Gefahrenquelle.
3. **Stellen Sie die Tischkreissäge an einem gut beleuchteten und ebenen Platz auf, der einen sicheren Stand und gutes Gleichgewicht gewährleistet. Sie sollte in einem Bereich installiert werden, der genügend Raum bietet, um die Größe Ihres Werkstücks bequem zu handhaben.** Beengte, dunkle Bereiche und unebene, rutschige Böden führen zu Unfällen.
4. **Säubern Sie den Bereich unter dem Sägertisch und/oder den Staubsammler häufig von Sägemehl.** Angesammeltes Sägemehl ist entflammbar und kann sich selbst entzünden.
5. **Die Tischkreissäge muss gesichert werden.** Ein Tischkreissäge, die nicht ordnungsgemäß gesichert ist, kann sich verschieben oder umkippen.
6. **Entfernen Sie Werkzeuge, Holzbalfälle usw. vom Tisch, bevor Sie die Tischkreissäge einschalten.** Ablenkung oder eine potenzielle Blockierung können gefährlich sein.
7. **Verwenden Sie stets Sägeblätter, deren Spindelbohrung die korrekte Größe und Form (rautenförmig oder rund) hat.** Sägeblätter, die nicht genau auf den Montageflansch der Säge passen, rotieren exzentrisch und verursachen Verlust der Kontrolle.

8. **Verwenden Sie niemals beschädigte oder falsche Sägeblatt-Befestigungsmittel, wie Flansche, Sägeblatt-Beilagscheiben, Schrauben oder Muttern.** Diese Befestigungsmittel sind speziell für Ihre Säge vorgesehen, um sicheren Betrieb und optimale Leistung zu gewährleisten.
9. **Stellen Sie sich niemals auf die Tischkreissäge, und verwenden Sie sie auch nicht als Trittschemel.** Durch Kippen des Werkzeugs oder versehentliche Berührung mit dem Schneidwerkzeug könnten ernsthafte Verletzungen auftreten.
10. **Stellen Sie sicher, dass das Sägeblatt in der korrekten Drehrichtung installiert wird. Verwenden Sie keine Schleifscheiben oder Drahtbürsten an einer Tischkreissäge.** Unschonungsmäßige Sägeblatt-Installation oder der Gebrauch von nicht empfohlenen Zubehörteilen kann schwere Verletzungen verursachen.

Zusätzliche Anweisungen

1. **Verwenden Sie nur Sägeblätter, die mit einer Drehzahl markiert sind, die der am Werkzeug angegebenen Drehzahl entspricht oder diese übertrifft.**
2. **Wählen Sie das korrekte Sägeblatt für das zu schneidende Material aus.**
3. **Tragen Sie Handschuhe bei der Handhabung von Sägeblättern.**
4. **Reinigen Sie die Spindel, die Flansche (besonders die Montagefläche) und die Sechskantmutter, bevor Sie das Sägeblatt montieren.** Schlechte Montage kann Vibrieren/Flattern oder Schlupf des Sägeblatts verursachen.
5. **Schneiden Sie keine Metallgegenstände, wie z. B. Nägel oder Schrauben.** Untersuchen Sie das Werkstück sorgfältig auf Nägel, Schrauben und sonstige Fremdkörper, und entfernen Sie diese vor der Bearbeitung.
6. **Erlauben Sie NIEMALS einer anderen Person, auf einer Linie mit dem Pfad des Sägeblatts zu stehen.**
7. **Lassen Sie das Werkzeug vor dem eigentlichen Schneiden eines Werkstücks eine Weile laufen. Achten Sie auf Vibrationen oder Taumelbewegungen, die Anzeichen für schlechte Montage oder ein schlecht ausgewuchtetes Sägeblatt sein können.**
8. **Das Werkzeug darf nicht für Nutenfräsen, Falzfräsen oder Auskehlen verwendet werden.**
9. **Tauschen Sie den Tischplatteneinsatz bei Verschleiß aus.**
10. **Bewahren Sie den Schiebstock stets sicher auf, wenn er nicht benutzt wird.**
11. **Schlagen Sie etwaige lose Knorren aus dem Werkstück heraus, BEVOR Sie mit dem Sägen beginnen.**
12. **Bei manchen Werkstoffen kann der beim Sägen erzeugte Staub Chemikalien enthalten, die erwiesenermaßen Krebs, Geburtsfehler oder Schäden an Fortpflanzungsorganen verursachen. Einige Beispiele solcher Chemikalien sind:**
 - **Blei in Lack mit Bleizusatz und,**
 - **Arsen und Chrom in chemisch behandeltem Bauholz.**

Ihre Gefährdung durch den Umgang mit solchen Chemikalien hängt davon ab, wie oft Sie diese Arbeiten verrichten. Um Ihre Gefährdung durch diese Chemikalien zu reduzieren: Arbeiten Sie in gut belüfteter Umgebung, und verwenden Sie geprüfte Sicherheitsvorrichtungen, wie z. B. Staubmasken, die mikroskopische Teilchen herausfiltern.

13. **Vergewissern Sie sich stets, dass die Zusatzschutzhülle flach gegen den Säge Tisch heruntergeklappt ist, bevor Sie das Werkzeug ans Stromnetz anschließen.**
14. **Überprüfen Sie Verlängerungskabel regelmäßig, und tauschen Sie sie bei Beschädigung aus.**
15. **(Nur für europäische Länder) Verwenden Sie nur vom Hersteller empfohlene Sägeblätter, die der EU-Norm EN847-1 entsprechen.**

INSTALLATION

Positionierung der Tischkreissäge

- **Abb.1:** 1. Lochdurchmesser 8 mm
- **Abb.2:** 1. 6-mm-Std.-Unterlegscheibe 2. Nr. 10 Holzschraube, 40 mm min. Länge
- **Abb.3:** 1. 6-mm-Std.-Unterlegscheibe 2. 6-mm-Befestigungsschraube und Mutter fest anziehen

Stellen Sie die Tischkreissäge an einem gut beleuchteten und ebenen Platz auf, der einen sicheren Stand und gutes Gleichgewicht gewährleistet. Sie sollte in einem Bereich installiert werden, der genügend Raum bietet, um die Größe Ihrer Werkstücke bequem zu handhaben. Die Tischkreissäge ist mit vier Schrauben oder Bolzen an der Werkbank oder dem Tischkreissägenständer unter Verwendung der Löcher in der Unterseite der Tischkreissäge zu sichern. Wenn Sie die Tischkreissäge auf der Werkbank sichern, vergewissern Sie sich, dass eine Öffnung in der Oberseite der Werkbank vorhanden ist, welche die gleiche Größe wie die Öffnung in der Unterseite der Tischkreissäge hat, damit das Sägemehl hindurchfallen kann. Sollte die Tischkreissäge während des Betriebs eine Neigung zum Umkippen, Verrutschen oder Bewegungen zeigen, ist die Werkbank oder der Tischkreissägenständer am Boden zu sichern.

Aufbewahren von Zubehör

- **Abb.4:** 1. Gehrungsanschlag
- **Abb.5:** 1. Parallelanschlag 2. Schiebstock 3. Rückschlagsicherungsklaue

Der Gehrungsanschlag, das Sägeblatt und Schraubenschlüssel können auf der linken Seite der Basis aufbewahrt werden. Außerdem können der Parallelanschlag, der Schiebstock und die Rückschlagsicherungsklaue auf der rechten Seite der Basis aufbewahrt werden.

FUNKTIONSBESCHREIBUNG

⚠ VORSICHT: Vergewissern Sie sich vor jeder Einstellung oder Funktionsprüfung des Werkzeugs stets, dass es ausgeschaltet und vom Stromnetz getrennt ist.

Sägeblattschutzhaube

⚠ WARNUNG: Die Sägeblattschutzhaube darf auf keinen Fall funktionsunfähig gemacht oder entfernt werden. Ein wegen fehlender Schutzhaube freiliegendes Sägeblatt kann schwere Verletzungen während des Betriebs verursachen.

⚠ WARNUNG: Benutzen Sie das Werkzeug niemals mit beschädigter, defekter oder fehlender Sägeblattschutzhaube. Der Betrieb des Werkzeugs mit beschädigter, defekter oder entfernter Schutzhaube kann zu schweren Personenschäden führen.

- **Abb.6:** 1. Sägeblattschutzhaube
2. Zusatzschutzhaube

Schieben Sie das Werkstück beim Schneiden auf das Sägeblatt zu, während die Unterkante der Zusatzschutzhaube den Haupttisch berührt. Wenn das Werkstück vorgeschoben wird, gehen die Sägeblattschutzhaube und die Zusatzschutzhaube über die Kante des Werkstücks.

Im Interesse Ihrer eigenen Sicherheit sollten Sie die Sägeblattschutzhaube und die Zusatzschutzhaube stets in gutem Zustand halten. Funktionsstörungen der Sägeblattschutzhaube und Zusatzschutzhaube müssen sofort behoben werden. Vergewissern Sie sich, dass die Sägeblattschutzhaube und die Zusatzschutzhaube abgesenkt sind, und dass die Unterkante der Zusatzschutzhaube den Haupttisch berührt, wenn das Werkstück nicht vorgeschoben wird.

Wenn die transparenten Teile schmutzig werden oder so viel Sägemehl an ihnen haftet, dass das Sägeblatt und/oder Werkstück nicht mehr ohne weiteres sichtbar ist, sollten Sie das Werkzeug vom Stromnetz trennen und die transparenten Teile mit einem feuchten Tuch sorgfältig reinigen. Verwenden Sie keine Lösungsmittel oder Reinigungsmittel auf Petroleumbasis, weil die Teile dadurch beschädigt werden können. Falls sich die transparenten Teile durch Alterung oder UV-Strahlung verfärben, bestellen Sie neue Teile bei einer Makita-Kundendienststelle. SÄGEBLATTSCHUTZHAUBE UND ZUSATZSCHUTZHAUBE DÜRFEN NICHT FUNKTIONSNUNFÄHIG GEMACHT ODER ENTFERNT WERDEN.

Einstellen der Schnitttiefe

- **Abb.7:** 1. Kurbel

Die Schnitttiefe kann durch Drehen der Kurbel eingestellt werden. Drehen Sie die Kurbel im Uhrzeigersinn, um das Sägeblatt anzuheben, oder entgegen dem Uhrzeigersinn, um es abzusenken.

HINWEIS: Verwenden Sie zum Schneiden dünner Materialien eine geringe Tiefeneinstellung, um einen saubereren Schnitt zu erhalten.

Einstellen des Neigungswinkels

- **Abb.8:** 1. Sperrhebel 2. Pfeilzeiger 3. Handrad

Lösen Sie den Sperrhebel entgegen dem Uhrzeigersinn, und drehen Sie das Handrad, bis der gewünschte Winkel (0° - 45°) erreicht ist. Der Neigungswinkel wird durch den Pfeilzeiger angezeigt. Nachdem der gewünschte Winkel erreicht ist, ziehen Sie den Sperrhebel im Uhrzeigersinn fest, um die Einstellung zu sichern.

⚠ VORSICHT: Ziehen Sie den Sperrhebel nach dem Einstellen des Neigungswinkels sicher fest.

Einstellen der Festanschläge

- **Abb.9:** 1. 90° -Einstellschraube
2. 45° -Einstellschraube

- **Abb.10**

Das Werkzeug ist mit Festanschlägen bei 90° und 45° an der Tischoberfläche ausgestattet. Um die Festanschläge zu überprüfen und einzustellen, gehen Sie wie folgt vor: Bewegen Sie das Handrad so weit wie möglich durch Drehen. Prüfen Sie mit einem Einstellendreieck auf dem Tisch, ob das Sägeblatt in einem Winkel von 90° oder 45° zur Tischoberfläche steht. Falls sich das Sägeblatt an dem in Abb. A gezeigten Winkel befindet, drehen Sie die Einstellschrauben im Uhrzeigersinn; falls es sich an dem in Abb. B gezeigten Winkel befindet, drehen Sie die Einstellschrauben entgegen dem Uhrzeigersinn, um die Festanschläge einzustellen. Stellen Sie das Sägeblatt nach dem Einstellen der Festanschläge auf 90° zur Tischoberfläche ein. Stellen Sie dann den Pfeilzeiger so ein, dass seine rechte Kante auf den 0° -Skalenstrich ausgerichtet ist.

- **Abb.11:** 1. Pfeilzeiger

Schalterfunktion

- **Abb.12:** 1. Schalter

⚠ VORSICHT: Vergewissern Sie sich vor dem Betrieb, dass sich das Werkzeug einwandfrei ein- und ausschalten lässt.

Drücken Sie zum Einschalten des Werkzeugs den Einschaltknopf (I).

Drücken Sie zum Ausschalten den Ausschaltknopf (O).

Zusatzanschlag (Parallelanschlag)

- **Abb.13:** 1. Klemmschraube 2. Parallelanschlag
3. Zusatzanschlag 4. Schiene

Falls der Parallelanschlag nahe an das Sägeblatt kommt, stützen Sie das Werkstück mit dem Zusatzanschlag ab. Lösen Sie die Klemmschraube, und ziehen Sie den Zusatzanschlag von der Schiene ab. Bringen Sie den Zusatzanschlag wie abgebildet an, und ziehen Sie die Klemmschrauben fest.

Wenn der Parallelanschlag auf der linken Seite des Sägeblatts angebracht ist, wechseln Sie die Position des Zusatzanschlags. Entfernen Sie die Klemmschrauben, den Zusatzanschlag und die Schiene vom Parallelanschlag. Befestigen Sie die Schiene mit den entfernten Klemmschrauben provisorisch auf der rechten Seite des Parallelanschlags. Befestigen Sie danach den Zusatzanschlag, und ziehen Sie die Klemmschrauben fest.

- **Abb.14:** 1. Parallelanschlag 2. Zusatzanschlag
3. Klemmschraube 4. Schiene

Zusatztisch (R)

► **Abb.15:** 1. Hebel

► **Abb.16:** 1. Zusatztisch (R)

Dieses Werkzeug ist mit einem Zusatztisch (R) auf der rechten Seite des Haupttisches ausgestattet. Um den Zusatztisch (R) zu benutzen, heben Sie beide Hebel an der rechten Vorderseite an, ziehen Sie den Tisch (R) vollständig aus, und senken Sie dann die Hebel zum Sichern ab. Wenn Sie den Zusatztisch (R) benutzen, fixieren Sie die Skalenplatte am Zusatztisch, nachdem Sie die daran befindliche Schraube mit einem Schraubendreher gelöst haben, so dass sie mit der Skalenplatte am Haupttisch bündig wird.

► **Abb.17:** 1. Skalenplatte 2. Schraube

Zusatztisch (Rückseite)

Sonderzubehör

► **Abb.18:** 1. Zusatztisch (Rückseite) 2. Schraube

Um den Zusatztisch (Rückseite) zu benutzen, lösen Sie die Schrauben auf der linken und rechten Seite unter dem Tisch, und ziehen Sie ihn nach hinten auf die gewünschte Länge aus. Ziehen Sie die Schrauben an der gewünschten Länge fest.

HINWEIS: Wenn Sie den Zusatztisch (Rückseite) während des Gebrauchs des Parallelenschlags benutzen wollen, ziehen Sie den Zusatztisch (Rückseite) mehr als 50 mm heraus, so dass er nicht gegen die Oberseite des Parallelenschlags stößt.

Zusatztisch (L)

Sonderzubehör

► **Abb.19:** 1. Schraube 2. Zusatztisch (L)

Der Zusatztisch (L) (Sonderzubehör) kann auf der linken Seite des Tisches installiert werden, um eine breitere Fläche zu erhalten.

Rückschlagsicherungsklauen

⚠️ WARNUNG: Benutzen Sie die Rückschlagsicherungsklauen nach Möglichkeit während der Durchschneidarbeiten. Dadurch soll verhindert werden, dass das Material während einer Rückschlagsituation nach vorn auf den Bediener zu gedrückt wird, was zu schweren Personenschäden führen kann.

► **Abb.20:** 1. Rückschlagsicherungsklaue 2. Klemme

Um die Rückschlagsicherungsklauen vom Werkzeug zu entfernen, lösen Sie die Klemme an der Wurzel der Rückschlagsicherungsklauen, und ziehen Sie sie heraus. Zum Installieren wenden Sie das Demontageverfahren umgekehrt an.

MONTAGE

⚠️ VORSICHT: Vergewissern Sie sich vor der Ausführung von Arbeiten am Werkzeug stets, dass es ausgeschaltet und vom Stromnetz getrennt ist.

Montieren und Demontieren des Sägeblatts

⚠️ VORSICHT: Vergewissern Sie sich vor der Montage oder Demontage des Sägeblatts stets, dass das Werkzeug ausgeschaltet und vom Stromnetz getrennt ist.

⚠️ VORSICHT: Verwenden Sie nur den mitgelieferten Makita-Schraubenschlüssel zum Montieren und Demontieren des Sägeblatts. Anderenfalls besteht die Gefahr, dass die Sechskantschraube zu fest oder unzureichend angezogen wird. Dies könnte zu einer Verletzung führen.

⚠️ VORSICHT: Verwenden Sie das folgende Sägeblatt. Verwenden Sie keine Sägeblätter, die nicht den in dieser Anleitung angegebenen Kenndaten entsprechen.

Durchmesser	Sägeblattdicke	Schnittfuge
260 mm	Weniger als 1,9 mm	Mehr als 2,1 mm

1. Lösen Sie die Schraube am Tischplatteneinsatz, und nehmen Sie ihn ab.

2. Halten Sie den Außenflansch mit dem geköpften Schraubenschlüssel, und lösen Sie die Sechskantmutter mit dem Schraubenschlüssel entgegen dem Uhrzeigersinn. Entfernen Sie dann den Außenflansch.

► **Abb.21:** 1. Geköpfter Schraubenschlüssel
2. Sechskantmutter 3. Schraubenschlüssel

3. Montieren Sie Innenflansch, Ring, Sägeblatt, Außenflansch und Sechskantmutter an der Spindel, wobei Sie darauf achten, dass die Zähne des Sägeblatts an der Vorderseite des Tisches nach unten gerichtet sind. Installieren Sie die Sechskantmutter immer mit der ausgesparten Seite zum Außenflansch gerichtet.

► **Abb.22:** 1. Innenflansch 2. Ring 3. Sägeblatt
4. Außenflansch 5. Sechskantmutter

⚠️ VORSICHT: Vergewissern Sie sich, dass das Sägeblatt so installiert ist, dass die Zähne in Schnittrichtung (Drehrichtung) ausgerichtet sind.

⚠️ VORSICHT: Überprüfen Sie den Spindelbohrungsdurchmesser des Sägeblatts, bevor Sie das Sägeblatt installieren. Verwenden Sie immer den korrekten Ring für die Spindelbohrung des zu benutzenden Sägeblatts. Die Größe des (der) mitgelieferten Rings (Ringe) ist je nach Land unterschiedlich.

- Für ein Werkzeug, dessen Sägeblatt einen Bohrungsdurchmesser von 30 mm hat, ist ein Ring mit 30 mm Außendurchmesser im Lieferumfang enthalten.
- Für ein Werkzeug, dessen Sägeblatt einen Bohrungsdurchmesser von 25,4 mm hat, sind silberne und schwarze Ringe im Lieferumfang enthalten. Verwenden Sie den silbernen Ring für ein Sägeblatt mit einem Bohrungsdurchmesser von 25,4 mm, und den schwarzen Ring für ein Sägeblatt mit einem Bohrungsdurchmesser von 25 mm.

4. Um das Sägeblatt zu sichern, halten Sie den Außenflansch mit dem gekröpften Schraubenschlüssel, und ziehen Sie dann die Sechskantmutter mit dem Schraubenschlüssel im Uhrzeigersinn fest. DIE SECHSKANTMUTTER SICHER FESTZIEHEN.

- **Abb.23:** 1. Gekröpfter Schraubenschlüssel
2. Schraubenschlüssel

⚠ VORSICHT: Halten Sie die Flanschoberfläche frei von Schmutz und anderen anhaften Substanzen; anderenfalls könnte es zu Durchrutschen des Sägeblatts kommen.

⚠ VORSICHT: Halten Sie die Sechskantmutter unbedingt sorgfältig mit dem Schraubenschlüssel fest. Sollte Ihr Griff abrutschen, kann sich der Schraubenschlüssel von der Sechskantmutter lösen, und Ihre Hand könnte gegen die scharfen Sägeblattkanten stoßen.

5. Befestigen Sie den Tischplatteneinsatz mit der Schraube.

Einstellen des Spaltkeils

⚠ VORSICHT: Falls Sägeblatt und Spaltkeil nicht einwandfrei fluchten, kann es während des Betriebs zu einer gefährlichen Klemmwirkung kommen. Vergewissern Sie sich daher, dass sie korrekt ausgerichtet sind. Wird das Werkzeug mit falsch ausgerichtetem Spaltkeil benutzt, kann es zu schweren Personenschäden kommen.

⚠ VORSICHT: Führen Sie NIEMALS Einstellungen bei laufendem Werkzeug durch. Trennen Sie das Werkzeug vom Stromnetz, bevor Sie irgend welche Einstellungen durchführen.

⚠ VORSICHT: Der Spaltkeil darf nicht entfernt werden.

- **Abb.24:** 1. Sägeblattschutzhaube 2. Spaltkeil
3. Schraube

Die Position des Spaltkeils ist werksseitig so eingestellt worden, dass sich Sägeblatt und Spaltkeil auf einer geraden Linie befinden. Die Position muss jedoch eingestellt werden, falls sich Sägeblatt und Spaltkeil nicht auf einer geraden Linie befinden.

Lösen Sie die Schraube am Tischplatteneinsatz, und entfernen Sie ihn vom Hauptstisch. Lösen Sie die Sechskantschrauben (B), und stellen Sie den Montageteil (Stütze) der Sägeblattschutzhaube so ein, dass der Spaltkeil direkt hinter dem Sägeblatt liegt. Ziehen Sie dann die Sechskantschrauben (B) an, um die Stütze zu sichern, und setzen Sie den Tischplatteneinsatz wieder ein.

- **Abb.25:** 1. Sägeblatt 2. Diese beiden Abstände müssen gleich sein.
3. Spaltkeil 4. Sechskantschrauben (B)
5. Sechskantschrauben (A)

Es muss ein Abstand von etwa 4 - 5 mm zwischen dem Spaltkeil und den Sägeblattzähnen vorhanden sein. Lösen Sie die Sechskantschrauben (A), stellen Sie den Spaltkeil entsprechend ein, und ziehen Sie die Sechskantschrauben (A) fest. Befestigen Sie den Tischplatteneinsatz mit der Schraube am Tisch, und prüfen Sie dann nach, ob die Sägeblattschutzhaube sich reibungslos bewegt, bevor Sie mit dem Schneiden beginnen.

- **Abb.26:** 1. Spaltkeil 2. Blattschutz 3. 4 mm - 5mm Abstand

Installieren und Einstellen des Parallelanschlags

- **Abb.27:** 1. Haken 2. Knopf 3. Führungsschiene

1. Passen Sie den Haken an der Spitze des Parallelanschlags in die hintere Führungsschiene am Tisch oder Zusatztisch (R) ein, installieren Sie den Parallelanschlag, und schieben Sie ihn nach vorn, so dass der Anschlaghalter mit der am nächsten gelegenen Führungsschiene in Eingriff kommt.

2. Um den Parallelanschlag auf der Führungsschiene seitwärts zu schieben, ziehen Sie den Knopf am Anschlaghalter vollständig zurück, ohne den Hebel am Knopf zu ziehen.

Um den Parallelanschlag zu sichern, schwenken Sie den Knopf am Anschlaghalter vollständig.

3. Um den Parallelanschlag zu entfernen, ziehen Sie den Hebel am Knopf, und schwenken Sie den Knopf vollständig nach vorn, während Sie den Hebel ziehen.

Um zu prüfen, ob der Parallelanschlag parallel zum Sägeblatt ist, sichern Sie den Parallelanschlag 2 - 3 mm vom Sägeblatt. Heben Sie das Sägeblatt bis auf die maximale Höhe an. Markieren Sie einen der Sägeblattzähne mit einem Buntstift. Messen Sie die Abstände (A) und (B) zwischen Parallelanschlag und Sägeblatt. Verwenden Sie für beide Messungen den mit dem Farbstift markierten Zahn. Diese beiden Messungen müssen identisch sein. Ist der Parallelanschlag nicht parallel zum Sägeblatt, gehen Sie wie folgt vor:

- **Abb.28:** 1. Skala

1. Bringen Sie den Parallelanschlag in die Schiebefosition.

2. Lösen Sie die zwei Sechskantschrauben am Parallelanschlag mit dem mitgelieferten Inbusschlüssel.

- **Abb.29:** 1. Sechskantschrauben

3. Stellen Sie den Parallelanschlag ein, bis er parallel zum Sägeblatt ist.

4. Schwenken Sie den Knopf am Parallelanschlag nach unten auf den Bediener zu.

5. Ziehen Sie die zwei Sechskantschrauben am Parallelanschlag fest.

- **Abb.30**

⚠ VORSICHT: Stellen Sie den Parallelanschlag unbedingt parallel zum Sägeblatt ein, weil sonst eine gefährliche Rückschlagsituation eintreten kann.

Wenn der Parallelanschlag nicht fest gesichert werden kann, stellen Sie ihn nach dem folgenden Verfahren ein.

1. Setzen Sie den Parallelanschlag auf den Tisch, und schwenken Sie dann den Knopf bis zur Hälfte seines Weges (bewegliche Stellung). Ziehen Sie die Schraube (A) so weit an, bis der Parallelanschlag bewegungsunfähig ist. Lösen Sie sie dann um 1/4 bis 1/2 Drehung.

- **Abb.31:** 1. Parallelanschlag 2. Gelöste Stellung 3. Bewegliche Stellung
4. Verriegelungsstellung

► **Abb.32:** 1. Parallelanschlag 2. Bewegliche Stellung
3. Schraube (B) 4. Schraube (A)

2. Ziehen Sie die Schraube (B) vollständig fest, und lösen Sie sie dann um 2 volle Umdrehungen.

- Verriegeln Sie den Parallelanschlag, indem Sie den Knopf am Anschlaghalter vollständig schwenken (Verriegelungsstellung).
- Vergewissern Sie sich, dass der Parallelanschlag in der ursprünglichen Stellung (gelöste Stellung) installiert und entfernt werden kann.
- Vergewissern Sie sich, dass der Parallelanschlag reibungslos und ohne Wobbeln verschoben werden kann, wenn sich der Knopf in der Zwischenstellung befindet.

ANMERKUNG: Achten Sie darauf, dass Sie Schrauben nicht mit einem stärkeren Anzugsmoment anziehen, als in den obigen Anweisungen angegeben. Anderenfalls können die Befestigungselemente beschädigt werden.

Bringen Sie den Parallelanschlag bündig gegen die Seite des Sägeblatts. Vergewissern Sie sich, dass die Richtlinie am Anschlaghalter auf den Skalenstrich 0 zeigt. Falls die Richtlinie nicht auf den Skalenstrich 0 zeigt, lösen Sie die Schraube an der Skalenplatte, und stellen Sie die Skalenplatte ein.

► **Abb.33:** 1. Richtlinie 2. Schrauben

Anschließen des Sauggeräts

Um sauberer zu arbeiten, schließen Sie das Werkzeug an ein Makita-Sauggerät oder einen Staubsammler an.

► **Abb.34**

BETRIEB

⚠ VORSICHT: Verwenden Sie stets „Arbeitshilfen“, wie z. B. Schiebestöcke und Schiebeklötze, wenn die Gefahr besteht, dass Sie mit den Händen oder Fingern in die Nähe des Sägeblatts kommen.

⚠ VORSICHT: Sichern Sie das Werkstück stets einwandfrei auf dem Tisch und mit dem Parallelanschlag oder Gehrungsanschlag. Unterlassen Sie Biegen oder Verdrehen des Werkstücks während des Vorschubs.

Wird das Werkstück gebogen oder verdreht, können gefährliche Rückschläge auftreten.

⚠ VORSICHT: Entnehmen Sie das Werkstück NIEMALS bei rotierendem Sägeblatt. Wenn Sie das Werkstück vor der Vollendung eines Schnitts entnehmen müssen, schalten Sie zuerst das Werkzeug aus, während Sie das Werkstück festhalten. Warten Sie, bis das Sägeblatt zum vollkommenen Stillstand gekommen ist, bevor Sie das Werkstück entnehmen. Anderenfalls kann es zu gefährlichen Rückschlägen kommen.

⚠ VORSICHT: Entfernen Sie abgesägtes Material NIEMALS bei rotierendem Sägeblatt.

⚠ VORSICHT: Halten Sie NIEMALS Ihre Hände oder Finger in den Weg des Sägeblatts. Lassen Sie bei Neigungsschnitten besondere Vorsicht walten.

⚠ VORSICHT: Sichern Sie den Parallelanschlag stets einwandfrei, weil es sonst zu gefährlichen Rückschlägen kommen kann.

⚠ VORSICHT: Verwenden Sie stets „Arbeitshilfen“, wie z. B. Schiebestöcke und Schiebeklötze zum Schneiden kleiner oder schmaler Werkstücke.

Arbeitshilfen

Schiebestöcke, Schiebeklötze oder Hilfsanschläge sind „Arbeitshilfen“. Verwenden Sie diese, um sichere, saubere Schritte auszuführen und zu verhindern, dass Sie mit irgendeinem Körperteil das Sägeblatt berühren.

Schiebeklotz

► **Abb.35:** 1. Seitenfläche/Kante parallel 2. Handgriff 3. Holzschraube 4. Zusammenleimen

Verwenden Sie ein 19 mm dickes Sperrholzstück. Der Handgriff muss in der Mitte des Sperrholzstücks liegen. Befestigen Sie ihn mit Leim und Holzschrauben, wie gezeigt. Ein kleines Holzstück von 9,5 mm x 8 mm x 50 mm muss immer an das Sperrholz angeleimt werden, um Abstumpfen des Sägeblatts zu verhindern, falls die Bedienungsperson versehentlich in den Schiebeklotz schneidet. (Niemals Nägel im Schiebeklotz verwenden.)

Hilfsanschlag

► **Abb.36:** 1. Seitenfläche/Kante parallel

Fertigen Sie einen Hilfsanschlag aus 9,5 mm und 19 mm dicken Sperrholzstücken an.

Längssägen

⚠ VORSICHT: Entfernen Sie zum Längssägen den Gehrungsanschlag vom Tisch.

⚠ VORSICHT: Wenn Sie lange oder große Werkstücke sägen, sorgen Sie stets für angemessene Abstützung hinter dem Tisch. Achten Sie darauf, dass sich ein langes Brett NICHT auf dem Tisch bewegt oder verschiebt. Dies führt zu Klemmen des Sägeblatts und erhöht die Wahrscheinlichkeit von Rückschlägen und Personenschäden. Die Stütze sollte die gleiche Höhe wie der Tisch haben.

⚠ VORSICHT: Führen Sie kein schräges Längssägen auf der Neigungsseite des Sägeblatts durch.

1. Stellen Sie die Schnitttiefe etwas größer als die Dicke des Werkstücks ein.

► **Abb.37**

2. Stellen Sie den Parallelanschlag auf die gewünschte Längsschnittbreite ein, und verriegeln Sie ihn durch Schwenken des Knopfes. Vergewissern Sie sich vor dem Längssägen, dass das hintere Ende des Parallelanschlags fest gesichert ist. Ist es nicht ausreichend gesichert, wenden Sie die Verfahren in dem Abschnitt mit dem Titel „Installieren und Einstellen des Parallelanschlags“ an.

3. Schalten Sie das Werkzeug ein, und schieben Sie das Werkstück entlang dem Parallelanschlag sachte gegen das Sägeblatt.

Wenn die Längsschnittbreite 150 mm oder mehr beträgt, schieben Sie das Werkstück vorsichtig mit Ihrer rechten Hand vor. Halten Sie das Werkstück mit Ihrer linken Hand gegen den Parallelanschlag gedrückt.

► **Abb.38**

Wenn die Längsschnittbreite 65 mm - 150 mm beträgt, verwenden Sie einen Schiebstock für den Vorschub des Werkstücks.

► **Abb.39:** 1. Schiebstock

Wenn die Längsschnittbreite kleiner als 65 mm ist, kann der Schiebstock nicht verwendet werden, weil er mit der Sägeblattschutzhaube in Berührung kommt. Verwenden Sie einen Hilfsanschlag und einen Schiebeklotz. Befestigen Sie den Hilfsanschlag mit zwei „C“-Klammern am Parallelanschlag. Schieben Sie das Werkstück von Hand vor, bis die Vorderkante etwa 25 mm von der Vorderkante des Tisches entfernt ist.

► **Abb.40**

Schieben Sie das Werkstück mit Hilfe des Schiebeklotzes auf der Oberseite des Hilfsanschlags weiter vor, bis der Schnitt vollendet ist.

► **Abb.41:** 1. Schiebeklotz 2. Hilfsanschlag

Querschnitt

⚠ VORSICHT: Entfernen Sie für Querschnitte den Parallelanschlag vom Tisch.

⚠ VORSICHT: Wenn Sie lange oder große Werkstücke sägen, sorgen Sie stets für angemessene Abstützung auf den Tischseiten. Die Stütze sollte die gleiche Höhe wie der Tisch haben.

⚠ VORSICHT: Halten Sie stets Ihre Hände von der Schnittlinie des Sägeblatts fern.

Gehrungsanschlag

► **Abb.42:** 1. Querschnitt 2. Gehrungsschnitt 3. Neigungsschnitt 4. Compound-Gehrungsschnitt (Winkel)

Verwenden Sie den Gehrungsanschlag für die in der Abbildung gezeigten 4 Schnittarten.

⚠ VORSICHT: Ziehen Sie den Knopf des Gehrungsanschlags sorgfältig an.

⚠ VORSICHT: Vermeiden Sie Kriechen von Werkstück und Lehre durch eine feste Werkstückeinspannung, insbesondere beim Schneiden im Winkel.

⚠ VORSICHT: Halten oder greifen Sie NIEMALS den vorgesehenen „Abschneideteil“ des Werkstücks.

⚠ VORSICHT: Achten Sie stets darauf, dass der Abstand zwischen dem Ende des Gehrungsanschlags und dem Sägeblatt 15 mm nicht überschreitet.

Gehrungsanschlag-Festanschlag

► **Abb.43:** 1. Schraube für Festanschlag 2. Kleine Platte 3. Knopf

Für schnelles Einstellen von Gehrungswinkeln ist der Gehrungsanschlag mit Festanschlägen bei rechten und linken Gehrungswinkeln von 90° und 45° versehen. Um den Gehrungswinkel einzustellen, lösen Sie den Knopf am Gehrungsanschlag.

Heben Sie die kleine Platte am Gehrungsanschlag für freies Einstellen an. Drehen Sie den Gehrungsanschlag auf den gewünschten Gehrungswinkel. Stellen Sie die kleine Platte am Gehrungsanschlag auf die Ausgangsposition zurück, und ziehen Sie den Knopf im Uhrzeigersinn sicher fest.

Verwendung des Gehrungsanschlags

► **Abb.44:** 1. Nut 2. Gehrungsanschlag 3. Knopf

Schieben Sie den Gehrungsanschlag in die breiten Führungsnuten des Tisches. Lösen Sie den Knopf an der Lehre, und stellen Sie die Lehre auf den gewünschten Winkel (0° bis 60°) ein. Legen Sie das Material bündig an den Anschlag an, und schieben Sie es sachte in das Sägeblatt vor.

Zusatzlehre (Gehrungsanschlag)

► **Abb.45:** 1. Zusatzlehre

Die Zusatzlehre am Gehrungsanschlag verhindert Wobbeln des Werkstücks. Lösen Sie die Schraube am Gehrungsanschlag, und stellen Sie die Position der Zusatzlehre ein.

Tragen des Werkzeugs

► **Abb.46**

Vergewissern Sie sich, dass das Werkzeug vom Stromnetz getrennt ist. Halten Sie das Werkzeug zum Tragen an dem in der Abbildung gezeigten Teil.

⚠ VORSICHT: Sichern Sie stets alle beweglichen Teile, bevor Sie das Werkzeug tragen.

⚠ VORSICHT: Vergewissern Sie sich vor dem Tragen des Werkzeugs, dass die Sägeblattschutzhaube und die Zusatzschutzhaube abgesenkt sind, und dass die Unterkante der Zusatzschutzhaube den Haupttisch berührt.

WARTUNG

⚠ VORSICHT: Vergewissern Sie sich vor der Durchführung von Überprüfungen oder Wartungsarbeiten des Werkzeugs stets, dass es ausgeschaltet und vom Stromnetz getrennt ist.

ANMERKUNG: Verwenden Sie auf keinen Fall Benzin, Waschbenzin, Verdünnern, Alkohol oder dergleichen. Solche Mittel können Verfärbung, Verformung oder Rissbildung verursachen.

Reinigen

Beseitigen Sie Sägemehl und Späne von Zeit zu Zeit. Reinigen Sie die Sägeblattschutzhaube und die beweglichen Teile im Inneren der Tischkreissäge sorgfältig. Um das unter dem Sägeblatt angesammelte Sägemehl zu entfernen, nehmen Sie den Tischplatteneinsatz heraus, und blasen Sie das Sägemehl mit Druckluftspray aus dem Steckverbinder für ein Sauggerät aus.

Schmierung

Um die Tischkreissäge in optimalem Betriebszustand zu halten und maximale Nutzungsdauer zu gewährleisten, sollten Sie die beweglichen und rotierenden Teile von Zeit zu Zeit einölen oder einfetten.

Schmierstellen:

- Gewindewelle zum Anheben des Sägeblatts
- Scharnier zum Drehen des Rahmens
- Höhenführungswellen am Motor
- Zahnrad zum Anheben des Sägeblatts
- Führungsschienen für Parallelanschlag
- Welle der Spannhebel für Zusatztisch (R)
- Schiebeteil des Zusatztisches (R)

Auswechseln der Kohlebürsten

Überprüfen Sie die Kohlebürsten regelmäßig.

Wechseln Sie sie aus, wenn sie bis zur Verschleißgrenze abgenutzt sind. Halten Sie die Kohlebürsten stets sauber, damit sie ungehindert in den Haltern gleiten können. Beide Kohlebürsten sollten gleichzeitig ausgewechselt werden. Verwenden Sie nur identische Kohlebürsten.

► **Abb.47:** 1. Verschleißgrenze

1. Lagern Sie den Zusatztisch (R). Entfernen Sie den Parallelanschlag, wenn er gelagert wird.

2. Lösen Sie den Sperrhebel, und drehen Sie das Handrad, bis der Sägekopf auf den 45°-Neigungswinkel geneigt ist. Ziehen Sie danach den Sperrhebel fest.

► **Abb.48:** 1. Parallelanschlag 2. Sperrhebel
3. Handrad

3. Stellen Sie das Werkzeug auf seine rechte Seite.

► **Abb.49**

4. Lösen Sie die Schrauben an der Bodenplatte, und nehmen Sie diese ab.

5. Lösen Sie die Bürstenhalterkappen mit einem Schraubendreher, und entfernen Sie die abgenutzten Kohlebürsten.

► **Abb.50:** 1. Bodenplatte 2. Bürstenhalterkappe
3. Schraubendreher

6. Setzen Sie die neuen Kohlebürsten ein, und sichern Sie die Bürstenhalterkappen.

7. Befestigen Sie die Bodenplatte mit Schrauben, und legen Sie das Werkzeug vorsichtig auf seine Unterseite. Lagern Sie den Parallelanschlag, falls er abgenommen wurde.

Um die SICHERHEIT und ZUVERLÄSSIGKEIT dieses Produkts zu gewährleisten, sollten Reparaturen und andere Wartungs- oder Einstellarbeiten nur von Makita-Vertragswerkstätten oder Makita-Kundendienstzentren unter ausschließlicher Verwendung von Makita-Originalersatzteilen ausgeführt werden.

SONDERZUBEHÖR

⚠ VORSICHT: Die folgenden Zubehörteile oder Vorrichtungen werden für den Einsatz mit dem in dieser Anleitung beschriebenen Makita-Werkzeug empfohlen. Die Verwendung anderer Zubehörteile oder Vorrichtungen kann eine Verletzungsgefahr darstellen. Verwenden Sie Zubehörteile oder Vorrichtungen nur für ihren vorgesehenen Zweck.

Wenn Sie weitere Einzelheiten bezüglich dieser Zubehörteile benötigen, wenden Sie sich bitte an Ihre Makita-Kundendienststelle.

- Hartmetallbestückte Stahlsägeblätter
- Zusatztisch (L)
- Zusatztisch (Rückseite)
- Parallelanschlag
- Gehrungsanschlag
- Gekröpfter Schraubenschlüssel 13-22
- Schraubenschlüssel 19
- Inbusschlüssel 5
- Verbindungsstück (für Anschluss an Staubsammler)
- Tischkreissägeständersatz

Nehmen Sie auf die Gebrauchsanleitung für den Tischkreissägenständer Bezug, die als Sonderzubehör geliefert wird.

HINWEIS: Manche Teile in der Liste können als Standardzubehör im Werkzeugsatz enthalten sein. Sie können von Land zu Land unterschiedlich sein.

Makita Europe N.V. Jan-Baptist Vinkstraat 2,
3070 Kortenberg, Belgium

Makita Corporation 3-11-8, Sumiyoshi-cho,
Anjo, Aichi 446-8502 Japan

www.makita.com

885620-972
EN, PL, HU, SK,
CS, UK, RO, DE
20180117