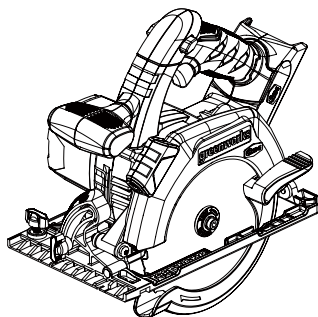




1500107a

FR	24V SCIE CIRCULAIRE	MANUE L D'UTILISATION	3
EN	24V CIRCULAR SAW	USER'S MANUAL	8
DE	24V KREISSÄGE	BEDIENUNGSANLEITUNG	12
ES	SIERRA CIRCULAR 24V	MANUAL DE UTILIZACIÓN	18
IT	SEGA CIRCOLARE DA 24V	MANUALE D'USO	23
PT	PORTUGUESE	MANUAL DE UTILIZAÇÃO	28
NL	24V CIRKELZAAGMACHINE	GEBRUIKERSHANDLEIDING	33
SV	24 V CIRKELSÄG	INSTRUKTIONSBOK	39
DA	24V RUNDSAV	BRUGERVEJLEDNING	44
NO	24V SIRKELSAG	BRUKSANVISNING	49
FI	24 V PYÖRÖSAHA	KÄYTTÄJÄN KÄSIKIRJA	54
HU	24V KÖRFŰRÉS Z	HASZNÁL ATI ÚTMUTATÓ	59
CS	24 V ROTAČNÍ PÍLA	NÁVOD K OBSLUZE	65
RU	ЦИРКУЛЯРНАЯ ПИЛА 24 В	РУКОВОДСТВО ПО ЭКСПЛУАТАЦИИ	70
RO	FERĂSTRĂU CIRCULAR LA 24V	MANUAL DE UTILIZARE	75
PL	PILARKA TARCZOWA 24 V	INSTRUKCJA OBSŁUGI	80
SL	24 V KROŽNA ŽAGA	UPORABNIŠKI PRIROČNIK	85
HR	KRUŽNA PÍLA OD 24 V	KORISNI ČKI PRIRU ČNIK	89
ET	KETASSAAG 24 V	KASUTAJAJUHEND	94
LT	24 V DISKINIS PŪKLAS	NAUDOJIMO VADOVAS	99
LV	24VRIPZĀĢIS	LIETOTĀJA ROKASGR ĀMATA	104
SK	24 V KOTÚČOVÁ PÍLA	NÁVOD NA POUŽITIE	108
BG	ЦИРКУЛЯРЕН ТРИОН, 24 V	РЪКОВ ОДСТВО ЗА УПОТРЕ БА	112



Important!	It is essential that you read the instructions in this manual before operating this machine.
Attention!	Il est indispensable que vous lisiez les instructions contenues dans ce manuel avant la mise en service de l'appareil.
Achtung!	Bitte lesen Sie unbedingt vor Inbetriebnahme die Hinweise dieser Bedienungsanleitung.
¡Atención!	Es imprescindible que lea las instrucciones de este manual antes de la puesta en servicio.
Attenzione!	Prima di procedere alla messa in funzione, è indispensabile leggere attentamente le istruzioni contenute nel manuale.
Let op!	Het is van essentieel belang dat u de instructies in deze gebruiksaanwijzing goed leest voordat u de machine gaat gebruiken.
Atenção!	É indispensável que leia as instruções deste manual antes de utilizar a máquina.
OBS!	Denne brugervejledning skal gennemlæses inden maskinen tages i brug.
Observerval!	Det är nödvändigt att läsa instruktionerna i denna bruksanvisning innan användning.
Huomio!	On ehdottoman välttämätöntä lukea tässä käyttöohjeessa annetut ohjeet ennen käyttöönottoa.
Advarsel!	Det er meget vigtigt at du leser denne brukerveiledningen før du tar maskinen i bruk.
Внимание!	Перед сборкой и запуском инструмента необходимо ознакомиться с инструкцией по эксплуатации.
Uwaga!	Przed przystąpieniem do użytkowania tego urządzenia, należy koniecznie zapoznać się z zaleceniami zawartymi w niniejszym podręczniku.
Důležitě upozornění!	Nepoužívejte tento přístroj dříve, než si přečtete pokyny uvedené v tomto návodu.
Figyelem!	Feltétlenül fontos, hogy a jelen használati útmutatóban foglalt előírásokat az üzembe helyezés előtt elolvassa!
Atenție!	Este esențial să citiți instrucțiunile din acest manual înainte de operarea acestui aparat.
Uzmanību!	Svarīgi, lai jūs pirms mašīnas darbināšanas izlasītu instrukcijas šajā rokasgrāmatā.
Dèmesio!	Prieš pradėdami eksploatuoti šį prietaisą, svarbu, kad perskaitytumėte šiose instrukcijose pateiktus nurodymus.
Tähtis!	Enne trelli kasutama hakkamist tuleb käesolevas juhendis esitatud juhised kindlasti läbi lugeda.
UPOZORENJE!	Neophodno je da pročitate ove upute prije uporabe ovog uređaja.
POMEMBNO!	Pred uporabo tega stroja, obvezno preberite navodila iz tega priročnika.
Dôležité!	Pre prácu s týmto zariadením je dôležité, aby ste si prečítali pokyny v tomto návode.
Προσοχή!	Είναι απαραίτητο να διαβάσετε τις συστάσεις των οδηγιών αυτών πριν και τη θέση σε λειτουργία.
Dikkat!	Cihazın çalıştırılmasından önce bu kılavuzda bulunan talimatları okumanız zorunludur.

Subject to technical modifications / Sous réserve de modifications techniques / Technische Änderungen vorbehalten /
 Sujeto a modificaciones técnicas / Con riserva di eventuali modifiche tecniche / Technische wijzigingen voorbehouden /
 Com reserva de modificações técnicas / Med forbehold for tekniske ændringer / Med förbehåll för tekniska ändringar /
 Tekniset muutokset varataan / Med forbehold om tekniske endringer / Могут быть внесены технические изменения /
 Z zastrzeżeniem modyfikacji technicznych / Změny technických údajů vyhrazeny / A műszaki módosítás jogát fenntartjuk /
 Sub rezerva modificărilor tehnice / Paturam tiesības mainīt tehniskos raksturlielumus / Pasīiekant teišē dartyi techninius pakeitimus /
 Tehnilised muudatused võimalikud / Podložno tehničkim promjenama / Tehnične spremembe dopuščene /
 Právo na technické zmeny je vyhradené / Υπό την επιφύλαξη τεχνικών τροποποιήσεων / Teknik deęişliklik hakkı saklıdır

Figure Sheet

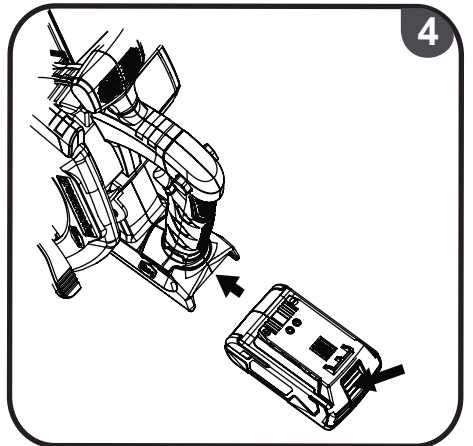
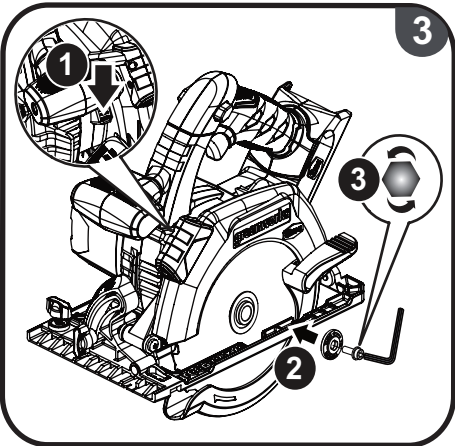
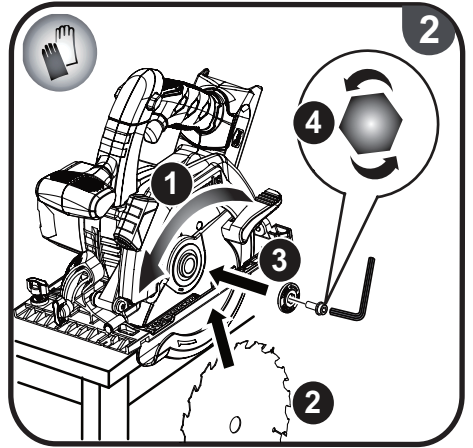
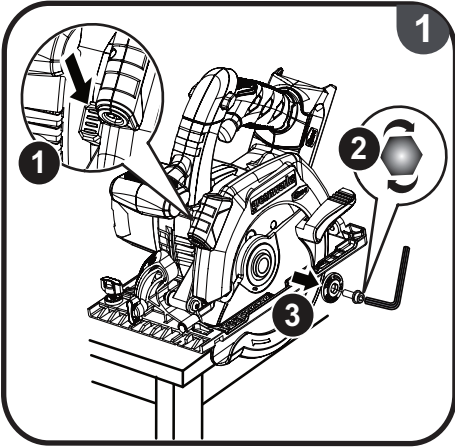


Figure Sheet

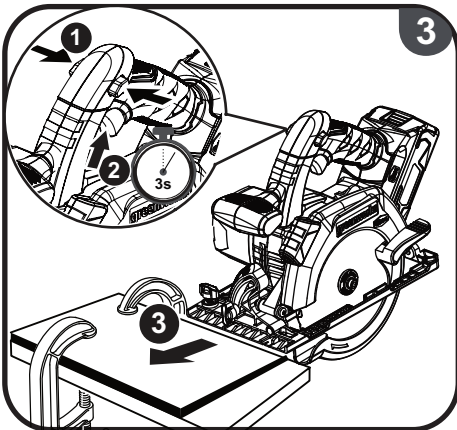
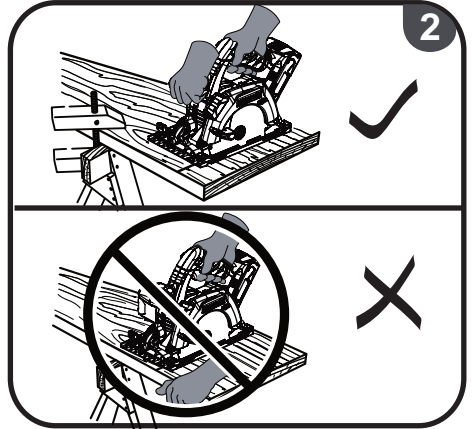
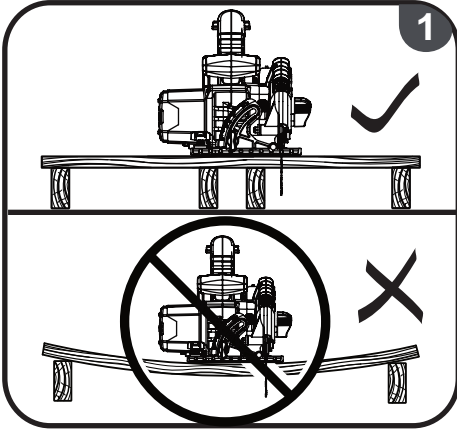


Figure Sheet

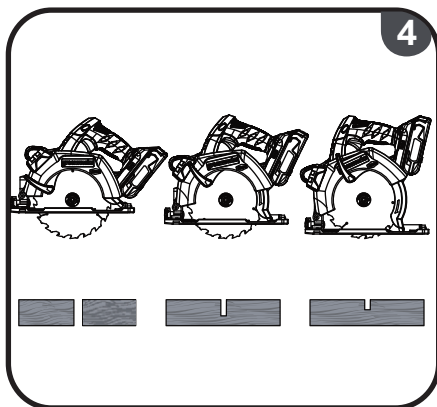
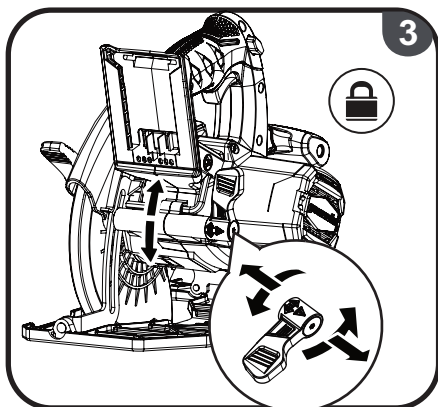
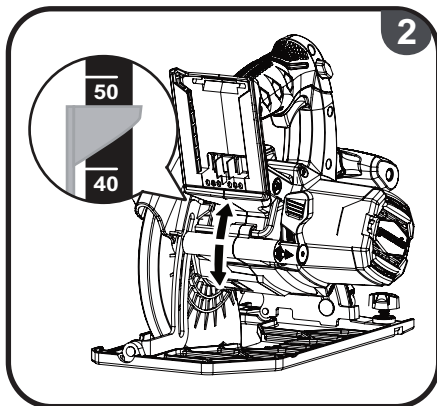
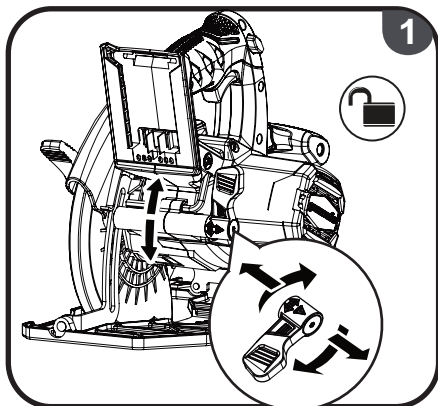
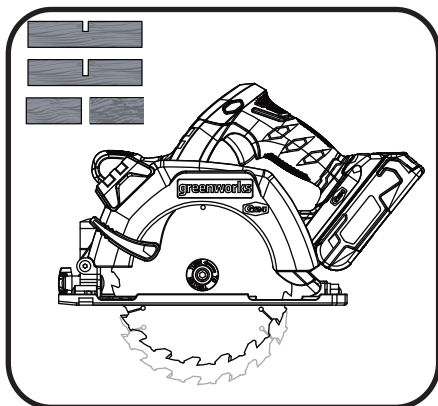


Figure Sheet

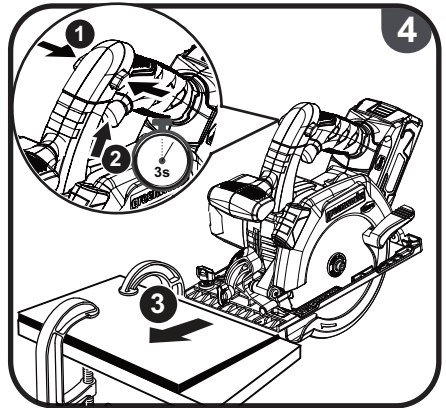
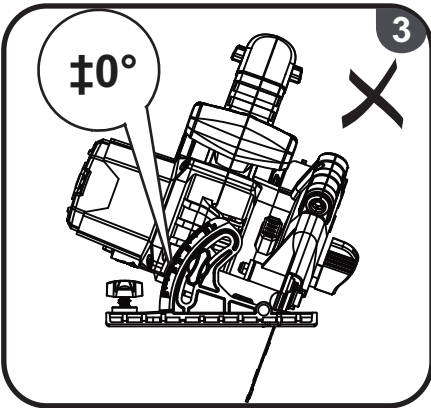
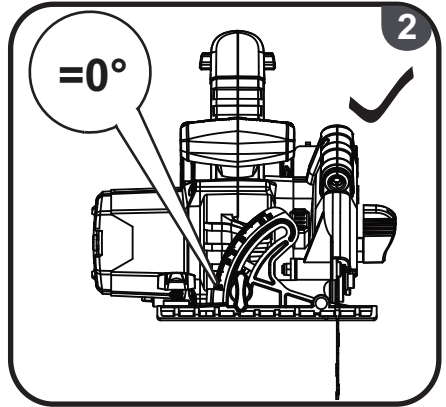
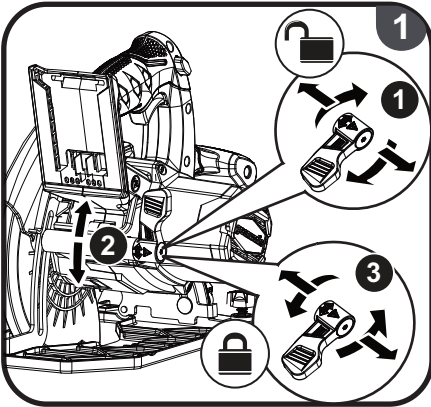
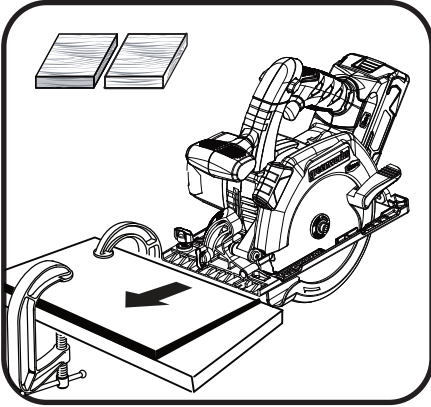


Figure Sheet

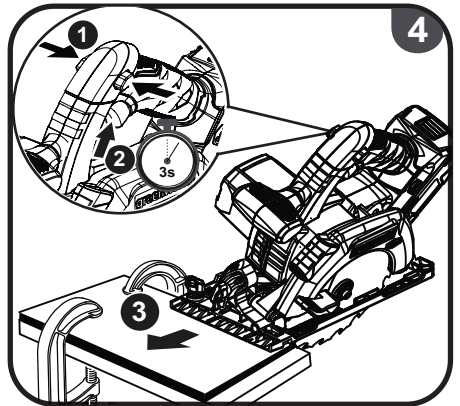
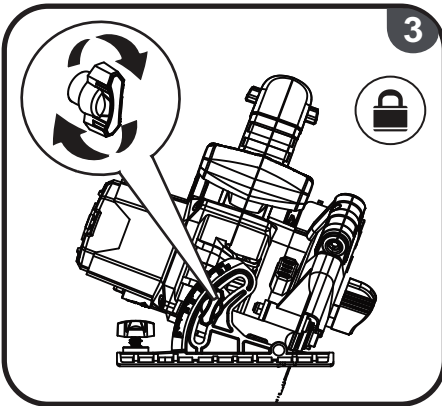
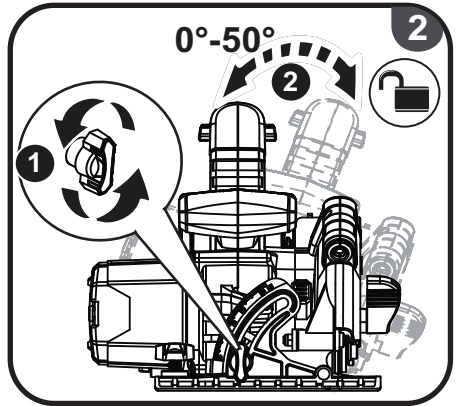
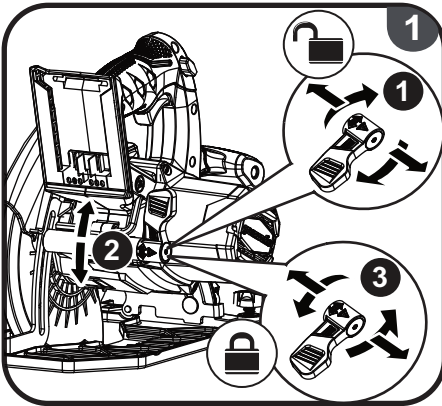
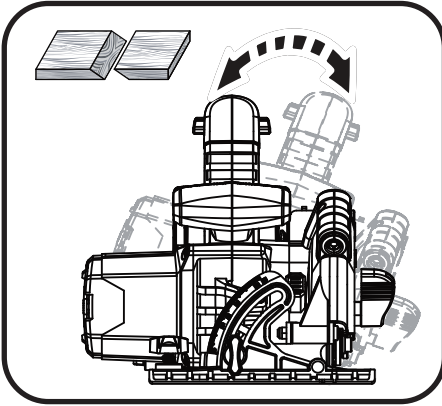


Figure Sheet

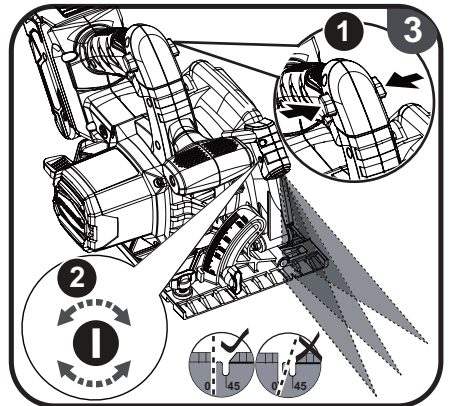
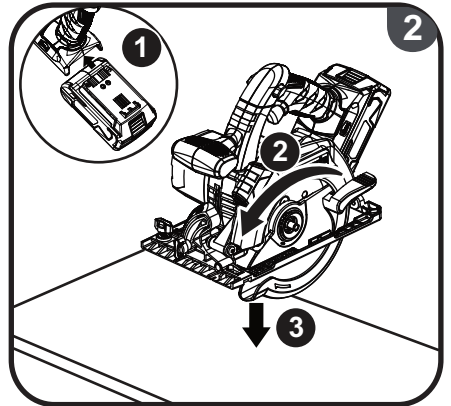
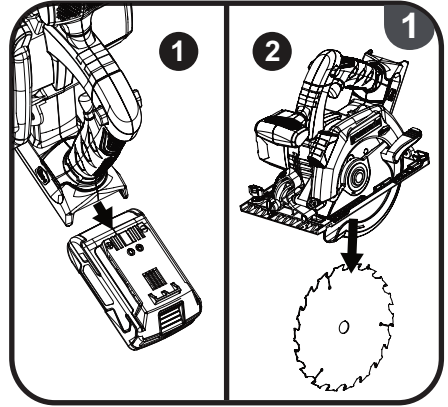
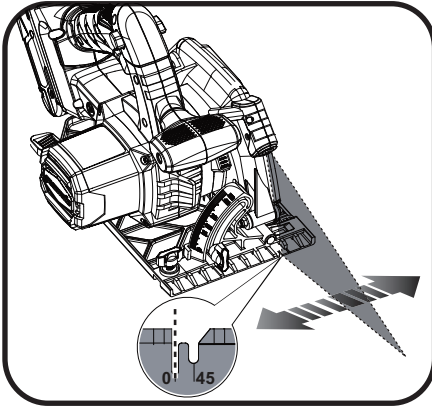


Figure Sheet

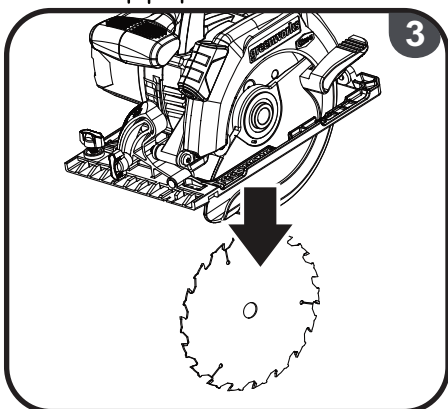
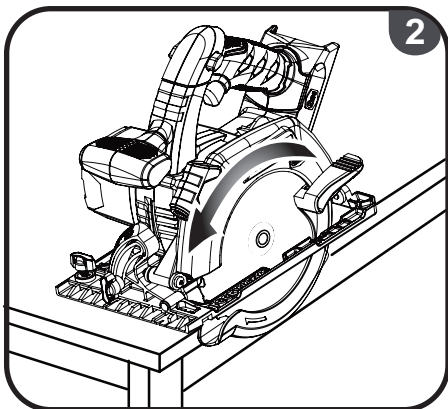
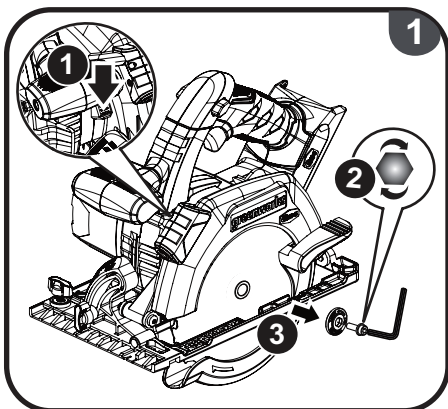
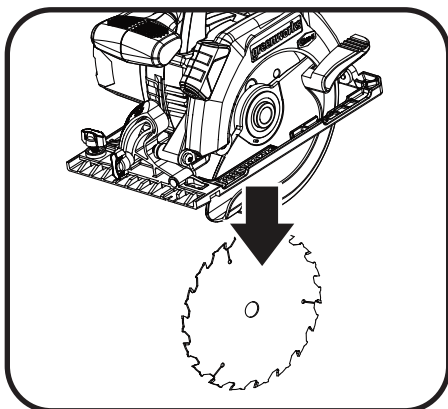
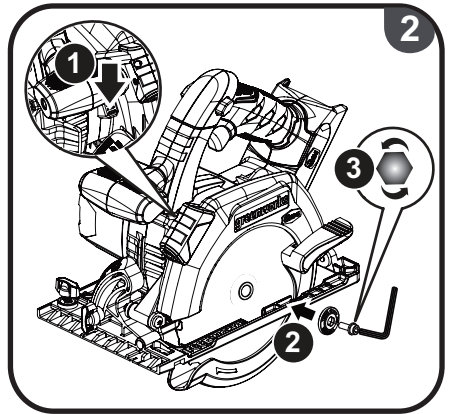
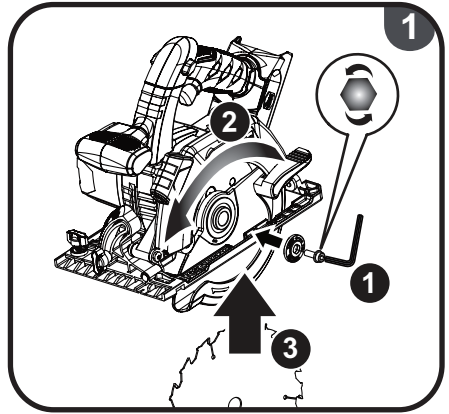
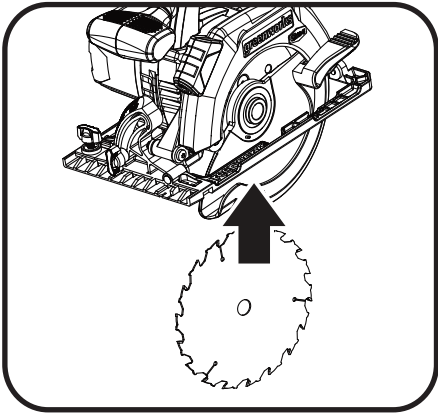


Figure Sheet



English (original instructions)

WARNING

Read all safety warnings and all instructions. Failure to follow the warnings and instructions may result in electric shock, fire and/or serious injury.

- Save all warnings and instructions for future reference. The term "power tool" in the warnings refers to your mains-operated (corded) power tool or battery-operated (cordless) power tool.

WORK AREA SAFETY

- Keep work area clean and well lit. Cluttered or dark areas invite accidents.
- Do not operate power tools in explosive atmospheres, such as in the presence of flammable liquids, gases or dust. Power tools create sparks which may ignite the dust or fumes.
- Keep children and bystanders away while operating a power tool. Distractions can cause you to lose control.

ELECTRICAL SAFETY

- Do not expose power tools to rain or wet conditions. Water entering a power tool will increase the risk of electric shock.

PERSONAL SAFETY

- Stay alert, watch what you are doing and use common sense when operating a power tool. Do not use a power tool while you are tired or under the influence of drugs, alcohol or medication. A moment of inattention while operating power tools may result in serious personal injury.
- Use personal protective equipment. Always wear eye protection. Protective equipment such as dust mask, gloves, non-skid safety shoes, hard hat, or hearing protection used for appropriate conditions will reduce personal injuries.
- Prevent unintentional starting. Ensure the switch is in the off-position before connecting to power source and/or battery pack, picking up or carrying the tool. Carrying power tools with your finger on the switch or energizing power tools that have the switch on invites accidents.
- Remove any adjusting key or wrench before turning the power tool on. A wrench or a key left attached to a rotating part of the power tool may result in personal injury.
- Do not over-reach. Keep proper footing and balance at all times. This enables better control of the power tool in unexpected situations.

- Dress properly. Do not wear loose clothing or jewellery. Keep your hair, clothing and gloves away from moving parts. Loose clothes, jewellery or long hair can be caught in moving parts.

POWER TOOL USE AND CARE

- Do not use any abrasive wheels.
- Do not force the power tool. Use the correct power tool for your application. The correct power tool will do the job better and safer at the rate for which it was designed.
- Do not use the power tool if the switch does not turn it on and off. Any power tool that cannot be controlled with the switch is dangerous and must be repaired.
- Store idle power tools out of the reach of children and do not allow persons unfamiliar with the power tool or these instructions to operate the power tool. Power tools are dangerous in the hands of untrained users.
- Maintain power tools. Check for misalignment or binding of moving parts, breakage of parts and any other condition that may affect the power tool's operation. If damaged, have the power tool repaired before use. Many accidents are caused by poorly maintained power tools.
- Keep cutting tools sharp and clean. Properly maintained cutting tools with sharp cutting edges are less likely to bind and are easier to control.
- Use the power tool, accessories and tool bits etc. in accordance with these instructions, taking into account the working conditions and the work to be performed. Use of the power tool for operations different from those intended could result in a hazardous situation.

BATTERY TOOL USE AND CARE

- Ensure the switch is in the off position before inserting battery pack. Inserting the battery pack into power tools that have the switch on invites accidents.
- Recharge only with the charger specified by the manufacturer. A charger that is suitable for one type of battery pack may create a risk of fire when used with another battery pack.
- Use power tools only with specifically designated battery packs. Use of any other battery packs may create a risk of injury and fire.
- When battery pack is not in use, keep it away from other metal objects like paper clips, coins, keys, nails, screws, or other small metal objects that can make a connection from one terminal to another. Shorting the battery terminals together may cause burns or fire.

English (original instructions)

- Under abusive conditions, liquid may be ejected from the battery; avoid contact. If contact accidentally occurs, flush with plenty of soap and water. If liquid contacts eyes, immediately seek medical help. Liquid ejected from the battery may cause irritation or burns.

SERVICE

- Have your power tool serviced by a qualified repair person using only identical replacement parts. This will ensure that the safety of the power tool is maintained.

SPECIAL SAFETY RULES

CUTTING PROCEDURES

- Danger! Keep hands away from cutting area and the blade. Keep your second hand on auxiliary handle, or motor housing. If both hands are holding the saw, they cannot be cut by the blade.
- Do not reach underneath the workpiece. The guard cannot protect you from the blade below the workpiece.
- Adjust the cutting depth to the thickness of the workpiece. Less than a full tooth of the blade teeth should be visible below the workpiece.
- Never hold piece being cut in your hands or across your leg. Secure the workpiece to a stable platform. It is important to support the work properly to minimize body exposure, blade binding, or loss of control.
- Hold power tool by insulated gripping surfaces when performing an operation where the cutting tool may contact hidden wiring or its own cord. Contact with a "live" wire will also make exposed metal parts of the power tool "live" and shock the operator.
- When ripping always use a rip fence or straight edge guide. This improves the accuracy of cut and reduces the chance of blade binding.
- Always use blades with correct size and shape (diamond versus round) of arbour holes. Blades that do not match the mounting hardware of the saw will run eccentrically, causing loss of control.
- Never use damaged or incorrect blade washers or bolt. The blade washers and bolt were specially designed for your saw, for optimum performance and safety of operation.

CAUSES AND OPERATOR PREVENTION OF KICKBACK:

- kickback is a sudden reaction to a pinched, bound or misaligned saw blade, causing an uncontrolled saw to lift up and out of the workpiece toward the operator;
- when the blade is pinched or bound tightly by the kerf closing down, the blade stalls and the motor reaction drives the unit rapidly back toward the operator;

- if the blade becomes twisted or misaligned in the cut, the teeth at the back edge of the blade can dig into the top surface of the wood causing the blade to climb out of the kerf and jump back toward the operator.

Kickback is the result of saw misuse and/or incorrect operating procedures or conditions and can be avoided by taking proper precautions as given below.

- Maintain a firm grip with both hands on the saw and position your arms to resist kickback forces. Position your body to either side of the blade, but not in line with the blade. Kickback could cause the saw to jump backwards, but kickback forces can be controlled by the operator, if proper precautions are taken.
- When blade is binding, or when interrupting a cut for any reason, release the trigger and hold the saw motionless in the material until the blade comes to a complete stop. Never attempt to remove the saw from the work or pull the saw backward while the blade is in motion or kickback may occur. Investigate and take corrective actions to eliminate the cause of blade binding.
- When restarting a saw in the workpiece, centre the saw blade in the kerf and check that saw teeth are not engaged into the material. If saw blade is binding, it may walk up or kickback from the workpiece as the saw is restarted.
- Support large panels to minimise the risk of blade pinching and kickback. Large panels tend to sag under their own weight. Supports must be placed under the panel on both sides, near the line of cut and near the edge of the panel.
- Do not use dull or damaged blades. Unsharpened or improperly set blades produce narrow kerf causing excessive friction, blade binding and kickback.
- Blade depth and bevel adjusting locking levers must be tight and secure before making cut. If blade adjustment shifts while cutting, it may cause binding and kickback.
- Use extra caution when making a "plunge cut" into existing walls or other blind areas. The protruding blade may cut objects that can cause kickback.

LOWER GUARD FUNCTION

- Check lower guard for proper closing before each use. Do not operate the saw if lower guard does not move freely and close instantly. Never clamp or tie the lower guard into the open position. If saw is accidentally dropped, lower guard may be bent. Raise the lower guard with the retracting handle and make sure it moves freely and does not touch the blade or any other part, in all angles and depths of cut.

English (original instructions)

- Check the operation of the lower guard spring. If the guard and the spring are not operating properly, they must be serviced before use. Lower guard may operate sluggishly due to damaged parts, gummy deposits, or a build-up of debris.
- Lower guard may be retracted manually only for special cuts such as “plunge cuts” and “compound cuts”. Raise lower guard by retracting handle and as soon as blade enters the material, the lower guard must be released. For all other sawing, the lower guard should operate automatically.
- Always observe that the lower guard is covering the blade before placing saw down on bench or floor. An unprotected, coasting blade will cause the saw to walk backwards, cutting whatever is in its path. Be aware of the time it takes for the blade to stop after switch is released.
- lower guard into the open position. If saw is accidentally dropped, lower guard may be bent. Raise the lower guard only with the Lower Guard Lift Lever and make sure it moves freely and does not touch the blade or any other part, in all angles and depths of cut.
- This product is intended to cut wood and wood-like products only.
- Avoid using solvents when cleaning plastic parts and the guard. Most plastics are susceptible to damage from various types of commercial solvents and may be damaged by their use. Use clean clean cloths to remove dirt, dust, oil, grease,etc.

LASER SAFETY

- Do not stare into beam during operation.
- Do not project the laser beam directly into the eyes of others. Serious eye injury could be caused.
- Do not place the laser in a position that may cause anyone to stare into the laser beam intentionally or unintentionally.
- Do not use optical tools to view the laser beam.
- Do not operate the laser around children or allow children to operate the laser.
- Do not attempt to repair the laser device by yourself.
- Do not attempt to change any parts of the laser device by yourself.
- Any repairs must only be carried out by the laser manufacturer or authorized service agent.
- Do not replace the laser with a different type.

INTENDED USE

You may use this product for cutting all types of wood

MAINTENANCE

- When servicing, use only identical Greenworks Tools replacement parts. Use of any other parts may create a hazard or cause product damage.
- Avoid using solvents when cleaning plastic parts. Most plastics are susceptible to damage from various types of commercial solvents and may be damaged by their use. Use clean cloths to remove dirt, dust, oil, grease, etc.
- Do not attempt to modify this tool or create accessories not recommended for use with this tool.

ENVIRONMENTAL PROTECTION



Recycle raw materials instead of disposing of as waste. The machine, accessories and packaging should be sorted for environmental-friendly recycling.











SAFETY INSTRUCTIONS FOR BATTERY PACK

- Do not dismantle, open or shred secondary battery pack.
- Do not expose battery pack to heat or fire. Avoid storage in direct sunlight.
- Do not short-circuit battery pack. Do not store battery pack haphazardly in a box or drawer where they may short-circuit each other or be short-circuited by other metal objects.
- Do not remove battery from its original battery pack enclosure required for use.
- Do not subject battery pack to mechanical shock.
- In the event of leaking, do not allow the liquid to come in contact with the skin or eyes. If contact has been made, wash the affected area with copious amounts of water and seek medical advice.
- Do not use any charger other than that specifically provided for use with the equipment.
- Observe the plus (+) and minus (–) marks, battery and equipment and ensure correct use.
- Do not use any battery pack which is not designed for use with the equipment.
- Do not mix battery pack with different manufacture, capacity, size or type within a device.
- Keep battery pack out of the reach of children.
- Seek medical advice immediately if battery pack has been swallowed.
- Always purchase the correct cell or battery for the equipment.
- Keep battery pack clean and dry.







English (original instructions)

- Wipe the battery pack terminals with a clean dry cloth if they become dirty.
- Secondary battery pack need to be charged before use. Always use the correct charger and refer to the manufacturer's instructions or equipment manual for proper charging instructions.
- Do not leave a battery pack on prolonged charge when not in use.
- After extended periods of storage, it may be necessary to charge and discharge the cells or battery pack several times to obtain maximum performance.
- Secondary battery pack give their best performance when they are operated at normal room temperature (20 °C ± 5 °C).
- Retain the original product literature for future reference.

SYMBOL


	Safety alert
v	Volts
min⁻¹	Reciprocations per minute
	Direct current
	CE conformity
	Please read the instructions carefully before starting the machine.
	Wear a dust mask
	Wear ear protection
	Wear eye protection
	Laser radiation. Do not stare into beam.
	Recycle
	Waste electrical products should not be disposed of with household waste. Please recycle where facilities exist. Check with your Local Authority or retailer for recycling advice

ICONS IN THIS MANUAL

	Safety
	Getting started
	Operation
	Maintenance
	Safety alert
	Information
	Lock
	Unlock
	Wear safety gloves
	Waiting time

English (original instructions)

PRODUCT SPECIFICATIONS

Motor	24V 
Blade diameter	165mm
Blade Arbor	15.9mm
Cutting Depth at 0°	54mm
Cutting Depth at 45°	41.3mm
No-load speed	4,300/min.(RPM)
Weight	3.45kg
battery pack	29807/29837
charger	29817

Русский (Перевод из первоначальных инструкций)

⚠ ПРЕДУПРЕЖДЕНИЕ

Внимательно прочтите все предупреждения и инструкции. Несоблюдение правил техники безопасности ведет к несчастным случаям: пожару, удару током и тяжелым травмам.

Храните настоящие предупреждения и инструкции для последующих консультаций.

Настоящие правила техники безопасности для электрических инструментов относятся также и к аккумуляторным инструментам.

РАБОЧЕЕ МЕСТО

- Следите за чистотой и освещением рабочего места. Захламленные и плохо освещенные рабочие места ведут к несчастным случаям.
- Не пользуйтесь электрическим инструментом во взрывоопасных местах, например, рядом с легко воспламеняемыми жидкостями, газом или пылью. Искры из электрических инструментов могут воспламенить их или взорвать.
- Не подпускайте детей, посторонних и домашних животных к рабочему месту во время работы электрическим инструментом. Вы можете отвлечься и потерять контроль над инструментом.

ПРАВИЛА ЭЛЕКТРОБЕЗОПАСНОСТИ

- Не пользуйтесь электроинструментом под дождем или в условиях повышенной влажности. Попадание воды внутрь электроинструмента увеличивает опасность поражения электрическим током.

ЛИЧНАЯ БЕЗОПАСНОСТЬ

- Будьте бдительны. При работе электрическими инструментами следите за адекватностью своих действий и решений. Не пользуйтесь инструментом в уставшем состоянии, в состоянии алкогольного или наркотического опьянения, а также под воздействием медикаментов. Помните, что достаточно секунды невнимания, чтобы получить тяжелую травму.
- Пользуйтесь индивидуальными защитными средствами. Всегда защищайте глаза. Во избежание тяжелых травм при необходимости пользуйтесь респиратором, нескользящей обувью, каской и средствами защиты слуха.
- Избегайте случайного запуска инструмента. Прежде чем включать инструмент в сеть и/или вставлять в него аккумулятор проверьте, чтобы выключатель стоял в положении ВЫКЛ. Также производите эту проверку перед транспортировкой инструмента. Во избежание несчастных случаев не переносите инструмент с пальцем на курке и не включайте его в сеть, когда выключатель стоит в положении ВКЛ.

- Перед запуском инструмента выньте из него все затяжные ключи. Затяжной ключ на подвижной детали инструмента может вызвать тяжелые травмы.
- Не вытягивайте руки далеко. Крепко держитесь на ногах. Устойчивое рабочее положение позволяет лучше контролировать инструмент в случае неожиданности.
- Пользуйтесь адекватной одеждой. Не надевайте широкую одежду и бижутерию. Держите волосы, одежду и перчатки подальше от подвижных деталей инструмента. Широкая одежда, бижутерия и длинные волосы могут попасть в подвижные детали.

ИСПОЛЬЗОВАНИЕ И ОБСЛУЖИВАНИЕ ЭЛЕКТРИЧЕСКОГО ИНСТРУМЕНТА

- Не форсируйте инструмент. Используйте инструмент, подходящий для каждой данной работы. Инструмент будет работать производительнее и надежнее в режиме, для которого он был разработан.
- Не пользуйтесь электрическим инструментом, если выключатель не работает. Если инструмент нельзя включить или выключить, это опасно. Его необходимо отремонтировать.
- Храните электрический инструмент подальше от детей. Не доверяйте инструмент рабочим, не знающим его или не прочитавшим настоящее руководство. В руках неопытных рабочих инструменты представляют опасность.
- Заботливо ухаживайте за инструментами. Проверяйте линейность подвижных деталей. Проверяйте целостность всех деталей. Проверяйте сборку инструмента и все элементы, от которых зависит его работа. При поломке деталей ремонтируйте их, прежде чем продолжать использоваться инструментом. Многие несчастные случаи происходят из-за неправильного ухода за инструментами.
- Держите инструменты заточенными и чистыми. Заточенный и чистый режущий инструмент не застрянет при работе и позволит лучше его контролировать.
- Соблюдайте настоящие правила техники безопасности в обращении с инструментом, аксессуарами, насадками и пр. Учитывайте особенности инструмента, рабочего места и предстоящей работы. Во избежание опасных ситуаций, пользуйтесь электрическим инструментом только для тех работ, для которых он предназначен.

ПРАВИЛА ТЕХНИКИ БЕЗОПАСНОСТИ ДЛЯ АККУМУЛЯТОРНЫХ ИНСТРУМЕНТОВ

- Прежде чем устанавливать аккумулятор, проверьте, чтобы выключатель стоял в положении ВЫКЛ или был заблокирован. Установка аккумулятора на включенный инструмент ведет к несчастным случаям.
- Заряжайте аккумулятор только в зарядном устройстве, рекомендованном изготовителем. Зарядное устройство для одних аккумуляторов может вызвать пожар при использовании с другим типом аккумуляторов.

Русский (Перевод из первоначальных инструкций)

- Инструмент должен работать только на специально предназначенном для него аккумуляторе. Использование других аккумуляторов может вызвать пожар.
- В нерабочее время держите аккумулятор подальше от металлических предметов, таких как скрепки, монеты, ключи, винты, гвозди, и любых других предметов, которые могут замкнуть контакты аккумулятора. Короткое замыкание клемм аккумулятора может вызвать ожоги или пожар.
- Избегайте контакта с электролитом в случае его утечки. В случае случайного контакта с электролитом немедленно промойте пораженное место чистой водой. Если электролит попал в глаза, обратитесь к врачу. Электролит может вызвать раздражение или ожог.

ОБСЛУЖИВАНИЕ

- Ремонтные работы должны производиться квалифицированным техником с использованием марочных запчастей. Тогда электрическим инструментом можно работать в полной безопасности.

ОСОБЫЕ ПРАВИЛА БЕЗОПАСНОСТИ

ПРОЦЕДУРЫ РЕЗКИ

- **ОПАСНО! Не держите руки в области резания и режущего диска. Вторую руку кладите на дополнительную рукоятку или корпус двигателя.** Держите инструмент двумя руками, это позволит избежать попадания рук под пильный диск.
- **Не помещайте руки под обрабатываемую деталь.** Защитный кожух не может защитить Вас от лезвия под заготовки.
- **Отрегулируйте глубину пропила в соответствии с толщиной заготовки.** Не допускайте, чтобы пильный диск проходил заготовку более, чем на высоту зуба.
- **Никогда не поддерживайте отпиливаемый материал.** Закрепите изделие на устойчивой платформе. Важно следить за своей безопасностью, избегать заклинивания диска или потери контроля над инструментом.
- **При работе держите инструмент за электроизолирующие поверхности, так как режущая часть может наткнуться на скрытую проводку или сетевой кабель инструмента.** В результате контакта пильного диска с проводом, находящимся под напряжением, металлические части инструмента также могут оказаться под напряжением, что приведет к поражению работающего электрическим током.

- **Во время работы используйте параллельный упор или направляющую.** Это улучшит точность резки и снизит риск заклинивания диска.
- **Всегда используйте пильные диски правильного размера и формы, с соответствующим диаметром посадочного отверстия.** Диски с посадочным отверстием не соответствующим диаметру шпинделя пилы будут работать с биением, что может привести к потере контроля над инструментом.
- **Никогда не используйте поврежденные или нештатные шайбы или болты крепления пильного диска.** Крепеж пильного диска был специально разработан для данного инструмента и обеспечивает наилучшее качество работы и безопасность.

ПРИЧИНЫ ПОТЕРИ КОНТРОЛЯ НАД ИНСТРУМЕНТОМ И СПОСОБЫ ЕЕ ПРЕДОТВРАЩЕНИЯ:

- Отдача - это неожиданная реакция инструмента на удар, заклинивание или биение пильного диска, которая выражается в «подпрыгивании» пилы, выходящей из контакта с заготовкой по направлению к оператору;
- Когда пильный диск теряет скорость в результате заклинивания в заготовке, ответная реакция двигателя отбрасывает пилу по направлению к оператору;
- Если пильный диск установлен неправильно, зубья развернуты в противоположную сторону или имеется биение, удар тыльной стороной зуба о заготовку приведет к подпрыгиванию пилы по направлению к оператору.

Отдача является результатом ненадлежащего использования инструмента и/или неправильной работы оператора, и ее можно избежать путем принятия надлежащих мер предосторожности, которые приводятся ниже.

- **Держите инструмент двумя руками так, чтобы вы могли противостоять отдаче. Стойте сбоку от пильного диска, но не на линии пропила.** При отдаче можно сохранить контроль над инструментом, если предпринять соответствующие меры предосторожности.
- **В случае, если пильный диск останавливается из-за заклинивания или по какой-либо другой причине, выключите пилу и держите ее неподвижно до полной остановки диска. Никогда не пытайтесь перемещать пилу до**

Русский (Перевод из первоначальных инструкций)

полной остановки диска, это может привести к потере контроля над инструментом. Обязательно установите и устраните причину заклинивания.

- **Перед возобновлением работы установите пилу так, чтобы диск оказался в пропилах, но зубья не касались материала.** Если диск будет зажат, пилу может отбросить при включении.
- **Предусматривайте дополнительные упоры при работе с крупногабаритными заготовками, чтобы минимизировать риск защемления диска или отдачу.** Крупные заготовки как правило прогибаются под своим весом. Упоры должны устанавливаться под заготовкой с обеих сторон от линии реза и рядом с краем заготовки.
- **Не используйте тупые или поврежденные пильные диски.** В результате использования изношенного диска получается более узкий пропил, что приводит к увеличению трения и повышает вероятность заклинивания.
- **Рычаги установки глубины пропила и угла резания должны быть жестко зафиксированы до начала работы.** Изменение положения пильного диска во время работы может привести к заклиниванию и отдаче.
- **Будьте осторожны при запиливании в стены или другие «слепые» объекты.** Выступающий с другой стороны объекта диск может наткнуться на неожиданное препятствие, что приведет к обратному удару.

ФУНКЦИОНИРОВАНИЕ НИЖНЕГО ЩИТКА

- **Перед началом работы проверьте правильность работы нижнего защитного кожуха. Не начинайте работать, если нижний защитный кожух не движется легко и не закрывается немедленно. Никогда не пытайтесь зафиксировать нижний защитный кожух в открытом положении.** При падении пилы нижний защитный кожух может быть поврежден. Перед началом работы проверьте, что кожух движется свободно и не соприкасается с пильным диском независимо от глубины погружения диска или угла его наклона.
- **Проверьте правильность работы возвратной пружины нижнего защитного кожуха. В случае неправильной работы, обратитесь в сервисный центр.** Причиной медленного срабатывания нижнего защитного кожуха может быть повреждение деталей пилы или отходы производства, скопившиеся под кожухом.

- **Нижний защитный кожух можно отводить вручную только при выполнении работ особого вида, таких как «врезка» или выполнения сложных резов. Удерживайте нижний кожух за рычаг, после того, как лезвие войдет в материал - отпустите защитный кожух.** Для всех других видов работ защитный кожух должен действовать автоматически.
- **Всегда следите за тем, чтобы нижний защитный кожух был опущен перед тем, как вы положите пилу на верстак или пол.** Отсутствие защиты на движущемся пильном диске приведет к тому, что пила начнет «пятиться», при этом диск будет пилить все на своем пути. Не забывайте о времени, которое требуется для полной остановки пильного диска после нажатия клавиши выключения инструмента.
- **Установите нижний щиток в открытое положение. В случае падения пилы нижний щиток может погнуться. Поднимите нижний щиток с помощью специального подъемного рычага и убедитесь, что он движется свободно и не касается лезвия или каких-либо других деталей при любом угле наклона и любой глубине резки.**
- **Проверьте работу пружины нижнего щитка. Если щиток и пружина работают неправильно, необходимо провести их техническое обслуживание перед использованием.**
- **Всегда следите за тем, чтобы нижний щиток закрывал лезвие, перед тем как опустить пилу на скамейку или на пол.**

ПРАВИЛА ТЕХНИКИ БЕЗОПАСНОСТИ ПРИ РАБОТЕ С ЛАЗЕРОМ

- Не смотрите на лазерный луч во время работы.
- Не направляйте лазерный луч в глаза других лиц. Это может привести к тяжелым нарушениям зрения.
- Не устанавливайте лазер в такое положение, чтобы кто-либо мог намеренно или случайно посмотреть прямо на лазерный луч.
- Не используйте оптических инструментов для рассматривания лазерного луча.
- Не используйте лазер в присутствии детей и не разрешайте им пользоваться лазером.
- Не пытайтесь самостоятельно ремонтировать лазерное устройство.

Русский (Перевод из первоначальных инструкций)

- Не пытайтесь самостоятельно заменить какие-либо части лазерного устройства.
- Любой ремонт должен выполняться только изготовителем лазера или уполномоченным сервисным агентом.
- Не заменяйте лазер лазером другого типа.


НАЗНАЧЕНИЕ

Данный инструмент можно использовать для резания любых видов древесины.


ТЕХНИЧЕСКОЕ ОБСЛУЖИВАНИЕ

- При проведении технического обслуживания используйте только рекомендованные компанией Greenworks tools детали. Использование других запчастей может представлять опасность или повредить изделия.
- Избегайте использования растворителей во время чистки пластмассовых частей. Многие пластмассы под воздействием различных бытовых растворителей повреждаются и могут разрушиться. Для снятия грязи, масла, жира, пыли и т.д. пользуйтесь чистой тряпкой.
- Не пытайтесь модифицировать данный инструмент или создавать вспомогательные приспособления, не рекомендуемые для использования с данным инструментом.

ЗАЩИТА ОКРУЖАЮЩЕЙ СРЕДЫ

 Утилизируйте как сырье, а не выбрасывайте как мусор. Машина, аксессуары и упаковка должны быть отсортированы.

СИМВОЛ

	Внимание
V	Вольт
min ⁻¹	Частота возвратно-поступательных движений в минуту
≡	Постоянный ток
CE	Соответствие требованиям CE

	Перед использованием прибора внимательно ознакомьтесь с данной инструкцией.
	Применяйте средства защиты органов слуха
	Применяйте средства защиты органов зрения
	Носите противопылевую маску
	Лазерное излучение. Не смотрите на луч лазера.
	Повторный цикл
	Отработанная электротехническая продукция должна уничтожаться вместе с бытовыми отходами. Утилизируйте, если имеется специальное техническое оборудование. По вопросам утилизации проконсультируйтесь с местным органом власти или предприятием розничной торговли.


ОБОЗНАЧЕНИЯ, ИСПОЛЬЗУЕМЫЕ В ДАННОМ РУКОВОДСТВЕ

	Безопасность
	Перед началом работы
	Эксплуатация
	Техническое обслуживание
	Внимание

Русский (Перевод из первоначальных инструкций)

	Примечание
	Зафиксировать
	Расцепить
	Надевайте защитные перчатки
	Необходимо подождать

ТЕХНИЧЕСКИЕ ХАРАКТЕРИСТИКИ

Напряжение	24 V 
Диаметр режущего диска	165mm
щпиндель режущего диска	15.9mm
Глубина резания при 0°	54mm
Глубина резания при 45°	41.3mm
Скорость на холостом ходу	0-2700/min. (RPM)
Вес	3.45kg
Аккумулятор	29807/29837
Зарядное устройство	29817



Politique de garantie de Greenworks Tools pour les outils de bricolage

PÉRIODE DE LA GARANTIE

Tous les nouveaux outils Greenworks Tools sont livrés avec une garantie de 2 ans protégeant l'outil contre les défauts de matériau et main d'œuvre à partir de la date d'achat originale. Une garantie de 30 jours est disponible pour les outils utilisés à titre professionnel, car les outils Greenworks sont principalement conçus pour être utilisés par des bricoleurs. Cette garantie est incessible.

LIMITATIONS

Cette garantie s'applique uniquement aux pièces/composants défectueux et ne couvre pas les réparations dues à :

1. L'usure normale.
2. Une amélioration ou un réglage de routine.
3. Les dommages causés par une manutention inadéquate/un abus/une utilisation inadéquate ou une négligence.
4. Une surchauffe due à une manque de maintenance.
5. Les dommages dus à des fixations/installations se desserrant/détachant en raison d'un manque de maintenance.
6. Les dommages causés par un nettoyage à l'eau.
7. Les outils entretenus ou réparés par un centre de réparation non agréé par Greenworks Tools.
8. Les outils assemblés ou réglés de manière incorrecte.
9. Les dommages causés par une utilisation inadéquate de l'outil.
10. Les dommages causés par un aménagement pour l'hiver inadéquat (nettoyeur à haute pression).
11. Les éléments considérés par des consommables ne sont pas normalement couverts par la garantie, cela inclut mais ne se limite pas aux éléments suivants :

- Piles
- Câbles électriques
- Lames et assemblages des lames
- Courroies
- Filtres
- Mandrins et supports pour outils

12. Certains produits peuvent contenir des composants comme des moteurs, des transmissions d'un autre fabricant, ces éléments sont soumis à la politique de garantie du fabricant respectif, sauf si Greenworks Tools Europe GmbH accepte de garantir des réparations en dehors de la période de garantie dudit fabricant.
13. Les outils d'occasion ne sont pas couverts par cette politique de garantie.
14. L'installation des pièces de rechange ou accessoires supplémentaires non fournis ou approuvés par Greenworks Tools Europe GmbH.

Garantie

Une preuve d'achat est requise pour faire valoir la garantie d'un produit liée à cette politique. Le relevé de carte de crédit ne constitue pas une preuve d'achat suffisante. En cas de problème couvert par la garantie, le consommateur doit apporter le produit et sa preuve d'achat au lieu d'achat original. L'appareil sera par la suite expédié à un centre de réparation afin d'y être examiné. En présence de dommage, l'appareil sera réparé et renvoyé gratuitement à l'adresse du consommateur. Il convient de noter que les appareils dont le prix de vente est inférieur à 100 € euros (TTC) sont généralement remplacés par un produit neuf.

Si le centre de réparation juge que l'appareil n'est pas défectueux, il avertira le consommateur qu'il devra payer le coût de la réparation.

Cette politique de garantie est soumise à des modifications régulières, celles-ci visent à s'adapter aux nouveaux produits. Une copie de la politique de garantie est disponible à l'adresse www.greenworkstools.eu.



Greenworks Tools Warranty Policy for DIY machines

PERIOD OF WARRANTY

All new Greenworks Tools machinery is supplied with a 2 year parts and labour warranty from original date of purchase. A 30 day warranty is available for machines used professionally as Greenworks Tools are designed primarily to be used by DIY consumers. This warranty is non-transferable.

LIMITATIONS

This warranty applies only to defective parts/components and does not cover repairs due to:

1. Normal wear and tear.
2. Routine tune up or adjustment.
3. Damage caused by improper handling/abuse/misuse or neglect.
4. Overheating due to lack of maintenance.
5. Damage due to fittings/fasteners becoming loose/detached through lack of maintenance.
6. Damage caused by cleaning with water.
7. Machines serviced or repaired by non-authorized Greenworks Tools service centres.
8. Machines incorrectly assembled or adjusted.
9. Damage caused by improper use of the machine.
10. Damage caused by improper winterisation (pressure washers)
11. Items considered as consumable parts are not normally covered by the warranty, including but not limited to:
 - Batteries
 - Electric cables
 - Blade and blade assemblies
 - Belts
 - Filters
 - Chucks and tool holders
12. Certain products may contain components such as engines, transmissions from an alternative manufacturer, these items will be subject to the appropriate manufacturer's warranty policy except where Greenworks Tools Europe GmbH agrees to underwrite any claims outside the said manufacturer's warranty period.
13. Second hand goods are not covered under this warranty policy.
14. The fitting of spares, replacements or extra components which are not supplied or approved by Greenworks Tools Europe GmbH.

Warranty

To claim a warranty on any product under this policy a proof of original purchase is required. Credit card statement do not qualify as sufficient proof of purchase. In the first instance of a warranty event occurring the consumer should return the product to the original place of purchase with their proof of purchase. The machine will be sent to our central service facility and an inspection made. If the machine be found to be at fault it will be repaired and sent back to the address of the consumer free of charge. Machines that retail for less than €100 euros including sales taxes will generally be replaced.

If the central service facility finds that machine is not found to be at fault then the consumer will be advised they will need to pay for the cost of the repair.

This warranty policy is subject to change from time to time to accommodate the needs of new products. A copy of the latest warranty policy will be available at www.greenworkstools.eu.



Зáруční podmínky nástrojů Greenworks pro hobby zařízení

ДОБА ЗÁРУКУ

Všechna nová zařízení Greenworks Tools jsou dodávána s 2letou zárukou na díly a provoz od původního data zakoupení. Záruka 30 dnů je poskytována na zařízení používané profesionálně, protože nástroje Greenworks Tools jsou navrženy především k používání hobby spotřebiteli.

Tato záruka je nepřevoditelná.

ОМЕЗЕНІ

Tato záruka se vztahuje pouze na vadné díly nebo komponenty a netýká se oprav, které byly způsobeny:

1. Běžným opotřebením a nošením;
2. Rutinním seřizením a nastavením;
3. Škodami způsobenými nesprávnou manipulací, hrubým zacházením, nevhodným používáním nebo zanedbáním;
4. Přehřátím kvůli nedostatku údržby;
5. Poškozením z důvodu údržby, uvolněním upevňovacích prvků nebo rozpojením způsobeným nedostatečnou údržbou;
6. Poškozením způsobeným čištěním vodou;
7. Servisními pracemi nebo opravami zařízení neautorizovanými servisními středisky Greenworks Tools;
8. Nesprávným sestavením nebo nastavením zařízení;
9. Poškozením způsobeným nesprávným používáním zařízení;
10. Poškozením způsobeným nesprávnou přípravou na zimu (tlakové myčky).
11. Na položky, které jsou považovány za spotřební díly, se normálně nevztahuje záruka, včetně, ale nikoli výhradně na:
 - Baterie
 - Elektrické kabely
 - Čepele a sestavy čepele
 - Pásy
 - Filtry
 - Sklíčidla a držáky nástrojů
12. Některé produkty mohou obsahovat součásti, jako jsou motory, převodovky od alternativního výrobce. Na tyto položky se budou vztahovat záruční podmínky příslušného výrobce vyjma těch případů, kde společnost Greenworks Tools Europe GmbH souhlasí s tím, že se zaručí za veškeré nároky mimo záruku uvedeného výrobce.
13. Tyto záruční podmínky se nevztahují na použité zboží.
14. Záruka se nevztahuje na montáž náhradních dílů, výměnu nebo zvláštní komponenty, které nejsou dodávány nebo schváleny společností Greenworks Tools Europe GmbH.

Зáрука

Nárokování záruky na výrobek v rámci těchto podmínek vyžaduje doklad od zakoupení. Výpis z kreditní karty se nepovažuje za dostatečný důkaz o zakoupení. Pokud nastane událost spojená s nárokováním záruky, v první řadě musí spotřebitel produkt vrátit do původního místa nákupu s dokladem o zakoupení. Zařízení bude zasláno do našeho centrálního servisního podniku, kde bude provedena jeho kontrola. Je-li zařízení vadné, bude bezplatně opraveno a zasláno zpět na adresu spotřebitele. Záruční, jejichž maloobchodní cena byla menší nebo rovna 100 EUR včetně DPH, budou obvykle vyměněna.

Jestliže centrální servisní podnik zjistí, že stroj není vadný, pak bude spotřebitel na tuto skutečnost upozorněn a bude muset zaplatit za náklady na opravu.

Tyto záruční podmínky se mohou čas od času změnit, aby vyhovovaly potřebám nových výrobků. Kopie nejnovějších záručních podmínek bude k dispozici na webu www.greenworkstools.eu.



Гарантийные обязательства компании Greenworks Tools в отношении агрегатов для дома и строительства

СРОК ГАРАНТИИ

Все новые агрегаты поставляются, в случае домашнего использования, с 2-летней гарантией от первоначальной даты покупки на запчасти и работу по ремонту, и 1 год на аккумуляторные батареи и, в случае коммерческого использования, с гарантией 90 дней от первоначальной даты покупки на запчасти и работу по ремонту.

На профессиональную технику 80Вольт и аккумуляторные ручные инструменты 24Вольт (отвертки, дрели, лобзики, циркулярная пила, гайковерты, фонарик, мульти-устройство) действует гарантия в 1 год. Эта гарантия не подлежит передаче.

ОГРАНИЧЕНИЯ

Настоящая гарантия распространяется только на дефектные части / компоненты и не охватывает ремонт, который потребовался как следствие:

1. Нормального износа.
2. Плановой настройки или регулировки.
3. Ущерба, причиненный в результате неправильного обращения / ненадлежащего использования или пренебрежения.
4. Перегрев из-за отсутствия технического обслуживания.
5. Повреждения, вызванные разбалтыванием / отсоединением фитингов / крепежных деталей, из-за отсутствия технического обслуживания.
6. Повреждения, вызванные очисткой при помощи воды.
7. Агрегаты, обслуживание или ремонт которых проводился не авторизованными сервисными центрами компании GREENWORKS.
8. Агрегаты, неправильно собранные или отрегулированные.
9. Повреждения, вызванные неправильным использованием агрегата.
10. Ущерб, причиненный в результате неправильной подготовки к эксплуатации в зимний период (мощные устройства высокого давления).
11. Позиции, рассматриваемые в качестве расходных деталей, и обычно не покрываемые гарантией, включая, но не ограничиваясь, следующим:
 - Электрические кабели
 - Ножи и режущие полотна
 - Ремни
 - Фильтры
 - Зажимные устройства и держатели инструмента
12. Подержанные товары не подпадают под данные гарантийные обязательства.
13. Установка запчастей, сменных деталей или дополнительных компонентов, которые не поставляются компанией Greenworks Tools Europe GmbH, или не утверждены этой компанией.

Гарантия

Чтобы подать заявку на гарантийное обслуживание какого-либо продукта в рамках данных гарантийных обязательств, требуется доказательство первоначальной покупки. Доказательство покупки включает в себя одно из:

- Квитанция розничного продавца
- Счет, подтверждающий покупку в Интернете
- Копия свидетельства о регистрации продукта

Продукт необходимо зарегистрировать на сайте:

www.greenworkstools.ru

Выписка по кредитной карте не считается достаточным доказательством покупки. В первую очередь, при возникновении гарантийного случая потребитель должен обратиться в авторизованный сервис, или к импортеру, указанных в инструкции, или на сайте www.Greenworkstools.eu с соответствующим доказательством покупки. Агрегат будет отправлен в наш центральный сервисный центр и там проведена проверка. Если будет установлено, что агрегат неисправен, то он будет бесплатно отремонтирован. Агрегаты, которые продаются в розницу менее чем за 7 000 рублей, включая налоги с продаж, как правило, подлежат замене. Если установлено, что агрегат не является не гарантийным случаем, то потребителю будет предложено оплатить ремонт.

Настоящие гарантийные обязательства подлежат периодическим изменениям, чтобы удовлетворить потребности новой продукции. Копия последней редакции гарантийных обязательств будет доступна на сайте www.greenworkstools.eu и на русскоязычной версии сайта www.greenworkstools.ru.

Адрес сервисной и гарантийной службы в России:
Горячая линия: +74997132292

Россия, Москва, 2-й Грайворонский проезд 48
Техносервис
Продовная завода «Сатурн»
ИП Осипян
+74997132292

**FR** DÉCLARATION DE CONFORMITÉ EC

Fabricant: Changzhou Globe Co., Ltd.
 Adresse: No.65 Xinggang Road Zhonglou Zone Changzhou, Jiangsu 213000 P.R.China
 Nom et adresse de la personne habilitée à établir le dossier technique:
 Gary Gao Naixin (Vice président de l'Ingénierie)
 Greenworks Tools Europe GmbH, Wankelstrasse 40. 50996 Kohn Germany


Déclarons par la présente que le produit

Catégorie: 24V SCIE CIRCULAIRE
 Modèle: 1500107a
 Numéro de série: Voir plaque signalétique
 Année de fabrication: Voir plaque signalétique

est conforme aux réserves applicables de la Directive Machinerie 2006/42/EC; 2014/30/EU; Directive ROHs 2011/65/EU.

Nous déclarons par ailleurs que les parties suivantes (parties/clauses des) standards Européens harmonisés ont été utilisées
 EN 60745, EN 60745-2-5, EN55014-1, EN55014-2

Niveau de pression sonore garanti LpA=87dB, K =3
 Niveau de puissance sonore garanti LWA98dB
 Niveau de vibrations <4.336m/s², K =1.5


 Gary Gao Naixin (BEng, CEng, MIET)
 Vice président de l'Ingénierie

EN EC DECLARATION OF CONFORMITY

Manufacturer: Changzhou Globe Co., Ltd.
 Address: No.65 Xinggang Road Zhonglou Zone Changzhou, Jiangsu 213000 P.R.China
 Name and address of the person authorised to compile the technical file:
 Gary Gao Naixin (Vice President of Engineering)
 Greenworks Tools Europe GmbH, Wankelstrasse 40. 50996 Kohn Germany

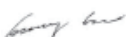
Herewith we declare that the product

Category: 24V CIRCULAR SAW
 Model: 1500107a
 Serial number: See product rating label
 Year of Construction: See product rating label

is in conformity with the relevant provisions of the Machinery Directive 2006/42/EC; 2014/30/EU; Directive ROHs 2011/65/EU.

And furthermore, we declare that the following (parts/clauses of) European harmonised standards have been used
 EN 60745, EN 60745-2-5, EN55014-1, EN55014-2

Sound pressure level LpA=87dB, K =3
 Guaranteed sound power level LWA98dB
 Maximum vibration <4.336m/s², K =1.5


 Gary Gao Naixin (BEng, CEng, MIET)
 Vice President of Engineering

DE EC KONFORMITÄTSERKLÄRUNG

Hersteller: Changzhou Globe Co., Ltd.
 Adresse: No.65 Xinggang Road Zhonglou Zone Changzhou, Jiangsu 213000 P.R.China
 Name und Adresse der Person, die autorisiert ist, die technische Dokumentation zusammenzustellen:
 Gary Gao Naixin (Vizepräsident Technik)
 Greenworks Tools Europe GmbH, Wankelstrasse 40. 50996 Kohn Germany

Hiermit erklären wir, dass die Produkte

Kategorie: 24V KREISSÄGE
 Modell: 1500107a
 Seriennummer: siehe Produkt-Typenschild
 Baujahr: siehe Produkt-Typenschild

mit den entsprechenden Bestimmungen der Maschinenrichtlinie 2006/42/EC; 2014/30/EU; RoHS-Richtlinie 2011/65/EU.

und weiterhin erklären wir, dass die folgenden (Teile/Bestimmungen aus) europäischen harmonisierten Normen verwendet wurden
 EN 60745, EN 60745-2-5, EN55014-1, EN55014-2

Garantierter Schalldruckpegel LpA =87dB, K =3
 Garantierter Schallenergiepegel LWA 98dB
 Vibrationspegel <4.336m/s², K =1.5


 Gary Gao Naixin (BEng, CEng, MIET)
 Vizepräsident Technik

ES DECLARACIÓN EC DE CONFORMIDAD

Fabricante: Changzhou Globe Co., Ltd.
 Dirección: No.65 Xinggang Road Zhonglou Zone Changzhou, Jiangsu 213000 P.R.China
 Nombre y dirección de la persona autorizada para compilar el expediente técnico:
 Gary Gao Naixin (Vicepresidente de Ingeniería)
 Greenworks Tools Europe GmbH, Wankelstrasse 40. 50996 Kohn Germany

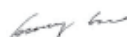
Por la presente declaramos que los productos

Categoría: SIERRA CIRCULAR 24V
 Modelo: 1500107a
 Número de serie: Ver etiqueta de clasificación de productos
 Año de fabricación: Ver etiqueta de clasificación de productos

está en conformidad con las disposiciones pertinentes de la Directiva de Maquinaria 2006/42/EC; 2014/30/UE; Directiva RoHS 2011/65/UE.

Y además, declaramos que se han utilizado las siguientes (partes o cláusulas de las) normas armonizadas europeas
 EN 60745, EN 60745-2-5, EN55014-1, EN55014-2

Nivel de presión sonora garantizado LpA=87 dB, K =3
 Nivel de potencia acústica garantizado LWA98dB
 Nivel de vibración <4.336m/s², K =1.5


 Gary Gao Naixin (BEng, CEng, MIET)
 Vicepresidente de Ingeniería



**CS** PROHLÁŠENÍ O SHODĚ EC

Výrobce: Changzhou Globe Co., Ltd.
Adresa: No.65 Xinggang Road Zhonglou Zone Changzhou, Jiangsu 213000 P.R.China
Jméno a adresa osoby pověřené řídít technickou dokumentaci:
Gary Gao Naixin (Viceprezident pro strojírenství)
Greenworks Tools Europe GmbH, Wankelstrasse 40. 50996 Koln Germany


Tímto prohlašujeme, že výrobky

Druh: 24 V ROTAČNÍ PILA
Model: 1500107a
Výrobní číslo: Viz výkonový štítek na výrobcích
Rok výroby: Viz výkonový štítek na výrobcích

je v souladu s příslušnými ustanoveními směrnice o strojích 2006/42/EC; 2014/30/EU; Směrnice 2011/65/EU o nebezpečných látkách.

A mimoto prohlašujeme, že
byly použity následující (části/odstavce) harmonizované evropské normy
EN 60745, EN 60745-2-5, EN55014-1, EN55014-2

Zaručená hladina akustického tlaku LpA=87dB, K =3
Zaručená hladina akustického výkonu LwA98dB
Úroveň vibrací <4.336m/s², K =1.5


Gary Gao Naixin (BEng, CEng, MIET)
Viceprezident pro strojírenství

RU ЗАЯВЛЕНИЕ О ОТВЕТВИИ ТРЕБОВАНИЯМ ЕС

Производитель: Changzhou Globe Co., Ltd.
Адрес: No.65 Xinggang Road Zhonglou Zone Changzhou, Jiangsu 213000 P.R.China
Имя и адрес лица, ответственного за подготовку технической документации:
Gary Gao Naixin (Вице-президент по разработкам)
Greenworks Tools Europe GmbH, Wankelstrasse 40. 50996 Koln Germany


Настоящим мы заявляем, что данный продукт

Категория: ЦИРКУЛЯРНАЯ ПИЛА 24 В
Модель: 1500107a
Заводской номер: См. паспортную табличку продукта
Год выпуска: См. паспортную табличку продукта

соответствует всем важнейшим положениям Директивы по механическому оборудованию 2006/42/EC; 2014/30/EU; Директива RoHS 2011/65/EC.

Кроме этого, мы заявляем, что
были использованы следующие части или статьи европейские
согласованных стандартов
EN 60745, EN 60745-2-5, EN55014-1, EN55014-2

Гарантированный уровень звукового давления LpA=87dB, K =3
Гарантированный уровень звуковой мощности LwA98dB
Уровень вибрации <4.336m/s², K =1.5


Gary Gao Naixin (BEng, CEng, MIET)
Вице-президент по разработкам

RO DECLARAȚIE DE CONFORMITATE EC

Producător: Changzhou Globe Co., Ltd.
Adresa: No.65 Xinggang Road Zhonglou Zone Changzhou, Jiangsu 213000 P.R.China
Numele și adresa persoanei autorizate să întocmească dosarul tehnic:
Gary Gao Naixin (Președintele Vice Inginerie Departament)
Greenworks Tools Europe GmbH, Wankelstrasse 40. 50996 Koln Germany


Prin prezenta, declarăm că produsele

Categoria: FERĂSTRĂU CIRCULAR LA 24V
Model: 1500107a
Număr de serie: A se vedea eticheta de clasificare a produselor
Anul de fabricație: A se vedea eticheta de clasificare a produselor

este în conformitate cu prevederile relevante ale Directivei privind echipamentele electrice 2006/42/EC; 2014/30/UE; Directiva ROHs pe 2011/65/UE

Și mai mult, declarăm că au fost folosite
următoarele (părți/clauze ale) standarde(lor) europene armonizate
EN 60745, EN 60745-2-5, EN55014-1, EN55014-2

Nivel de presiune acustică garantat LpA=87dB, K =3
Nivel de putere acustică garantat LwA98dB
Nivelul vibrațiilor <4.336m/s², K =1.5


Gary Gao Naixin (BEng, CEng, MIET)
Președintele Vice Inginerie Departament

PL DEKLARACJA ZGODNOŚCI EC

Producent: Changzhou Globe Co., Ltd.
Adres: No.65 Xinggang Road Zhonglou Zone Changzhou, Jiangsu 213000 P.R.China
Nazwisko i adres osoby uprawnionej do sporządzenia dokumentacji technicznej:
Gary Gao Naixin (Wiceprezes ds. technologii)
Greenworks Tools Europe GmbH, Wankelstrasse 40. 50996 Koln Germany

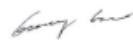
Niniejszym deklarujemy, że produkty

Kategoria: PILARKA TARCZOWA 24 V
Model: 1500107a
Numer seryjny: Zobacz tabliczkę znamionową
Rok produkcji: Zobacz tabliczkę znamionową

jest zgodny z odpowiednimi wymogami Dyrektywy dotyczącej maszyn 2006/42/EC; 2014/30/UE; Dyrektywa RoHS 2011/65/UE.

Ponadto deklarujemy, że
zastosowano następujące zharmonizowane normy europejskie (w odpowiednim dla tego produktu zakresie):
EN 60745, EN 60745-2-5, EN55014-1, EN55014-2

Maksymalny poziom ciśnienia akustycznego LpA=87dB, K =3
Maksymalny poziom natężenia hałasu LwA98dB
Poziom drgań <4.336m/s², K =1.5


Gary Gao Naixin (BEng, CEng, MIET)
Wiceprezes ds. technologii

