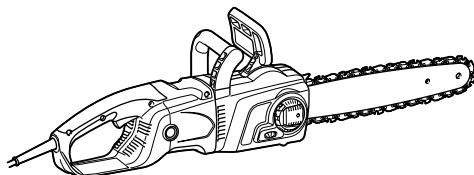
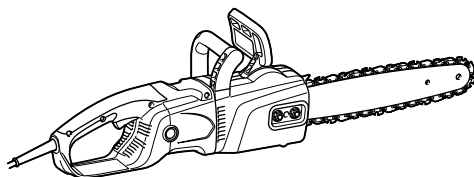
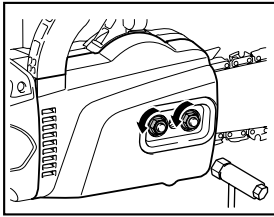




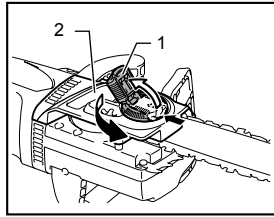
GB	Electric Chain Saw	INSTRUCTION MANUAL
S	Elektrisk kedjesåg	BRUKSANVISNING
N	Elektrisk kjedesag	BRUKSANVISNING
FIN	Sähkömoottorisaha	KÄYTTÖOHJE
LV	Elektriskais motorzāģis	LIETOŠANAS INSTRUKCIJA
LT	Elektrinis grandininis pjūklas	NAUDOJIMO INSTRUKCIJA
EE	Elektriline kettsaag	KASUTUSJUHEND
RUS	Электрическая Цепная Пила	РУКОВОДСТВО ПО ЭКСПЛУАТАЦИИ

UC3050A
UC3550A
UC3550AP
UC4050A
UC4550A
UC3051A
UC3551A
UC4051A
UC4551A

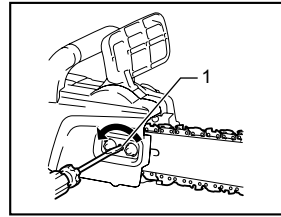




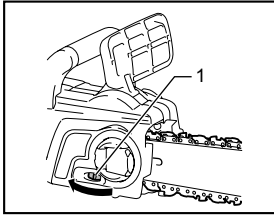
1 014453



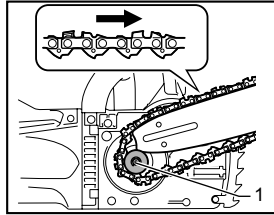
2 014393



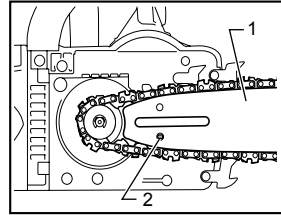
3 014515



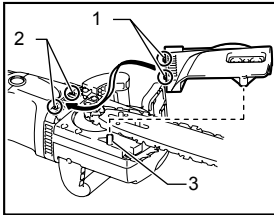
4 014516



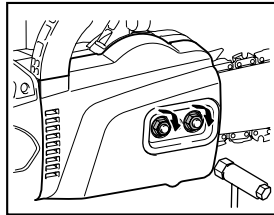
5 014457



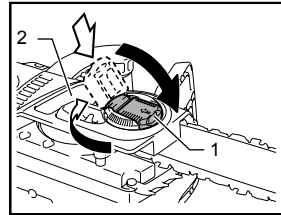
6 014448



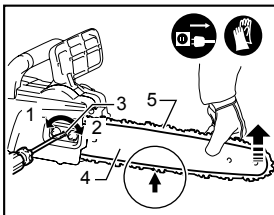
7 014380



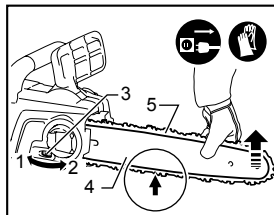
8 014454



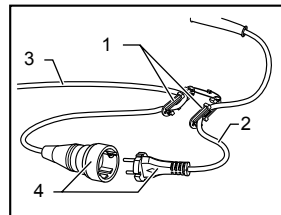
9 014394



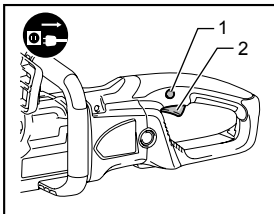
10 014680



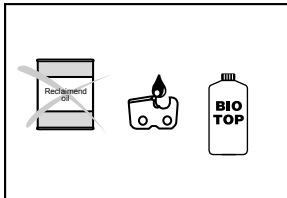
11 014682



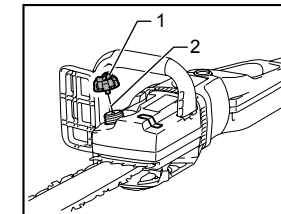
12 014359



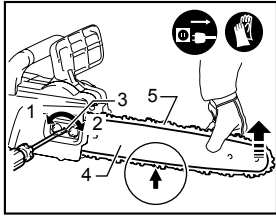
13 014376



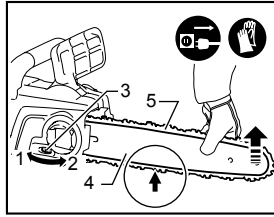
14 006921



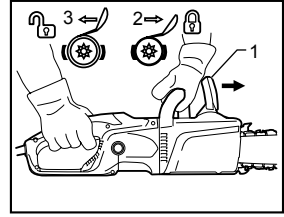
15 014386



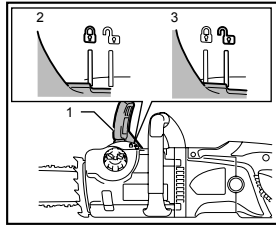
16 014680



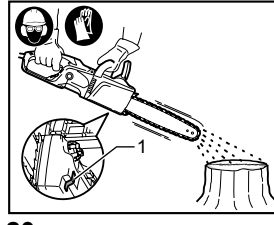
17 014682



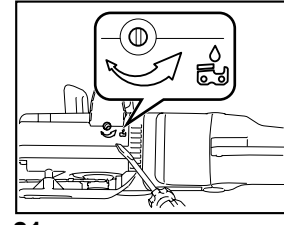
18 014387



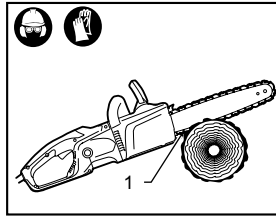
19 014439



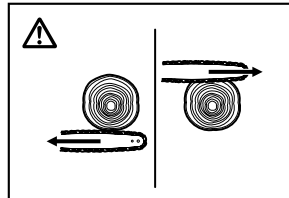
20 014517



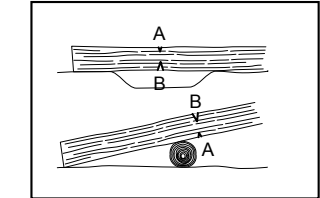
21 014392



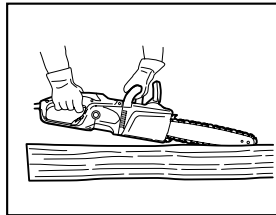
22 014389



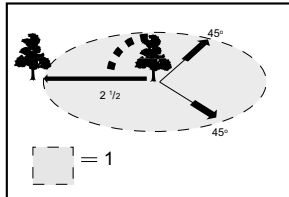
23 006914



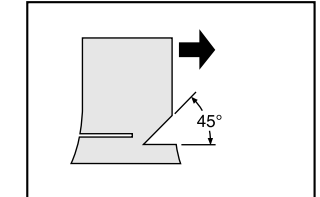
24 006915



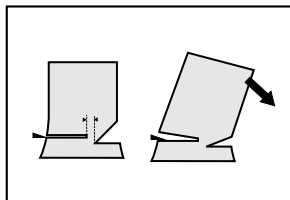
25 014390



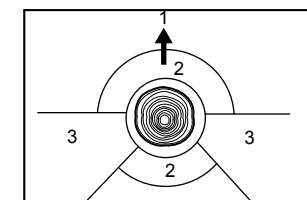
26 006917



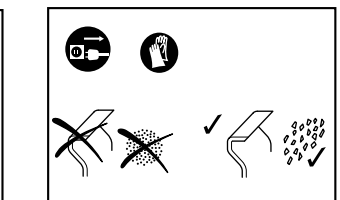
27 006918



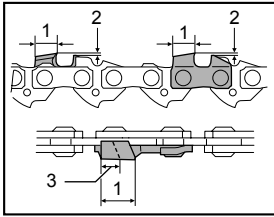
28 006923



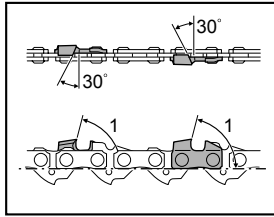
29 009202



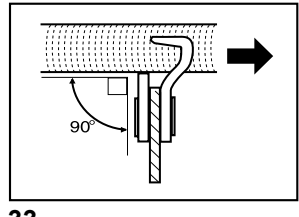
30 006924



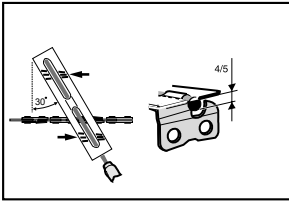
31 014456



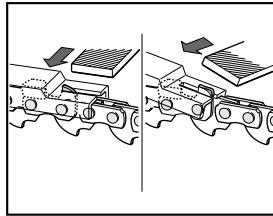
32 014455



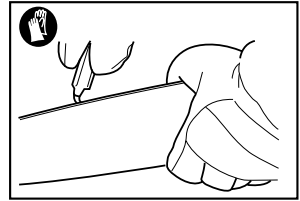
33 006927



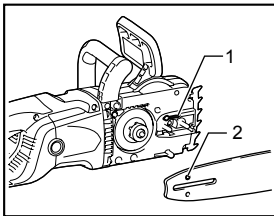
34 006928



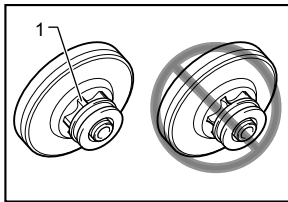
35 014344



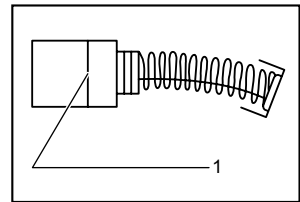
36 006930



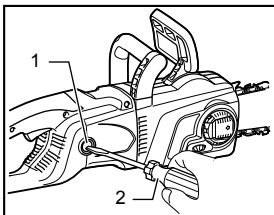
37 014391



38 014513



39 001145



40 014395

ENGLISH (Original instructions)

Explanation of general view

2-1. Lever	12-1. Cord hook	19-1. Front hand guard
2-2. Sprocket cover	12-2. Tool's cord	19-2. Unlock
3-1. Adjusting screw	12-3. Extension cord	19-3. Lock
4-1. Adjusting dial	12-4. Plug and socket (the shape may differ from country to country)	20-1. Oil level sight
5-1. Sprocket	13-1. Lock-off button	22-1. Spike bumper
6-1. Guide bar	13-2. Switch trigger	26-1. Felling area
6-2. Hole	15-1. Oil filler cap	29-1. Felling direction
7-1. Hook	15-2. Strap	29-2. Danger zone
7-2. Hole	16-1. Loosen	29-3. Escape route
7-3. Pin	16-2. Tighten	31-1. Cutting length
9-1. Lever	16-3. Chain adjusting screw	31-2. Distance between cutting edge and depth gauge
9-2. Sprocket cover	16-4. Guide bar	31-3. Minimum 3 mm
10-1. Loosen	16-5. Saw chain	32-1. Side plate angle
10-2. Tighten	17-1. Loosen	37-1. Oil guide groove
10-3. Chain adjusting screw	17-2. Tighten	37-2. Oil feed hole
10-4. Guide bar	17-3. Adjusting dial	38-1. Sprocket
10-5. Saw chain	17-4. Guide bar	39-1. Limit mark
11-1. Loosen	17-5. Saw chain	40-1. Brush holder cap
11-2. Tighten	18-1. Front hand guard	40-2. Screwdriver
11-3. Adjusting dial	18-2. Lock	
11-4. Guide bar	18-3. Unlock	
11-5. Saw chain		

SPECIFICATIONS





Model		UC3050A	UC3051A	UC3550A	UC3550AP	UC3551A	UC4050A	UC4051A	UC4550A	UC4551A
Max. chain speed		14.5 m/s (870 m/min)								
Standard guide bar	Bar length	300 mm			350 mm		400 mm		450 mm	
	Cutting length	260 mm			320 mm		355 mm		415 mm	
	Guide bar type	Sprocket nose bar								
Standard saw chain	Type	91PX								
	Pitch	3/8"								
	No. of drive links	46		52			56		62	
Recommended guide bar length		300 - 450 mm								
Overall length (without guide bar)		505 mm								
Net weight		5.4 kg	5.5 kg	5.5 kg	5.6 kg	5.5 kg	5.6 kg		5.7 kg	
Extension cable (optional)		DIN 57282/HO 7RN -F L=30 m max.,3x1.5 mm ²								

- Due to our continuing program of research and development, the specifications herein are subject to change without notice.
- Specifications may differ from country to country.
- Weight according to EPTA-Procedure 01/2003

END218-7

Symbol

The following show the symbols used for the equipment. Be sure that you understand their meaning before use.

-  Read instruction manual and follow the warnings and safety instructions.
-  Wear eye protection.
-  Wear ear protection.
-  DOUBLE INSULATION



- Caution: particular care and attention required!
- Caution: withdraw the mains plug immediately if the cable is damaged!
- Caution: kickback!
- Protect against rain and damp!
- Wear a helmet, goggles and ear protection!
- Wear safety gloves!



- Withdraw the mains plug!



- First aid



- Maximum permissible length of cut



- Direction of chain travel



- Chain oil



- Chain brake released



- Chain brake applied



- Prohibited!



- Only for EU countries
Do not dispose of electric equipment together with household waste material!

In observance of the European Directive, on Waste Electric and Electronic Equipment and its implementation in accordance with national law, electric equipment that have reached the end of their life must be collected separately and returned to an environmentally compatible recycling facility.

ENE085-1

Intended use

The tool is intended for cutting lumbers and logs.

ENF002-2

Power supply

The tool should be connected only to a power supply of the same voltage as indicated on the nameplate, and can only be operated on single-phase AC supply. They are double-insulated and can, therefore, also be used from sockets without earth wire.

ENG905-1

Noise

The typical A-weighted noise level determined according to EN60745:

Sound pressure level (L_{pA}) : 90.8 dB (A)

Sound power level (L_{WA}) : 101.8 dB (A)

Uncertainty (K) : 2.5 dB (A)

Wear ear protection

ENG900-1

Vibration

The vibration total value (tri-axial vector sum) determined according to EN60745:

Work mode : cutting wood

Vibration emission (a_h) : 5.2 m/s²

Uncertainty (K) : 1.5 m/s²

- The declared vibration emission value has been measured in accordance with the standard test method and may be used for comparing one tool with another.
- The declared vibration emission value may also be used in a preliminary assessment of exposure.

⚠WARNING:

- The vibration emission during actual use of the power tool can differ from the declared emission value depending on the ways in which the tool is used.
- Be sure to identify safety measures to protect the operator that are based on an estimation of exposure in the actual conditions of use (taking account of all parts of the operating cycle such as the times when the tool is switched off and when it is running idle in addition to the trigger time).

ENH021-8

For European countries only

EC Declaration of Conformity

Makita declares that the following Machine(s):

Designation of Machine:

Chain Saw

Model No./ Type: UC3050A, UC3550A, UC4050A, UC4550A, UC3051A, UC3551A, UC3550AP, UC4051A, UC4551A

Specifications: see "SPECIFICATIONS" table.

Conforms to the following European Directives:

2000/14/EC, 2006/42/EC

They are manufactured in accordance with the following standard or standardized documents:

EN60745

The technical file in accordance with 2006/42/EC is available from:

Makita, Jan-Baptist Vinkstraat 2, 3070, Belgium

The conformity assessment procedure required by Directive 2000/14/EC was in Accordance with annex V Measured Sound Power Level: 101.9 dB (A)
Guaranteed Sound Power Level: 103 dB (A)

8.5.2014

Yasushi Fukaya
Director

Makita, Jan-Baptist Vinkstraat 2, 3070, Belgium

000331

General Power Tool Safety Warnings

⚠ WARNING Read all safety warnings and all instructions. Failure to follow the warnings and instructions may result in electric shock, fire and/or serious injury.

Save all warnings and instructions for future reference.

GEB037-8

Chain saw safety warnings

1. **Keep all parts of the body away from the saw chain when the chain saw is operating. Before you start the chain saw, make sure the saw chain is not contacting anything.** A moment of inattention while operating chain saws may cause entanglement of your clothing or body with the saw chain.
2. **Always hold the chain saw with your right hand on the rear handle and your left hand on the front handle.** Holding the chain saw with a reversed hand configuration increases the risk of personal injury and should never be done.
3. **Hold the power tool by insulated gripping surfaces only, because the saw chain may contact hidden wiring or its own cord.** Saw chains contacting a "live" wire may make exposed metal parts of the power tool "live" and could give the operator an electric shock.
4. **Wear safety glasses and hearing protection. Further protective equipment for head, hands, legs and feet is recommended.** Adequate protective clothing will reduce personal injury by flying debris or accidental contact with the saw chain.
5. **Do not operate a chain saw in a tree.** Operation of a chain saw while up in a tree may result in personal injury.
6. **Always keep proper footing and operate the chain saw only when standing on fixed, secure and level surface.** Slippery or unstable surfaces such as ladders may cause a loss of balance or control of the chain saw.
7. **When cutting a limb that is under tension be alert for spring back.** When the tension in the wood fibres is released the spring loaded limb may strike the operator and/or throw the chain saw out of control.
8. **Use extreme caution when cutting brush and saplings.** The slender material may catch the saw chain and be whipped toward you or pull you off balance.
9. **Carry the chain saw by the front handle with the chain saw switched off and away from your body. When transporting or storing the**

chain saw always fit the guide bar cover. Proper handling of the chain saw will reduce the likelihood of accidental contact with the moving saw chain.

10. **Follow instructions for lubricating, chain tensioning and changing accessories.** Improperly tensioned or lubricated chain may either break or increase the chance for kickback.
11. **Keep handles dry, clean, and free from oil and grease.** Greasy, oily handles are slippery causing loss of control.
12. **Cut wood only. Do not use chain saw for purposes not intended. For example: do not use chain saw for cutting plastic, masonry or non-wood building materials.** Use of the chain saw for operations different than intended could result in a hazardous situation.

13. **Causes and Operator Prevention of Kickback:** Kickback may occur when the nose or tip of the guide bar touches an object, or when the wood closes in and pinches the saw chain in the cut.

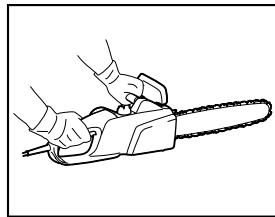
Tip contact in some cases may cause a sudden reverse reaction, kicking the guide bar up and back towards the operator.

Pinching the saw chain along the top of the guide bar may push the guide bar rapidly back towards the operator.

Either of these reactions may cause you to lose control of the saw which could result in serious personal injury. Do not rely exclusively upon the safety devices built into your saw. As a chain saw user, you should take several steps to keep your cutting jobs free from accident or injury.

Kickback is the result of tool misuse and/or incorrect operating procedures or conditions and can be avoided by taking proper precautions as given below:

- **Maintain a firm grip, with thumbs and fingers encircling the chain saw handles, with both hands on the saw and position your body and arm to allow you to resist kickback forces.** Kickback forces can be controlled by the operator, if proper precautions are taken. Do not let go of the chain saw.



014316

- **Do not overreach and do not cut above shoulder height.** This helps prevent unintended tip contact and enables better control of the chain saw in unexpected situations.
 - **Only use replacement bars and chains specified by the manufacturer.** Incorrect replacement bars and chains may cause chain breakage and/or kickback.
 - **Follow the manufacturer's sharpening and maintenance instructions for the saw chain.** Decreasing the depth gauge height can lead to increased kickback.
- Long trousers manufactured from strong fabric;
 - Protective dungarees of cut-resistant fabric;
 - Safety shoes or boots with non-slip soles, steel toes, and cut-resistant fabric lining;
 - A breathing mask, when carrying out work which produces dust (e.g. sawing dry wood).

ADDITIONAL SAFETY RULES

1. Read the instruction manual in order to familiarize yourself with operation of the chain saw.
2. Before using the chain saw for the first time, arrange to have instruction in its operation. If this is not possible, at least practice cutting round timber on a trestle before beginning work.
3. The chain saw must not be used by children or young persons under 18 years of age. Young persons over 16 years of age may be exempted from this restriction if they are undergoing training under the supervision of an expert.
4. Working with the chain saw requires a high level of concentration. Do not work with the saw if you are not feeling fit and well. Carry out all work calmly and carefully.
5. Never work under the influence of alcohol, drugs or medication.

Proper use

1. The chain saw is intended solely for cutting wood. Do not use it for example to cut plastic or porous concrete.
2. Only use the chain saw for operations described in this instruction manual. Do **not**, for example, use it to trim hedges or for similar purposes.
3. The chain saw must not be used for forestry work, i.e. for felling and limbing standing timber. The chain saw cable does not provide the operator with the mobility and safety required for such work.
4. The chain saw is not intended for commercial use.
5. Do not overload the chain saw.

Personal protective equipment

1. Clothing must be close-fitting, but must not obstruct mobility.
2. Wear the following protective clothing during work:
 - A tested safety helmet, if a hazard is presented by falling branches or similar;
 - A face mask or goggles;
 - Suitable ear protection (ear muffs, custom or mouldable ear plugs). Octave band analysis upon request.
 - Firm leather safety gloves;

Protection against electric shock



- The chain saw must not be used in wet weather or damp environments, as the electric motor is not waterproof.
1. Only plug the saw into sockets in tested electrical circuits. Check that the system voltage matches that on the rating plate. Ensure that a 16 A line fuse is fitted. Saws used in the open air must be connected to a residual current-operated circuit-breaker with an operating current no higher than 30 mA.



- Should the connecting cable be damaged, withdraw the mains plug immediately.

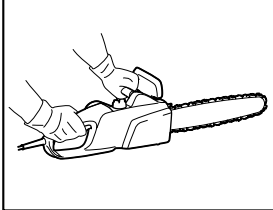
Safe working practices

1. Before starting work, check that the chain saw is in proper working order and that its condition complies with the safety regulations. Check in particular that:
 - The chain brake is working properly;
 - The run-down brake is working properly;
 - The bar and the sprocket cover are fitted correctly;
 - The chain has been sharpened and tensioned in accordance with the regulations;
 - The mains cable and mains plug are undamaged;

Refer to the "CHECKS" section.

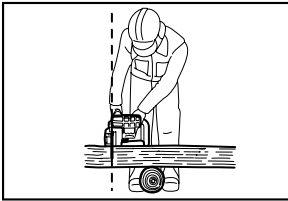
2. Always ensure in particular that the extension cable used is of adequate cross-section (see "SPECIFICATIONS"). When using a cable reel, wind the cable completely off the reel. When using the saw in the open air, ensure that the cable employed is intended for open-air use and is rated accordingly.
3. Keep the cord away from the cutting area and to position cord so that it will not be caught on branches, and the like, during cutting.
4. Do not operate the chain saw in the vicinity of flammable dust or gases, as the motor generates sparks and presents a **risk of explosion**.
5. Work only on firm ground and with a good footing. Pay particular attention to obstacles (e.g. the cable) in the working area. Take particular care where moisture, ice, snow, freshly cut wood or bark may make surfaces slippery. Do not stand on ladders or trees when using the saw.
6. Take particular care when working on sloping ground; rolling trunks and branches pose a potential hazard.

7. Never cut above shoulder height.
8. **Hold the chain saw with both hands when switching it on and using it.** Hold the rear handle with your right hand and the front handle with your left. Hold the handles firmly with your thumbs. The bar and the chain must not be in contact with any objects when the saw is switched on.



014316

9. Clean the area to be cut of foreign objects such as sand, stones, nails, wire, etc. Foreign objects damage the bar and chain, and can lead to dangerous kickback.
10. Take particular care when cutting in the vicinity of wire fences. Do not cut into the fence, as the saw may kick back.
11. Do not cut into the ground.
12. Cut pieces of wood singly, not in bunches or stacks.
13. Avoid using the saw to cut thin branches and roots, as these can become entangled in the chain saw. Loss of balance presents a hazard.
14. Use a secure support (trestle) when cutting sawn timber.
15. Do not use the chain saw to prise off or brush away pieces of wood and other objects.
16. Guide the chain saw such that no part of your body is within the extended path of the saw chain (see figure).

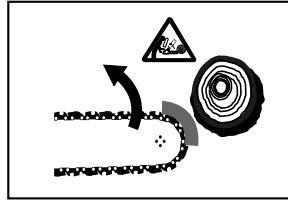


006909

17. When moving around between sawing operations, apply the chain brake in order to prevent the chain from being operated unintentionally. Hold the chain saw by the front handle when carrying it, and do not keep your finger on the switch.
18. Withdraw the mains plug when taking breaks or leaving the chain saw unattended. Leave the chain saw where it cannot present a hazard.

Kickback

1. Hazardous kickback may arise during work with the chain saw. Kickback arises when the tip of the bar (in particular the upper quarter) comes into contact with wood or another solid object. This causes the chainsaw to be deflected in the direction of the operator.

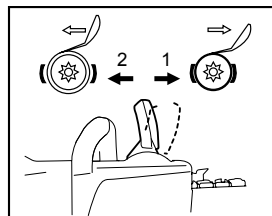


006919

2. In order to avoid kickback, observe the following:
 - Never begin the cut with the tip of the bar.
 - Never use the tip of the bar for cutting. Take particular care when resuming cuts which have already been started.
 - Start the cut with the chain running.
 - Always sharpen the chain correctly. In particular, set the depth gauge to the correct height.
 - Never saw through several branches at a time.
 - When limbing, take care to prevent the bar from coming into contact with other branches.
 - When bucking, keep clear of adjacent trunks. Always observe the bar tip.
 - Use a trestle.

Safety features

1. Always check that the safety features are in working order before starting work. Do not use the chain saw if the safety features are not working properly.
 - **Chain brake:**
The chain saw is fitted with a chain brake which brings the saw chain to a standstill within a fraction of a second. It is activated when the hand guard is pushed forwards. The saw chain then stops within 0.15 s, and the power supply to the motor is interrupted.



1. Chain brake applied
2. Chain brake released

014317

- **Run-down brake:**
The chain saw is equipped with a run down brake which brings the saw chain to an immediate stop

when the ON/OFF switch is released. This prevents the saw chain from running on when switched off, and thus presenting a hazard.

- The **front and rear hand guards** protect the user against injury from pieces of wood which may be thrown backwards, or a broken saw chain.
- The **trigger lockout** prevents the chain saw from being switched on accidentally.
- The **chain catcher** protects the user against injury should the chain jump or break.

Transport and storage



When the chain saw is not in use or is being transported, withdraw the mains plug and fit the guide bar cover supplied with the saw. Never carry or transport the saw with the saw chain running.

1. Carry the chain saw by the front handle only, with the bar pointing backwards.
2. Keep the chain saw in a secure, dry and locked room out of the reach of children. Do not store the chain saw outdoors.

MAINTENANCE

1. Withdraw the plug from the socket before carrying out any adjustments or maintenance.
2. Check the power cable regularly for damage to the insulation.
3. Clean the chain saw regularly.
4. Have any damage to the plastic housing repaired properly and immediately.
5. Do not use the saw if the switch trigger is not working properly. Have it properly repaired.
6. Under no circumstances should any modifications be made to the chain saw. Your safety is at risk.
7. Do not carry out maintenance or repair work other than that described in this instruction manual. Any other work must be carried out by authorized service centers.
8. Only use genuine replacement parts and accessories intended for your model of saw. The use of other parts increases the risk of accident.
9. We accept no responsibility for accidents or damage should non-approved bars, saw chains or other replacement parts or accessories be used.

First aid



Do not work alone. Always work within shouting distance of a second person.

1. Always keep a first-aid box to hand. Replace any items taken from it immediately.
2. Should you request assistance in the event of an accident, state the following:
 - Where did the accident happen?
 - What happened?
 - How many persons are injured?
 - What injuries do they have?
 - Who is reporting the accident?

NOTE:

Individuals with poor circulation who are exposed to excessive vibration may experience injury to blood vessels or the nervous system.

Vibration may cause the following symptoms to occur in the fingers, hands or wrists: "Falling asleep" (numbness), tingling, pain, stabbing sensation, alteration of skin colour or of the skin.

If any of these symptoms occur, see a physician!

SAVE THESE INSTRUCTIONS.

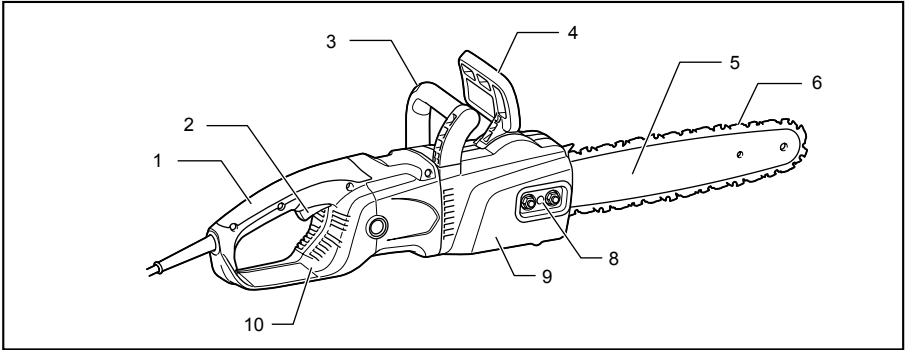
WARNING:

DO NOT let comfort or familiarity with product (gained from repeated use) replace strict adherence to safety rules for the subject product. MISUSE or failure to follow the safety rules stated in this instruction manual may cause serious personal injury.

DESIGNATION OF PARTS

(Nut model: the sprocket cover is tightened by nuts.)

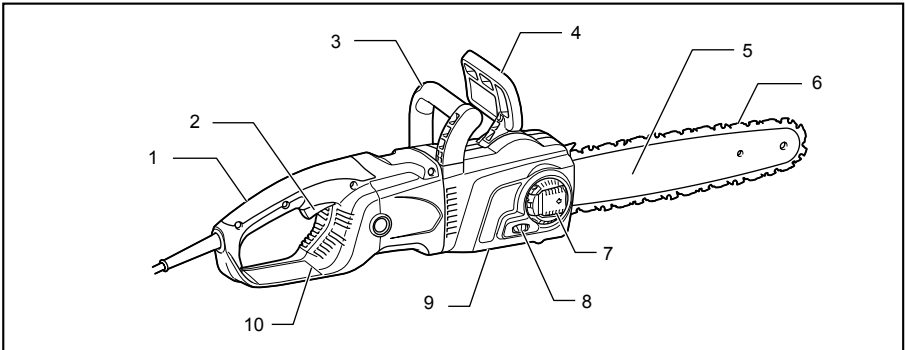
For Model UC3050A, UC3550A, UC3550AP, UC4050A, UC4550A



014372

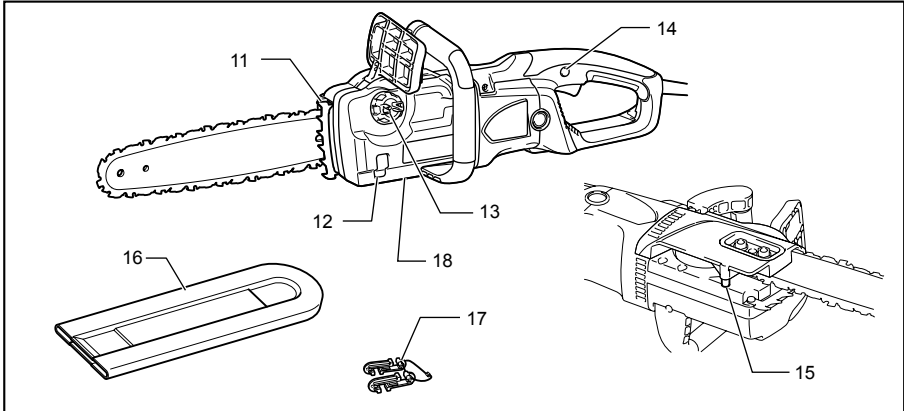
(Lever model: the sprocket cover is tightened by lever.)

For Model UC3051A, UC3551A, UC4051A, UC4551A



014373

(For all models)



014514

1	Rear handle	7	Lever	13	Oil filler cap
2	Switch trigger	8	Adjusting screw/dial	14	Lock-off button
3	Front handle	9	Sprocket cover	15	Chain catcher
4	Front hand guard	10	Rear hand guard	16	Guide bar cover
5	Guide bar	11	Spike bumper	17	Cord hook
6	Saw chain	12	Oil level sight	18	Adjusting screw for oil pump (at the bottom)

014375

ASSEMBLY

⚠CAUTION:

- Always be sure that the tool is switched off and unplugged before carrying out any work on the tool.

Removing or installing sprocket cover

To remove the sprocket cover, perform the following steps:

(For nut models)

Fig.1

Loosen the nut.

(For lever models)

Fig.2

Press and fully open the lever until it stops.

Turn the lever counterclockwise.

To install the sprocket cover, perform the above steps in reverse.

Removing or installing saw chain

⚠CAUTION:

- Always wear gloves when installing or removing the saw chain.

To remove the saw chain, perform the following steps:

- Loosen the sprocket cover.
- (For nut models) Turn the chain adjusting screw counterclockwise to release the saw chain tension.
(For lever models) Turn the adjusting dial to "-" direction to loosen the saw chain tension.

Fig.3

Fig.4

- Remove the sprocket cover.
- Remove the saw chain and guide bar from the chain saw.

To install the saw chain, perform the following steps:

- Make sure the direction of the chain. The arrow mark on the chain shows the direction of the chain.

Fig.5

- Fit in one end of the saw chain on the top of the guide bar and the other end of it around the sprocket.
- Place the guide bar on the chain saw.
- Align the tension slide with the hole of the guide bar.

Fig.6

9. Holding the guide bar, and turn the chain adjusting screw / dial to adjust the saw chain tension.
10. Place the sprocket cover so that the hooks fit alongside the holes and the pin fits its counterpart on the sprocket cover.

Fig.7

11. Tighten the sprocket cover.

Fig.8

Fig.9

Adjusting saw chain tension

The saw chain may become loose after many hours of use. From time to time check the saw chain tension before use.

1. Loosen the sprocket cover lightly.
2. Lift up the guide bar tip slightly.
3. Turn the adjusting screw / dial to adjust saw chain tension.

Fig.10

Fig.11

4. Tighten the saw chain until the lower side of the saw chain fits in the guide bar rail (see circle).
5. Keep holding the guide bar lightly, tighten the sprocket cover after adjusting the chain tension. Make sure that the saw chain does not loose at lower side.

Make sure the saw chain fits snugly against the lower side of the bar.

⚠CAUTION:

- Do not tighten the saw chain too much. Excessively high tension of saw chain may cause breakage of saw chain, wear of the guide bar and breakage of the adjusting dial.
- A chain which is too loose can jump off the bar, and therefore presents an accident risk.
- Carry out the procedure of installing or removing saw chain in a clean place free from sawdust and the like.

Engaging extension cord

⚠CAUTION:

- Make sure that the extension cord is unplugged to the mains outlet.

Fig.12

When engaging the extension cord, secure it to the chain saw's cord with the cord hook.

Attach the cord hook about 100 - 200 mm from the extension cord connector. This helps prevent unintentional disconnection.

OPERATION

⚠CAUTION:

- Hold the tool firmly with right hand on the rear handle and left hand on the front handle when performing the tool.

Switch action

Fig.13

⚠CAUTION:

- Always be sure that the tool is switched off and unplugged before checking function on the switch trigger.
- Before plugging in the tool, always check to see that the switch trigger actuates properly and returns to the "OFF" position when released.

To prevent the switch trigger from being accidentally pulled, a lock-off button is provided.

To start the tool, depress the lock-off button and pull the switch trigger. Release the switch trigger to stop.

Lubrication

⚠CAUTION:

- Always be sure that the tool is switched off and unplugged before lubricating the saw chain.

Fig.14

Lubricate the saw chain and bar using biologically degradable saw chain oil with an adhesion agent. The adhesion agent in the saw chain oil prevents the oil from being thrown off the saw excessively quickly. Mineral oils must not be used, as they are harmful to the environment.

⚠CAUTION:

- Prevent the oil from coming into contact with the skin and eyes. Contact with the eyes causes irritation. In the event of eye contact, flush the affected eye immediately with clear water, then consult a doctor at once.
- Never use waste oil. Waste oil contains carcinogenic substances. The contaminants in waste oil cause accelerated wear of the oil pump, the bar and the chain. Waste oil is harmful to the environment.
- When filling the chain saw with chain oil for the first time, or refilling the tank after it has been completely emptied, add oil up to the bottom edge of the filler neck. The oil delivery may otherwise be impaired.

Fig.15

To fill the oil, perform the following steps:

1. Clean the area around the oil filler cap thoroughly to prevent any dirt from entering the oil tank.
2. Unscrew the oil filler cap and add oil up to the lower edge of the filler neck.
3. Screw the oil filler cap firmly back in place.
4. Wipe away any spilt chain oil carefully.

NOTE:

- When the chain saw is used for the first time, it may take up to two minutes for the saw chain oil to begin its lubricating effect upon the saw mechanism. Run the saw without load until it does so (see "CHECKS").

CHECKS

Before starting work, carry out the following checks:

Checking the chain tension

⚠WARNING:

- Always withdraw the mains plug before checking the chain tension, and wear safety gloves.

(For nut models)

Fig.16

(For lever models)

Fig.17

Make sure the saw chain fits snugly against the lower side of the bar (see circle).

Check the chain tension frequently, as new chains are subject to elongation.

Excessively high tension of saw chain may cause breakage of saw chain, wear of the guide bar and breakage of the adjusting dial.

A chain which is too loose can jump off the bar, and therefore presents an accident risk.

If the chain is too loose: Refer to the section titled "Adjusting saw chain tension" and adjust the saw chain tension again.

Checking the switch action

⚠CAUTION:

Before plugging in the tool, always check to see that the switch trigger actuates properly and returns to the "OFF" position when released.

To prevent the switch trigger from being accidentally pulled, a lock-off button is provided.

To start the tool, depress the lock-off button and pull the switch trigger. Release the switch trigger to stop.

Do not pull the switch trigger hard without depressing the lock-off button. This may cause switch breakage.

Checking the chain brake

NOTE:

- If the chain saw fails to start, check whether the chain brake is released. To release the chain brake, pull the hand guard backwards firmly until you feel it engage.

Fig.18

Fig.19

Check the chain brake as follows:

1. Hold the chain saw with both hands when switching it on. Hold the rear handle with your right hand, the front handle with your left. Make sure that the bar and the chain do not contact with any object.

2. First press the lock-off button, then the switch trigger. The saw chain starts immediately.
3. Press the front hand guard forwards using the back of your hand. Make sure that the saw chain comes to an immediate standstill.

⚠CAUTION:

- If the saw chain does not stop immediately, do not use the saw under any circumstances. Consult Makita authorized service centers.

Checking the run-down brake

Switch on the chain saw.

Release the switch trigger completely. Make sure the saw chain comes to a standstill within a second.

⚠CAUTION:

- If the saw chain does not stop immediately, do not use the saw under any circumstances. Consult Makita authorized service centers.

Checking the chain oiler

Before starting work, check the oil level in the tank, and the oil delivery.

The oil level can be seen in the oil level sight shown in the figure.

Fig.20

Check the oil delivery as follows:

Start the chain saw.

With the saw running, hold the saw chain approximately 15 cm above a tree trunk or the ground. If lubrication is adequate, the oil spray will produce a light oil trace.

Observe the wind direction, and do not expose yourself to the oil spray unnecessarily.

⚠CAUTION:

- If an oil trace is not formed, do not use the saw. The lifespan of the chain will otherwise be reduced. Check the oil level. Clean the oil feed groove and the oil feed hole in the bar (refer to "MAINTENANCE").

Adjusting the chain lubrication

Fig.21

You can adjust the oil pump feed rate with the adjusting screw.

WORKING WITH THE CHAIN SAW

⚠CAUTION:

- Always use a front handle and rear handle and firmly hold the tool by both front handle and rear handle during operations.
- Always secure the timber to be cut, otherwise the cut fragments may cause personal injury.

Bucking

Fig.22

For bucking cuts, rest the spike bumper shown in the figure on the wood to be cut.

With the saw chain running, saw into the wood, using the rear handle to raise the saw and the front one to guide it. Use the spike bumper as a pivot.

Continue the cut by applying slight pressure to the front handle, easing the saw back slightly. Move the spike bumper further down the timber and raise the front handle again.

When making several cuts, switch the chain saw off between cuts.

⚠CAUTION:

- If the upper edge of the bar is used for cutting, the chain saw may be deflected in your direction if the chain becomes trapped. For this reason, cut with the lower edge, so that the saw will be deflected away from your body.

Fig.23

Cut wood under tension on the pressure side (A) first. Then make the final cut on the tension side (B). This prevents the bar from becoming trapped.

Fig.24

Limbing

⚠CAUTION:

- Limbing may only be performed by trained persons. A hazard is presented by the risk of kick-back.

When limbing, support the chain saw on the trunk if possible. Do not cut with the tip of the bar, as this presents a risk of kickback.

Pay particular attention to branches under tension. Do not cut unsupported branches from below.

Do not stand on the felled trunk when limbing.

Burrowing and parallel-to-grain cuts

⚠CAUTION:

- Burrowing and parallel-to-grain cuts may only be carried out by persons with special training. The possibility of kickback presents a risk of injury.

Fig.25

Perform parallel-to-grain cuts at as shallow an angle as possible. Carry out the cut as carefully as possible, as the spike bumper cannot be used.

Felling

⚠CAUTION:

- Felling work may only be performed by trained persons. The work is hazardous.

Observe local regulations if you wish to fell a tree.

Fig.26

- Before starting felling work, ensure that:
 - (1) Only persons involved in the felling operation are in the vicinity;
 - (2) Any person involved has an unhindered path of retreat through a range of approximately 45 ° either side of the felling axis. Consider the additional risk of tripping over electrical cables;

(3) The base of the trunk is free of foreign objects, roots and ranches;

(4) No persons or objects are present over a distance of 2 1/2 tree lengths in the direction in which the tree will fall.

- Consider the following with respect to each tree:
 - Direction of lean;
 - Loose or dry branches;
 - Height of the tree;
 - Natural overhang;
 - Whether or not the tree is rotten.
- Consider the wind speed and direction. Do not carry out felling work if the wind is gusting strongly.
- Trimming of root swellings: Begin with the largest swellings. Make the vertical cut first, then the horizontal cut.

Fig.27

- Cut a scarf. The scarf determines the direction in which the tree will fall, and guides it. It is made on the side towards which the tree is to fall. Cut the scarf as close to the ground as possible. First make the horizontal cut to a depth of 1/5 -1/3 of the trunk diameter. Do not make the scarf too large. Then make the diagonal cut.
- Cut any corrections to the scarf across its entire width.

Fig.28

- Make the back cut a little higher than the base cut of the scarf. The back cut must be exactly horizontal. Leave approximately 1/10 of the trunk diameter between the back cut and the scarf. The wood fibers in the uncut trunk portion act as a hinge. Do not cut right through the fibers under any circumstances, as the tree will otherwise fall unchecked. Insert wedges into the back cut in time.
- Only plastic or aluminum wedges may be used to keep the back cut open. The use of iron wedges is prohibited.
- Stand to the side of the falling tree. Keep an area clear to the rear of the falling tree up to an angle of 45 ° either side of the tree axis (refer to the " felling area " figure). Pay attention to falling branches.
- An escape path should be planned and cleared as necessary before cuts are started. The escape path should extend back and diagonally to the rear of the expected line of fall as illustrated in figure.

Fig.29

MAINTENANCE

⚠CAUTION:

- Always be sure that the tool is switched off and unplugged before attempting to perform inspection or maintenance.
- Always wear gloves when performing any inspection or maintenance.

- Never use gasoline, benzine, thinner, alcohol or the like. Discoloration, deformation or cracks may result.

Carry out the maintenance work described below at regular intervals. Warranty claims will be accepted only if these operations have been performed regularly and properly.

Only maintenance work described in this instruction manual may be performed by the user. Any other work must be carried out by MAKITA authorized service centers.

Cleaning the chain saw

Clean the saw regularly with a clean rag. The handles, in particular, must be kept free of oil.

Checking the plastic housing

Carry out regular visual inspections of all parts of the housing. If any parts are damaged, have them repaired immediately and properly in MAKITA authorized service centers.

Sharpening the saw chain

⚠CAUTION:

- Always withdraw the mains plug and wear safety gloves when performing work on the saw chain.

Fig.30

Sharpen the saw chain when:

- Mealy sawdust is produced when damp wood is cut;
- The chain penetrates the wood with difficulty, even when heavy pressure is applied;
- The cutting edge is obviously damaged;
- The saw pulls to the left or right in the wood. The reason for this behavior is uneven sharpening of the saw chain, or damage to one side only.

Sharpen the saw chain frequently, but remove only a little material each time.

Two or three strokes with a file are usually sufficient for routine resharpening. When the saw chain has been resharpened several times, have it sharpened in MAKITA authorized service center.

Sharpening criteria:

- All cutter length must be equal. Cutters of differing length prevent the chain from running smoothly, and may cause the chain to break.
- Do not sharpen the chain once a minimum cutter length of 3 mm has been reached. A new chain must then be fitted.
- The chip thickness is determined by the distance between the depth gauge (round nose) and the cutting edge.
- The best cutting results are obtained with following distance between cutting edge and depth gauge.
Chain blade 91PX: 0.65 mm

Fig.31

⚠WARNING:

- An excessive distance increases the risk of kick-back.
- The sharpening angle of 30 ° must be the same on all cutters. Differences in angle cause the chain to run roughly and unevenly, accelerate wear, and lead to chain breaks.
- The side plate angle of the cutter is determined by the depth of penetration of the round file. If the specified file is used properly, the correct side plate angle is produced automatically.
- Side plate angle for each saw chain are as follows:
Chain blade 91PX: 80 °

Fig.32

File and file guiding

- Use a special round file (optional accessory) for saw chains to sharpen the chain. Normal round files are not suitable.
- Diameter of the round file for each saw chain is as follows:
Chain blade 91PX: 4.0 mm
- The file should only engage the cutter on the forward stroke. Lift the file off the cutter on the return stroke.
- Sharpen the shortest cutter first. Then the length of this shortest cutter becomes the standard for all other cutters on the saw chain.

Fig.33

- Guide the file as shown in the figure.
- The file can be guided more easily if a file holder (optional accessory) is employed. The file holder has markings for the correct sharpening angle of 30 ° (align the markings parallel to the saw chain) and limits the depth of penetration (to 4/5 of the file diameter).

Fig.34

- After sharpening the chain, check the height of the depth gauge using the chain gauge tool (optional accessory).

Fig.35

- Remove any projecting material, however small, with a special flat file (optional accessory).
- Round off the front of the depth gauge again.

Cleaning the guide bar and lubricating the return sprocket

⚠CAUTION:

- Always wear safety gloves for this task. Burrs present a risk of injury.

Fig.36

Check the running surfaces of the bar regularly for damage. Clean using a suitable tool, and remove burrs if necessary.

If the chain saw receives frequent use, lubricate the return sprocket bearing at least once a week. Before adding new fresh grease, carefully clean the 2 mm hole on the tip of the guide bar, then force a small quantity of multi-purpose grease (optional accessory) into the hole.

Cleaning the oil guide

Fig.37

- Clean the oil guide groove and the oil feed hole in the bar at regular intervals.

New saw chains

Use two or three saw chains alternately, so that the saw chain, sprocket and running surfaces of the bar wear evenly.

Turn the bar over when changing the chain so that the bar groove wears evenly.

⚠CAUTION:

- Only use chains and bars which are approved for this model of saw (refer to "SPECIFICATIONS").

Fig.38

Before fitting a new saw chain, check the condition of the sprocket.

⚠CAUTION:

- A worn sprocket damages a new saw chain. Have the sprocket replaced in this case.

Always fit a new locking ring when replacing the sprocket.

Maintaining the chain and run-down brakes

The braking systems are very important safety features. Like any other component of the chain saw, they are subject to a certain degree of wear. They must be inspected regularly by MAKITA authorized service centers. This measure is for your own safety.

Replacing carbon brushes

Fig.39

Remove and check the carbon brushes regularly. Replace when they wear down to the limit mark. Keep the carbon brushes clean and free to slip in the holders. Both carbon brushes should be replaced at the same time. Use only identical carbon brushes.

Fig.40

Use a screwdriver to remove the brush holder caps. Take out the worn carbon brushes, insert the new ones and secure the brush holder caps.

After replacing brushes, plug in the tool and break in brushes by running tool with no load for about 10 minutes.

Storing tool

Biologically degradable saw chain oil can only be kept for a limited period. Beyond two years after manufacture, biological oils begin to acquire an adhesive quality, and cause damage to the oil pump and components in the lubricating system.

- Before taking the chain saw out of service for a longer period, empty the oil tank and fill it with a small quantity of engine oil (SAE 30).
- Run the chain saw briefly to flush all residue of the biological oil out of the tank, lubricating system and saw mechanism.

NOTE:

- When the chain saw is taken out of service, small quantities of chain oil leaks from it for some time afterwards. This is normal, and is not a sign of a fault.

Store the chain saw on a suitable surface.

Before returning the chain saw to service, fill up with fresh BIOTOP saw chain oil.

To maintain product SAFETY and RELIABILITY, repairs, any other maintenance or adjustment should be performed by Makita Authorized Service Centers, always using Makita replacement parts.

TROUBLE SHOOTING

Before asking for repairs, conduct your own inspection first. If you find a problem that is not explained in the manual, do not attempt to dismantle the tool. Instead, ask Makita Authorized Service Centers.

Malfunction status	Possible cause	Remedy
The chain saw does not start.	No power supply.	Connect to the power supply. Check the power supply.
	Cable defective.	Stop using the tool immediately, and ask your local authorized service center.
	Tool malfunction.	Stop using the tool immediately, and ask your local authorized service center.
Chain does not run.	Chain brake is engaged.	Release chain brake.
Insufficient performance.	Carbon brush worn down.	Ask your local authorized service center for repair.
No oil on the chain.	Oil tank is empty.	Fill the oil tank.
	Oil guide groove is dirty.	Clean the groove.
	Oil pump adjusting screw incorrectly adjusted.	Adjust the oil pump feed rate.
Chain does not stop even the chain brake is engaged.	Brake band worn down.	Stop using the tool immediately, and ask your local authorized service center.
The tool vibrates abnormally.	Loose guide bar or saw chain.	Adjust the guide bar and saw chain tension.
	Tool malfunction.	Stop using the tool immediately, and ask your local authorized service center.

014314

OPTIONAL ACCESSORIES

CAUTION:

- These accessories or attachments are recommended for use with your Makita tool specified in this manual. The use of any other accessories or attachments might present a risk of injury to persons. Only use accessory or attachment for its stated purpose.

If you need any assistance for more details regarding these accessories, ask your local Makita Service Center.

- Saw chain
- Guide bar cover
- Guide bar
- Saw chain oil

NOTE:

- Some items in the list may be included in the tool package as standard accessories. They may differ from country to country.

SVENSKA (Originalbruksanvisning)

Förklaring till översiktsskilderna

2-1. Spak	12-1. Kabelhake	19-1. Främre handskydd
2-2. Kopplingskäpa	12-2. Maskinens kabel	19-2. Lås upp
3-1. Inställningsskruv	12-3. Förlängningssladd	19-3. Lås
4-1. Justeringsratt	12-4. Stickpropp och uttag (formen kan variera mellan länder)	20-1. Oljenivåfönster
5-1. Kedjehjul	13-1. Säkerhetsknapp	22-1. Barkstöd
6-1. Svärd	13-2. Avtryckare	26-1. Fällområdet
6-2. Hål	15-1. Oljetankens lock	29-1. Fällriktning
7-1. Krok	15-2. Rem	29-2. Riskzon
7-2. Hål	16-1. Lossa	29-3. Flyktväg
7-3. Stift	16-2. Dra fast	31-1. Skärlängd
9-1. Spak	16-3. Kedjjusteringsskruv	31-2. Avstånd mellan skärtand och underställningsklack
9-2. Kopplingskäpa	16-4. Svärd	31-3. Minst 3 mm
10-1. Lossa	16-5. Sägkedja	32-1. Stötvinkel
10-2. Dra fast	17-1. Lossa	37-1. Oljekanal
10-3. Kedjjusteringsskruv	17-2. Dra fast	37-2. Oljematningshål
10-4. Svärd	17-3. Justeringsratt	38-1. Kedjehjul
10-5. Sägkedja	17-4. Svärd	39-1. Slitmarkering
11-1. Lossa	17-5. Sägkedja	40-1. Kolhållarlock
11-2. Dra fast	18-1. Främre handskydd	40-2. Skruvmejsel
11-3. Justeringsratt	18-2. Lås	
11-4. Svärd	18-3. Lås upp	
11-5. Sägkedja		

SPECIFIKATIONER

Modell		UC3050A	UC3051A	UC3350A	UC3550AP	UC3551A	UC4050A	UC4051A	UC4550A	UC4551A
Max. kedjehastighet		14,5 m/s (870 m/min)								
Standardsvärd	Svärdlängd	300 mm			350 mm		400 mm		450 mm	
	Skärlängd	260 mm			320 mm		355 mm		415 mm	
	Svärdtyp	Svärd med noshjul								
Standard sägkedja	Typ	91PX								
	Delning	3/8"								
	Antal drivlänkar	46			52		56		62	
Rekommenderad svärdlängd		300 - 450 mm								
Längd (utan svärd)		505 mm								
Vikt		5,4 kg	5,5 kg	5,5 kg	5,6 kg	5,5 kg	5,6 kg	5,6 kg	5,7 kg	
Förlängningssladd (tillbehör)		DIN 57282/HO 7RN -F L=30 m max., 3x1,5 mm ²								

- På grund av vårt pågående program för forskning och utveckling kan dessa specifikationer ändras utan föregående meddelande.
- Specifikationerna kan variera mellan olika länder.
- Vikt i enlighet med EPTA-procedur 01/2003

END218-7

Symbol

Följande visar symbolerna som används för utrustningen. Se till att du förstår innebörden innan du använder bormaskinen.



- Läs igenom bruksanvisningen och följ varningar och säkerhetsanvisningar.



- Använd skyddsglasögon.



- Använd hörselskydd.



- DUBBEL ISOLERING



- Försiktigt: extra försiktighet och uppmärksamhet krävs!



- Försiktigt: dra ur nätsladden omedelbart om den skadas!



- Försiktigt: bakåtkast!



- Skydda mot regn och fukt!



- Använd hjälm, skyddsglasögon och hörselskydd!



- Använd skyddshandskar!



- Dra ut nätsladden!



- Första hjälpen



- Tillåten maximal skärlängd



- Kedjans rörelseriktning



- Kedjeolja



- Kedjebroms släppt



- Kedjebroms tillslagen



- Förbjudet!



- Gäller endast EU-länder
Elektrisk utrustning får inte kastas i hushållssoporna!
Enligt EU-direktivet som avser äldre elektrisk och elektronisk utrustning och dess tillämpning enligt nationell lagstiftning ska uttjänt elektrisk utrustning sorteras separat och lämnas till miljövänlig återvinning.

ENE085-1

Användningsområde

Verktyget är avsett för kapning av virke och stockar.

ENF002-2

Strömförsörjning

Maskinen får endast anslutas till elnät med samma spänning som anges på typplåten och med enfasig växelström. De är dubbelisolerade och får därför också anslutas i ojordade vägguttag.

ENG905-1

Buller

Typiska A-vägda bullernivån är mätt enligt EN60745:

Ljudtrycksnivå (L_{pA}): 90,8 dB (A)
Ljudeffektnivå (L_{WA}): 101,8 dB (A)
Måttolerans (K): 2,5 dB (A)

Använd hörselskydd

ENG900-1

Vibration

Vibrationens totalvärde (tre-axlars vektorsumma) mätt enligt EN60745 :

Arbetsläge: sågning i trä
Vibrationsemission (a_n): 5,2 m/s²
Måttolerans (K): 1,5 m/s²

ENG901-1

- Det deklarerade vibrationsemissionsvärdet har uppmätts i enlighet med standardtestmetoden och kan användas för jämförandet av en maskin med en annan.
- Det deklarerade vibrationsemissionsvärdet kan också användas i preliminär bedömning av exponering för vibration.

⚠ VARNING!

- Vibrationsemissionen under faktisk användning av maskinen kan skilja sig från det deklarerade emissionsvärdet, beroende på hur maskinen används.
- Se till att hitta säkerhetsåtgärder som kan skydda användaren och som grundar sig på en uppskattning av exponering i verkligheten (ta med i beräkningen alla delar av användandet såsom antal gånger maskinen är avstängd och när den körs på tomgång samt då startomkopplaren används).

ENH021-8

Gäller endast Europa

EU-konformitetsdeklaration

Makita försäkrar att följande maskiner:

Maskinbeteckning:

Kedjesåg

Modellnr./-typ: UC3050A, UC3550A, UC4050A, UC4550A, UC3051A, UC3551A, UC3550AP, UC4051A, UC4551A

Specifikationer: se tabellen "SPECIFIKATIONER".

Följer följande EU-direktiv:

2000/14/EU, 2006/42/EU

De är tillverkade i enlighet med följande standard eller standardiseringsdokument:

EN60745

Den tekniska dokumentationen i enlighet med 2006/42/EG finns tillgänglig från:

Makita, Jan-Baptist Vinkstraat 2, 3070, Belgium

Den bedömning av överensstämmelse som krävs av direktiv 2000/14/EU var i enlighet med bilaga V

Uppmätt ljudeffektnivå: 101,9 dB (A)

Garanterad ljudeffektnivå: 103 dB (A)

8.5.2014

000331

Yasushi Fukaya
Direktör

Makita, Jan-Baptist Vinkstraat 2, 3070, Belgium

Allmänna säkerhetsvarningar för maskin

⚠ VARNING Läs igenom alla säkerhetsvarningar och instruktioner. Underlåtenhet att följa varningar och instruktioner kan leda till elektrisk stöt, brand och/eller allvarliga personskador.

Spara alla varningar och instruktioner för framtida referens.

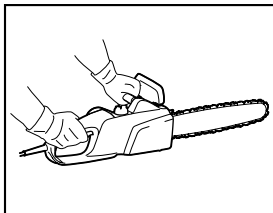
GEB037-8

Säkerhetsvarningar för kedjesåg

- Håll alla kroppsdelar borta från kedjesågen när den är igång. Se till att sågkedjan inte vidrör någonting innan du startar kedjesågen.** Ett ögonblick av ouppmärksamhet medan du arbetar med kedjesågen kan leda till att kedjesågen kommer i kontakt med dina kläder eller med kroppen.
- Håll alltid kedjesågen med din högerhand på det bakre handtaget och din vänsterhand på det främre handtaget.** Att hålla kedjesågen med handen vriden ökar risken för personskador, vilket absolut inte får ske.
- Håll endast maskinen i de isolerade handtagen eftersom sågkedjan kan komma i kontakt med en dold elkabel eller sin egen kabel.** Om sågkedjan kommer i kontakt med en strömförande ledning blir maskinens metalldelar strömförande och kan ge operatören en elektrisk stöt.
- Använd skyddsglasögon och hörselskydd. Ytterligare skyddsutrustning rekommenderas för huvud, händer, ben och fötter.** Passande skyddskläder minskar risken för personskador från flygande materialrester eller oavsiktlig kontakt med sågkedjan.
- Arbeta inte med kedjesågen i ett träd.** Att arbeta med kedjesågen uppe i ett träd kan orsaka personskador.
- Stå alltid stadigt och arbeta endast med kedjesågen när du står på ett fast, säkert och plant underlag.** Halt eller ostadigt underlag såsom vriden kan leda till att du tappar balansen eller tappar kontrollen över kedjesågen.
- Var uppmärksam vid sågning av en gren som är spänd eftersom den kan fjädra tillbaka.** När spänningen i träfibren släpper kan den spända grenen slå tillbaka mot användaren och/eller slå kedjesågen ur händerna.
- Var mycket försiktig vid sågning av buskar och unga träd.** Det fina materialet kan fånga sågkedjan och piskas emot dig eller få dig ur balans.
- Bär kedjesågen i det främre handtaget och bort från kroppen med maskinen avstängd.**

Vid transport eller förvaring av kedjesågen ska alltid svärdskyddet sitta på. Korrekt hantering av kedjesågen minskar risken för oavsiktlig kontakt när sågkedjan är i rörelse.

- Följ instruktionerna för smörjning, kedjesträckning och utbyte av tillbehör.** Felaktig sträckning eller kedjesmörjning kan antingen få kedjan att gå av eller öka risken för bakåtkast.
- Håll handtagen torra, rena och fria från olja och fett.** Hala handtag orsakar okontrollerad sågning.
- Såga endast i trä. Använd kedjesågen endast för det ändamål den är avsedd för.** Till exempel: använd den inte för sågning i plast, murverk eller annat byggmaterial som inte är av trä. Användning av kedjesågen för annat ändamål än vad den är avsedd för kan leda till att en farlig situation uppstår.
- Orsaker till och förebyggande av bakåtkast:**
Bakåtkast kan uppstå när nosen eller spetsen på svärdet kommer i kontakt med ett objekt, eller när träet kniper tag i och låser fast kedjesågen i skåret. Kontakt med spetsen kan i vissa fall orsaka en plötslig motsatt reaktion där svärdet slås uppåt och bakåt mot användaren.
Fastlåsning av sågkedjan längs spetsen på svärdet kan snabbt trycka svärdet bakåt mot användaren.
Endera av dessa reaktioner kan orsaka att du tappar kontrollen över sågen vilket kan resultera i allvarliga personskador. Lita inte uteslutande på de inbyggda säkerhetsenheterna i din såg. Som en kedjesågsanvändare ska du vidta försiktighetsåtgärder så att inte olyckor eller skador uppstår i ditt arbete med sågen.
Bakåtkast beror på ovarsamhet och/eller felaktiga arbetsrutiner eller –förhållanden och kan undvikas genom att vidta nedanstående förebyggande åtgärder.
 - Håll sågen stadigt med båda händerna så att de omsluter kedjesågens handtag. Med båda händerna på sågen, placera kroppen och armen stadigt så att du kan ta emot kraften från ett bakåtkast.** Kraften i bakåtkastet kan kontrolleras av användaren genom att vidta tillbörliga försiktighetsåtgärder. Släpp inte kedjesågen.



014316

- **Sträck dig inte för långt när du använder maskinen och såga inte över axelhöjd.** Detta förhindrar oavsiktlig kontakt med spetsen och ger bättre kontroll över kedjesågen i oväntade situationer.
- **Använd endast reservdelar som svärd och kedjor specificerade av tillverkaren.** I annat fall kan det orsaka att kedjan går av och/eller bakåtkast.
- **Följ tillverkarens instruktioner för slipning och underhåll av sågkedjan.** Minskning av höjden på underställningsklacken kan leda till ökad risk för bakåtkast.

- Hörselskydd (hörselkåpor eller öronproppar). Frekvensanalys kan erhållas på begäran.
- Kraftiga skyddshandskar.
- Långbyxor i kraftigt tyg.
- Överdragskläder med.
- Säkerhetsskor eller stövlar med halkfria sulor, stålhätta och.
- Ansiktsmask när arbetet genererar damm (t ex sågning i torrt trä).

YTTERLIGARE SÄKERHETSANVISNINGAR

1. Läs bruksanvisningen för att lära dig hur kedjesågen fungerar.
2. Låt gärna någon demonstrera hur sågen används innan du själv använder den för första gången. Om det inte är möjligt att ordna med en demonstration är det lämpligt att övningssäga i en stock på en sågbock.
3. Kedjesågen får inte användas av barn eller ungdomar under 18 år. Undantag kan göras för ungdomar över 16 år som har fått utbildning och träning på sågens funktioner.
4. Arbete med en kedjesåg kräver full koncentration. Arbeta inte med sågen när du känner dig fysiskt eller psykiskt nedsatt. Utför allt arbete noggrant och i lugnt tempo.
5. Arbeta aldrig om du är påverkad av alkohol eller mediciner.

Användningsområde

1. Kedjesågen är endast avsedd för sågning i trä. Använd den inte till att t ex såga i plast eller lättbetong.
2. Använd sågen endast till de funktioner som beskrivs i denna bruksanvisning. Använd den **inte** till att beskära häckar eller för liknande ändamål.
3. Kedjesågen får inte användas för skogsarbete, dvs. trädfällning och kvistning av stående träd. Kedjesågens sladd begränsar användarens rörlighet på ett sådant sätt att denna typ av användning är olämplig.
4. Kedjesågen är inte avsedd för yrkesmässig användning.
5. Överbelasta inte kedjesågen.

Personlig skyddsutrustning

1. Använd åtsittande kläder som inte begränsar rörligheten.
2. Följande skyddskläder är lämpliga under arbete:
 - Godkänd skyddshjälm som skydd mot nedfallande grenar o dyl.
 - Visir eller skyddsglasögon.

Elsäkerhet



- Kedjesågen får inte användas i regn eller i fuktig miljö eftersom den elektriska motorn inte är vattenskyddad.
1. Sågen får endast kopplas in i ett godkänt el-uttag. Kontrollera att nätspänningen är densamma som på märkplåten. Kontrollera att uttaget är skyddat med en säkring på 16 A. Om sågen används utomhus måste den anslutas till en jordfelsbrytare med en utlösningsström på högst 30 mA.
 - Om nätsladden skadas måste sladden omedelbart dras ut ur nättuttaget.



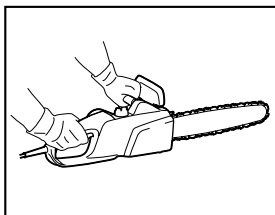
Säkerhetsrutiner

1. Kontrollera att kedjan är i gott skick och uppfyller säkerhetsanvisningarna innan arbetet påbörjas. Kontrollera i synnerhet att:
 - Kedjebromsen fungerar.
 - Tröghetsbromsen fungerar.
 - Svärdet och kopplingskåpan är rätt monterade.
 - Kedjan är filad och spänd i enlighet med anvisningarna.
 - Inga skador finns på nätsladd inklusive kontakt.

Mer information finns i avsnittet "KONTROLLER".

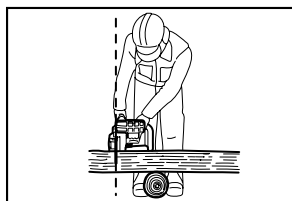
2. Kontrollera alltid att de förlängningskablar som används har tillräckligt tvärsnitt (se "SPECIFIKATIONER"). Om en kabelvinda används ska hela kabeln dras ut. Om du använder sågen utomhus måste kabeln vara godkänd för användning utomhus och ha rätt specifikationer.
3. Håll kabeln borta från sågområdet och placera den så att den inte fastnar i grenarna under sågningen.
4. Använd inte kedjesågen i närheten av brännbart damm eller gaser eftersom motorn genererar gnistor som kan **orsaka en explosion**.
5. Arbeta endast på stadigt underlag och med säkert fotfäste. Var särskilt uppmärksam på hinder inom arbetsområdet, t ex nätsladd och förlängningskabel. Var särskilt uppmärksam på omständigheter som kan medföra halka, t ex fukt, is, snö, sågspån eller bark. Använd inte kedjesågen när du står på en stege eller i ett träd.
6. Läkta särskild uppmärksamhet när du arbetar på sluttningar eller med stockar eller liknande som kan komma i rullning.
7. Såga aldrig över axelhöjd.

8. **Håll sågen med båda händerna både när du startar och använder den.** Håll bakre handtaget med höger hand och främre handtaget med vänster hand. Greppa handtagen med hela handen. Svärdet och kedjan får inte vara i kontakt med något när sågen startas.



014316

9. Ta bort hindrande föremål som t ex sand, stenar, spikar, ståltråd osv från arbetsområdet innan arbetet påbörjas. Hindrande föremål kan skada svärdet och kedjan och orsaka bakåtkast.
10. Var extra uppmärksam vid arbete nära nätstängsel. Vid eventuell sågning i nätet riskeras bakåtkast.
11. Såga inte i marken.
12. Såga stockar en och en, aldrig buntvis eller högvis.
13. Använd inte sågen till tunna grenar och rötter eftersom de kan trasslas in i kedjesågen. Det är riskfyllt att förlora balansen.
14. Använd ett lämpligt stöd (sågbock) vid sågning.
15. Använd inte sågen för att putsa bort träflisor eller annat.
16. Håll alltid sågen så att du inte kommer i sågens förlängda skärriktning (se bilden).

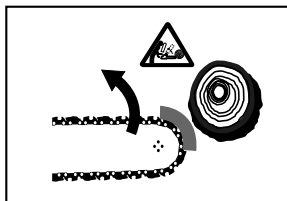


006909

17. Använd kedjebromsen när du flyttar sågen mellan olika arbetsuppgifter för att undvika att kedjan rör sig oavsiktligt. Bär kedjesågen i det främre handtaget. Håll aldrig fingret på avtryckaren.
18. Dra alltid ur nåtsladden vid paus i arbetet eller när kedjesågen lämnas oövervakad. Ställ ifrån dig sågen där den inte kan utgöra någon risk.

Bakåtkast

1. Farliga bakåtkast kan inträffa under arbete med en kedjesåg. Bakåtkast inträffar när svärdet (i synnerhet den övre fjärdedelen) kommer i kontakt med trästycket eller andra fasta föremål. Bakåtkast innebär att sågen kastas i riktning mot användaren.

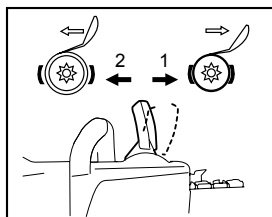


006919

2. Tänk på följande för att undvika bakåtkast:
- Börja aldrig såga med spetsen på svärdet.
 - Använd aldrig spetsen på svärdet för kapning. Var särskilt uppmärksam om du fortsätter såga i ett tidigare påbörjat skär.
 - Börja aldrig såga utan att kedjan löper.
 - Fila alltid kedjan på rätt sätt. Se särskilt till att ställa in underställningsklacken till rätt höjd.
 - Såga aldrig i flera grenar samtidigt.
 - Vid kvistning är det viktigt att svärdet inte kommer i kontakt med andra grenar.
 - Vid kapning är det viktigt att intelligande stockar inte stör arbetet. Var alltid uppmärksam på svärdspetsen.
 - Använd sågbock.

Säkerhetsfunktioner

1. Kontrollera alltid att säkerhetsfunktionerna fungerar innan arbetet påbörjas. Använd inte kedjesågen om inte säkerhetsfunktionerna fungerar på rätt sätt.
- **Kedjebroms:**
Kedjesågen är utrustad med en kedjebroms som stoppar kedjan på bråkdelen av en sekund. Den aktiveras när du skjuter handskyddet framåt. Kedjas stoppas inom 0,15 sek och strömmen till motorn bryts.



014317

1. Kedjebroms på
2. Kedjebroms släppt

Tröghetsbroms:

- Kedjesågen är utrustad med en tröghetsbroms som stoppar kedjan omedelbart när avtryckaren släpps. På så vis förhindras att kedjan löper och utgör en risk när motorn är avstängd.
- **Det främre och bakre handskyddet** skyddar användaren från skador som kan orsakas av spånar eller splitter som kastas bakåt, eller av att kedjan slits av.
 - **Startspärren** förhindrar att kedjesågen startas oavsiktligt.
 - **Kedjefångaren** skyddar användaren mot skador som kan uppstå om kedjan hoppar ur spåret eller slits av.

Transport och förvaring



- Dra alltid ur nätsladden och sätt på sågens svärdskydd när kedjesågen inte används eller när den flyttas. Bär eller transportera aldrig sågen medan kedjan löper.

1. Bär kedjesågen endast i det främre handtaget med svärdet riktat bakåt.
2. Förvara alltid kedjesågen i ett säkert, torrt och låst utrymme utom räckhåll för barn. Förvara inte kedjesågen utomhus.

UNDERHÅLL

1. Dra alltid ur nätsladden innan justeringar eller underhåll utförs.
2. Kontrollera nätsladden regelbundet så att isoleringen är intakt.
3. Rengör kedjesågen regelbundet.
4. Eventuella skador på plastkåporna måste repareras omedelbart och med vederbörlig omsorg.
5. Använd inte kedjesågen vid fel på avtryckaren. Se till att få den korrekt reparerad.
6. Inte under några omständigheter får ändringar göras på kedjesågen. I annat fall kan inte säkerheten garanteras.
7. Utför inga andra underhålls- eller reparationsarbeten än de som beskrivs i bruksanvisningen. Allt annat arbete måste utföras ett auktoriserat servicecenter.
8. Använd endast originalreservdelar och originaltillbehör som är avsedda för den aktuella modellen. Om andra delar används medför det ökad olycksrisk.
9. Vi tar inget ansvar för olyckor eller skador om icke-godkända svärd, sågkedjor eller andra reservdelar eller tillbehör används.

Första hjälpen



- Arbeta aldrig ensam. Arbeta alltid inom hörhåll för en annan person.

1. Se alltid till att ha första förband tillgängligt under arbete. Förbandslådan måste alltid hållas komplett.
2. Om hjälp behöver tillkallas i händelse av olycka ska följande information uppges:
 - Var inträffade olyckan?
 - Vad inträffade?
 - Hur många personer är skadade?
 - Vilka skador har de skadade personer?
 - Vem rapporterar olyckan?

OBS!

Personer med cirkulationsbesvär som utsätts för kraftiga vibrationer kan drabbas av blodsutgjutningar och skador på nervsystemet.

Vibrationer kan orsaka följande symptom i fingrar, händer och handleder: Domningar (stumhet), darrningar, smärtor, stickningar, färgförändringar i huden och hudförändringar.

Uppsök läkare om du drabbas av något av dessa symptom!

SPARA DESSA ANVISNINGAR.

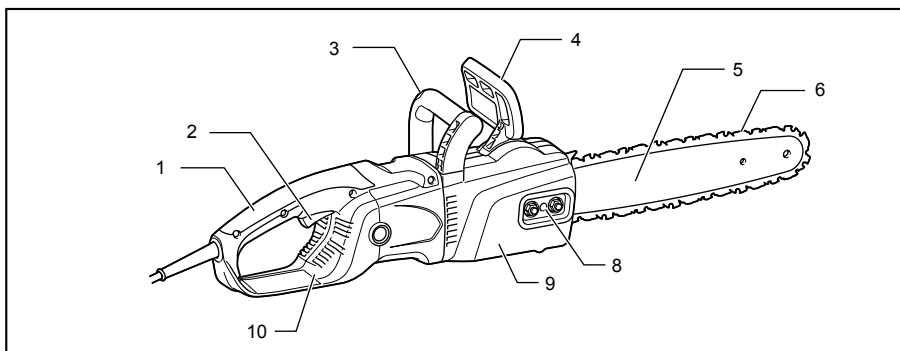
VARNING!

GLÖM INTE att noggrant följa säkerhetsanvisningarna för maskinen även efter det att du har blivit van att använda den. **OVARSAM** hantering eller underlåtenhet att följa säkerhetsanvisningarna i denna bruksanvisning kan leda till allvarliga personskador.

DELAR

(Muttermodell: kopplingskåpan spänns åt av muttrarna.)

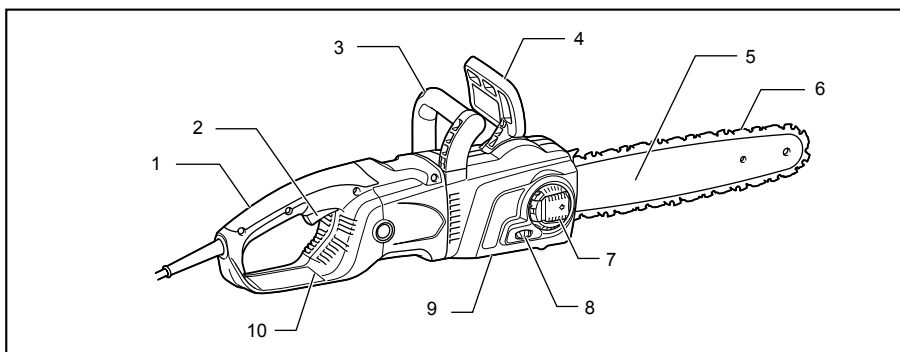
För modell UC3050A, UC3550A, UC3550AP,
UC4050A, UC4550A



014372

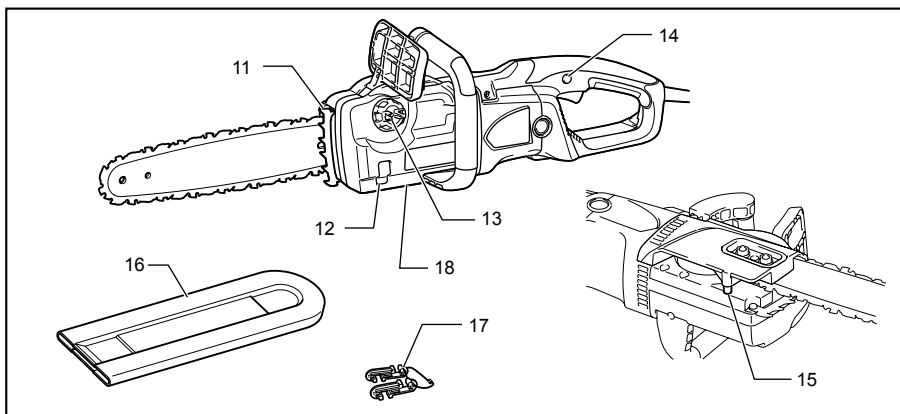
(Spakmodell: kopplingskåpan spänns åt av spaken.)

För modell UC3051A, UC3551A, UC4051A, UC4551A



014373

(För alla modeller)



014514

1	Bakre handtag	7	Spak	13	Oljetankens lock
2	Avtryckare	8	Justeringskruv/kedjesträckare	14	Säkerhetsknapp
3	Främre handtag	9	Kopplingskåpa	15	Kedjefångare
4	Främre handskydd	10	Bakre handskydd	16	Svärdskydd
5	Svärd	11	Barkstöd	17	Kabelhake
6	Sågkedja	12	Oljenivåfönster	18	Justeringskruv för oljepump (på undersidan)

014375

MONTERING

⚠FÖRSIKTIGT!

- Se alltid till att maskinen är avstängd och nätsladden utdragen innan maskinen repareras.

Ta bort eller installera kopplingskåpan

Ta bort kopplingskåpan genom att utföra följande:

(För muttermodeller)

Fig.1

Lossa muttern.

(För spakmodeller)

Fig.2

Tryck på och öppna spaken helt tills den stoppar.
Vrid spaken motsols.

Installera kopplingskåpan genom att utföra stegen ovan i omvänd ordning.

Ta bort eller montera sågkedjan

⚠FÖRSIKTIGT!

- Använd alltid handskar när du hanterar kedjan.
- Utför följande steg för att ta bort sågkedjan:
1. Lossa kopplingskåpan.

2. (För muttermodeller) Vrid kedjusteringskruven motsols för att lätta på sågkedjans sträckning.
(För spakmodeller) Vrid kedjesträckaren i riktning mot "-" för att lätta på sågkedjans sträckning.

Fig.3

Fig.4

3. Ta bort kopplingskåpan.
4. Ta bort kedjan och svärdet från kedjesågen.

Utför följande steg för att installera sågkedjan:

5. Säkerställ kedjans riktning. Pilmärket på kedjan visar dess riktning.

Fig.5

6. Passa in ena änden av sågkedjan på översidan av svärdet och den andra änden runt kedjehjulet.
7. Placera svärdet på kedjesågen.
8. Rikta in sträckningssliden med hålet på svärdet.

Fig.6

9. Håll i svärdet och vrid kedjusteringskruven/kedjesträckaren för att justera sågkedjans sträckning.
10. Placera kopplingskåpan så att hakarna passar in i hålen och att styrtiftet passar i motstycket på kopplingskåpan.

Fig.7

11. Spänn åt kopplingskåpan.

Fig.8

Fig.9

Justering av kedjesträckning

Kedjan kan förlora sin sträckning efter ett antal timmars användning. Kontrollera därför emellanåt kedjesträckningen innan du använder kedjesågen.

1. Lossa lätt på kopplingskåpan.
2. Lyft upp svärdsändan något.
3. Vrid justeringskruven/kedjesträckaren för att justera sågkedjans sträckning.

Fig.10

Fig.11

4. Spänn åt sågkedjan tills den nedre delen av sågkedjan passar in i svärdets skena (se cirkeln).
5. Fortsätt att hålla lätt i svärdet, dra åt kopplingskåpan efter att du justerat kedjespänningen. Se till att sågkedjan inte är lös på den undre sidan.

Se till att sågkedjan ligger tätt mot den undre sidan av svärdet.

⚠FÖRSIKTIGT!

- Sträck inte sågkedjan för mycket. En alltför sträckt kedja kan medföra kedjebrott, ökat slitage på svärdet eller trasig kedjesträckare.
- En kedja som inte är tillräckligt spänd kan hoppa ur sitt spår på svärdet och utgör därför en olycksrisk.
- Montera eller ta bort kedjan på en ren plats fri från sågdamm och liknande.

Ansluta en förlängningskabel

⚠FÖRSIKTIGT!

- Kontrollera att förlängningskabeln inte är ansluten till el-uttaget.

Fig.12

När förlängningskabeln kopplas in, anslut den till kedjesågens kabel med säkerhetskroken.

Fäst kabelkroken cirka 100–200 mm från anslutningen med förlängningskabeln. Detta hjälper att förebygga oavsiktlig fränkoppling.

ANVÄNDNING

⚠FÖRSIKTIGT!

- Håll verktyget stadigt med höger hand på bakre handtaget och vänster hand på främre handtaget när du använder verktyget.

Avtryckarens funktion

Fig.13

⚠FÖRSIKTIGT!

- Se alltid att maskinen är avstängd och bortkopplad innan du kontrollerar avtryckarens funktion.
- Innan du ansluter maskinen till elnätet ska du kontrollera att avtryckaren fungerar och återgår till läget "OFF" när du släpper den.

En startspärr förhindrar oavsiktlig aktivering av avtryckaren.

Tryck in startspärren och tryck sedan på avtryckaren för att starta maskinen. Släpp avtryckaren för att stanna maskinen.

Smörjning

⚠FÖRSIKTIGT!

- Se alltid till att maskinen är avstängd och att nätsladden är urdragen innan du smörjer sågkedjan.

Fig.14

Smörj kedjan och svärdet med en biologiskt nedbrytbar kedjeolja av typen klisterolja. Klisterkomponenten i kedjeolja förhindrar att oljan slungas bort från sågkedjan onödigt snabbt. Mineraloljor ska inte användas eftersom de är skadliga för miljön.

⚠FÖRSIKTIGT!

- Låt inte oljan komma i kontakt med hud och ögon. Kontakt med ögonen orsakar irritation. Skölj omedelbart med rent vatten och kontakta läkare om du får olja i ögonen.
- Använd aldrig gammal motorolja. Redan använda oljor innehåller cancerframkallande ämnen. Föroreningarna i använda oljor medför ökad förorening i oljepump, svärd och kedja. Gammal motorolja är skadlig för miljön.
- När du fyller på kedjeolja för första gången i sågen, eller om du fyller på olja när tanken blivit helt tom, ska du fylla på olja upp till kragen på påfyllningshålet. Oljefördelningen kan annars försämrats.

Fig.15

Utför följande steg för att fylla på olja:

1. Rengör noggrant området runt oljelocket för att förhindra att smuts kommer in i oljetanken.
2. Skruva loss locket och fyll på olja upp till kragen på påfyllningshålet.
3. Skruva på locket ordentligt.
4. Torka omsorgsfullt bort eventuell utspild olja.

OBS!

- När kedjesågen används för första gången kan det ta upp till två minuter innan oljan börjar smörja sågmekanismen. Kör sågen utan belastning tills den automatiska oljesmörjningen har kommit igång (se "KONTROLLER").

KONTROLLER

Kontrollera följande innan arbetet påbörjas:

Kontrollering av kedjesträckningen

⚠VARNING!

- Dra alltid ur nätsladden innan du kontrollerar kedjesträckningen och använd skyddshandskar.

(För muttermodeller)

Fig.16

(För spakmodeller)

Fig.17

Se till att sågkedjan ligger tätt mot den undre sidan av svärdet (se cirkel).

Kontrollera kedjesträckningen ofta eftersom nya kedjor har en tendens att förlängas.

En alltför sträckt kedja kan medföra kedjebrott, ökat slitage på svärdet eller trasig kedjesträckare.

En kedja som inte är tillräckligt spänd kan hoppa ur sitt spår på svärdet och utgör därför en olycksrisk.

Om kedjan är för lös: Se avsnittet "Justering av kedjesträckning" och justera sågkedjans sträckning igen.

Kontrollering av avtryckarens funktion

⚠FÖRSIKTIGT!

Innan du ansluter maskinen till elnätet ska du kontrollera att avtryckaren fungerar och återgår till läget "OFF" när du släpper den.

En startspärr förhindrar oavsiktlig aktivering av avtryckaren.

Tryck in startspärren och tryck sedan på avtryckaren för att starta maskinen. Släpp avtryckaren för att stanna maskinen.

Tryck inte in avtryckaren hårt utan att ha tryckt in startspärren. Det kan skada avtryckaren.

Kontrollering av kedjebroms

OBS!

- Om kedjesågen inte startar ska du kontrollera om kedjebromsen har släppts. Dra handskyddet bakåt till du känner att den kopplar in för att släppa kedjebromsen.

Fig.18

Fig.19

Kontrollera kedjebromsen på följande sätt:

1. Håll kedjesågen med båda händerna när du startar den. Håll bakre handtaget med höger hand och främre handtaget med vänster hand. Se till att svärdet och kedjan inte har kontakt med något föremål.
2. Tryck in startspärren och tryck sedan på avtryckaren. Sågen startar omedelbart.
3. Tryck det främre handskyddet framåt med baksidan av handen. Se till att kedjan stoppar helt.

⚠FÖRSIKTIGT!

- Om kedjan inte stoppar omedelbart ska du inte under några omständigheter använda sågen. Kontakta ett Makita-auktoriserat servicecenter.

Kontrollering av tröghetsbroms

Starta kedjesågen.

Släpp avtryckaren helt. Se till att kedjan stoppar helt inom en sekund.

⚠FÖRSIKTIGT!

- Om kedjan inte stoppar omedelbart ska du inte under några omständigheter använda sågen. Kontakta ett Makita-auktoriserat servicecenter.

Kontrollering av oljeolja

Kontrollera oljenivån i tanken och fördelningen av olja innan arbetet påbörjas.

Oljenivån kan kontrolleras genom siktfnönstret enligt figuren.

Fig.20

Kontrollera oljefördelningen på följande sätt:

Starta kedjesågen.

Håll sågkedjan cirka 15 cm ovanför en stock eller marken medan den går. Om smörjningen är tillräcklig kommer oljan att skapa ett oljespår.

Kontrollera vindriktningen och utsätt inte dig själv för oljestänk i onödan.

⚠FÖRSIKTIGT!

- Om inget oljespår bildas ska sågen inte användas. I annat fall förkortas kedjans livslängd. Kontrollera oljenivån. Rengör oljekanalerna och hålet i svärdet (se "UNDERHÅLL").

Justering av kedjesmörjningen

Fig.21

Du kan justera matningshastigheten för oljepumpen med justeringskruven.

STARTA KEDJESÅGEN

⚠FÖRSIKTIGT!

- Använd alltid ett främre och ett bakre handtag och håll maskinen stadigt med både det främre och det bakre handtaget under användningen.
- Se alltid till att stockar som ska kapas är ordentligt förankrade. I annat fall kan kapade delar orsaka personsador.

Kapning

Fig.22

Vid kapning ska du stöda barkstödet så som visas i figuren, mot stocken.

Medan sågkedjan löper säger du in i stocken genom att lyfta sågen med det bakre handtaget och styra svärdet med det främre. Använd barkskyddet som vridpunkt.

Fortsätt att säga genom att trycka lätt på det främre handtaget och lyfta sågens bakända något. Flytta barkskyddet i sågriktningen och lyft det främre handtaget igen.

Stäng av sågen mellan skären om du ska göra fler kapningar.

⚠FÖRSIKTIGT!

- Du kan få bakåtkast i riktning mot dig om du sågar med svärdets ovansida och kedjan kläms fast. Såga därför med undersidan så att sågen strävar i riktning bort från dig.

Fig.23

Om en sida av stocken är utsatt för tryck ska alltid den tryckutsatta sidan (A) sågas först. Såga därefter slutskäret från den andra sidan (B). På så vis undviker du att svärdet kläms fast.

Fig.24

Kvistning

⚠FÖRSIKTIGT!

- Kvistning får endast utföras av personer med stor erfarenhet av sågning. Kastrisken är stor.

Om möjligt bör sågen stödas mot stammen. Använd inte spetsen på svärdet på grund av kastrisken.

Var särskilt uppmärksam på grenar som är i spänn. Såga inte i fritt hängande grenar från undersidan.

Stå inte på det avverkade trädet vid kvistning.

Spårsågning och sågning parallellt med träfibren

⚠FÖRSIKTIGT!

- Spårsågning och sågning parallellt med träfibren får endast utföras av personer med särskild utbildning. Kastrisken och olycksrisken är stor.

Fig.25

Sågning parallellt med träfibren ska göras i så liten vinkel som möjligt. Dessa typ av skär kräver extra omsorgsfullhet eftersom barkskyddet inte kan användas.

Trädfällning

⚠FÖRSIKTIGT!

- Fällning av träd får endast utföras av särskilt utbildade personer. Arbetet är riskfyllt.

lakta gällande föreskrifter vid fällning av träd.

Fig.26

- Innan du påbörjar arbetet ska du kontrollera följande:
 - (1) Inga obehöriga får finnas inom området.
 - (2) Alla inblandade personer måste ha en säker reträttväg inom ett område av ca 45° på vardera sidan av fällriktningen. Eventuella elkablar som kan befinna sig i fällområdet måste lokaliserars.
 - (3) Det får inte finnas hindrande föremål t ex rötter och grenar på trädets rotdel.
 - (4) Personer eller föremål får inte finnas inom ett avstånd av 2 1/2 trädlängder i trädets fällriktning.

- Beakta följande för respektive träd:
 - Lutningsriktning.
 - Lösa eller torra grenar.
 - Trädets höjd.
 - Naturliga överhäng.
 - Eventuell röta i trädet.
- Beakta vindhastighet och vindriktning. Fäll inte träd när starka vindbyar förekommer.
- Trimning av rötter: Börja med de största rotutskotten. Såga det vertikala skäret först och därefter det horisontella.

Fig.27

- Såga ett riktskär: Riktskåret bestämmer fällriktningen och styr trädet. Riktskåret görs på den sida som trädet ska falla åt. Anlägg riktskåret så nära marken som möjligt. Såga först det horisontella skäret till ett djup på 1/5 - 1/3 av stamdiametern. Gör inte skäret för långt. Såga därefter det diagonala skäret.
- Eventuella korrigeringar av riktskåret ska göras över hela dess bredd.

Fig.28

- Såga fällskäret litet högre upp än riktskårets horisontella skär. Fällskåret måste vara exakt horisontellt. Lämna ungefär 1/10 av stamdiametern mellan fällskär och riktskär. Träfibren i den osågade delen fungerar som ett gångjärn. Stammen får inte under några omständigheter sågas helt igenom eftersom trädet då faller okontrollerat. Sätt i fällkilar i fällskåret så snart skärduppet är tillräckligt.
- Endast kilar av plast eller aluminium får användas för att hålla fällskåret öppet. Järnkilar får inte användas.
- Stå vid sidan av det fallande trädet. Se till att området bakom trädet är tomt i en vinkel av 45° på båda sidor av trädets axel (se figuren med "fällområde"). Var uppmärksam på fallande grenar.
- En flyktväg ska planeras och eventuella hinder undanröjas innan sågningen påbörjas. Flyktvägen ska gå bakåt och diagonalt till den gräns som trädet förväntas att falla, såsom visas i figuren.

Fig.29

UNDERHÅLL

⚠FÖRSIKTIGT!

- Se alltid till att maskinen är avstängd och nätkabeln urdragen innan inspektion eller underhåll utförs.
- Använd alltid handskar vid kontroller och underhåll.
- Använd inte bensin, thinner, alkohol eller liknande. Missfärgning, deformation eller sprickor kan uppstå.

Utför nedanstående underhållsåtgärder regelbundet. Garantianspråk beaktas endast om underhållsåtgärderna har utförts regelbundet och på rätt sätt.

Endast de underhållsåtgärder som beskrivs i denna bruksanvisning får utföras av användaren. Allt annat arbete måste utföras av ett MAKITA-auktoriserat servicecenter.

Rengöring av kedjesåg

Rengör kedjesågen regelbundet med en ren trasa. Det är särskilt viktigt att hålla handtagen fria från olja.

Kontrollering av plastkåpa

Inspektera regelbundet alla delarna av kåpan. Om några delar skada ska de omedelbart och på rätt sätt repareras i ett MAKITA-auktoriserat servicecenter.

Filning av sågkedja

FÖRSIKTIGT!

- Dra alltid ur nätsladden och använd skyddshandskar när du utför arbete på kedjesågen.

Fig.30

Fila kedjan när:

- Du får spåndamm när du sågar i fuktigt trä.
- Kedjan har svårt att såga trots att du trycker hårt med sågen.
- Skärtänderna är synbart skadade.
- Sågen drar åt vänster eller höger i träet. Orsaken till detta är att filningen av sågkedjan har blivit ojämn eller skadad på någon av sidorna.

Fila sågkedjan litet men ofta.

Två eller tre drag med filen är oftast tillräckligt vid rutinmässig filning. Lämna sågkedjan för filning hos ett MAKITA-auktoriserat servicecenter när du har filat om den många gånger.

Filningskriterier:

- Alla skärtänder måste vara lika långa. Om skärtänderna har olika längd löper inte kedjan jämnt och det kan leda till kedjebrott.
- Fila inte kedjan om skärtänderna är endast 3 mm. Kedjan måste då bytas ut.
- Spåntjockleken bestäms av avståndet mellan underställningsklacken (rund nos) och skärtanden.
- Det bästa sågresultatet uppnås med följande höjdskillnad mellan skärtand och underställningsklack.
Kedjebblad 91PX: 0,65 mm

Fig.31

VARNING!

- Ett för stort mått ökar risken för bakåtkast.
- Filningsvinkeln ska vara 30° och måste vara densamma för alla skärtänder. Skillnader i vinkel får kedjan att löpa ryckigt och ojämnt, slitaget ökar och det leder till kedjebrott på kedjan.

- Stötvinkeln bestäms genom rundfilens filningsdjup. När den angivna filen används på rätt sätt erhålls rätt stötvinkel automatiskt.
- Stötvinkel för varje sågkedja är följande:
Kedjebblad 91PX: 80°

Fig.32

Fil och filningsanvisningar

- Fila kedjan med en specialrundfil (valfritt tillbehör) för sågkedjor. Använd inte standardrundfil.
- Diametern för rundfilen för varje sågkedja är som följande:
Kedjebblad 91PX: 4,0 mm
- Fila endast med skjutande tag. Lyft filen från skärtanden när du för filen bakåt.
- Fila den kortaste skärtanden först. Längden för den kortaste skärtanden blir standard för alla andra skärtänder på sågkedjan.

Fig.33

- För filen på det sätt som framgår av figuren.
- Det går lättare att fila om en filmall (tillbehör) används. Filmallen har markeringar för rätt filningsvinkel, 30° (rikta in markeringarna parallellt med sågkedjan), och begränsar filningsdjupet (till 4/5 av filediametern).

Fig.34

- Kontrollera höjden på underställningsklacken med hjälp av specialverktyget (tillbehör) när kedjan är färdigfilad.

Fig.35

- Ta bort eventuellt utskjutande material, avsett hur litet, med en speciell plattfil (tillbehör).
- Runda av främre delen av underställningsklacken igen.

Rengöring av svärd och smörjning av noshjul

FÖRSIKTIGT!

- Använd alltid skyddshandskar under detta arbete. Filningsgrader utgör alltid en olycksrisk.

Fig.36

Kontrollera regelbundet att svärdets löpspar inte är skadade. Rengör med ett lämpligt verktyg och ta bort grader vid behov.

Smörj noshjulet minst en gång i veckan om sågen används ofta. Innan du applicerar nytt smörjmedel ska du noggrant rengöra det 2 mm stora hålet i framkanten på svärdet. Pressa sedan in en liten mängd vanligt smörjfett (tillbehör) i hålet.

Rengöring av oljekanal

Fig.37

- Rengör regelbundet oljekanalerna och hålet i svärdet.

Nya sågkedjor

Använd två eller tre sågkedjor alternerande för att sågkedja, kedjehjul och svärdets löpspar ska slitas jämt. Vänd svärdet samtidigt som du byter kedja för att få ett jämnt slitage.

FÖRSIKTIGT!

- Använd endast kedjor och svärd som är godkända för den här sågmodellen (se "SPECIFIKATIONER").

Fig.38

Kontrollera konditionen på kedjehjulet innan en ny kedja monteras.

FÖRSIKTIGT!

- Ett slitet kedjehjul skadar en ny sågkedja. Byt ut kedjehjulet om det är slitet.

Montera alltid en ny låsring samtidigt som du byter kedjehjul.

Underhåll av kedja och bromssystem

Bromssystemen är mycket viktiga säkerhetsfunktioner. Liksom övriga delar i kedjesågen utsätts de för ett visst slitage. De måste inspekteras regelbundet av ett MAKITA-auktoriserat servicecenter. Denna åtgärd avser att trygga din egen säkerhet.

Byte av kolborstar

Fig.39

Ta bort och kontrollera kolborstarna regelbundet. Byt dem när de är slitna ner till slitmarkeringen. Håll kolborstarna rena så att de lätt kan glida in i hållarna. Båda kolborstarna ska bytas ut samtidigt. Använd endast identiska kolborstar.

Fig.40

Använd en skruvmejsel för att ta bort locken till kolborstarna. Ta ur de utslitna kolborstarna, montera nya och montera locken.

Anslut maskinen till elnätet efter att kolborstarna har byts ut och kör in kolborstarna genom att maskinen körs utan belastning under cirka 10 minuter.

Förvaring av maskin

Biologiskt nedbrytbar kedjeolja har begränsad hållbarhet. Hållbarheten är två år efter tillverkningsdatum. Oljan kan bli alltför vidhäftande och det skadar oljepumpen och smörjsystemets komponenter.

- Innan kedjesågen ställs undan för en längre period ska oljetanken tömmas och fyllas med en liten mängd motorolja (SAE 30).
- Kör kedjesågen en kort stund för att skölja ur resterna av den biologiska oljan ur tank, smörjsystem och sågmekanism.

OBS!

- När kedjesågen inte används kan ett litet oljeläckage noteras under en period. Det är normalt och inget tecken på fel.

Förvara kedjesågen på ett lämpligt underlag.

Innan sågen på nytt tas i bruk ska den fyllas med ny BIOTOP-kedjeolja.

För att upprätthålla produktens SÄKERHET och TILLFÖRLITLIGHET bör allt underhålls- och justeringsarbete utföras av ett auktoriserat Makita servicecenter och med reservdelar från Makita.

FELSÖKNING

Innan du ber om reparation ska du först utföra en egen kontroll. Om du hittar ett problem som inte finns förklarat i bruksanvisningen, ska du inte försöka att ta isär maskinen. Kontakta istället ett Makita- auktoriserat servicecenter.

Felfunktion	Möjlig orsak	Åtgärd
Kedjesågen startar inte.	Ingen strömtillförsel.	Anslut till strömtillförsel. Kontrollera strömtillförseln.
	Fel på kabel.	Avbryt omedelbart användningen av maskinen och kontakta ett auktoriserat servicecenter.
	Fel på verktyget.	Avbryt omedelbart användningen av maskinen och kontakta ett auktoriserat servicecenter.
Kedjan löper inte.	Kedjebromsen är ansatt.	Lossa kedjebromsen.
Otillräcklig effekt.	Kolborstarna är nedslitna.	Be ditt lokala auktoriserade servicecenter om reparation.
Ingen olja på kedjan.	Oljetanken är tom.	Fyll oljetanken.
	Oljekanalerna är smutsiga.	Rengör oljekanalerna.
	Oljepumpsjusteringsskruven felaktigt inställd.	Justera oljepumpens matningshastighet.
Kedjan stoppar inte även om kedjebromsen är ansatt.	Nedslitet bromsband.	Avbryt omedelbart användningen av maskinen och kontakta ett auktoriserat servicecenter.
Maskinen vibrerar onormalt.	Lossa svärdet eller sågkedjan.	Justera svärdet och kedjesträckningen.
	Fel på verktyget.	Avbryt omedelbart användningen av maskinen och kontakta ett auktoriserat servicecenter.

014314

VALFRIA TILLBEHÖR

FÖRSIKTIGT!

- Dessa tillbehör och tillsatser rekommenderas för användning tillsammans med den Makita-maskin som denna bruksanvisning avser. Om andra tillbehör eller tillsatser används kan det uppstå risk för personskador. Använd endast tillbehören eller tillsatserna för de syften de är avsedda för.

Kontakta ditt lokala Makita servicecenter om du behöver ytterligare information om dessa tillbehör.

- Sågkedja
- Svärdskydd
- Svärd
- Kedjeolja

OBS!

- Några av tillbehören i listan kan vara inkluderade i maskinpaketet som standardtillbehör. De kan variera mellan olika länder.

NORSK (originalinstruksjoner)

Oversiktsforklaring

2-1. Spak	12-1. Ledningskrok	19-1. Fremre håndvern
2-2. Kjedefjulbeskyttelse	12-2. Maskinledning	19-2. Åpne
3-1. Justeringskrue	12-3. Skjøteledning	19-3. Låse
4-1. Innstillingshjul	12-4. Støpsel og stikkontakt (formen kan variere fra land til land)	20-1. Siktevindu for oljenivå
5-1. Kjedefjul	13-1. AV-sperreknapp	22-1. Demper
6-1. Sverd	13-2. Startbryter	26-1. Felleområde
6-2. Hull	15-1. Oljefyllingshette	29-1. Felleretning
7-1. Bøyle	15-2. Stropp	29-2. Faresone
7-2. Hull	16-1. Løsne	29-3. Fluktrute
7-3. Stift	16-2. Stramme	31-1. Skjærelengde
9-1. Spak	16-3. Justeringskrue for kjedet	31-2. Avstand mellom snittkanten og rytterne
9-2. Kjedefjulbeskyttelse	16-4. Sverd	31-3. Minimum 3 mm
10-1. Løsne	16-5. Sagkjede	32-1. Sideplatevinkel
10-2. Stramme	17-1. Løsne	37-1. Oljeføringsspor
10-3. Justeringskrue for kjedet	17-2. Stramme	37-2. Oljetilførselshull
10-4. Sverd	17-3. Innstillingshjul	38-1. Kjedefjul
10-5. Sagkjede	17-4. Sverd	39-1. Utskiftingsmerke
11-1. Løsne	17-5. Sagkjede	40-1. Børsteholderhette
11-2. Stramme	18-1. Fremre håndvern	40-2. Skrutrekker
11-3. Innstillingshjul	18-2. Låse	
11-4. Sverd	18-3. Åpne	
11-5. Sagkjede		

TEKNISKE DATA

Modell		UC3050A	UC3051A	UC3550A	UC3550AP	UC3551A	UC4050A	UC4051A	UC4550A	UC4551A
Maks. kjedefhastighet		14,5 m/s (870 m/min)								
Standard sverd	Sverdlengde	300 mm	350 mm			400 mm		450 mm		
	Skjærelengde	260 mm	320 mm			355 mm		415 mm		
	Type styreskinne	Neseskinne for kjedefjul								
Standard sagkjede	Type	91PX								
	Deling	3/8"								
	Antall drivledd	46	52			56		62		
Anbefalt sverdlengde		300 - 450 mm								
Total lengde (uten sverd)		505 mm								
Nettovekt		5,4 kg	5,5 kg	5,5 kg	5,6 kg	5,5 kg	5,6 kg	5,6 kg	5,7 kg	
Skjøteledning (tilleggsutstyr)		DIN 57282/HO 7RN -F L=30 m maks., 3x1,5 mm ²								

- Som følge av vårt kontinuerlige forsknings- og utviklingsprogram kan de tekniske dataene endres uten ytterligere forvarsel.
- Tekniske data kan variere fra land til land.
- Vekt i henhold til EPTA-prosedyre 01/2003

END218-7

Symbol

Nedenfor ser du symbolene som brukes for dette utstyret. Forviss deg om at du forstår hva de betyr, før du begynner å bruke maskinen.



- Les bruksanvisningen og ta hensyn til advarslene og sikkerhetsanvisningene.



- Bruk øyevern.



- Bruk hørselvern.



- DOBBEL ISOLERING



- Forsiktig: Vær meget forsiktig og oppmerksom!



- Forsiktig: trekk støpselet ut av stikkkontakten omgående hvis kabelen er skadet!



- Forsiktig: Tilbakeslag!



- Beskytt mot regn og fuktighet!

-  · Bruk hjelm, vernebriller og hørselsvern!
-  · Bruk vernehansker.
-  · Trekk støpselet ut av stikkkontakten!
-  · Førstehjelp
-  · Maksimal tillatt kuttlengde
-  · Kjedets rotasjonsretning
-  · Kjedeolje
-  · Kjedebremsen er løsnet
-  · Kjedebremsen er trukket til
-  · Forbudt!
-  · Kun for EU-land

Kast aldri elektroutstyr i husholdningsavfallet!

I henhold til EU-direktivet om kasserte elektriske og elektroniske produkter og direktivets iverksetting i nasjonal rett, må elektriske produkter som ikke lenger skal brukes, samles separat og returneres til et miljøvennlig gjenvinningsanlegg.

ENE085-1

Beregnet bruk

Denne maskinen er laget for å skjære i tømmer og stokker.

ENF002-2

Strømforsyning

Maskinen må bare kobles til en strømkilde med samme spenning som vist på typeskiltet, og kan bare brukes med enfase-vekselstrømforsyning. Den er dobbelt verneisolert og kan derfor også brukes fra kontakter uten jording.

ENG905-1

Støy

Typisk A-vektet lydtryknivå er bestemt i henhold til EN60745:

Lydtryknivå (L_{pA}): 90,8 dB (A)
 Lydeffektnivå (L_{WA}): 101,8 dB (A)
 Usikkerhet (K): 2,5 dB (A)

Bruk hørselsvern

ENG900-1

Vibrasjon

Den totale vibrasjonsverdien (triaksial vektorsum) bestemt i henhold til EN60745:

Arbeidsmåte: Saging av tre
 Genererte vibrasjoner (a_h): 5,2 m/s²
 Usikkerhet (K): 1,5 m/s²

- Den angitte verdien for de genererte vibrasjonene er blitt målt i samsvar med standardtestmetoden og kan brukes til å sammenlikne et verktøy med et annet.
- Den angitte verdien for de genererte vibrasjonene kan også brukes til en foreløpig vurdering av eksponeringen.

⚠ ADVARSEL:

- De genererte vibrasjonene ved faktisk bruk av elektroverktøyet kan avvike fra den oppgitte vibrasjonsverdien, avhengig av hvordan verktøyet brukes.
- Vær påpasselig med å finne sikkerhetstiltak som beskytter operatøren, basert på en oppfatning av risiko under faktiske bruksforhold (på bakgrunn av alle sider ved brukssyklusen, som når verktøyet slås av og når det går på tomgang, i tillegg til oppstarten).

ENH021-8

Gjelder bare land i Europa

EF-samsvarserklæring

Makita erklærer at følgende maskin(er):

Maskinbetegnelse:

Kjedesag

Modellnr./type: UC3050A, UC3550A, UC4050A, UC4550A, UC3051A, UC3551A, UC3550AP, UC4051A, UC4551A

Tekniske data: Se tabellen "TEKNISKE DATA".

Samsvarer med følgende europeiske direktiver:

2000/14/EF, 2006/42/EF

De er produsert i henhold til følgende standarder eller standardiserte dokumenter:

EN60745

Den tekniske filen i samsvar med 2006/42/EF er tilgjengelig fra:

Makita, Jan-Baptist Vinkstraat 2, 3070, Belgia

Samsvarsvurderingen som er påkrevet i henhold til direktiv 2000/14/EF, var i samsvar med vedlegg V

Målt lydeffektnivå: 101,9 dB (A)

Garantert lydeffektnivå: 103 dB (A)

8.5.2014



000331

Yasushi Fukaya
 Direktør

Makita, Jan-Baptist Vinkstraat 2, 3070, Belgia

Generelle advarsler angående sikkerhet for elektroverktøy

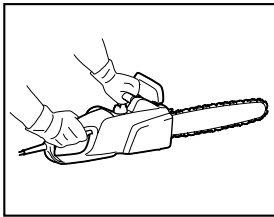
⚠ **ADVARSEL** Les alle sikkerhetsadvarslene og alle instruksjonene. Hvis du ikke følger alle advarslene og instruksjonene som er oppført nedenfor, kan det føre til elektriske støt, brann og/eller alvorlige helseskader.

Oppbevar alle advarsler og instruksjoner for senere bruk.

GEB037-8

Sikkerhetsadvarsler for motorsagen

1. **Hold alle kroppsdeler unna sagkjedet når motorsagen er i gang. Før du starter motorsagen må du forvise deg om at kjedet ikke er borti noe.** Et øyeblikks uoppmerksomhet mens du bruker motorsagen kan være nok til å sette fast klærne eller kroppsdeler i sagkjedet.
2. **Du må alltid holde motorsagen med høyre hånd på det bakre håndtaket og venstre hånd på det fremre håndtaket.** Hvis du holder motorsagen på motsatt vis, øker det faren for helseskader, så det må du følgelig aldri gjøre.
3. **Bare hold maskinen i de isolerte gripeflatene, for sagkjedet kan komme i kontakt med skjulte ledninger eller sin egen ledning.** Hvis et sagkjede kommer i kontakt med en strømførende ledning, vil også uisolerte deler av maskinen gjøres strømførende og kunne gi operatøren elektrisk støt.
4. **Bruk alltid vernebriller og hørselsvern. Det anbefales å bruke ytterligere verneutstyr for hode, hender, bein og føtter.** Passende verneklær vil redusere personskadene som følger av flygende flis eller utilsiktet kontakt med sagkjedet.
5. **Ikke bruk en motorsag mens du er oppe i et tre.** Hvis du bruker en motorsag mens du er oppe i et tre, kan du få helseskader.
6. **Pass på alltid å ha godt fotfeste, og bruk motorsagen kun når du står på et fast, trygt og jevnt underlag.** Glatte eller ustabile overflater, som f.eks. stiger, kan få deg til å miste balansen eller kontrollen over motorsagen.
7. **Når du kutter en gren som står i spenn, må du være forberedt på å måtte hoppe tilbake.** Når spenningen i trefibrene utløses, vil den fjærbelastede grenen kunne slå til operatøren og/eller kaste motorsagen ut av kontroll.
8. **Vær ekstremt forsiktig ved kutting av buskvekster og ungrær.** Det tynne materialet kan sette seg fast i sagkjedet og piskes mot deg eller trekke deg ut av likevekt.
9. **Motorsagen må kun bæres etter det fremre håndtaket, og den må være slått av og peke bort fra kroppen din.** Ved transport eller lagring av motorsagen må sverdbeskytteren alltid settes på. Korrekt håndtering av motorsagen vil redusere sannsynligheten for at du ved et ulykkestilfelle kommer borti det roterende sagkjedet.
10. **Følg instruksjonene for smøring, kjedestramming og skifting av tilbehør.** Et kjede som ikke er strammet eller smurt på riktig måte, kan enten bryte eller øke sjansen for tilbakeslag (kickback).
11. **Hold håndtakene tørre, rene og fri for olje og grease.** Fete, oljete håndtak er glatte og fører til at du mister kontrollen.
12. **Bruk sagen kun på tre. Ikke bruk motorsagen til annet enn det den er konstruert for (riktig bruk). For eksempel: Ikke bruk motorsagen til å kutte plast, mur eller andre byggematerialer enn tre.** Hvis motorsagen brukes til andre operasjoner enn den er konstruert for, kan det resultere i farlige situasjoner.
13. **Årsaker til tilbakeslag og hvordan operatøren kan forhindre dette:**
Tilbakeslag kan oppstå hvis spissen av sverdet kommer borti en gjenstand, eller når treet lukker seg og klemmer fast sagkjedet i snittet.
I noen tilfeller kan det å komme borti noe med spissen føre til en plutselig motsatt rettet reaksjon, så sverdet kastes oppover og tilbake mot operatøren.
Hvis sagkjedet kommer i klem langs oversiden av sverdet, kan sverdet slås raskt tilbake mot operatøren.
Begge disse reaksjonene kan føre til at du mister kontrollen over sagen, og til at du får store helseskader. Ikke stol utelukkende på sikkerhetsanordningene som er innebygd i sagen din. Som bruker av en motorsag bør du treffe flere tiltak for å sikre at sagejobbene dine foregår uten ulykker eller skader.
Tilbakeslag er et resultat av feil bruk av maskinen og/eller feilaktige arbeidsprosedyrer eller arbeidsforhold, og kan unngås hvis man tar de rette forholdsregler (se nedenfor):
 - **Hold maskinen i et fast grep med begge hender, slik at tomlene og fingrene ligger rundt håndtakene på motorsagen, og hold kroppen og armene dine slik at de kan motstå kraften fra maskinen i tilfelle den slår tilbake mot deg.** Kraften i tilbakeslaget kan kontrolleres av operatøren, hvis vedkommende tar sine forholdsregler. Ikke slipp motorsagen.



014316

- **Ikke len deg over verktøyet eller skjær over skulderhøyde.** Da vil du unngå å komme borti med spissen, og du vil ha bedre kontroll over motorsagen i uventede situasjoner.
- **Bare bruk reservesverd og -kjeder som er spesifisert av produsenten.** Feil reservesverd og -kjeder kan føre til kjedebrudd og/eller tilbakeslag.
- **Følg produsentens slipe- og vedlikeholdsanvisninger for sagkjedet.** Hvis du reduserer høyden på rytterne kan du komme til å øke faren for tilbakeslag.

YTTERLIGERE SIKKERHETSREGLER

1. Les denne bruksanvisningen for å bli fortløig med bruken av motorsagen.
2. Før du bruker motorsagen for første gang, må du sørge for å få opplæring i bruken av den. Hvis dette ikke er mulig, må du i det minste øve deg på å kutte rundtømmer på en sagkrakk før du begynner å jobbe.
3. Motorsagen må ikke brukes av barn eller unge mennesker under 18 år. Det kan gjøres unntak for ungdom over 16 år hvis de får opplæring under overoppsyn av en ekspert.
4. Arbeid med en motorsag krever et høyt konsentrasjonsnivå. Ikke jobb med saken hvis du ikke føler deg vel og i form. Utfør alt arbeid rolig og forsiktig.
5. Arbeid aldri under innflytelse av alkohol, rusmidler eller medikamenter.

Riktig bruk

1. Motorsagen er kun beregnet på saging av tre. Ikke bruk den til å kutte for eksempel plast eller porøs betong.
2. Motorsagen må kun brukes til den typen arbeidsoperasjoner som er beskrevet i denne bruksanvisningen. Den må for eksempel **ikke** brukes til å trimme hekker eller liknende formål.
3. Motorsagen må ikke brukes til tømmerhugst, dvs. til felling og kvisting av tre på rot. Kabelen til motorsagen gir ikke operatøren den mobiliteten og sikkerheten som er påkrevet for slikt arbeid.
4. Motorsagen er ikke beregnet på yrkesmessig bruk.
5. Ikke overlaster motorsagen.

Personlig verneutstyr

1. Klærne må være tettsittende, men de må ikke gjøre det vanskelig å bevege seg fritt.
2. Bruk følgende verneklær under arbeidet:
 - Godkjent vernehjelm, hvis det kan være fare for fallende grener eller liknende
 - Ansiktsmaske eller vernebriller
 - Passende hørselsvern (øreklodder, tilpassede eller formbare øreplugger) Oktavanalyse på forespørsel.
 - Faste vernehansker av skinn
 - Langbukser laget av sterkt stoff
 - Vernebukser av et materiale som er motstandsdyktig mot kutt
 - Vernesko eller -støvler med sklisikre såler, stålupp og er laget av et materiale som motstandsdyktig mot kutt
 - Pustemaske ved arbeid som produserer støv (f.eks. saging av tørt tre).

Beskyttelse mot elektrisk støt



- Motorsagen må ikke brukes i fuktig vær eller fuktige omgivelser, da den elektriske motoren ikke er vanntett.
1. Bare plugg saken i kontakter i kontrollerte strømkretser. Sjekk at systemspenningen korresponderer med den som er angitt på typeskiltet. Forsikre deg om at en 16 A linjesikring er koblet til. Sager som brukes utendørs, må være koblet til en reststrømdrevet skillebryter med en driftsstrøm som ikke overstiger 30 mA.
 - Skulle tilkoblingskabelen bli skadet, må støpselet omgående trekkes ut av stikkkontakten.



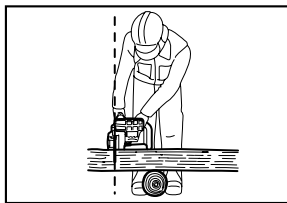
Sikre arbeidsmetoder

1. Før du begynner å jobbe, må du kontrollere at motorsagen er funksjonsdyktig og i så god stand at den oppfyller sikkerhetskravene. Kontroller særlig at:
 - Kjedebremsen virker som den skal
 - Utkoblingsbremsen virker som den skal
 - Sverdet og kjedehjulbeskyttelsen er satt riktig på
 - Kjedet er slipt og strammet i samsvar med reglene
 - Strømkabelen og støpselet er uskadet

Se kapittel "KONTROLLPUNKTER".

2. Særlig må du alltid forvise deg om at skjøteledningen har et passende tverrsnitt (se "SPESIFIKASJONER"). Når du bruker en kabeltrommel, må du rulle kabelen helt av trommelen. Når du bruker saken utendørs, må du passe på at den kabelen som brukes, er beregnet på utendørs bruk og at den har tilsvarende spesifikasjoner.
3. Hold kabelen unna arbeidsområdet, og plasser den slik at den ikke henger seg opp i grener eller liknende mens arbeidet pågår.

4. Ikke bruk motorsagen i nærheten av brennbar støv eller brennbare gasser, da motoren lager gnister og utgjør en **eksplosjonsfare**.
5. Arbeid bare på fast underlag og med godt fotfeste. Vær spesielt oppmerksom på hindringer (f.eks. kabelen) i arbeidsområdet. Vær spesielt forsiktig når fuktighet, is, snø, nysaget tre eller bark kan gjøre overflatene glatte. Ikke stå på stiger eller trær når du bruker sagen.
6. Vær spesielt forsiktig når du arbeider på skrått underlag. Rullende stammer og grener utgjør potensielle faremomenter.
7. Sag aldri over skulderhøyde.
8. **Hold motorsagen med begge hendene når du slår den på og når du bruker den.** Hold det bakre håndtaket med høyre hånd, og det fremre håndtaket med venstre hånd. Hold håndtakene i fast grep med bruk av tommelfingrene. Sverdet og kjedet må ikke berøre noen gjenstander når sagen slås på.

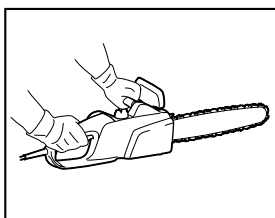


006909

17. Når du beveger deg rundt mellom arbeidsoperasjoner, må du sette på kjedebremsen for at ikke sagen skal kunne settes i gang ved et ulykkestilfelle. Hold motorsagen i det fremre håndtaket når du bærer den, uten å holde fingeren på bryteren.
18. Trekk ut støpselet fra stikkkontakten når du tar pauser, eller når du lar motorsagen ligge uten tilsyn. Legg motorsagen et sted hvor den ikke utgjør noen fare.

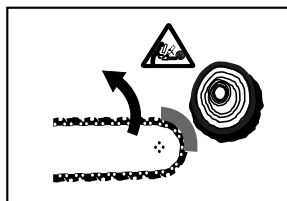
Tilbakeslag (kickback)

1. Farlige tilbakeslag (kickback) kan inntreffe under arbeid med motorsagen. Tilbakeslag inntreffer når spissen av sverdet (særlig den øverste fjerdedelen) kommer i kontakt med tre eller en annen fast gjenstand. Dette fører til at motorsagen kastes tilbake i retning av operatøren.



014316

9. Fjern fremmedlegemer som sand, stein, spiker osv. fra arbeidsområdet. Fremmedlegemer ødelegger sverdet og kjedet og kan forårsake farlige tilbakeslag (kickback).
10. Vær spesielt forsiktig når du sager i nærheten av nettinggjerd (ståltrådgjerd). Ikke sag inn i gjerdet, da sagen kan slå tilbake mot deg.
11. Ikke sag ned i bakken.
12. Kutt enkeltbiter av tre én og én, ikke i bunter eller stabler.
13. Unngå å bruke sagen til å kutte tynne grener og røtter, da disse kan sette seg fast i motorsagen. Det kan være farlig å miste balansen.
14. Bruk et stabilt underlag (en sagkrakk) når du kapper saget tømmer.
15. Ikke bruk motorsagen til å skyve eller børste bort trebiter eller andre gjenstander.
16. Før motorsagen slik at ingen del av kroppen din befinner seg i forlengelsen av motorsagen (se figur).



006919

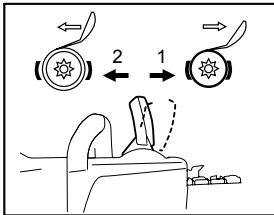
2. For å unngå tilbakeslag må du ta følgende forholdsregler:
 - Begynn aldri sagingen med spissen av sverdet.
 - Sag aldri med spissen av sverdet. Vær spesielt forsiktig når du gjenopptar saging i allerede påbegynte snitt.
 - Start sagingen mens kjedet går.
 - Kjedet må alltid slipes på riktig måte. Særlig må rytterne stilles til riktig høyde.
 - Sag aldri gjennom flere grener på én gang.
 - Ved kvisting må du passe på at sverdet ikke kommer i kontakt med andre grener.
 - Når du sager opp stokker, må du styre klar av nabostammer. Hold alltid øye med spissen av sverdet.
 - Bruk sagkrakk.

Sikkerhetsfunksjoner

1. Kontroller alltid at sikkerhetsmekanismene fungerer før du begynner arbeidet. Ikke bruk motorsagen hvis sikkerhetsmekanismene ikke fungerer som de skal.

- **Kjedebremser:**

Motorsagen er utstyrt med en kjedebremser som stopper motorsagen i løpet av en brøkdell av et sekund. Den aktiveres når håndvernet skyves forover. Sagkjedet stopper da i løpet av 0,15 sekunder, og strømtilførselen til motoren brytes.



1. Kjedebremser på
2. Kjedebremser av

014317

- **Utkoblingsbremser:**

Motorsagen er utstyrt med en utkoblingsbremser som stopper sagkjedet omgående når AV/PÅ-bryteren slippes. Dette hindrer den faren som ville oppstått om sagkjedet fortsatte å gå når motoren var slått av.

- **Fremre og bakre håndvern** beskytter brukeren mot skader på grunn av tre som kan bli slengt bakover, eller et avslitt sagkjede.
- **PÅ-sperren** hindrer at motorsagen blir slått på uten at det er tilsiktet.
- **Kjedefangeren** beskytter brukeren mot skader i tilfelle kjedet hopper av eller ryker.

Transport og lagring



Når motorsagen ikke skal brukes på en stund, eller når den skal transporteres, må du trekke støpselet og sette på sverddekselet som fulgte med sagen. Motorsagen må aldri bæres eller transporteres mens sagkjedet går.

1. Motorsagen må kun bæres etter det fremre håndtaket, med sverdet pekende bakover.
2. Oppbevar motorsagen utilgjengelig for barn, i et sikkert, tørt og låst rom. Ikke oppbevar motorsagen utendørs.

VEDLIKEHOLD

1. Trekk støpselet ut av stikkontakten før du utfører noen form for justeringer eller vedlikehold.
2. Kontroller regelmessig at isolasjonen til strømkabelen ikke er skadet.
3. Rengjør motorsagen med jevne mellomrom.
4. Sørg for at alle skader på plasthuset blir reparert ordentlig og omgående.
5. Ikke bruk sagen hvis ikke startbryteren fungerer skikkelig. Sørg for å få den reparert på skikkelig måte.
6. Motorsagen må under ingen omstendigheter modifiseres. Det er din sikkerhet det gjelder.

7. Ikke utfør andre typer vedlikehold eller reparasjoner enn de som er beskrevet i denne bruksanvisningen. Alt annet arbeid må utføres av godkjente servicesentre.
8. Bruk kun originale reservedeler og originalt tilbehør beregnet for sagmodellen. Bruk av andre deler øker faren for en ulykke.
9. Vi kan ikke ta på oss noe ansvar for ulykker eller skade hvis det brukes ikke-godkjente sverd, sagkjeder eller andre typer ikke-godkjente reservedeler eller tilbehør.

Førstehjelp



Ikke jobb alene. Jobb alltid innenfor hørevidde av en annen person.

1. Sørg for at du alltid har et førstehjelpsskrin tilgjengelig. Når du bruker noe fra førstehjelpsskrinet, må du sørge for å komplettere innholdet omgående.
2. Hvis du trenger assistanse i forbindelse med en ulykke, må du gi følgende opplysninger:
 - Hvor skjedde ulykken?
 - Hva skjedde?
 - Hvor mange mennesker er skadet?
 - Hvilke skader har du?
 - Hvem rapporterer om ulykken?

MERK:

Hvis personer som har problemer med blodtrykket utsettes for vibrasjoner, kan det føre til skader på blodkar eller nervesystemet.

Som følge av vibrasjoner kan følgende symptomer oppstå på fingre, hender eller håndledd: Kroppsdeler "sovner" (nummenhet), kiling, smerter, stikkende følelse, endring av hudfargen eller av huden.

Tilkall lege hvis disse symptomene oppstår!

TA VARE PÅ DISSE INSTRUKSENE.

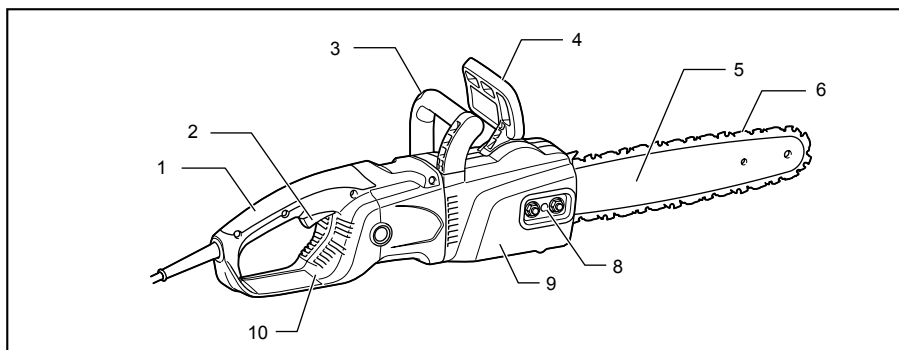
⚠ADVARSEL:

Selv om du har brukt produktet mye og føler deg fortrolig med det, er det likevel svært viktig at du følger nøye de retningslinjene for sikkerhet som er utarbeidet for dette produktet. **MISBRUK** av verktøyet eller mislighold av sikkerhetsreglene i denne brukerhåndboken kan resultere i alvorlige helseskader.

DELEBETEGNELSER

(Modeller med muttere: kjedehjulbeskyttelsen strammes ved hjelp av muttere.)

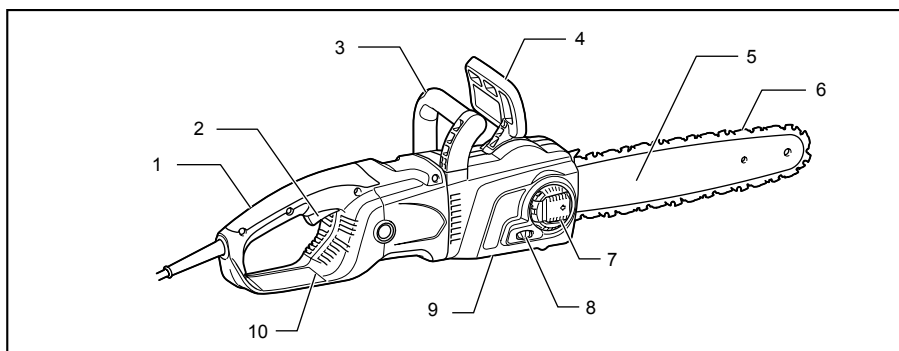
For modell UC3050A, UC3550A, UC3550AP, UC4050A, UC4550A



014372

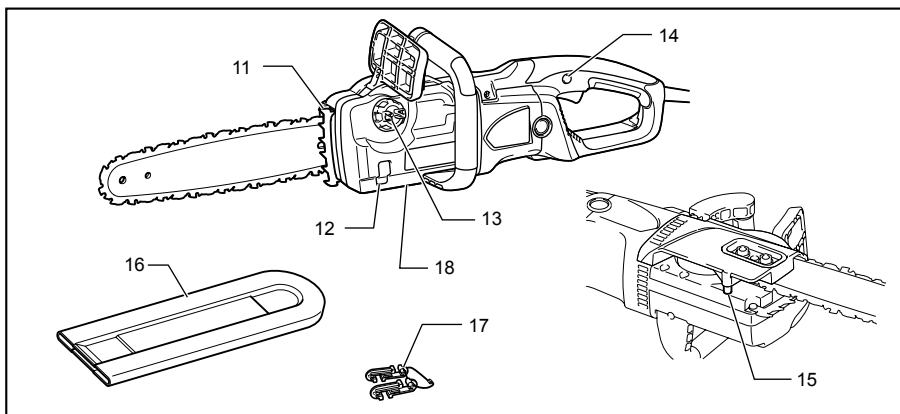
(Modeller med spak: kjedehjulbeskyttelsen strammes ved hjelp av en spak.)

For modell UC3051A, UC3551A, UC4051A, UC4551A



014373

(For alle modeller)



014514

1	Bakre håndtak	7	Spak	13	Oljepåfyllingshette
2	Startbryter	8	Justeringskrue/innstillingshjul	14	AV-sperreknapp
3	Håndtak foran	9	Kjedehjulbeskyttelse	15	Kjedefanger
4	Fremre håndvern	10	Bakre håndvern	16	Sverddeksel
5	Sverd	11	Demper	17	Ledningskrok
6	Sagkjede	12	Siktevindu for oljenivå	18	Justeringskrue for oljepumpe (på undersiden)

014375

MONTERING

⚠FORSIKTIG:

- Forviss deg alltid om at maskinen er slått av og støpselet trukket ut av kontakten før du utfører noe arbeid på maskinen.

Fjerne eller montere kjedehjulbeskyttelsen

Du fjerner kjedehjulbeskyttelsen ved å utføre følgende trinn:
(Formodeller med muttere)

Fig.1

Løsne mutteren.

(Formodeller med spak)

Fig.2

Trykk og åpne spaken helt, inntil den stopper.

Vri spaken mot klokken.

Du monterer kjedehjulbeskyttelsen ved å utføre trinnene nevnt over, i motsatt rekkefølge.

Ta av eller montere sagkjedet

⚠FORSIKTIG:

- Bruk alltid hansker når du monterer eller demonterer sagkjedet.

Bruk følgende trinn for å ta av sagkjedet:

1. Løsne kjedehjulbeskyttelsen.
2. (For modeller med muttere) Vri kjedejusteringskruen mot klokken for å frigjøre sagkjedespennt.
(For modeller med spak) Vri innstillingshjulet i retningen "-" for å løsne sagkjedespennt.

Fig.3

Fig.4

3. Ta av kjedehjulbeskyttelsen.
4. Fjern sagkjedet og sverdet fra sagen.

Du monterer sagkjedet ved å utføre følgende trinn:

5. Pass på kjedets retning. Pilmerket på kjedet viser kjedets retning.

Fig.5

6. Sett inn den ene enden av sagkjedet på toppen av sverdet, og den andre enden rundt kjedehjulet.
7. Plasser sverdet på kjedesagen.
8. Tilpass strammesleiden til hullet i sverdet.

Fig.6

9. Mens du holder sverdet vrir du kjedejusteringskruen/innstillingshjulet for å justere spennet til sagkjedet.

10. Plasser kjedehjulbeskyttelsen slik at krokene er festet langs hullene og splinten passer inn i motstykket på kjedehjulbeskyttelsen.

Fig.7

11. Stram kjedehjulbeskyttelsen.

Fig.8

Fig.9

Justere strammingen av sagkjedet

Sagkjedet kan bli løsere etter mange timers bruk. Fra tid til annen må du kontrollere strammingen av sagkjedet før bruk.

1. Løsne kjedehjulbeskyttelsen lett.
2. Løft enden på sverdet litt oppover.
3. Vri på justeringsskruen/innstillingshjulet for å justere spennet til sagkjedet.

Fig.10

Fig.11

4. Stram til sagkjedet inntil den nedre delen av sagkjedet passer til skinnen til sverdet (se sirkelen).
5. Fortsett å holde lett i sverdet, og stram til kjedehjulbeskyttelsen etter at du har justert sagkjedespenntet. Kontroller at sagkjedet ikke løsner på den nedre siden.

Kontroller at sagkjedet ligger tett inntil den nedre siden av sverdet.

⚠FORSIKTIG:

- Unngå at sagkjedet strammes for hardt. Altfor kraftig stramming av sagkjedet kan forårsake brudd på sagkjedet, slitasje på sverdet og brudd på innstillingshjulet.
- Et kjede som er for løst kan hoppe av sverdet, og utgjør derfor en ulykkesrisiko.
- Utfør prosedyren for montering eller avmontering av sagkjedet på et rent sted uten sagmugg o.l.

Koble til skjøteledning

⚠FORSIKTIG:

- Pass på at skjøteledningen ikke er koblet til strømmettet.

Fig.12

Når du begynner å bruke skjøteledningen, må du feste den til kjedesagens ledning ved hjelp av ledningskrokene.

Fest kroken ca. 100 - 200 mm fra kontakten til skjøteledningen. Dette vil bidra til å hindre utilsiktet frakobling.

BRUK

⚠FORSIKTIG:

- Hold verktøyet godt fast med høyre hånd på det bakre håndtaket og venstre hånd på det fremre håndtaket når du bruker verktøyet.

Bryterfunksjon

Fig.13

⚠FORSIKTIG:

- Pass alltid på at verktøyet er slått av og koblet fra strømtilførselen før du sjekker startbryterens funksjon.
- Før du kobler maskinen til strømmettet, må du alltid kontrollere at startbryteren aktiverer maskinen på riktig måte og går tilbake til "AV"-stilling når den slippes.

For å unngå at startbryteren trykkes inn ved en feiltakelse, er maskinen utstyrt med en AV-sperreknapp. For å starte maskinen må du trykke inn AV-sperreknappen og trykke på startbryteren. Slipp startbryteren for å stoppe maskinen.

Smøring

⚠FORSIKTIG:

- Forviss deg alltid om at maskinen er slått av og støpselet trukket ut av kontakten før du smører sagkjedet.

Fig.14

Smør sagkjedet og sverdet med en biologisk nedbrytbar sagkjedeolje med klebemiddel. Klebemidlet i sagkjedeoljen forhindrer at oljen slynges bort fra sagen med én gang. Ikke bruk mineralolje, da slik olje er skadelig for miljøet.

⚠FORSIKTIG:

- Unngå hudkontakt med oljen, og unngå å få den i øynene. Olje i øynene kan forårsake irritasjon. Hvis du får olje i øynene, må du omgående skylle med vann og oppsøke lege så snart som mulig.
- Bruk aldri spillolje. Spillolje inneholder kreftfremkallende substanser. De forurensende stoffene i spillolje gir enda raskere slitasje av oljepumpen, sverdet og kjedet. Spillolje er skadelig for miljøet.
- Når du fyller kjedeolje på sagen for første gang, eller når du fyller tanken etter at den har vært kjørt helt tom, må du fylle på olje til nederst på påfyllingsstussen. Ellers kan oljetilførselen bli for dårlig.

Fig.15

Utfør følgende trinn for å fylle på olje:

1. Rengjør grundig området rundt oljepåfyllingshetten for å hindre forurensninger i å komme inn i oljetanken.
2. Skru av oljepåfyllingshetten og fyll på olje til nederst på påfyllingsstussen.
3. Skru oljepåfyllingshetten ordentlig på igjen.
4. Tørk forsiktig av eventuelt oljesøl.

MERK:

- Når kjedesagen brukes for første gang, kan det ta opptil to minutter før kjedeoljen begynner å smøre

sågmekanismen. Kjør sagan uten belastning inntil smøringen begynner (se "KONTROLLER").

KONTROLLER

Før du begynner arbeidet, må du utføre følgende kontroller:

Kontroll av kjedestrømmingen

⚠ADVARSEL:

- Før du kontrollerer kjedestrømmingen, må du alltid trekke ut støpselet av stikkkontakten og ta på deg vernehansker.

(Formodeller med muttere)

Fig.16

(Formodeller med spak)

Fig.17

Kontroller at sagkjedet ligger tett inntil den nedre siden av sverdet (se sirkelen).

Kontroller kjedestrømmingen hyppig, da nye kjeder har en tendens til å strekke seg.

Altfor kraftig strømming av sagkjedet kan forårsake brudd på sagkjedet, slitasje på sverdet og brudd på innstillingshjulet.

Et kjede som er for løst kan hoppe av sverdet, og utgjør derfor en ulykkesrisiko.

Hvis kjedet er for løst: Slå opp i kapitlet "Justere strømmingen av sagkjedet", og juster sagkjedestrømmingen på nytt.

Kontrollere bryterfunksjonen

⚠FORSIKTIG:

Før du kobler maskinen til strømmettet, må du alltid kontrollere at startbryteren aktiverer maskinen på riktig måte og går tilbake til "AV"-stilling når den slippes.

For å unngå å startbryteren trykkes inn ved en feiltakelse, er maskinen utstyrt med en AV-sperreknapp. For å starte maskinen må du trykke inn AV-sperreknappen og trykke på startbryteren. Slipp startbryteren for å stoppe maskinen.

Ikke trykk hardt på startbryteren uten å trykke på AV-sperreknappen. Dette kan få bryteren til å brette.

Kontroll av kjedebremsen

MERK:

- Hvis kjedesagen ikke vil starte, må du kontrollere at kjedebremsen er i frigjort posisjon. Hvis du vil sette kjedebremsen i frigjort posisjon, trekker du håndvernet bakover inntil du kjenner at den aktiveres.

Fig.18

Fig.19

Slik sjekker du kjedebremsen:

1. Hold kjedesagen med begge hender når du slår den på. Hold det bakre håndtaket med høyre hånd, og det fremre håndtaket med venstre hånd. Pass på at sverdet og kjedet ikke kommer i kontakt med andre objekter.

2. Trykk først på AV-sperreknappen og deretter på startbryteren. Sagkjedet starter umiddelbart.
3. Skyv det fremre håndvernet forover med håndbaken. Pass på at sagkjedet stopper fullstendig.

⚠FORSIKTIG:

- Hvis sagkjedet ikke stopper umiddelbart, må du ikke under noen omstendighet bruke sagan. Rådfør deg med Makitas godkjente servicesentre.

Kontroll av utkoblingsbremsen

Slå på kjedesagen.

Slipp startbryteren helt. Kontroller at sagkjedet stopper helt innen et sekund.

⚠FORSIKTIG:

- Hvis sagkjedet ikke stopper umiddelbart, må du ikke under noen omstendighet bruke sagan. Rådfør deg med Makitas godkjente servicesentre.

Kontroll av kjedesmøreren

Sjekk oljenivået i tanken samt oljetilførselen før oppstart. Oljenivået er synlig i oljenivåglasset vist på figuren.

Fig.20

Kontroller oljetilførselen som følger:

Start kjedesagen.

Når sagan går, må du holde sagkjedet ca. 15 cm over en trestamme eller over bakken. Hvis smøringen er passelig, vil oljespruten lage et svakt oljespor.

Legg merke til vindretningen, og ikke utsett deg for unødvendig oljesprut.

⚠FORSIKTIG:

- Hvis det ikke dannes noe oljespor, må du ikke bruke sagan. Ellers vil kjedets levetid bli redusert. Kontroller oljenivået. Rengjør oljetilførselssporet og oljetilførselshullet i sverdet (se "VEDLIKEHOLD").

Justere kjedesmøringen

Fig.21

Du kan justere tilførselshastigheten for oljepumpen med justeringsskruen.

ARBEIDE MED KJEDESAGEN

⚠FORSIKTIG:

- Bruk alltid et fremre håndtak og et bakre håndtak, og hold verktøyet i både det fremre håndtaket og det bakre håndtaket under bruk.
- Pass alltid på å sikre tømmeret som skal kuttes, hvis ikke kan fragmenter forårsake personskade.

Sage opp en stokk i kubber

Fig.22

Når du skal sage opp en stokk i kubber, må du la demperen vist på figuren ligge på stokken som skal kappes.

Sag inn i treet med løpende sagkjede, idet du bruker det bakre håndtaket til å løfte sagen og det fremre til å styre den. Bruk den demperen som dreiepunkt.

Fortsett snittet ved å legge lett trykk på det fremre håndtaket mens du trekker sagen noe tilbake. Beveg demperen lenger ned langs stokken og hev det fremre håndtaket igjen.

Når du lager flere snitt, må du slå av sagen mellom snittene.

⚠FORSIKTIG:

- Hvis den øvre kanten av sverdet brukes til saging, kan sagen kastes mot deg hvis kjedet setter seg fast. Derfor må du sage med den nedre kanten, slik at sagen eventuelt kastes bort fra deg.

Fig.23

Tre som står i spenn må sages på trykksiden (A) først. Lag så det siste snittet på strekksiden (B). På denne måten unngår du at sverdet setter seg fast.

Fig.24

Kvisting

⚠FORSIKTIG:

- Kvisting må kun utføres av brukere som har fått opplæring i dette. Risikoen for tilbakeslag er et faremoment.

Når du kvister, må du støtte sagen mot stammen hvis det er mulig. Ikke sag med spissen av sverdet, da dette medfører fare for tilbakeslag.

Vær spesielt oppmerksom på grener som står i spenn. Fritthengende grener må ikke kappes fra undersiden.

Ikke stå på den felte stammen under kvisting.

Uthuling og snitt som følger fiberretningen

⚠FORSIKTIG:

- Uthuling og snitt som følger fiberretningen må bare utføres av personer som har fått spesialopplæring. Muligheten for tilbakeslag utgjør en skaderisiko.

Fig.25

Snitt som følger fiberretningen må utføres i en så stump vinkel som mulig. Utfør snittet så nøyaktig som mulig, da demperen ikke kan brukes.

Trefelling

⚠FORSIKTIG:

- Trefelling må kun utføres av personer som har fått opplæring i dette. Arbeidet er farlig.

Følg lokale bestemmelser hvis du ønsker å felle et tre.

Fig.26

- Før du begynner med trefellingen, må du forvisse deg om at:
 - (1) Ingen andre personer enn de som deltar i trefellingen befinner seg i nærheten

(2) Alle som deltar i trefellingen har uhindret tilgang til en vei ut av området innenfor en vinkel på ca. 45 ° på hver side av fellingsaksen. Ta hensyn til det ekstra faremomentet som består i at man kan snuble i elektriske ledninger.

(3) Foten av stammen er fri for fremmedlegemer, røtter og grener.

(4) Ingen personer eller gjenstander befinner seg nærmere enn 2 1/2 trelengde i den retningen treet vil falle.

- Ta hensyn til følgende når det gjelder hvert enkelt tre:

- Hvilken vei det lener seg
- Løse eller tørre grener
- Treets høyde
- Naturlig overheng
- Hvorvidt treet er råttent eller ikke

- Ta hensyn til vindhastigheten og vindretningen. Ikke fell trær i sterk vind.

- Trimme røtter: Begynn med de største røttene. Foreta det vertikale kuttet først, og deretter det horisontale.

Fig.27

- Lag et styreskjær: Styreskjæret avgjør hvilken retning treet vil falle, og styrer det. Det gjøres på den siden treet skal falle mot. Lag styreskjæret så nær bakken som mulig. Lag først et horisontalt snitt til en dybde på 1/5 -1/3 av stammediametere. Ikke lag styreskjæret for stort. Utfør så det diagonale snittet.
- Ved eventuelle korreksjoner på styreskjæret må disse gjøres over hele bredden.

Fig.28

- Lag hovedskjæret litt høyere enn bunnsnittet av styreskjæret. Hovedskjæret må sages helt vannrett. La ca. 1/10 av stammediametere være igjen mellom hovedskjæret og styreskjæret. Trefibrene i den ukappede stammedelen fungerer som hengsel. Du må under ingen omstendigheter kutte helt gjennom fibrene, da treet i så fall vil falle uhindret. Sett inn kiler i hovedskjæret i tide.
- Bruk kun plast- eller aluminiumkiler til å holde hovedskjæret åpent. Det er forbudt å bruke jernkiler.
- Stå til siden for det fallende treet. La det være et åpent område bak det fallende treet i en vinkel på opptil 45 ° på hver side av treets akse (se figuren over "felleområdet"). Vær oppmerksom på fallende grener.
- Før sagingen begynner bør en fluktrute planlegges og, ved behov, ryddes. Fluktruten bør gå bak operatøren og diagonalt på motsatt side av forventet falllinje, som vist på figuren.

Fig.29

VEDLIKEHOLD

⚠FORSIKTIG:

- Forviss deg alltid om at maskinen er slått av og støpselet trukket ut av kontakten før du foretar inspeksjon eller vedlikehold.
- Bruk alltid hansker når du utfører inspeksjon eller vedlikehold.
- Aldri bruk gasolin, bensin, tynner alkohol eller lignende. Det kan føre til misfarging, deformering eller sprekkdannelse.

Utfør vedlikeholdsarbeidet som er beskrevet nedenfor med jevne mellomrom. Garantikrav aksepteres kun hvis disse arbeidsoperasjonene er utført regelmessig og ordentlig.

Brukeren må kun utføre vedlikeholdsarbeid beskrevet i denne bruksanvisningen. Alt annet arbeid må utføres av MAKITAs godkjente servicesentre.

Rengjøre kjedesagen

Rengjør kjedesagen jevnlig med en ren fille. Særlig håndtakene må holdes fri for olje.

Kontroll av plasthuset

Utfør regelmessige visuelle inspeksjoner av alle deler av huset. Hvis noen av delene er skadet, må de repareres umiddelbart på et av MAKITAs godkjente servicesentre.

Slipe sagkjedet

⚠FORSIKTIG:

- Før du utfører arbeidet på sagkjedet, må du alltid trekke ut støpselet fra stikkkontakten og ta på deg vernehansker.

Fig.30

Slip sagkjedet når:

- Det dannes melaktig sagflis når du sager i vått tre
- Kjedet har problemer med å trenge gjennom treet, selv når du legger kraftig press på sagen
- Snittkanten er synlig skadet
- Sagen trekker til venstre eller høyre i treet. Årsaken til denne oppførselen er ujevn sliping av sagkjedet, eller at den ene siden av det er skadet.

Slip sagkjedet hyppig, men fjern bare litt materiale hver gang.

To eller tre strøk med en fil er vanligvis nok ved rutinemessig sliping. Når sagkjedet er blitt slipt om igjen flere ganger, bør du få det slipt hos et av MAKITAs godkjente servicesentre.

Slipekriterier:

- Alle tannlengder må være like. Tenner av ulik lengde hindrer at kjedet løper jevnt, og kan få kjedet til å ryke.
- Ikke slip kjedet når minste tannlengde på 3 mm er nådd. Da må du montere et nytt kjede.
- Spontykkelsen bestemmes av avstanden mellom rytterne (rund nese) og snittkanten.

- De beste sageresultatene oppnås med følgende avstand mellom snittkanten og rytterne.
Sagblad 91PX: 0,65 mm

Fig.31

⚠ADVARSEL:

- For stor avstand øker risikoen for tilbakeslag.
- Slipevinkelen på 30° må være lik på alle tennene. Ulikheter i vinkelen kan få kjedet til å gå ujevnt, øke slitasjen og føre til kjedebrudd.
- Tannens sideplatevinkel bestemmes av hvor langt den runde filen går inn. Hvis den spesifiserte filen brukes riktig, vil den korrekte sideplatevinkelen produseres automatisk.
- Sideplatevinkel for hvert sagkjede er som følger:
Sagblad 91PX: 80°

Fig.32

Fil og filføring

- Bruk en spesiell rundfil (valgfritt tilbehør) for sagkjedet hvis du ønsker å slipe det. Vanlige runde filer kan ikke brukes.
- Diameter for den runde filen for hvert sagkjede er som følger:
Sagblad 91PX: 4,0 mm
- Filen må bare berøre tannen på vei forover. Løft filen av tannen på vei tilbake.
- Slip den korteste tannen først. Den korteste tannens lengde blir standarden for alle tennene på sagkjedet.

Fig.33

- Før filen som vist på figuren.
- Filen kan føres enklere ved hjelp av en filholder (ekstrauststyr). Filholderen har merker for korrekt slipevinkel på 30° (legg merke parallelt med sagkjedet) og begrenser inntrengningsdybden (til 4/5 av fildiameteren).

Fig.34

- Når kjedet er slipt, må du kontrollere høyden på rytterne ved hjelp av kjedemalen (ekstrauststyr).

Fig.35

- Fjern eventuelt fremstikkende materiale, uansett hvor lite det dreier seg om, med en flat spesialfil (ekstrauststyr).
- Rytterne rundes av igjen i forkant.

Rengjøre sverdet og smøre taggrinsen

⚠FORSIKTIG:

- Bruk alltid vernebriller når du utfører denne oppgaven. Gradkanter utgjør en skaderisiko.

Fig.36

Kontroller regelmessig at de løpende overflatene på sverdet ikke er skadet. Rengjør dem med et passende verktøy, og fjern gradkanter ved behov.

Hvis sagkjedet brukes ofte, må du smøre lageret til taggrinnsen minst én gang i uken. Før du påfører nytt fett, må du rengjøre det 2 mm store hullet på spissen av sverdet forsiktig, og deretter presse en liten mengde flerbruksfett (ekstrautstyr) inn i hullet.

Rengjøre oljeføringen

Fig.37

- Rengjør oljeføringssporet og oljetilførselshullet i sverdet med jevne mellomrom.

Nye sagkjeder

Bytt på å bruke to eller tre sagkjeder, slik at sagkjedet, kjedehjulet og de løpende overflatene på sverdet slites jevnt.

Snu sverdet når du skifter kjede, så sverdsporet slites jevnt.

⚠FORSIKTIG:

- Bruk kun kjeder og sverd som er godkjent for bruk med denne sagmodellen (se "SPESIFIKASJONER").

Fig.38

Før du monterer et nytt sagkjede, må du sjekke tilstanden til kjedehjulet.

⚠FORSIKTIG:

- Et slitt kjedehjul vil ødelegge et nytt sagkjede. Skift i så fall ut kjedehjulet.

Monter alltid en ny låsering når du skifter kjedehjulet.

Vedlikeholde kjedet og utkoblingsbremsen

Bremssystemene er meget viktige sikkerhetsfunksjoner. Som alle andre komponenter av kjedesagen, er også de utsatt for en viss slitasje. De må kontrolleres jevnlig av et av MAKITAs godkjente servicesentre. Dette tiltaket tjener din egen sikkerhet.

Skifte kullbørster

Fig.39

Fjern og kontroller kullbørstene med jevne mellomrom. Skift dem når de er slitt ned til utskiftingsmerket. Hold kullbørstene rene og fri til å bevege seg i holderne. Begge kullbørstene må skiftes samtidig. Bruk bare identiske kullbørster.

Fig.40

Bruk en skrutebrett til å fjerne børsteholderhettene. Ta ut de slitte kullbørstene, sett i nye, og fest børsteholderhettene.

Når du har skiftet børster, skal du koble til verktøyet og innkjøre børstene ved å la verktøyet gå uten belastning i 10 minutter.

Oppbevaring av maskinen

Biologisk nedbrytbar sagkjedeolje kan bare oppbevares i en begrenset periode. Fra og med to år etter produksjonsdatoen begynner biologiske oljer å anta en klebrig kvalitet, og vil skade oljepumpen og komponentene i smøresystemet.

- Før du tar kjedesagen ut av drift for en lengre periode, må du tømme oljetanken og fylle den med en liten mengde motorolje (SAE 30).
- Kjør kjedesagen kort for å skylle alle rester av den biologiske oljen ut av tanken, smøresystemet og sagmekanismen.

MERK:

- Når kjedesagen tas ut av bruk, vil små mengder olje lekke fra den en stund etterpå. Dette er normalt, og ikke et tegn på at noe er galt.

Oppbevar kjedesagen på et egnet underlag.

Før du tar saken i bruk igjen, må du fylle fersk BIOTOP sagkjedeolje.

For å opprettholde produktets SIKKERHET og PÅLITELIGHET, må reparasjoner, vedlikehold og justeringer utføres av Makitas autoriserte servicesentre, og det må alltid brukes reservedeler fra Makita.

FEILSØKING

Før du bestiller reparasjon, bør du inspisere utstyret selv. Hvis du får problemer som ikke er beskrevet i håndboken, må du ikke ta fra hverandre verktøyet. Rådføre deg i stedet med Makitas godkjente servicesentre.

Feilstatus	Sannsynlig årsak	Avhjelpende tiltak
Kjedesagen vil ikke starte.	Ingen strømtilførsel.	Koble til strømtilførselen. Sjekk strømtilførselen.
	Kabel defekt.	Slutt å bruke verktøyet umiddelbart og spør nærmeste godkjente servicesenter.
	Verktøysvikt.	Slutt å bruke verktøyet umiddelbart og spør nærmeste godkjente servicesenter.
Kjedet går ikke.	Kjedebremsen er koblet til.	Løsne kjedebremsen.
Utilstrekkelig ytelse.	Kullbørsten er nedslitt.	Be nærmeste autoriserte serviceverksted reparere utstyret.
Ingen olje på kjedet.	Oljetanken er tom.	Fyll oljetanken.
	Oljeføringssporet er tilsmusset.	Rengjør sporet.
	Justeringsskrue for oljepumpe er feilaktig justert.	Juster oljepumpens tilførselshastighet.
Kjedet stopper ikke selv når kjedebremsen er aktivert.	Slitt bremsebånd.	Slutt å bruke verktøyet umiddelbart og spør nærmeste godkjente servicesenter.
Verktøyet vibrerer unormalt.	Løsne sverdet eller sagkjedet.	Tilpass sverdets og sagkjedets tilsetningsmoment.
	Verktøysvikt.	Slutt å bruke verktøyet umiddelbart og spør nærmeste godkjente servicesenter.

014314

VALGFRITT TILBEHØR

FORSIKTIG:

- Det anbefales at du bruker dette tilbehøret eller verktøyet sammen med den Makita-maskinen som er spesifisert i denne håndboken. Bruk av annet tilbehør eller verktøy kan forårsake helseskader. Tilbehør og verktøy må kun brukes til det formålet det er beregnet på.

Ta kontakt med ditt lokale Makita-servicesenter hvis du trenger mer informasjon om dette tilbehøret.

- Sagkjede
- Sverddeksel
- Sverd
- Sagkjedeolje

MERK:

- Enkelte elementer i listen kan være inkludert som standardtilbehør i verktøypakken. Elementene kan variere fra land til land.

SUOMI (alkuperäiset ohjeet)

Yleiselostus

2-1. Vipu	12-1. Johdon pidike	19-1. Etukahvan suojus
2-2. Hammaspyörän kotelo	12-2. Työkalun johto	19-2. Lukitsematon
3-1. Säätöruuvi	12-3. Pidennysjohto	19-3. Lukittu
4-1. Säätöpyörä	12-4. Pistoke ja pistorasia (muoto voi vaihdella maakohtaisesti)	20-1. Öljynpinnan tähtäinlasi
5-1. Hammaspyörä	13-1. Lukituksen vapautuskytkin	22-1. Kuorituki
6-1. Ohjaustanko	13-2. Liipaisinkytkin	26-1. Kaatoalue
6-2. Aukko	15-1. Öljyn täyttökupu	29-1. Kaatoalue
7-1. Koukku	15-2. Hihna	29-2. Vaara-alue
7-2. Aukko	16-1. Löysää	29-3. Pakoreitti
7-3. Tappi	16-2. Kiristä	31-1. Katkaisupitus
9-1. Vipu	16-3. Ketjun säätöruuvi	31-2. Leikkuuterän ja syvyydensäätöhampaan välinen etäisyys
9-2. Hammaspyörän kotelo	16-4. Ohjaustanko	31-3. Vähintään 3 mm
10-1. Löysää	16-5. Sahan ketju	32-1. Sivulevyn kulma
10-2. Kiristä	17-1. Löysää	37-1. Öljyn ohjainura
10-3. Ketjun säätöruuvi	17-2. Kiristä	37-2. Öljyn syöttöaukko
10-4. Ohjaustanko	17-3. Säätöpyörä	38-1. Hammaspyörä
10-5. Sahan ketju	17-4. Ohjaustanko	39-1. Rajamerkki
11-1. Löysää	17-5. Sahan ketju	40-1. Harjanpitimen kansi
11-2. Kiristä	18-1. Etukahvan suojus	40-2. Ruuvitalta
11-3. Säätöpyörä	18-2. Lukittu	
11-4. Ohjaustanko	18-3. Lukitsematon	
11-5. Sahan ketju		

TEKNISET TIEDOT

Malli	UC3050A	UC3051A	UC3550A	UC3550AP	UC3551A	UC4050A	UC4051A	UC4550A	UC4551A	
Ketjun enimmäisnopeus	14,5 m/s (870 m/min)									
Vakiomallinen terälevy	Levyn pituus	300 mm	350 mm			400 mm	450 mm			
	Katkaisupitus	260 mm	320 mm			355 mm	415 mm			
	Laipan tyyppi	Kärkipyörällinen terälevy								
Vakiomallinen ketju	Tyyppi	91PX								
	Ketjun jako	3/8"								
	Ajolinkeiden nro.	46	52			56	62			
Suosittelun terälevyn pituus	300 - 450 mm									
Kokonaispituus (ilman ohjaustankoa)	505 mm									
Nettopaino	5,4 kg	5,5 kg	5,5 kg	5,6 kg	5,5 kg	5,6 kg	5,6 kg		5,7 kg	
Jatkojohto (vaihtoehtoinen)	DIN 57282/HO 7RN -F L=30 m maks.,3x1,5 mm ²									

- Jatkuvan tutkimus- ja kehitysohjelman vuoksi pidätämme oikeuden muuttaa tässä mainittuja teknisiä ominaisuuksia ilman ennakkoilmoitusta.
- Tekniset ominaisuudet saattavat vaihdella eri maissa.
- Paino EPTA-menetelmän 01/2003 mukaan

Symboli

Laitteessa on käytetty seuraavia symboleja. Opettele näiden merkitys, ennen kuin käytät konetta.

- Lue tämä käyttöohje ja noudata varoituksia ja turvaohjeita.
- Käytä suojalaseja.
- Käytä kuulosuojaimia.

END218-7



• KAKSINKERTAINEN ERISTYS

- Varoitus: noudata erityistä varovaisuutta!
- Varoitus: irrota saha verkkopistokkeesta heti, jos johto on vaurioitunut!
- Varoitus: takapotku!
- Suojaa sadetta ja kosteutta vastaan!



• Käytä kypärää, suojalaseja ja kuulosuojaimia!



• Käytä suojakäsineitä!



• Irrota verkkojännitteen pistoke!



• Ensiapu



• Maksimi sallittu leikkauksen pituus



• Ketjun liikkeen suunta



• Ketjun voiteluöljy



• Ketjujarru vapautettu



• Ketjujarru käytössä



• Kielletty!



• Koskee vain EU-maita
Älä hävitä sähkötarvikkeita tavallisen kotitalousjätteen mukana!

Vanhoja sähkö- ja elektroniikkalaitteita koskevan EU-direktiivin ja sen maakohtaisten sovellusten mukaisesti käytetyt sähkötarvikkeet on toimitettava ongelmajätteen keräyspisteeseen ja ohjattava ympäristöystävälliseen kierrätykseen.

ENE085-1

Käyttötarkoitus

Työkalu on tarkoitettu puutavaran ja hirsien leikkaukseen.

ENF002-2

Virtalähde

Laitteen saa kytkeä vain sellaiseen virtalähteeseen, jonka jännite on sama kuin arvokilvessä ilmoitettu, ja sitä saa käyttää ainoastaan yksivaiheisella vaihtovirralla. Laitte on kaksinkertaisesti suojaeristetty, ja se voidaan siten kytkeä myös maadoittamattomaan pistorasiaan.

ENG905-1

Melutaso

Tyypillinen A-painotettu melutaso määräytyy EN60745-standardin mukaan:

Äänenpainetaso (L_{pA}): 90,8 dB (A)

Äänitehotaso (L_{WA}): 101,8 dB (A)

Virhemarginaali (K): 2,5 dB (A)

Käytä kuulosuojaimia

ENG900-1

Tärinä

Värähtelyn kokonaisarvo (kolmiakselivektorin summa) on määritelty EN60745mukaan:

Työtila : puun sahaaminen

Tärinäpäästö (a_n): 5,2 m/s²

Virhemarginaali (K): 1,5 m/s²

ENG901-1

- Ilmoitettu tärinäpäästöarvo on mitattu standarditestausten menetelmän mukaisesti, ja sen avulla voidaan vertailla työkaluja keskenään.
- Ilmoitettua tärinäpäästöarvoa voidaan käyttää myös altistumisen alustavaan arviointiin.

VAROITUS:

- Työkalun käytön aikana mitattu todellinen tärinäpäästöarvo voi poiketa ilmoitetusta tärinäpäästöarvosta työkalun käyttötavan mukaan.
- Selvitä käyttäjän suojaamiseksi tarvittavat varotoimet todellisissa käyttöolosuhteissa tapahtuvan arvioidun altistumisen mukaisesti (ottaen huomioon käyttöjakso kokonaisuudessaan, myös jaksot, joiden aikana työkalu on sammutettuna tai käy tyhjäkäynnillä).

ENH021-8

Koskee vain Euroopan maita

VAKUUTUS EC-VASTAAVUUDESTA

Makita ilmoittaa, että seuraava(t) kone(et)

Koneen tunnistetiedot:

Ketjusaha

Mallinro/tyyppi: UC3050A, UC3550A, UC4050A, UC4550A, UC3051A, UC3551A, UC3550AP, UC4051A, UC4551A

Tekniset tiedot: ks. TEKNISET TIEDOT -taulukko.

Täyttävät seuraavien eurooppalaisten direktiivien vaatimukset:

2000/14/EY, 2006/42/EY

On valmistettu seuraavien standardien tai standardoitujen asiakirjojen mukaisesti:

EN60745

Direktiivin 2006/42/EY mukaiset tekniset tiedot ovat saatavissa seuraavasta osoitteesta:

Makita, Jan-Baptist Vinkstraat 2, 3070, Belgium

Direktiivin 2000/14/EY edellyttämä vaatimustenmukaisuusarviointi tehtiin liitteen V mukaisesti

Mitattu äänitehotaso: 101,9 dB (A)

Taattu äänitehotaso: 103 dB (A)

8.5.2014

Yasushi Fukaya

000331

Yasushi Fukaya

Johntaja

Makita, Jan-Baptist Vinkstraat 2, 3070, Belgium

Sähkötyökalujen käyttöä koskevat varoitukset

⚠ **VAROITUS** Lue kaikki turvallisuusvaroitukset ja käyttöohjeet. Varoitusten ja ohjeiden noudattamatta jättäminen voi johtaa sähköiskuun, tulipaloon ja/tai vakavaan vammautumiseen.

Säilytä varoitukset ja ohjeet tulevaa käyttöä varten.

GEB037-8

Ketjusahan turvaohjeet

- Pidä kaikki jäsenet loitolla teräketjusta, kun ketjusahaa käytetään. Ennen kuin käynnistät ketjusahan, varmista, ettei sahan ketju osu mihinkään.** Hetkellinenkin käytön aikainen huolimattomuus voi aiheuttaa sen, että vaate tai jokin ruumiinjäsen jää kiinni teräketjuun.
- Pitele ketjusahaa aina siten, että oikea kätesi on takakahvalla ja vasen kätesi etukahvalla.** Ketjusahaa ei tule koskaan pidellä päinvastaisessa otteessa, sillä tällöin vaarana on henkilövahinko.
- Pitele sähkötyökalua sen eristetyistä tartuntapinnoista, sillä teräketju saattaa osua piilossa oleviin johtoihin tai sahan omaan virtajohtoon.** Jos teräketju osuu jännitteeseen johtoon, jännite voi siirtyä työkalun sähköä johtaviin metalliosiin ja aiheuttaa käyttäjälle sähköiskun.
- Käytä suojalaseja ja kuulosuojaimia. On suositeltavaa käyttää muitakin kasvoja, käsiä ja jalkoja suojaavia suojavälineitä.** Asianmukaisesti suojatut työvaatteet suojaavat pirstaleilta sekä teräkosketukselta.
- Älä kiipeä ketjusahan kanssa puuhun.** Ketjusahan käyttäminen puussa voi johtaa henkilövahinkoihin.
- Seiso tasapainossa ja käytä ketjusahaa vain, kun olet tasaisella ja kiinteällä alustalla.** Liukkaat tai epävakaat alustat, kuten tikkaat, voivat aiheuttaa horjahtamisen ja sahan hallinnan menettämisen.
- Kun sahaat jännityksessä olevaa oksaa, ota huomioon vastaiskun mahdollisuus.** Oksasta vapautuva jännite voi saada oksan iskeytymään käyttäjää vasten ja/tai lyödä ketjusahan käyttäjän hallinnasta.
- Ole erityisen varovainen sahatessasi pensaikkoja ja taimia.** Ohuet varret voivat tarttua teräketjuun ja iskeytyä käyttäjään tai vetää käyttäjän tasapainosta.
- Kun kannat ketjusahaa, sammuta se ja pitele kiinni etukahvasta siten, että saha suuntautuu itsestäsi pois päin. Aseta teräsuojus paikalleen kuljetuksen ja varastoinnin ajaksi.** Ketjusahan

asianmukainen käsittely vähentää todennäköisyyttä, että liikkuva terä osuu käyttäjään.

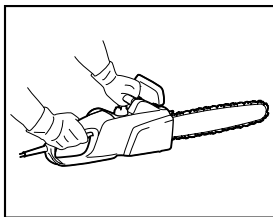
- Noudata voitelusta, teräketjun kiristämisestä ja lisävarusteiden vaihtamisesta annettuja ohjeita.** Väärin kiristetty tai voideltu ketju saattaa katketa tai lisätä takapotkun mahdollisuutta.
- Pidä kahvat kuivina ja puhtaina öljystä ja rasvasta.** Rasvaiset tai öljyiset kahvat ovat liukkaita ja voivat johtaa hallinnan menetykseen.
- Sahaa vain puuta. Älä käytä ketjusahaa työhön, johon sitä ei ole tarkoitettu. Älä käytä ketjusahaa esimerkiksi muovin, tiilien tai muiden kuin puisten rakennusmateriaalien sahaamiseen.** Ketjusahan käyttö tarkoituksiin, joihin sitä ei ole suunniteltu, voi aiheuttaa vaaratilanteen.
- Takapotkun syyt ja ennaltaehkäisevät toimet;** Takapotku voi aiheutua, jos terälevyn kärki koskettaa johonkin tai jos teräketju kiilautuu puun laikkuu-uraan.

Jos kärki osuu johonkin, se voi saada terälevyn iskeytymään nopeasti taaksepäin käyttäjää kohti. Jos sahan terälevy kiilautuu puuhun yläreunastaan, se voi ponnahtaa käyttäjää kohti odottamatta.

Kumpi tahansa näistä voi johtaa sahan hallinnan menettämiseen, jolloin seurauksena voi olla vakava henkilövahinko. Älä jätä turvallisuutta vain sahan turvalaitteiden varaan. Ketjusahan turvallinen käyttö edellyttää monenlaisia turvatoimia.

Takapotku johtuu sahan virheellisestä käytöstä tai epäedullisista käyttöolosuhteista. Takapotku voidaan välttää noudattamalla seuraavia varotoimia.

- **Pitele sahasta kunnolla kiinni. Purista peukalot ja sormet sahan kahvojen ympärille ja seiso sellaisessa asennossa, että voit vastustaa takapotkun voimaa.** Takapotkut ovat käyttäjän hallittavissa, kunhan niihin valmistaudutaan asianmukaisesti. Älä irrota otetta sahasta.



014316

- **Älä kurota tai sahaa olkapäitäsä korkeammalla tasolla.** Tämä vähentää todennäköisyyttä, että terälevyn kärki osuu johonkin tahattomasti sekä parantaa sahan hallittavuutta odottamattomissa tilanteissa.

- **Käytä vain valmistajan määrittelemiä terälevyjä ja teräketjuja.** Vääränlaisten terälevyjen tai ketjujen käyttäminen voi aiheuttaa teräketjun katkeamisen ja/tai takapotkun.
- **Teroita ja huolla teräketju valmistajan ohjeiden mukaan.** Syvyydensäätöhampaiden madaltaminen voi lisätä takapotkujen mahdollisuutta.

LISÄTURVAOHJEITA

1. Tutustu ketjusahan käyttöön tämän käyttöohjeen avulla.
2. Ennen kuin käytät ketjusahaa ensimmäistä kertaa, pyydä opastusta sen käytössä. Ellei tämä ole mahdollista, harjoittele sahaamalla pyöreitä puuta pukilla ennen varsinaisen työn aloittamista.
3. Sahaa ei saa luovuttaa lasten tai alle 18-vuotiaiden nuorten käyttöön. Poikkeuksellisesti sahaa voivat käyttää myös kuusitoista vuotta täyttäneet, jos he opettelevat sahan käyttöä asiantuntijan valvonnassa.
4. Ketjusahan käyttö edellyttää huolellista keskittymistä. Älä käytä sahaa, jos et tunne oloasi terveeksi ja hyväkuntoiseksi. Tee kaikki sahaustyö rauhallisesti ja huolellisesti.
5. Älä koskaan käytä sahaa alkoholin, muiden päihteiden tai lääkeytyksen vaikutuksen alaisena.

Sahan oikea käyttö

1. Ketjusaha on tarkoitettu vain puun sahaukseen. Älä käytä sitä esimerkiksi muovin tai kevytbetonin sahaukseen.
2. Käytä sahaa vain näissä ohjeissa kuvattuihin tarkoituksiin. Älä **esimerkiksi** käytä sahaa pensasaitojen leikkaamiseen tai vastaaviin tarkoituksiin.
3. Ketjusahaa ei saa käyttää metsätöihin eli seisovien puiden kaatoon ja karsimiseen. Ketjusaha ei tarjoa riittävää liikkumavapautta ja turvallisuustasoa tällaisiin töihin.
4. Ketjusahaa ei ole tarkoitettu kaupalliseen käyttöön.
5. Älä ylikuormita sahaa.

Henkilösuojaimet

1. Vaatteiden täytyy olla istuvia, mutta ne eivät saa haitata liikkumista.
2. Käytä työssä seuraavia suojavarusteita:
 - hyväksytyttä suojakypärää, jos putoavat oksat tai vastaavat voivat aiheuttaa vaaraa
 - kasvosuojusta tai suojalaseja
 - sopivia kuulosuojaimia tai korvatulppia. Oktaavikaista-analyysi saatavana.
 - paksuja nahkaisia suojakäsineitä
 - tukevista kankaasta valmistettuja pitkiä housuja
 - viistosuojatusta kankaasta valmistettuja suojahaalareita

- turvakenkiä tai saappaita, joissa on karhennettu antura, teräksinen kärkivahvike ja tukeva vuori
- hengityssuojainta, jos sahaaminen synnyttää pölyä (esimerkiksi kuivaa puuta sahattaessa).

Sähköiskulta suojautuminen



- Ketjusahaa ei saa käyttää sateella tai kosteassa ympäristössä, koska sähkömoottorissa ei ole vesieristystä.
1. Kytke saha vain pistokkeeseen, jonka toimivuus on varmistettu. Varmista, että verkkovirran jännite vastaa arvokilven jännitettä. Lisäksi tarvitaan 16 ampeerin linjasulake. Ulkoilmassa käytettävät sahat on kytkettävä vikavirtakatkaisimeen, jonka laukaisuvirta saa olla enintään 30 mA.
 - Jos liitosjohto vaurioituu, irrota se heti verkkopistokkeesta.

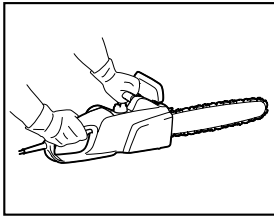


Turvallinen työskentely

1. Ennen työn aloittamista tarkista, että ketjusaha on toimintakunnossa ja turvamääräysten mukainen. Varmista erikseen, että
 - ketjujarru toimii moitteettomasti
 - pysäytysjarru toimii moitteettomasti
 - terälevy ja hammaspyörän kotelo ovat paikoillaan
 - ketju on teroitettu ja kiristetty ohjeiden mukaan
 - verkkojohto ja -pistokeyvät ovat ehjiä.

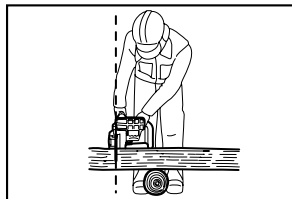
Katso lisätietoja kohdasta "TARKISTUKSET".

2. Varmista aina erityisesti, että mahdollisen jatkojohdon poikkipinta-ala on riittävä (ks. "TEKNISET TIEDOT"). Jos käytät kaapelikelaa, vedä johto kokonaan kelta. Kun käytät sahaa ulkona, varmista, että virtajohto on tarkoitettu ja hyväksytyt ulkokäyttöön.
3. Pidä virtajohto loitolla leikkuaalueesta ja huolehdi, että se ei tartu oksiin tms. työskentelyn aikana.
4. Älä käytä ketjusahaa herkästi syttyvän pölyn ja kaasujen läheisyydessä, koska moottori voi kipinöidessään aiheuttaa **räjähdyksivaaran**.
5. Työskentele vain tukevalla maalla, joka tarjoaa varman jalansijan. Kiinnitä erityistä huomiota työskentelyalueella oleviin esteisiin (esimerkiksi virtajohtoon). Ole erityisen varovainen paikoissa, joissa kosteus, jää, lumi, tuore katkaistu puu tai kaarna voi tehdä pinnat liukkaiksi. Älä käytä sahaa seisossasi tikapuilla tai puussa.
6. Ole erityisen varovainen, kun työskentelet viettävällä maalla: pyörivät rungot ja oksat voivat aiheuttaa vaaratilanteita.
7. Älä koskaan sahaa korkeammalta kuin hartoiden tasalta.
8. **Pidä ketjusahaa kiinni kaksin käsin, kun kytket sen päälle ja kun käytät sitä.** Pidä takakahvasta oikealla kädellä ja etukahvasta vasemmalla. Pidä kahvoista lujasti sormilla ja peukaloilla. Terälevy ja ketju eivät saa olla kosketuksissa mihinkään silloin, kun saha käynnistetään.



014316

9. Poista sahausalueelta vieraat esineet ja epäpuhtaudet, kuten hiekka, kivet, naulat, rautalanka jne. Vieraat esineet voivat vahingoittaa terälevyä ja -ketjua ja aiheuttaa vaarallisen takapotkun.
10. Ole erityisen varovainen, kun sahaat piikkilanka-aitojen lähellä. Älä sahaa aitaa, ettei saha potkaise.
11. Älä päästää terää maahan sahatessa.
12. Katkaise puut yksittäin, älä nipoissa tai pinoissa.
13. Älä katkaise sahalla ohuita oksia tai juuria, koska ne voivat sotkeutua sahaan. Tasapainon menettäminen aiheuttaa vaaratilanteen.
14. Käytä turvallista tukea (pukkia), kun sahaat sahatavaraa.
15. Älä siirrä sahan avulla syrjään puun kappaleita tai muita esineitä.
16. Ohjaa sahaa niin, että mikään osa kehosta ei ole linjassa sahan liikeradan kanssa (katso kuvaa).

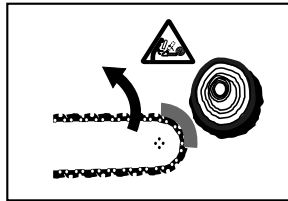


006909

17. Kun siirryt sahausajan aikana paikasta toiseen, kytke ketjujarru, jotta saha ei pääse käynnistymään vahingossa. Kanna sahaa etukahvasta äläkä pidä sormea käynnistyskytkimellä.
18. Irrota saha verkosta taukojen ajaksi ja kun jätät sahan vartioimatta. Jätä saha sellaiseen paikkaan, ettei se voi aiheuttaa vaaraa.

Takapotku

1. Ketjusaha voi käytössä aiheuttaa vaarallisen takapotkun. Takapotku syntyy, kun terälevyn kärki (varsinkin sen yläneljännes) osuu puuhun tai muuhun kiinteään esteeseen. Tällöin ketjusaha ponnahtaa käyttäjää kohti.

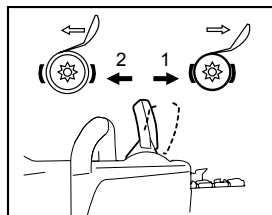


006919

2. Takapotku voidaan välttää noudattamalla seuraavia ohjeita:
 - Älä koskaan aloita sahausta terälevyn kärjellä.
 - Älä koskaan käytä terälevyn kärkeä sahauskeeseen. Ole erityisen varovainen, kun jatkat sahaamista aiemmin aloittamastasi kohdasta.
 - Aloita sahaaminen niin, että ketju pyörii valmiiksi.
 - Teroita ketju aina ohjeiden mukaan. Varsinkin syvyydensäätöhampaiden korkeuden on oltava oikea.
 - Älä koskaan sahaa useampaa oksaa samalla kertaa.
 - Varmista karsiessa, että terälevy ei osu muihin oksiiin.
 - Runkoja sahatessa pysytele loitolla viereisistä rungoista. Varo aina terälevyn päätä.
 - Käytä pukkia.

Turvallaitteet

1. Varmista aina ennen työskentelyn aloittamista, että turvallaitteet ovat toimintakunnossa. Älä käytä sahaa, jos turvallaitteet eivät toimi moitteettomasti.
- **Ketjujarru:**
Sahassa on ketjujarru, joka pysäyttää ketjun sekunnin murto-osassa. Jarru kytkeytyy päälle, kun heittosuojus työnnyty eteen. Tällöin saha pysähtyy 0,15 sekunnissa, ja virransyöttö moottoriin katkeaa.



014317

- **Pysäytysjarru:**
Ketjusahassa on pysäytysjarru, joka pysäyttää sahan heti, kun virtakytkin vapautetaan. Tällöin saha ei pääse pyörimään pysäytyksen jälkeen ja aiheuttamaan vaaratilanteita.
- **Etu- ja takakahvojen suojukset** suojaavat käyttäjää taaksepäin mahdollisesti sinkoilevilla puunsäleillä ja katkenneelta ketjulta.

1. Ketjujarru käytössä
2. Ketjujarru vapautettu

- **Lukituspainike** estää ketjusahan tahattoman käynnistämisen.
- **Ketjusieppo** suojaa käyttäjää vammoilta, jos ketju hyppää pois paikoiltaan tai katkeaa.

Kuljetus ja säilytys



- Irrota saha verkkopistokkeesta ja aseta terälevyn suojus paikoilleen säilytystä ja kuljetusta varten. Älä koskaan kannata kuljetusta sahaa, kun se on käynnissä.

1. Kanna sahaa vain etukahvasta niin, että terälevy osoittaa taaksepäin.
2. Säilytä sahaa turvallisessa, kuivassa ja lukittavassa paikassa pois lasten ulottuvilta. Älä säilytä sahaa ulkona.

KUNNOSSAPITO

1. Irrota saha verkkopistokkeesta ennen kuin teet mitään säätöjä tai huoltotoimia.
2. Tarkista virtajohdon eristeen kunto säännöllisesti.
3. Puhdista saha säännöllisesti.
4. Korjauta sahan muovikotelon vauriot välittömästi ja asianmukaisesti.
5. Älä käytä sahaa, jos liipaisinkytkin ei toimi moitteettomasti. Korjauta se asianmukaisesti.
6. Ketjusahaan ei saa missään tapauksessa tehdä mitään muutoksia. Ne vaarantavat oman turvallisuutesi.
7. Älä koskaan tee muita kuin tässä ohjeessa kuvattuja huolto- tai korjaustöitä. Muut työt on teetettävä valtuutetussa huoltoliikkeessä.
8. Käytä vain alkuperäisiä, kyseiseen malliin tarkoitettuja varaosia ja lisävarusteita. Muiden osien käyttö lisää onnettomuusriskiä.
9. Emme vastaa onnettomuuksista tai vaurioista, jotka johtuvat muiden kuin hyväksytyjen terälevyjen, ketjujen tai muiden varaosien tai lisävarusteiden käytöstä.

Ensiapu



- Älä työskentele yksin. Varmista aina, että kuuloetäisyydellä on muita ihmisiä.

1. Pidä ensiapulaukku aina mukana. Täydennä ensiapulaukun varusteita sitä mukaa kuin niitä kuluu.
2. Jos joudut onnettomuustilanteessa kutsumaan apua, ilmoita seuraavat tiedot:
 - missä onnettomuus on tapahtunut
 - mitä on tapahtunut
 - montako ihmistä on loukkaantunut
 - mitä vammoja heillä on
 - kuka ilmoittaa onnettomuudesta?

HUOMAUTUS:

Voimakas värinä voi aiheuttaa heikosta verenkierrosta kärsiville ihmisille verisuoni- tai hermostovammoja.

Värinä voi aiheuttaa seuraavia oireita sormissa, käsissä tai ranteissa: tunnottomuutta, pistelevää kipua, pistoksia, ihonvärin tai ihon muutoksia.

Jos tällaisia oireita esiintyy, hakeudu lääkärin hoitoon!

SÄILYTÄ NÄMÄ OHJEET.

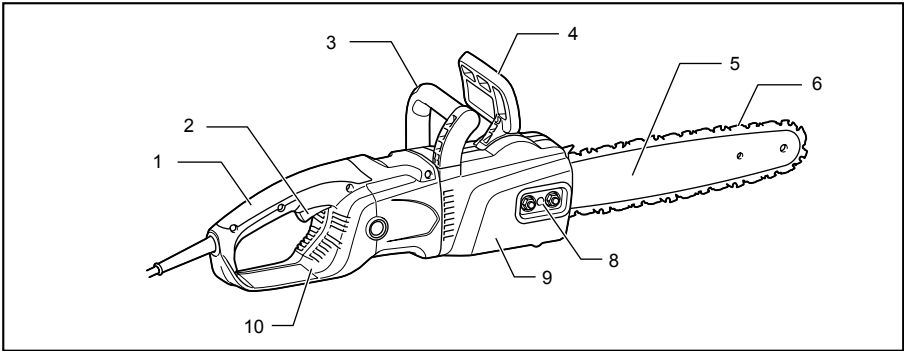
⚠VAROITUS:

ÄLÄ anna työkalun helppokäyttöisyyden tai toistuvan käytön tuudittaa sinua väärään turvallisuuden tunteeseen niin, että laiminlyöt työkalun turvaohjeiden noudattamisen. **VÄÄRINKÄYTTÖ** tai tämän käyttöohjeen turvamääräysten laiminlyönti voi johtaa vakaviin henkilövahinkoihin.

OSIEN SIJAINTI

(Mutterikiristeinen malli: hammaspyörän kotelo kiristetään muttereilla.)

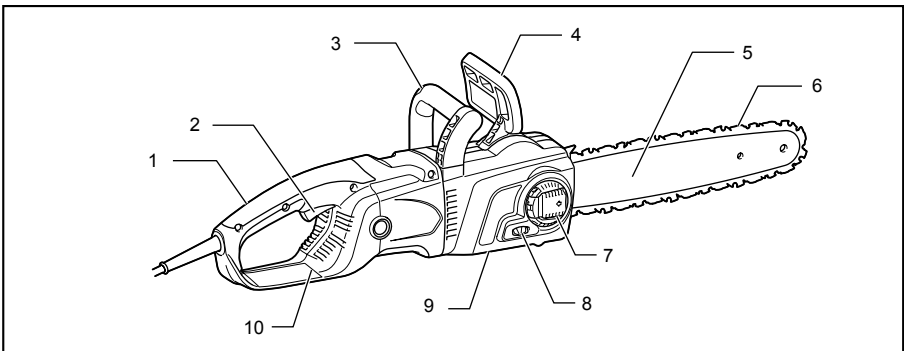
Malli UC3050A, UC3550A, UC3550AP, UC4050A, UC4550A



014372

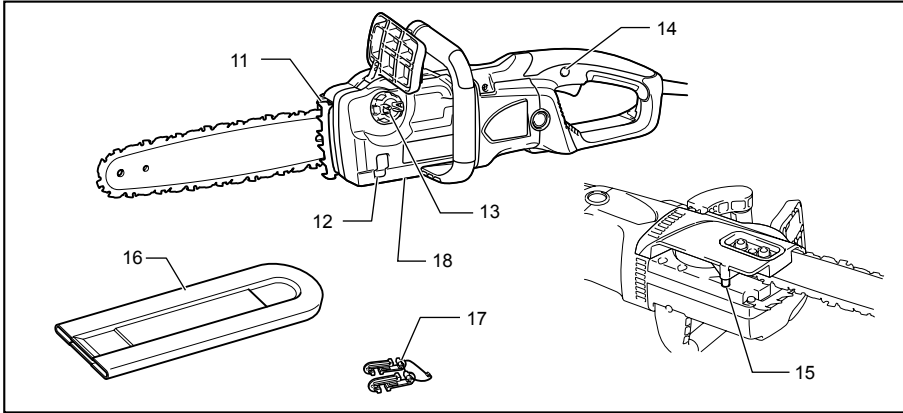
(Vipukiristeinen malli: hammaspyörän kotelo kiristetään vivulla.)

Malli UC3051A, UC3551A, UC4051A, UC4551A



014373

(Kaikki mallit)



014514

1	Takakahva	7	Vipu	13	Öljyn täyttökupu
2	Liipaisinkytkin	8	Säätöruuvi/säätölevy	14	Lukituksen vapautuskytkin
3	Etukahva	9	Hammaspyörän kotelo	15	Ketjusieppo
4	Etukahvan suojus	10	Takakahvan suojus	16	Terälevyn suojus
5	Ohjaustanko	11	Kuorituki	17	Johdon pidike
6	Sahan ketju	12	Öljypinnan tähtäinlasi	18	Öljypumpun säätöruuvi (pohjassa)

014375

KOKOONPANO

⚠HUOMIO:

- Varmista aina ennen koneelle tehtäviä toimenpiteitä, että kone on sammutettu ja irrotettu pistorasiasta.

Hammaspyörän kotelon irrottaminen ja kiinnittäminen

Irrota hammaspyörän kotelo seuraavasti:
(Mutterikiristeiset mallit)

Kuva1

Kierrä mutteri löysälle.

(Vipukiristeiset mallit)

Kuva2

Paina vipua ja avaa se kokonaan, kunnes se pysähtyy.
Kierrä kiristinvipua vastapäivään.

Asenna hammaspyörän kotelo suorittamalla edellä kerrotut toimet päinvastaisessa järjestyksessä.

Ketjun irrotus ja kiinnitys

⚠HUOMIO:

- Käytä aina suojakäsineitä, kun kiinnität tai irrotat ketjua.

Irrota ketju toimimalla seuraavasti:

- Löysää hammaspyörän kotelo.
- (Mutterikiristeiset mallit) Löysää ketjun kiristystä kiertämällä ketjun säätöruuvia vastapäivään. (Vipukiristeiset mallit) Löysää ketjun kiristystä kiertämällä säätölevyä suuntaan "-".

Kuva3

Kuva4

- Irrota hammaspyörän kotelo.
- Irrota ketju ja terälevy sahasta.

Asenna ketju seuraavasti:

- Tarkista ketjun pyörimissuunta. Suunta on merkitty ketjuun nuolella.

Kuva5

- Aseta ketjun toinen pää terälevyn päälle ja toinen pää hammaspyörälle.
- Asta terälevy sahaan.
- Siirrä kiristin terälevyssä olevan reiän kohdalle.

Kuva6

- Pidä kiinni terälevystä ja säädä ketjun kireys kiertämällä ketjun säätöruuvia/säätölevyä.
- Aseta hammaspyörän kotelo siten, että kiinnikkeet asettuvat reikiin ja tappi osuu hammaspyörän kotelossa olevaan aukkoon.

Kuva7

11. Kiristä hammaspyörän kotelo.

Kuva8

Kuva9

Ketjunkireyden säätö

Ketju voi löystyä usean tunnin käytön jälkeen. Tarkista ketjun kireys ennen käyttöä.

1. Löysää hammaspyörän koteloa hieman.
2. Nosta terälevyn kärkeä hieman.
3. Säädä ketjun kireyttä kiertämällä säätöruuvia/säätölevyä.

Kuva10

Kuva11

4. Kiristä teräketjua, kunnes teräketjun alaosa osuu terälevyn uraan (ympyröity kohta).
5. Kannattele terälevyä kevyesti ja kiristä hammaspyörän kotelo ketjun kireyden säätämisen jälkeen. Varmista, ettei teräketju löysty terälevyn alapuolella.

Varmista, että teräketju on terälevyn alareunaa vasten.

△HUOMIO:

- Älä kiristä ketjua liikaa. Jos ketju on liian kireällä, se voi katketa, kuluttaa terää ja rikkoa terälevyn.
- Jos ketju on liian löysällä, se voi hypätä pois terälaipasta ja aiheuttaa siten vaaratilanteen.
- Kiinnitä ja irrota ketju puhtaassa tilassa, jossa ei ole sahanpurua tms.

Jatkojohdon kiinnittäminen

△HUOMIO:

- Varmista, että jatkojohto on irrotettu pistorasiasta.

Kuva12

Kun kiinnität jatkojohdon, kiinnitä se sahan virtajohtoon johdon pidikkeen avulla.

Kiinnitä johdon pidike noin 100–200 mm:n päähän jatkojohdon liittimestä. Tällä vältät johdon tahattoman irtoamisen.

TYÖSKENTELY

△HUOMIO:

- Kannattele työkalua käytön aikana aina tukevasti oikea käsi takakahvassa ja vasen käsi etukahvassa.

Kytkimen käyttäminen

Kuva13

△HUOMIO:

- Varmista aina ennen liipaisinkytkimen toiminnan tarkistamista, että työkalu on sammutettu ja irrotettu virtalähteestä.
- Tarkista aina ennen työkalun liittämistä virtalähteeseen, että liipaisinkytkin kytkeytyy oikein ja palaa asentoon OFF, kun se vapautetaan.

Laitteessa on lukituksen vapautuspainike, joka estää liipaisinkytkimen painamisen vahingossa.

Käynnistä työkalu painamalla lukituksen vapautuspainike sisään ja vetämällä liipaisinkytkimestä. Työkalu pysäytetään vapauttamalla liipaisinkytkin.

Voitelu

△HUOMIO:

- Varmista aina ennen ketjun voitelua, että laite on sammutettu ja kytketty irti verkosta.

Kuva14

Käytä ketjun ja terälevyn voiteluun biologisesti hajoavaa ketjuöljyä, joka sisältää liima-ainetta. Öljyn liima-aine estää öljyä lentämästä ketjusta keskipakoisvoiman vaikutuksesta liian nopeasti. Mineraaliöljyjä ei pidä käyttää niiden ympäristöhaittojen vuoksi.

△HUOMIO:

- Varo, ettei öljyä pääse iholle ja silmiin. Öljy ärsyttää silmiä. Jos öljy joutuu silmiin, huuhtelee ne heti puhtaalla vedellä ja ota yhteys lääkäriin.
- Älä koskaan käytä voiteluun jäteöljyä. Se sisältää syöpää aiheuttavia aineita. Jäteöljyn epäpuhtaudet kuluttavat öljypumppua, terälevyä ja ketjua nopeasti. Jäteöljy on ympäristölle haitallista.
- Kun täytät sahan öljysäiliötä ensimmäistä kertaa tai kun lisäät öljyä täysin tyhjenneeseen säiliöön, lisää öljyä täyttökalan alareunaan asti. Muutoin öljyn syötössä voi esiintyä häiriöitä.

Kuva15

Lisää öljyä toimimalla seuraavasti:

1. Puhdista öljysäiliön tulpan ympäristö huolellisesti, jotta säiliöön ei pääse likaa.
2. Kierrä öljysäiliön tulppa auki ja lisää öljyä täyttökalan alareunaan asti.
3. Kierrä säiliön tulppa tiukasti kiinni.
4. Pyyhi mahdolliset öljyroiskeet huolellisesti.

HUOMAUTUS:

- Kun sahaa käytetään ensimmäistä kertaa, voi kestää jopa kaksi minuuttia ennen kuin ketjuöljy alkaa voidella sahan mekaanisia osia kunnolla. Käytä sahaa ilman kuormaa, kunnes voitelu alkaa toimia (ks. "TARKISTUKSET").

TARKISTUKSET

Ennen työn aloittamista tee seuraavat tarkistukset:

Ketjun kireyden toiminnan tarkistus

△VAROITUS:

- Aina ennen ketjun kireyden tarkistamista irrota virtajohto verkkopistokkeesta, ja käytä suojakäsineitä.

(Mutterikiristeiset mallit)

Kuva16

(Vipukiristeiset mallit)

Kuva17

Varmista, että teräketju on terälevyn alareunaa vasten (ympyröity kohta).

Tarkista ketjun kireys säännöllisesti, koska uusilla ketjuilla on taipumus venyä.

Jos ketju on liian kireällä, se voi katketa, kuluttaa terää ja rikkoa terälevyn.

Jos ketju on liian löysällä, se voi hypätä pois terälaipasta ja aiheuttaa siten vaaratilanteen.

Jos ketju on liian löysällä: lue kohta "Ketjunkireyden säätö" ja kiristä ketju.

Käynnistyskytkimen toiminnan tarkistus

⚠️HUOMIO:

Tarkista aina ennen työkalun liittämistä virtalähteeseen, että liipaisinkytkin kytketty oikein ja palaa asentoon OFF, kun se vapautetaan.

Laitteessa on lukituksen vapautuspainike, joka estää liipaisinkytkimen painamisen vahingossa.

Käynnistä työkalu painamalla lukituksen vapautuspainike sisään ja vetämällä liipaisinkytkimestä. Työkalu pysäytetään vapauttamalla liipaisinkytkin.

Älä vedä liipaisinkytkimestä voimakkaasti, ellei samalla paina lukituksen vapautuspainiketta. Kytkin voi rikkoutua.

Ketjujarrun toiminnan tarkistus

HUOMAUTUS:

- Jos saha ei käynnisty, tarkista, onko ketjujarru vapautettu. Vapauta ketjujarru vetämällä käsisuojusta taaksepäin, kunnes tunnet sen ottavan kiinni.

Kuva18

Kuva19

Tarkista ketjujarru seuraavasti:

1. Pidä sahaa molemmin käsin, kun käynnistät sen. Tartu takakahvaan oikealla kädellä ja etukahvaan vasemmalla. Varmista, että terälevy ja ketju eivät kosketa mihinkään.
2. Paina ensin lukituksen vapautuspainiketta ja sitten liipaisinkytkintä. Saha käynnistyy heti.
3. Paina edessä olevaa käsisuojusta eteenpäin kämmenselällä. Varmista, että saha pysähtyy heti.

⚠️HUOMIO:

- Jos saha ei pysähdy heti, sitä ei saa missään tapauksessa käyttää. Ota yhteys valtuutettuun Makita-huoltoliikkeeseen.

Pysäytysjarru:

Käynnistä saha uudelleen.

Vapauta liipaisinkytkin täysin. Varmista, että saha pysähtyy sekunnin kuluessa.

⚠️HUOMIO:

- Jos saha ei pysähdy heti, sitä ei saa missään tapauksessa käyttää. Ota yhteys valtuutettuun Makita-huoltoliikkeeseen.

Ketjuöljyjän toiminnan tarkistus

Ennen työn aloittamista tarkista öljysäiliön pinnan taso ja voitelun toimivuus.

Öljypinnan taso tarkistetaan kuvan osoittamasta tarkistuslasista.

Kuva20

Tarkista voitelu seuraavasti:

Käynnistä saha.

Sahan pyöriessä pidä ketju noin 15 cm:n etäisyydellä puunrungosta tai maasta. Voitelu toimii riittävän tehokkaasti, jos ketjusta jää hieno öljyvana.

Ota huomioon tuulen suunta, ettei jää suotta öljysiuhkun tielle.

⚠️HUOMIO:

- Jos öljyn jättämää vanaa ei näy, älä käytä sahaa. Muutoin ketjun käyttöikä lyhenee. Tarkista öljypinnan taso. Puhdista öljyn syöttöura ja terässä oleva öljyn syöttöaukko (ks. "HUOLTO").

Ketjun voitelun säätö

Kuva21

Öljypumpun syöttönopeutta voi säätää säätöruuvien avulla.

SAHAAMINEN

⚠️HUOMIO:

- Käytä aina etu- ja takakahvaa ja ota työkalusta käytön aikana tukeva ote sekä etu- että takakahvasta.
- Tue sahattava puu aina paikalleen, sillä sahatut kappaleet voivat aiheuttaa loukkaantumisen.

Katkaisu

Kuva22

Katkaisua varten aseta kuvan osoittama kuorituki sahattavan puun päälle.

Kun ketju pyörii, ala sahata puuta niin, että nostat sahaa takakahvasta ja ohjaat etukahvasta. Käytä kuoritukea tukipisteinä.

Jatka sahaamista lisäämällä hieman painetta etukahvaan ja kääntämällä sahaa hieman taakse. Siirrä kuoritukea hieman alemmas puun pinnalla ja nosta etukahvaa uudelleen.

Jos katkaiset puun useammasta kohtaa, sammuta saha katkaisukohtien välillä.

⚠️HUOMIO:

- Jos terälevyn yläreunaa käytetään katkaisuun, saha voi ponnahtaa käyttäjää kohti, jos se juuttuu. Saha vetäisi katkaisuun terälevyn alareunaa, jolloin saha vetää aina käyttäjästä pois päin.

Kuva23

Sahaa jännityksen alaista puuta ensin siltä puolelta, johon puristus kohdistuu (A). Tee sitten lopullinen katkos vetojännityksen alaisella puolella (B). Näin terälevy ei juutu kiinni.

Kuva24

Karsinta

⚠️HUOMIO:

- Oksien karsintaa saa tehdä vain käyttökoulutuksen saanut henkilö. Vaarana on sahan takapotku.

Oksia karsittaessa saha on mahdollisuuksien mukaan tuettava runkoon. Älä käytä terälevyn kärkeä, ettei saha pääse potkaisemaan.

Kiinnitä erityistä huomiota jännityksen alaisiin oksiiin.

Älä katkaise ilman tukea olevia oksia alapuolelta.

Älä seiso kaadetun rungon päälle oksia karsiessasi.

Koloaminen ja syyn suuntainen sahaus

⚠️HUOMIO:

- Koloamista ja syyn suuntaista sahausta saavat tehdä vain asianmukaisen koulutuksen saaneet henkilöt. Takapotkun mahdollisuus aiheuttaa loukkaantumisvaaran.

Kuva25

Tee syyn suuntainen sahaus mahdollisimman loivassa kulmassa. Sahaa mahdollisimman varovasti, koska kuoritukea ei voi käyttää apuna.

Puiden kaato

⚠️HUOMIO:

- Puita saa kaataa vain asianmukaisen käyttökoulutuksen saanut henkilö. Työ on vaarallista.

Jos haluat kaataa puun, noudata paikallisia määräyksiä.

Kuva26

- Ennen työn aloittamista, varmista, että:
 - (1) lähistöllä ei ole muita kuin kaatoon osallistuvia henkilöitä;
 - (2) jokaisella työhön osallistuvalla on esteetön poistumisreitti noin 45 asteen sektorissa kaadettavan puun pituusakselin kummallakin puolella. Ota huomioon sähköjohtoihin kompastumisen vaara;
 - (3) rungon tyvessä ei ole vieraita esineitä, juuria tai oksia;
 - (4) ketään ihmisiä tai mitään esineitä ei ole 2 1/2 rungonmitan päässä puun kaatumissuunnassa.
- Ota jokaisen puun kohdalla huomioon seuraavat seikat:
 - kallistumissuunta;
 - irtonaiset tai kuivat oksat;
 - puun korkeus;
 - luonnonmukainen ylitys;
 - onko puu laho.
- Ota huomioon tuulen voimakkuus ja suunta. Älä kaada puuta, jos tuuli on puuskaista.
- Juurten katkominen: Aloita isoimmista juurista. Tee ensin pysty- ja sitten vaakasahaus.

Kuva27

- Kaatoloven sahaaminen: Lovi määrää ja ohjaa, mihin suuntaan puu kaatuu. Lovi tehdään sille puolelle, johon puun on määrä kaatua. Sahaa kaatolovi mahdollisimman lähelle maan pintaa. Tee ensin vaakasahaus, jonka syvyys vastaa 1/5 - 1/3 rungon halkaisijasta. Älä tee lovesta liian suurta. Tee sitten vino yläsahaus.
- Tee mahdolliset korjaukset loveen sen koko leveydeltä.

Kuva28

- Sahaa rungon vastakkaiselle puolelle tehtävä sahaus vähän kaatoloven alapintaa ylemmäksi. Vastapuolen sahaus täytyy olla täysin vaakasuora. Jätä vastapuolen viiloksen ja loven väliin pitopuuta noin 1/10 puun halkaisijasta. Ehjäksi jätetty pitopuu toimii saranana. Älä koskaan katkaise runkoa kokonaan, koska silloin sen kaatumista ei voi kontrolloida. Aseta kiilat vastapuolen sahausajoihin.
- Vastapuolen sahausauki pitämiseksi saa käyttää vain muovi- tai alumiini kiiloja. Rautakiilojen käyttö on kielletty.
- Asetu kaatuvan puun sivulle. Huolehdi siitä, että kaatuvan puun taakse jää sen pituusakselin kummallekin puolelle 45 asteen esteetön sektori (ks. kaatoaluetta kuvaava piirros). Varo oksia.
- Suunnittele itsellesi esteetön pakoreitti, ennen kuin aloitat sahaamisen. Pakoreitin tulee suuntautua vinoasti taaksepäin ja sen täytyy ulottua kaatoalueen ulkopuolelle kuvan osoittamalla tavalla.

Kuva29

KUNNOSSAPITO

⚠️HUOMIO:

- Varmista aina ennen tarkastuksia ja huoltotoita, että laite on kone on sammutettu ja irrotettu virtalähteestä.
- Käytä aina suojakäsineitä, kun tarkastat laitetta tai teet huoltotyötä.
- Älä koskaan käytä bensiiniä, ohentimia, alkoholia tai tms. aineita. Muutoin pinta voi halkeilla tai sen värit ja muoto voivat muuttua.

Tee seuraavassa kuvatut huoltotoimenpiteet säännöllisesti. Takuu on voimassa vain, jos nämä toimenpiteet on tehty säännöllisesti ja oikein.

Käyttäjällä saa tehdä vain tässä ohjeessa kuvatut huoltotoimet. Muut työt on teetettävä valtuutetussa MAKITA-huoltoiliikkeenä.

Sahan puhdistus

Puhdistaa saha säännöllisesti puhtaalla rievulla.

Varsinkin kahvat on puhdistettava öljystä.

Muovikotelon tarkastus

Tee kotelon kaikille osille säännöllisesti silmämääräinen tarkastus. Jos jokin osa on vaurioitunut, korjauta se heti valtuutetussa MAKITA-huoltoliikkeessä.

Ketjun teroitus

⚠HUOMIO:

- Irrota virtajohto aina verkosta ja käytä suojakäsineitä, kun teet sahalle jotakin.

Kuva30

Teroita ketju, kun

- Kostea puuta sahatessa syntyy jauhomaista sahajauhoa.
- Ketju tunkeutuu puuhun heikosti, vaikka sahaa painettaisiin voimakkaasti.
- Leikkuureuna on selvästi vaurioitunut.
- Saha vetää puussa vasemmalle tai oikealle. Tähän on syynä ketjun epätasainen teroitus tai toisen puolen vaurioituminen.

Teroita ketju säännöllisesti, mutta poista vain vähän materiaalia kerrallaan.

Kaksi tai kolme viilan vetoa tavallisesti riittää tavanomaisessa teroituksessa. Kun olet teroittanut ketjun useaan kertaan, teroituta se valtuutetussa MAKITA-huoltoliikkeessä.

Teroituskriteerit:

- Kaikkien hampaiden täytyy olla yhtä pitkiä. Eripituiset hampaat estävät ketjua pyörimästä tasaisesti ja voivat aiheuttaa ketjun katkeamisen.
- Älä teroita ketjua sen jälkeen, kun hampaiden 3 millimetrin minipituus on saavutettu. Tällöin ketju on vaihdettava uuteen.
- Lastun pakisuuden määrää syvyydensäätöhampaan ja leikkuureunan välinen etäisyys.
- Paras sahaustulos saadaan, kun leikkuuterän ja syvyydensäätöhampaan välinen etäisyys on seuraava:
Ketjuterä 91PX: 0,65 mm

Kuva31

⚠VAROITUS:

- Liian suuri etäisyys lisää takapotkun vaaraa.
- Kaikkien hampaiden teroituskulman täytyy olla 30 astetta. Kulmapoikkeamat saavat ketjun pyörimään epätasaisesti, lisäävät kulumista ja aiheuttavat ketjujen katkeamisen.
- Hampaan sivulevyn kulman määrää pyöreän viilan tunkeumasyyvyys. Jos valmistajan viilaa käytetään oikein, sivulevyn oikea kulma syntyy automaattisesti.
- Kunkin teräketjun sivulevyn kulmat ovat seuraavat:
Ketjuterä 91PX: 80°

Kuva32

Viila ja viilan opaste

- Käytä ketjun teroitukseen pyöreää erikoisviilaa (lisävaruste). Tavanomaiset pyöreät viilat eivät sovi tähän tarkoitukseen.
- Pyöreän viilan läpimitat kullekin ketjulle ovat seuraavat:
Ketjuterä 91PX: 4,0 mm
- Viila saa ottaa hampaaseen vain eteenpäin suuntautuvalla vedolla. Nosta viila irti hampaasta paluuedolla.
- Teroita lyhyin hammas ensimmäiseksi. Tämän hampaan pituutta käytetään sitten ketjun muiden hampaiden mittana.

Kuva33

- Ohjaa viilaa kuvan osoittamalla tavalla.
- Viilan ohjaaminen helpottuu, jos käytetään viilaohjainta (lisävaruste). Oikea 30° teroituskulma on merkitty viilaohjaimen (kohdista merkinnät niin, että ne ovat yksisuuntaisia teräketjun kanssa). Ohjain rajoittaa myös tunkeumasyyvyyden oikeaksi (4/5 viilan halkaisijasta).

Kuva34

- Teroituksen jälkeen tarkista syvyydensäätöhampaan korkeus ketjunmittaustyökälulla (lisävaruste).

Kuva35

- Poista kaikki, myös aivan vähäinen ulkoneva aines erikoislattaviilalla (lisävaruste).
- Pyöristä syvyydensäätöhampaan etuosa uudelleen.

Terälevyn puhdistus ja hammaspyörän voitelu

⚠HUOMIO:

- Käytä tässä työssä aina suojakäsineitä. Purseet voivat aiheuttaa vammoja.

Kuva36

Tarkista terälevyn liukupintojen kunto säännöllisesti. Puhdista pinnat sopivalla työkalulla ja poista purseet tarvittaessa.

Jos sahaa käytetään paljon, voitele hammaspyörän laakeri ainakin kerran viikossa. Ennen kuin lisää rasvaa, puhdista terälevyn päässä oleva 2 mm:n aukko huolellisesti ja purista sitten pieni määrä monikäyttörasvaa (lisävaruste) aukkoon.

Öljysyötön puhdistus

Kuva37

- Puhdista öljyn syöttöura ja terässä oleva öljyn syöttöaukko säännöllisesti.

Uudet teräketjut

Käytä kahta tai kolmea teräketjua vuorotellen, hammaspyörä ja terälevyn liukupinnat kuluvat tasaisesti. Käännä terälevy toisin päin ketjuvaihdon yhteydessä, jotta terän ura kuluu tasaisesti.

△HUOMIO:

- Käytä vain tähän ketjusahamalliin tarkoitettuja ketjuja ja terälevyjä (ks. "TEKNISET TIEDOT").

Kuva38

Ennen uuden ketjun kiinnitystä tarkista hammaspyörän kunto.

△HUOMIO:

- Kulunut hammaspyörä vahingoittaa uutta ketjua. Tässä tapauksessa vaihda kulunut hammaspyörä.

Vaihda myös lukitusrengas hammaspyörän vaihdon yhteydessä.

Ketju- ja pysäytysjarrun huolto

Jarrujärjestelmät ovat erittäin tärkeitä turvallisuuden kannalta. Ne kuluvat jonkin verran käytössä, kuten sahan muutkin osat. Ne pitää säännöllisesti tarkastuttaa valtuutetussa MAKITA-huoltoliikkeessä. Tällä varmistat oman turvallisuutesi.

Hiiliharjojen vaihtaminen

Kuva39

Irrota ja tarkista hiiliharjat säännöllisesti. Vaihda uusiin, kun ne ovat kuluneet rajamerkkiin saakka. Pidä hiiliharjat puhtaina ja vapaina liukumaan pitimissään. Molemmat hiiliharjat on vaihdettava samalla kertaa. Käytä vain keskenään samanlaisia hiiliharjoja.

Kuva40

Irrota hiiliharjat kannet ruuvitaltalla. Poista kuluneet hiiliharjat, aseta uudet harjahielet paikalleen ja kiinnitä hiiliharjojen kansi paikalleen.

Kun harjat on vaihdettu, kytke virtajohto pistorasiaan ja sisäänaja harjat käyttämällä työkalua ilman kuormitusta noin 10 minuutin ajan.

Ketjusahan säilytys

Biologisesti hajoava ketjuöljy säilyy käyttökelpoisena vain tietyn rajoitetun ajan. Yli kaksi vuotta vanhat bioöljyt alkavat muuttua liimamaisiksi ja vahingoittavat öljypumppua ja voitelujärjestelmän komponentteja.

- Ennen pitkäaikaista varastointia tyhjennä öljysäiliö ja lisää siihen pieni määrä moottoriöljyä (SAE 30).
- Käytä sahaa hetken aikaa, jotta säiliöön jäänyt bioöljy huuhtoutuu pois säiliöstä, voitelujärjestelmästä ja sahan mekaanisista osista.

HUOMAUTUS:

- Kun sahan käyttö lopetetaan, siitä vuotaa jonkin aikaa pieniä määriä ketjuöljyä. Tämä on normaalia eikä merkki minkäänlaisesta viasta.

Aseta saha sopivalle säilytysalustalle.

Ennen kuin otat sahan uudelleen käyttöön, täytä öljysäiliö tuoreella BIOTOP-ketjuöljyllä.

Koneen TURVALLISUUDEN ja LUOTETTAVUUDEN säilyttämiseksi korjaukset sekä muut huoltotoimet ja säädöt on jätettävä Makitan valtuuttaman huollon tehtäväksi käyttäen aina Makitan alkuperäisiä varaosia.

VIANMÄÄRITYS

Tarkista laite ensin itse, ennen kuin viet sen korjattavaksi. Jos ongelmaan ei löydy ratkaisua käyttöoppaasta, älä kuitenkaan yritä purkaa työkalua osiin. Vie laite sen sijaan valtuutettuun Makita-huoltoliikkeeseen.

Vikatoiminto	Mahdollinen syy	Korjaus
Saha ei käynnisty.	Ei virransyöttöä.	Kytke virransyöttö. Tarkista virransyöttö.
	Johto vahingoittunut.	Lopeta työkalun käyttö välittömästi ja ota yhteys paikalliseen valtuutettuun huoltoliikkeeseen.
	Työkalun toimintahäiriö.	Lopeta työkalun käyttö välittömästi ja ota yhteys paikalliseen valtuutettuun huoltoliikkeeseen.
Ketju ei pyöri.	Ketjujarru on päällä.	Vapauta ketjujarru.
Teho on liian pieni.	Hiiliharja on kulunut.	Kysy korjausohjeita valtuutetulta huoltoliikkeeltä.
Ketjussa ei ole öljyä.	Öljysäiliö on tyhjä.	Täytä öljysäiliö.
	Öljynsiirtoura on likainen.	Puhdista ura.
	Öljypumpun säätöruuvi on väärin säädetty.	Sääädä öljypumpun syöttönopeutta.
Ketju ei pysähdy, vaikka ketjujarru on päällä.	Jarruhihna kulunut.	Lopeta työkalun käyttö välittömästi ja ota yhteys paikalliseen valtuutettuun huoltoliikkeeseen.
Työkalussa ilmenee epätavallista tärinää.	Terälevy tai ketju löysällä.	Sääädä terälevyä tai ketjun kireyttä.
	Työkalun toimintahäiriö.	Lopeta työkalun käyttö välittömästi ja ota yhteys paikalliseen valtuutettuun huoltoliikkeeseen.

014314

LISÄVARUSTEET

⚠HUOMIO:

- Näitä lisävarusteita ja -laitteita suositellaan käytettäväksi tässä ohjekirjassa mainitun Makitan koneen kanssa. Minkä tahansa muun lisävarusteen tai -laitteen käyttäminen voi aiheuttaa loukkaantumisvaaran. Käytä lisävarusteita ja -laitteita vain niiden käyttötarkoituksen mukaisesti.

Jos tarvitset apua tai yksityiskohtaisempia tietoja seuraavista lisävarusteista, ota yhteys paikalliseen Makitan huoltoon.

- Teräketju
- Terälevyn suojus
- Terälevy
- Ketjuöljy

HUOMAUTUS:

- Jotkin luettelossa mainitut varusteet voivat sisältyä työkalun toimitukseen vakiovarusteina. Ne voivat vaihdella maittain.

LATVIEŠU (oriģinālās instrukcijas)

Kopskata skaidrojums

2-1. Svira	12-1. Vada āķis	18-3. Atbloķēt
2-2. Zobrata aizsargs	12-2. Darbarīka vads	19-1. Priekšējais roku aizsargs
3-1. Regulēšanas skrūve	12-3. Pagarinātājs	19-2. Atbloķēt
4-1. Regulēšanas ciparrīpa	12-4. Kontaktdakša un kontaktspraudnis (forma dažādās valstīs var atšķirties)	19-3. Bloķēt
5-1. Zobrats	13-1. Atbloķēšanas poga	20-1. Elļas līmeņa apskates lodziņš
6-1. Virzošā sliede	13-2. Slēdža mēlīte	22-1. Zobatturis
6-2. Caurums	15-1. Elļas ielietnes vāciņš	26-1. Zāģēšanas zona
7-1. Āķis	15-2. Aukla	29-1. Gāšanas virziens
7-2. Caurums	16-1. Atskrūvēt	29-2. Bīstamā zona
7-3. Vadtapa	16-2. Savilkt	29-3. Atkāpšanās ceļš
9-1. Svira	16-3. Ķēdes regulēšanas skrūve	31-1. Zāģēšanas garums
9-2. Zobrata aizsargs	16-4. Virzošā sliede	31-2. Attālums starp zāģēšanas malu un dziļummēru
10-1. Atskrūvēt	16-5. Zāģa ķēde	31-3. Minimums – 3 mm
10-2. Savilkt	17-1. Atskrūvēt	32-1. Sānu plātnes zobu leņķis
10-3. Ķēdes regulēšanas skrūve	17-2. Savilkt	37-2. Elļas padeves sprauga
10-4. Virzošā sliede	17-3. Regulēšanas ciparrīpa	38-1. Zobrats
10-5. Zāģa ķēde	17-4. Virzošā sliede	39-1. Robežas atzīme
11-1. Atskrūvēt	17-5. Zāģa ķēde	40-1. Sukas turekļa vāks
11-2. Savilkt	18-1. Priekšējais roku aizsargs	40-2. Skrūvgriezis
11-3. Regulēšanas ciparrīpa	18-2. Bloķēt	
11-4. Virzošā sliede		
11-5. Zāģa ķēde		

SPECIFIKĀCIJAS

Modeiis	UC3050A	UC3051A	UC3550A	UC3550AP	UC3551A	UC4050A	UC4051A	UC4550A	UC4551A	
Ķēdes maks. ātrums	14,5 m/s (870 m/min)									
Standarta virzošā sliede	Slīdes garums	300 mm	350 mm			400 mm	450 mm			
	Zāģēšanas garums	260 mm	320 mm			355 mm	415 mm			
	Virzošās slīdes veids	Zobratu gala stienis								
Standarta zāģa ķēde	Veids	91PX								
	Darva	3/8"								
	Piedziņas savienojumu skaits	46	52			56	62			
Ieteicamais virzošās slīdes garums	300 - 450 mm									
Kopējais garums (bez virzošās slīdes)	505 mm									
Neto svars	5,4 kg	5,5 kg	5,5 kg	5,6 kg	5,5 kg	5,6 kg	5,7 kg			
Pagarinājuma vads (piederums)	DIN 57282/HO 7RN -F L=30 m maks..3x1,5 mm ²									

- Dēļ mūsu nepārtrauktās pētniecības un izstrādes programmas, šeit dotās specifikācijas var mainīties bez brīdinājuma.
- Atkarība no valsts specifikācijas var atšķirties.
- Svārs atbilstoši EPTA-Procedure 01/2003

END218-7

Simboli

Zemāk ir attēloti simboli, kas attiecas uz iekārtu. Pirms darbarīka izmantošanas pārliecinieties, vai pareizi izprotat to nozīmi.



• Izlasiet rokasgrāmatu un ievērojiet brīdinājumus un drošības instrukcijas.



• Lietojiet acu aizsargus.
















• Lietojiet ausu aizsargus.

• DUBULTA IZOLĀCIJA

• Uzmanību: ar darbarīku ir jārikojas īpaši uzmanīgi!

• Uzmanību: ja kabelis ir bojāts, nekavējoties atvienojiet kontaktdakšu no elektrotīkla!

-  · Uzmanību: atsitiens!
-  · Sargājiet no lietus un mitruma!
-  · Izmantojiet ķiveri, aizsargbrilles un ausu aizsargus!
-  · Izmantojiet aizsargcimdus!
-  · Atvienojiet kontaktdakšu no elektrotīkla!
-  · Pirmā palīdzība
-  · Maksimāli atļautais zāģēšanas garums
-  · Ķēdes gājiena virziens
-  · Ķēdes eļļa
-  · Ķēdes bremze atlaista
-  · Ķēdes bremze piespiesta
-  · Aizliegts!
-  · Tikai ES valstīm
Neizmest elektrisko aprīkojumu sadzīves atkritumos!

Saskaņā ar Eiropas direktīvu par lietotajām elektroiekārtām un elektronikas iekārtām un tās iekļaušanu valsts likumdošanā lietotais elektriskais aprīkojums jāsavāc atsevišķi un jānogādā otrreizējai pārstrādei vidi saudzējošā veidā.

ENE085-1

Paredzētā lietošana

Šis darbarīks ir paredzēts kokmateriālu un baļķu zāģēšanai.

ENF002-2

Strāvas padeve

Darbarīks jāpievieno tikai tādai strāvas padevei, kuras spriegums ir tāds pats, kā norādīts uz plāksnītes ar nosaukumu, un to var ekspluatēt tikai ar vienfāzes maiņstrāvas padevi. Darbarīks aprīkots ar divkārtšo izolāciju, tādēļ to var izmantot arī, pievienojot kontaktligzdai bez iezemējuma vada.

ENG905-1

Troksnis

Tipiskais A-svērtais trokšņa līmenis ir noteikts saskaņā ar EN60745:

Skaņas spiediena līmenis (L_{pA}): 90,8 dB (A)
Skaņas jaudas līmenis (L_{WA}): 101,8 dB (A)
Neskaidrība (K): 2,5 dB (A)

Lietojiet ausu aizsargus

Vibrācija

Vibrācijas kopējā vērtība (trīs asu vektora summa) noteikta saskaņā ar EN60745:

Darba režīms: koksnes zāģēšana
Vibrācijas emisija (a_{hv}): 5,2 m/s^2
Neskaidrība (K): 1,5 m/s^2

ENG901-1

- Paziņotā vibrācijas emisijas vērtība noteikta atbilstoši standarta pārbaudes metodei un to var izmantot, lai salīdzinātu vienu darbarīku ar citu.
- Paziņoto vibrācijas emisijas vērtību arī var izmantot iedarbības sākotnējā novērtējumā.

⚠BRĪDINĀJUMS:

- Reāli lietojot mehanizēto darbarīku, vibrācijas emisija var atšķirties no paziņotās emisijas vērtības atkarībā no darbarīka izmantošanas veida.
- Lai aizsargātu lietotāju, nosakiet drošības pasākumus, kas pamatoti ar iedarbību reālos darba apstākļos (ņemot vērā visus ekspluatācijas cikla posmus, piemēram, laiku, kamēr darbarīks ir izslēgts un kad darbojas tukšgaitā, kā arī palaides laiku).

ENH021-8

Tikai Eiropas valstīm

EK Atbilstības deklarācija

Makita paziņo, ka šāds instruments(-i):

Darbarīka nosaukums:

Motorzāģis

Modeļa Nr./ tips: UC3050A, UC3550A, UC4050A, UC4550A, UC3051A, UC3551A, UC3550AP, UC4051A, UC4551A

Specifikācijas: skatīt tabulu „SPECIFIKĀCIJAS”.

Atbilst sekojošām Eiropas Direktīvām:

2000/14/EK, 2006/42/EK

Ražots saskaņā ar šādu standartu vai normatīvajiem dokumentiem:

EN60745

Tehniskā lieta atbilstīgi 2006/42/EK ir pieejama:

Makita, Jan-Baptist Vinkstraat 2, 3070, Beļģija

Atbilstības novērtējuma procedūra, ko nosaka Direktīva 2000/14/EK, veikta atbilstīgi V pielikumam
Aprēķinātais skaņas jaudas līmenis: 101,9 dB (A)
Garantētais skaņas jaudas līmenis: 103 dB (A)

8.5.2014



000331

Yasushi Fukaya
Direktors

Makita, Jan-Baptist Vinkstraat 2, 3070, Beļģija

Vispārējie mehanizēto darbarīku drošības brīdinājumi

△ BRĪDINĀJUMS Izlasiet visus drošības brīdinājumus un visus norādījumus. Brīdinājumu un norādījumu neievērošanas gadījumā var rasties elektriskās strāvas trieciens, ugunsgrēks un/vai nopietnas traumas.

Glabājiet visus brīdinājumus un norādījumus, lai varētu tajos ieskatīties turpmāk.

GEB037-8

Ķēdes zāga drošības brīdinājumi

- Kad darbojas ķēdes zāģis, netuviniet zāģa ķēdei nevienu ķermeņa daļu. Pirms ķēdes zāģa iedarbināšanas pārliecinieties, vai zāģa ķēde nekam nepieskaras.** Neuzmanības mirklis ķēdes zāģa lietošanas laikā var izraisīt jūsu apģērba vai ķermeņa saķeršanos ar zāģa ķēdi.
- Vienmēr turiet ķēdes zāģi ar labo roku uz aizmugurējā roktura un kreiso roku uz priekšējā roktura.** Ķēdes zāģa turēšana rokās, tās novietojot pretēji iepriekš minētajam, palielina savainojuma risku un tā nekad nedrīkst rīkoties.
- Turiet mehanizēto darbarīku tikai aiz izolētajām satveršanas virsmām, jo zāģa ķēde var saskarties ar aplēptu elektroinstalāciju vai ar savu vadu.** Ja zāģa ķēde saskarsies ar vadu, kurā ir strāva, visas darbarīka ārējās metāla virsmas vadīs strāvu un radīs elektriskās strāvas trieciena risku.
- Izmantojiet aizsargbrilles un ausu aizsargus.** Ieteicams lietot papildu aizsardzības līdzekļus galvai, rokām un kājām. Piemērots aizsargapģērbs samazinās risku gūt savainojumu ar atlecošiem gružiem vai nejauši saskaroties ar zāģa ķēdi.
- Nedarbiniet ķēdes zāģi, atrodoties kokā.** Ķēdes zāģa darbināšana, atrodoties kokā, var novest pie savainojuma gūšanas.
- Vienmēr nodrošiniet labu atbalstu kājām un darbiniet ķēdes zāģi tikai stāvot uz stabilas, drošas un līdzenas virsmas.** Slidenas un nestabilas virsmas kā, piemēram, kāpnes var izraisīt līdzsvara un ķēdes zāģa kontroles zaudēšanu.
- Zāģējot lielus nospriegotus zarus, esiet modri, lai izvairītos no atlecošiem zariem.** Kad kokšnes šķiedras nospriegojums ir zudis, nospriegotais zars var atsisties pret operatoru un/vai izsist ķēdes zāģi, padarot to nekontrolējamu.

- Esiet īpaši piesardzīgi, zāģējot zemus krūmājus un kociņus.** Tievie zari var saķerties ar ķēdes zāģi un triekties pret jums kā pātagas vai izraut jūs no līdzsvara.
- Pārņēsājiēt ķēdes zāģi, turot pie priekšējā roktura, izslēgtu un turot atstatu no sevis.** Transportējot vai uzglabājot ķēdes zāģi, vienmēr uzlieciet virzošās sliedes vāku. Pareiza rīkošanās ar ķēdes zāģi samazinās iespēju nejauši saskarties ar kustīgo zāģa ķēdi.
- Ievērojiet elļošanas, ķēdes spriegošanas un piederumu maiņas norādījumus.** Nepareizi nospriegota vai ieeļļota ķēde var saplīst vai palielināt atsitienu iespēju.
- Rūpējieties, lai rokturi būtu sausi, ūtri un uz tiem nebūtu smērvielu.** Taukaini un eļļaini rokturi ir slideni un var izraisīt kontroles zudumu.
- Zāģējiet tikai kokmateriālus. Neizmantojiet ķēdes zāģi nolūkam, kuram tas nav paredzēts. Piemēram: Neizmantojiet ķēdes zāģi plastmasas, mūra vai celtniecības materiālu zāģēšanai, kas nav no kokšnes.** Ķēdes zāģa izmantošana neparedzētiem nolūkiem var radīt bīstamas situācijas.
- Atsitienu iemesli un operatora iespējas to novērst:**

Atsitiens var rasties, kad virzošās sliedes gals vai uzgalis pieskaras priekšmetam vai kad koks sakļaujas un iespiež zāģa ķēdi zāģējumā.

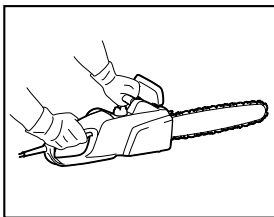
Saskare ar uzgali dažos gadījumos, iespējams, var izraisīt pēkšņu pretreakciju, pasitot virzošo sliedi augšup un atpakaļ operatora virzienā.

Zāģa ķēdes iespiešana gar virzošās sliedes augšgalu var pēkšņi pastumt virzošo sliedi atpakaļ operatora virzienā.

Abas minētās pretdarbības var izraisīt zāģa kontroles zudumu, kas savukārt var izraisīt nopietnus ievainojumus. Nepaujieties tikai uz aizsargierīcēm, kas iebūvētas zāģī. Lietojot ķēdes zāģi, jums jāveic vairākas darbības, lai zāģējot aizsargātos no negadījumiem un ievainojumiem.

Atsitiens rodas darbarīka nepareizas lietošanas un/vai nepareizas darbības vai apstākļu rezultātā, un no tā var izvairīties, veicot piemērotus drošības pasākumus, kā norādīts zemāk:

- **Turiet cieši satvertu abās rokās, ar īkšķiem un pirkstiem apņēmot motorzāģa rokturus un novietojiet savu ķermeni un roku tā, lai varētu pretoties atsitienu spēkam.** Ja tiek izmantota pareiza piesardzība, operators var kontrolēt atsitienu spēku. Neatļaidiet motorzāģi.



014316

- **Nesniedzieties pārāk tālu un nezāgējiet virs plecu līmeņa.** Tas ļauj novērst neparedzētu saskari ar uzgali un ļauj labāk kontrolēt ķēdes zāģi negaidītās situācijās.
- **Izmantojiet tikai rezerves sliedes un ķēdes, ko norādījis ražotājs.** Nepareiza rezerves sliežu un ķēžu izmantošana var saplēst ķēdi un/vai izraisīt atsitieni.
- **Ievērojiet ražotāja asināšanas un apkopes instrukcijas ķēdes zāģim.** Dziļummēra augstuma samazināšana var izraisīt pastiprinātu atsitieni.

PAPILDUS DROŠĪBAS NOTEIKUMI

1. Lai iepazītos ar ķēdes zāģa darbību, izlasiet rokasgrāmatu.
2. Pirms izmantot ķēdes zāģi pirmo reizi, iegūstiet instrukcijas par tā darbību. Ja tas nav iespējams, pirms darba sākšanas vismaz trenējieties zāģēt apalkokus uz kokzāģēšanas stēķiem.
3. Ķēdes zāģi nedrīkst izmantot bērni vai jaunieši, kas jaunāki par 18 gadiem. Jauniešus, kam ir vairāk par 16 gadiem, var neiekļaut šajā ierobežojumā, ja tie saņem apmācību speciālista uzraudzībā.
4. Darbam ar ķēdes zāģi nepieciešama liela koncentrēšanās spēja. Nestrādājiet ar zāģi, ja nejutāties labi un veseli. Darbu veiciet mierīgi un uzmanīgi.
5. Nekad nestrādājiet alkohola, narkotiku vai medikamentu ietekmē.

Pareiza lietošana

1. Ķēdes zāģis ir paredzēts tikai un vienīgi koka zāģēšanai. Neizmantojiet to, lai zāģētu, piemēram, plastmasu vai gāzbetonu.
2. Ķēdes zāģi izmantojiet tikai darbam, kas aprakstīts šajā rokasgrāmatā. **Neizmantojiet** to, piemēram, dzīvzogu cirpšanai vai citiem līdzīgiem mērķiem.
3. Ķēdes zāģi nedrīkst izmantot mežsaimniecības darbiem, t.i., augošu koku gāšanai un atzarošanai. Ķēdes zāģa kabelis nenodrošina operatoram mobilitāti un drošību, kas nepieciešams šādam darbam.
4. Ķēdes zāģi nav paredzēti izmantot komerciāliem nolūkiem.
5. Nepārslodojiet ķēdes zāģi.

Individuālās aizsardzības līdzekļi

1. Izvēlieties pieguļošu apģērbu, taču tas nedrīkst ierobežot kustības.
2. Darba laikā lietojiet šādus aizsardzības līdzekļus:
 - Pārbaudītu aizsargķiveri, ja pastāv risks, ko rada krītoši zari u.c.;
 - Sejas masku vai aizsargbrilles;
 - Piemērotus ausu aizsargus (ausu aizsegus, standartā vai pielāgojamus ausu aizbāžņus). Pēc pieprasījuma iespējams veikt otktāvas augstuma analīzi.
 - Stingras ādas aizsargcimdus;
 - Garās bikses no izturīga auduma;
 - Aizsargājošu kombinezonu no auduma, kas noturīgs pret griezumiem;
 - Aizsargapavus vai apavus ar neslīdošu zoli, tērauda pirkstu aizsargu un oderi, kas noturīga pret griezumiem;
 - Gāzmasku, veicot darbu, kura laikā rodas putekļi (piemēram, sausas koksnes zāģēšana).

Aizsardzība pret elektriskās strāvas triecienu



- Ķēdes zāģi nevar izmantot drēgnos laika apstākļos vai mitrā vidē, jo elektriskais dzinējs nav ūdensdrošs.
1. Zāģi pievienojiet tikai kontaktligzdām pārbaudītās elektriskajās ķēdēs. Pārbaudiet, vai sistēmas spriegums atbilst uz tehnisko datu plāksnes norādītajam. Pārbaudiet, vai ir uzstādīts 16 A līnijas drošinātājs. Zāģus, kurus izmanto ārpus telpām, jāpievieno paliekošās strāvas īssavienojuma pārtraucējam ar darba strāvu, kas nav lielāka par 30 mA.
 - Ja tiek sabojāts savienojuma kabelis, nekavējoties atvienojiet kontaktdakšu no elektrotīkla.



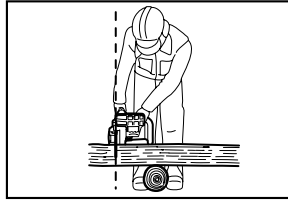
Droša darba prakse

1. Pirms sākt darbu, pārbaudiet, vai ķēdes zāģis ir labā darba kārtībā un vai tā stāvoklis atbilst drošības noteikumiem. It sevišķi pārbaudiet, vai:
 - Ķēdes bremze darbojas pareizi;
 - Jaudas pārtraukšanas bremze darbojas pareizi;
 - Stieņa un zobratu pārsegi ir pareizi uzlikti;
 - Ķēde ir uzasināta un nosprīgota saskaņā ar noteikumiem;
 - Elektrības kabelis un elektrotīkla kontaktdakša nav bojāta;

Skatiet sadaļu "PĀRBAUDES".

2. It sevišķi pārbaudiet, vai izmantotajam pagarinājuma kabelim ir piemērots šķērsriezums (skatīt "TEHNISKIE DATI"). Izmantojot kabeļa spoli, pilnībā notiniet kabeli no spoles. Izmantojot zāģi ārpus telpām, pārliecinieties, vai izmantotais kabelis ir paredzēts izmantošanai ārpus telpām un vai tam ir atbilstošs nomināls.

3. Neturiet vadu zāģējamā apgabala tuvumā un novietojiet vadu tā, lai zāģēšanas laikā tas nebūtu saķēries zaros un tamlīdzīgi.
4. Nestrādājiet ar zāģi viegli izliesmojošu putekļu un gāzu tuvumā, jo dzinējs rada dzirksteles, kas izraisa **eksplozijas risku**.
5. Strādājiet tikai uz cietas zemes un uz stabila pamata. Īpašu uzmanību pievēršiet šķēršļiem (piemēram, kabelim) darba vietas tuvumā. Īpaši uzmanieties, ja mitrums, ledus, sniegš, tikko zāģēts koks vai miza var virsmu padarīt slidenu. Izmantojot zāģi, nestāviet uz kāpnēm vai kokiem.
6. Īpaši uzmanieties, strādājot uz slīpas zemes; ripojoši strumbri un zari rada potenciālu risku.
7. Nekad nezāģējiet augstāk par plecu augstumu.
8. **ieslēdzot un izmantojot ķēdes zāģi, turiet to abās rokās.** Aizmugurējo rokturi turiet ar labo roku un priekšējo rokturi ar kreiso roku. Rokturus turiet cieši, izmantojot abus īkšķus. Ieslēdzot zāģi, sliede un ķēde nedrīkst saskarties ar citiem priekšmetiem.

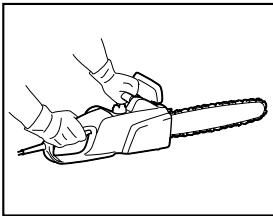


006909

17. Pārvietojoties no vienas vietas uz citu zāģēšanas starplaikos, izmantojiet ķēdes bremzi, lai ķēde nejauši nesāktu darboties. Pārmēsājot ķēdes zāģi, turiet to aiz priekšējā roktura un neturiet pirkstu uz slēdža.
18. Pārtraukumos, un atstājot ķēdes zāģi bez uzraudzības, atvienojiet kontaktdakšu no elektrotīkla. Novietojiet ķēdes zāģi tādā vietā, kur tas nerada potenciālu risku.

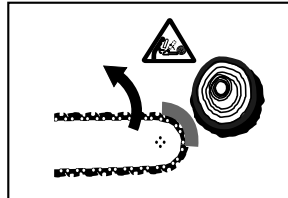
Atsitiens

1. Darbā ar ķēdes zāģi var rasties bīstams atsitiens. Atsitiens rodas tad, ja sliedes gals (īpaši augšējā ceturtdaļa) saskaras ar koku vai citu cietu priekšmetu. Tādējādi ķēdes zāģis var atlēkt atpakaļ operatora virzienā.



014316

9. Laukumu, ko paredzēts zāģēt, attīriet no svešķermeņiem, piemēram, smiltīm, akmeņiem, naglām, stieplēm u.c. Svešķermeņi var sabojāt sliedi un ķēdi, kā arī izraisīt bīstamu atsitienu.
10. Īpaši uzmanieties, zāģējot stieplu žogu tuvumā. Nezāģējiet žogu, jo zāģis var atlēkt atpakaļ.
11. Nezāģējiet zemi.
12. Koka gabalus zāģējiet atsevišķi, nezāģējiet tos saišķos vai kaudzēs.
13. Neizmantojiet zāģi, lai zāģētu smalkus zarus un saknes, jo tie var iekerties ķēdes zāģī. Līdzsvara zaudēšana ir bīstama.
14. Zāģējot sazāģētus kokmateriālus, izmantojiet drošu atbalstu (kokzāģēšanas steķi).
15. Neizmantojiet ķēdes zāģi, lai aizvirzītu vai aizslaucītu koka gabalus un citus priekšmetus.
16. Virziet ķēdes zāģi tā, lai neviena ķermeņa daļa neatrastos ķēdes zāģa trajektorijas pagarinājumā (skatīt attēlu).



006919

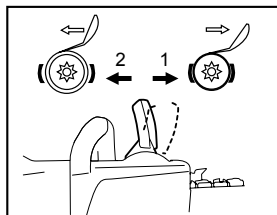
2. Lai izvairītos no atsitienu, ievērojiet šādus noteikumus:
 - Nekad neuzsāciet zāģēt ar sliedes galu.
 - Nekad neizmantojiet zāģēšanai sliedes galu. Īpaši uzmanieties, atsākot zāģēt tajā vietā, kur jau ir iezāģēts.
 - Sāciet zāģēt, kad ķēde darbojas.
 - Vienmēr pareizi uzasiniet ķēdi. Īpaši raugieties, lai dziļummērs ir iestatīts pareizā augstumā.
 - Nekad vienlaicīgi nezāģējiet vairākus zarus kopā.
 - Atzarojot koku, raugieties, lai sliede nesaskaras ar citiem zariem.
 - Zāģējot balķi gabalus, uzmanieties no tuvumā esošiem stuburiem. Vienmēr vērojiet sliedes galu.
 - Izmantojiet kokzāģēšanas steķi.

Drošības funkcijas

1. Vienmēr pirms sākt darbu, pārbaudiet, vai drošības funkcijas ir darba kārtībā. Nelietojiet ķēdes zāģi, ja drošības funkcijas nedarbojas pareizi.

- **Kēdes bremze:**

Kēdes zāģis ir aprīkots ar kēdes bremzi, kas notur ķēdi nekustīgā stāvoklī līdz sekundes precizitātei. Tā aktivizējas, kad rokas aizsargu pastumj uz priekšu. Zāģa ķēde tad apstājas 0,15 sekunžu laikā, un strāvas padeve dzinējam tiek pārtraukta.



1. Kēdes bremze iedarbināta
2. Kēdes bremze atlaista

014317

- **Jaudas pārtraukšanas bremze:**

Kēdes zāģis ir aprīkots ar jaudas pārtraukšanas bremzi, kas nekavējoties aptur zāģa ķēdi, kad atlaiž ON/OFF (iesl./izsl.) slēdzi. Tas novērš kēdes zāģa iedarbināšanu, kad to ieslēdz, tādejādi radot potenciālu risku.

- **Priekšējais un aizmugurējais rokas aizsargs** pasargā lietotāju no atlecoša koka gabalu radītiem ievainojumiem vai no saplēstas zāģa ķēdes.
- **Mēlītes slēdzis** neļauj ķēdes zāģim nejausi ieslēgties.
- **Kēdes uztvērējs** pasargā lietotāju no ievainojuma, ja ķēde nokrīt vai salūzt.

Pārvadāšana un glabāšana



Ja ķēdes zāģi nelieto vai pārvadā, atvienojiet kontaktdakšu no elektrotīkla un uzlieciet zāģa komplektācijā esošo virzošās slīdes vāku. Nekad nepārnēsājiet vai nepārvadājiet zāģi, kad zāģa ķēde darbojas.

1. Pārnēsājiet ķēdes zāģi, turot tikai aiz priekšējā roktura un slīdes turot uz aizmuguri.
2. Glabājiet ķēdes zāģi drošā, sausā un noslēgtā telpā, kur bērni nevar piekļūt. Neglabājiet ķēdes zāģi ārpus telpām.

APKOPE

1. Pirms regulēšanas vai tehniskās apkopes atvienojiet kontaktdakšu no kontaktligzdas.
2. Regulāri pārbaudiet, vai strāvas vada izolācija nav bojāta.
3. Ķēdes zāģi regulāri tīriet.
4. Nekavējoties rūpīgi salabojiet visus plastmasas korpusa bojājumus.
5. Neizmantojiet zāģi, ja slēdža mēlīte nedarbojas pareizi. Salabojiet to pareizi.
6. Ķēdes zāģi nekādā gadījumā nedrīkst pārveidot. Tādejādi ir apdraudēta jūsu drošība.
7. Neveiciet nekādus tehniskās apkopes vai remonta darbus, kas nav aprakstīti šajā rokasgrāmatā. Citus darbus jāveic pilnvarotā servisa centrā.

8. Izmantojiet tikai oriģinālās rezerves daļas un piederumus, kas paredzēti jūsu zāģa modelim. Citu daļu izmantošana palielina negadījumu risku.
9. Mēs neuzņemamies nekādu atbildību par negadījumiem vai bojājumiem, ja tiek izmantotas neapstiprinātas ķēdes slīdes, zāģa ķēdes vai citas rezerves daļas, vai piederumi.

Pirmā palīdzība



Nestrādājiet vienatnē. Vienmēr strādājiet tādā attālumā no citas personas, lai varat to sasaukt.

1. Vienmēr tuvumā glabājiet pirmās palīdzības aptieciņu. Ja no aptieciņas paņemts kāds priekšmets, nekavējoties atlieciet vietā jaunu.
2. Ja ir noticis negadījums un jums ir vajadzīga palīdzība, sniedziet šādu informāciju:
 - Kur notika negadījums?
 - Kas tieši atgadījās?
 - Cik cilvēku ir ievainoti?
 - Kādi ir viņu ievainojumi?
 - Kas ziņo par negadījumu?

PIEZĪME:

Ja personas, kam ir vāja asinsrite, ir pakļautas pārmērīgai vibrācijai, tiem var rasties asinsvadu vai nervu sistēmas ievainojumi.

Vibrācija var radīt šādus simptomus: pirkstos, plaukstās vai plaukstu locītavās: "iemīgšanu" (nejūtīgumu), tirpšanu, sāpes, durstīgas sajūtas, izmaiņas ādas krāsā vai ādas izmaiņas.

Ja novērojami kādi no minētajiem simptomiem, apmeklējiet ārstu!

SAGLABĀJIET ŠOS NORĀDĪJUMUS.

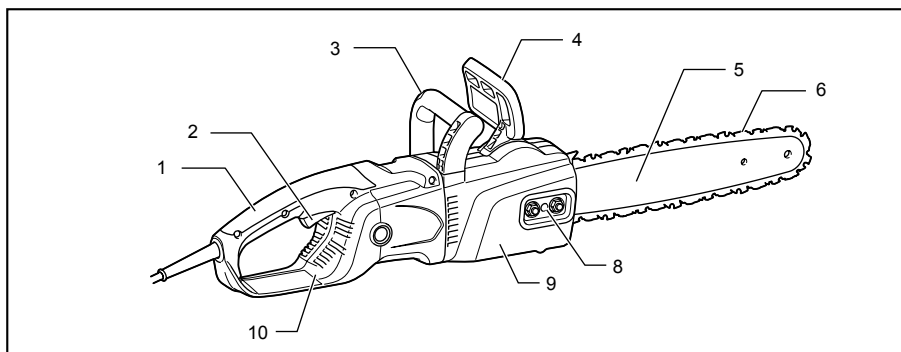
△BRĪDINĀJUMS:

NEZAUDĒJIET modrību darbarīka lietošanas laikā (tas var gadīties pēc darbarīka daudzskārtējas izmantošanas), rūpīgi ievērojiet urbšanas drošības noteikumus šim izstrādājumam. **NEPAREIZAS LIETOŠANAS** vai šīs rokasgrāmatas drošības noteikumu neievērošanas gadījumā var gūt smagas traumas.

DAĻU APZĪMĒJUMI

(Modeļiem ar uzgriežņiem: zobrata aizsargu nostiprina ar uzgriežņiem.)

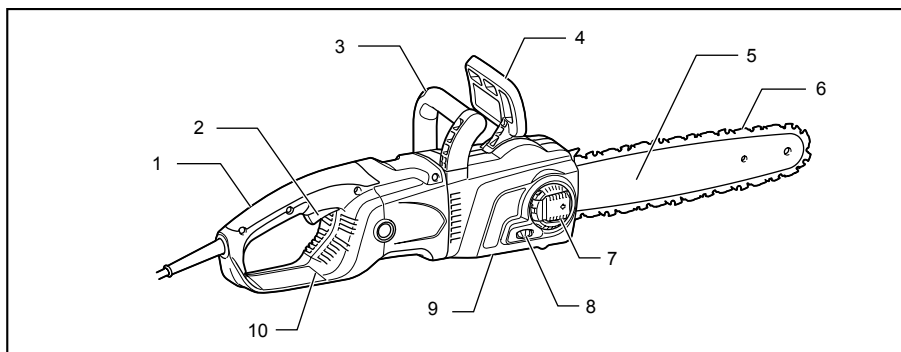
Modelim UC3050A, UC3550A, UC3550AP, UC4050A, UC4550A



014372

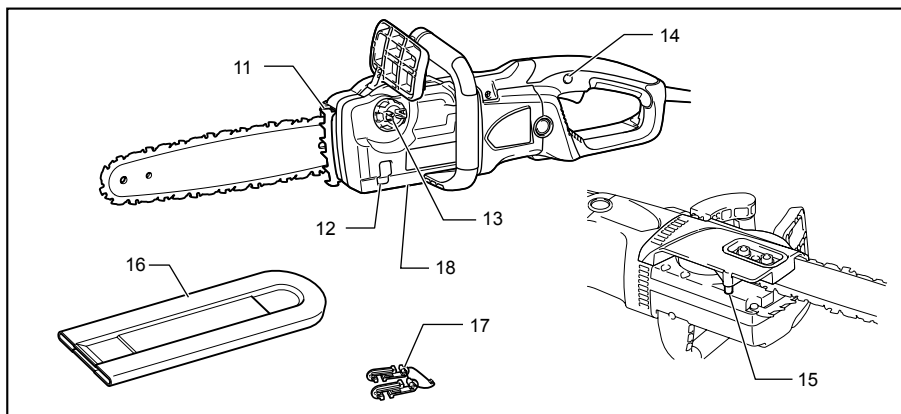
(Modeļiem ar sviru: zobrata aizsargu nostiprina ar sviru.)

Modelim UC3051A, UC3551A, UC4051A, UC4551A



014373

(Visiem modeļiem)



014514

1	Aizmugurējais rokturis	7	Svira	13	Elļas ielietnes vāciņš
2	Slēdža mēlīte	8	Regulēšanas skrūve/ripa	14	Atbloķēšanas poga
3	Priekšējais rokturis	9	Zobrata aizsargs	15	Ķēdes uztvērējs
4	Priekšējais roku aizsargs	10	Aizmugurējais roku aizsargs	16	Virzošās sliedes vāks
5	Virzošā sliede	11	Zobatturis	17	Vada āķis
6	Zāģa ķēde	12	Elļas līmeņa apskates lodziņš	18	Elļas sūkņa regulēšanas skrūve (apakšdaļā)

014375

MONTĀŽA

⚠UZMANĪBU:

- Vienmēr pārliecinieties, vai instruments ir izslēgts un atvienots no barošanas, pirms veicat jebkādas darbības ar instrumentu.

Zobrata aizsarga uzstādīšana vai noņemšana

Lai noņemtu zobrata aizsargu, veiciet šādas darbības:

(Modeļiem ar uzgriežņiem)

Att.1

Atskrūvējiet uzgriezni.

(Modeļiem ar sviru)

Att.2

Nospiediet un pilnībā atveriet sviru, līdz tā atdurās.

Pagrieziet sviru pretēji pulksteņrādītāja virzienam.

Lai uzstādītu zobrata aizsargu, veiciet norādītās darbības pretējā secībā.

Zāģa ķēdes noņemšana vai uzstādīšana

⚠UZMANĪBU:

- Uzstādot vai noņemot zāģa ķēdi, vienmēr valkājiet aizsargcimdus.

Lai noņemtu zāģa ķēdi, veiciet turpmākās darbības:

- Atskrūvējiet zobrata aizsargu.
- (Modeļiem ar uzgriežņiem.) Pagrieziet ķēdes regulēšanas skrūvi pretēji pulksteņrādītāja virzienam, lai atbrīvotu zāģa ķēdes nospiējumu.
(Modeļiem ar sviru.) Pagrieziet regulēšanas ripu virzienā „-“, lai atbrīvotu zāģa ķēdes nospiējumu.

Att.3

Att.4

- Noņemiet zobrata aizsargu.
- Noņemiet nost no motorzāģa ķēdi un virzošo sliedi.

Lai uzstādītu zāģa ķēdi, veiciet šādas darbības:

- Pārbaudiet ķēdes griešanās virzienu. Bultiņas zīme uz ķēdes norāda ķēdes griešanās virzienu.

Att.5

- Zāģa ķēdes vienu galu uzlieciet uz virzošās sliedes gala, bet otru - apkārt zobratam.
- Motorzāģim piestipriniet virzošo sliedi.
- Savietojiet sprieguma regulētāju ar caurumu virzošajā sliedē.

Att.6

9. Turot virzošo sliedi, pagrieziet ķēdes regulēšanas skrūvi/ripu un noregulējiet zāga ķēdes nosprigojumu.
10. Uzlieciet zobrata aizsargu tā, lai āķi atrastos pret caurumiem un tapas atrastos tapām zobrata aizsargā.

Att.7

11. Pieskrūvējiet zobrata aizsargu.

Att.8

Att.9

Zāga ķēdes sprieguma regulēšana

Pēc daudzām ekspluatācijas stundām zāga ķēde var kļūt vaļīga. Ik pa laikam pirms ekspluatācijas pārbaudiet zāga ķēdes nosprigojumu.

1. Nedaudz atskrūvējiet zobrata aizsargu.
2. Nedaudz paceliet virzošās sliedes galu.
3. Lai noregulētu zāga ķēdes nosprigojumu, pagrieziet regulēšanas skrūvi/ripu.

Att.10

Att.11

4. Pievelciet zāga ķēdi, līdz zāga ķēdes apakšējā daļa ievietojas virzošās sliedes rievā (skatiet apvilkto apli).
5. Turpiniet turēt virzošo sliedi nedaudz paceltu; pēc ķēdes nosprigojuma noregulēšanas pievelciet zobrata aizsargu. Pārbaudiet, vai zāga ķēdes apakšējā daļa nav vaļīga.

Pārbaudiet, vai zāga ķēde cieši pieguļ sliedes apakšējai daļai.

⚠UZMANĪBU:

- Nenospriegojiet zāga ķēdi pārāk daudz. Ja zāga ķēde būs pārāk cieši nosprigota, tā var pārrauties, virzošā sliede var nodilt vai arī regulēšanas ciparripa var salūzt.
- Ķēde, kas ir pārāk vaļīga, var nokrist nost no sliedes un tāpēc var izraisīt negadījuma risku.
- Zāga ķēde jāuzstāda vai jānoņem tīrā vietā, kurā nav zāgu skaidas un līdzīgi materiāli.

Pagarinātāja izmantošana

⚠UZMANĪBU:

- Pārlicinieties, ka pagarinātājs ir atvienots no tīkla kontaktrozetes.

Att.12

Pievienojot pagarinātāju, ar vada āķi piestipriniet to pie motorzāga vada.

Vada āķi piestipriniet apmēram 100–200 mm no pagarinātāja savienotāja. Tas palīdzēs novērst netīšu atvienošanu.

EKSPLUATĀCIJA

⚠UZMANĪBU:

- Kad lietojat darbarīku, turiet to cieši ar labo roku aiz aizmugurējā roktura, un ar kreiso roku aiz priekšējā roktura.

Slēdža darbība

Att.13

⚠UZMANĪBU:

- Pirms slēdža mēlītes funkcionēšanas pārbaudes noteikti pārlicinieties, vai darbarīks ir izslēgts un atvienots no barošanas.
- Pirms instrumenta pieslēgšanas vienmēr pārbaudiet, vai slēdža mēlīte darbojas pareizi un atgriežas izslēgtā stāvoklī, kad tiek atlaista.

Lai nepieļautu slēdža mēlītes nejaušu pavilkšanu, darbarīks ir aprīkots ar atbloķēšanas pogu.

Lai iedarbinātu darbarīku, nospiediet atbloķēšanas pogu un pavelciet slēdža mēlīti. Lai apturētu darbarīku, atļaidiet slēdža mēlīti.

Elļošana

⚠UZMANĪBU:

- Pirms zāga ķēdes elļošanas vienmēr pārbaudiet, vai darbarīks ir izslēgts un atvienots no strāvas.

Att.14

Zāga ķēdi un sliedi elļojiet, izmantojot bioloģiski noārdošos ķēdes elļu ar lipšanas līdzekli. Lipšanas līdzeklis zāga ķēdes elļā daudz ilgāk saglabā elļu uz zāga ķēdes. Nedrīkst izmantot minerāleļļas, jo tās ir kaitīgas apkārtējai videi.

⚠UZMANĪBU:

- Uzmanieties, lai eļļa nesass ar ādu un acīm. Saskaroties ar acīm, rodas kairinājums. Ja eļļa nokļuvusi acīs, nekavējoties izskalojiet tās ar tīru ūdeni un pēc tam sazinieties ar ārstu.
- Nekad neizmantojiet izlietotu eļļu. Izlietota eļļa satur kancerogēnas vielas. Piesārņojums izlietotajā eļļā izraisa paātrinātu eļļas sūkņa, sliedes un ķēdes nolietošanu. Izlietota eļļa ir kaitīga apkārtējai videi.
- Pirmo reizi uzpildot motorzāģi ar ķēdes eļļu vai arī uzpildot tvertni pēc tās pilnīgas iztukšošanas, iepildiet eļļu līdz ielietnes augšējai malai. Pretējā gadījumā eļļas padeve var būt traucēta.

Att.15

Lai uzpildītu eļļu, veiciet turpmākās darbības:

1. Pilnībā notīriet laukumu ap eļļas ielietnes vāciņu, lai eļļas tvertnē neiekļūtu netīrumi.
2. Atskrūvējiet eļļas ielietnes vāciņu un iepildiet eļļu līdz ielietnes apakšējai malai.
3. Cieši uzskrūvējiet eļļas ielietnes vāciņu atpakaļ.
4. Rūpīgi noslaukiet ķēdes eļļas paliekas uz zāga.

PIEZĪME:

- Eksploatējot motorzāģi pirmo reizi, zāģa ķēdes eļļai vajadzēs apmēram divas minūtes, lai tā sāktu ieeļļot zāģa mehānismu. Darbiniet zāģi bez noslodzes, kamēr tas ieeļļojas (skat. sadaļu "PĀRBAUDES").

PĀRBAUDES

Pirms darba uzsākšanas veiciet šādas pārbaudes:

Ķēdes nospriegojuma pārbaude

△BRĪDINĀJUMS:

- Pirms ķēdes nospriegojuma pārbaudes vienmēr atvienojiet strāvas vadu no kontakta un valkājiet aizsargcimdus.

(Modeļiem ar uzgriežņiem)

Att.16

(Modeļiem ar sviru)

Att.17

Pārbaudiet, vai zāģa ķēde cieši pieguļ sliedes apakšējai daļai (skatiet apvilkto apli).

Bieži pārbaudiet ķēdes nospriegojumu, jo jaunas ķēdes izstiepjas.

Ja zāģa ķēde būs pārāk cieši nospriegota, tā var pārrauties, virzošā sliede var nodilt vai arī regulēšanas ciparrīpa var salūzt.

Ķēde, kas ir pārāk vaļīga, var nokrist nost no sliedes un tāpēc var izraisīt negadījuma risku.

Ja ķēde ir pārāk vaļīga, skatiet sadaļu „Zāģa ķēdes sprieguma regulēšana” un vēlreiz noregulējiet zāģa ķēdes nospriegojumu.

Slēdža darbības pārbaude

△UZMANĪBU:

Pirms instrumenta pieslēgšanas vienmēr pārbaudiet, vai slēdža mēlīte darbojas pareizi un atgriežas izslēgtā stāvoklī, kad tiek atlaista.

Lai nepieļautu slēdža mēlītes nejaušu pavilkšanu, darbarīks ir apriņķots ar atbloķēšanas pogu.

Lai iedarbinātu darbarīku, nospiediet atbloķēšanas pogu un pavelciet slēdža mēlīti. Lai apturētu darbarīku, atlaidiet slēdža mēlīti.

Nevelciet slēdža mēlīti ar spēku, nenospiežot atbloķēšanas pogu. Tā var sabojāt slēdzi.

Ķēdes bremzes pārbaude

PIEZĪME:

- Ja motorzāģis nesāk darboties, pārbaudiet, vai ķēdes bremze ir atlaista. Lai atlaistu ķēdes bremzi, stingri pavelciet rokas aizsargu atpakaļ, kamēr tas saslēdzas.

Att.18

Att.19

Ķēdes bremzi pārbaudiet šādi:

1. Iedarbinot motorzāģi, turiet to ar abām rokām. Aizmugurējo rokturi turiet ar labo roku, bet priekšējo – ar kreiso. Pārbaudiet, vai sliede un ķēde nesaskaras ar kādu priekšmetu.

2. Sākumā nospiediet atbloķēšanas pogu, pēc tam - slēdža mēlīti. Motorzāģis sāk nekavējoties darboties.
3. Nospiediet priekšējo rokas aizsargu uz priekšu, izmantojot delnas virspusi. Zāģa ķēdei nekavējoties ir jāapstājas.

△UZMANĪBU:

- Ja zāģa ķēde nekavējoties neapstājas, nekādā gadījumā neizmantojiet zāģi. Sazinieties ar Makita pilnvarotu servisa centru.

Jaudas pārtraukšanas bremzes pārbaude

Ieslēdziet motorzāģi.

Pilnībā atlaidiet slēdža mēlīti. Pārbaudiet, vai zāģa ķēde nekavējoties apstājas sekundes laikā.

△UZMANĪBU:

- Ja zāģa ķēde nekavējoties neapstājas, nekādā gadījumā neizmantojiet zāģi. Sazinieties ar Makita pilnvarotu servisa centru.

Ķēdes eļļotāja pārbaude

Pirms darba uzsākšanas pārbaudiet eļļas līmeni tvertnē un eļļas padevi.

Eļļas līmeni var redzēt eļļas līmeņa apskates lodziņā, kā attēlots zīmējumā.

Att.20

Eļļas padevi pārbaudiet šādi:

Iedarbiniet motorzāģi.

Zāģim darbojoties, turiet zāģa ķēdi apmēram 15 cm virs koka gabala vai zemes. Ja eļļošana ir pietiekama, eļļas strūklīņa izveidos nelielu eļļas tērcīti.

Pārbaudiet vēja virzienu un lieki nestāviet eļļas šļakatu ceļā.

△UZMANĪBU:

- Ja eļļas tērcīte neveidojas, neeksploatējiet zāģi. Pretējā gadījumā ķēdes ekspluatācijas laiks samazināsies. Pārbaudiet eļļas līmeni. Izfīriet eļļas padeves iedobumu un virzošās sliedes eļļas padeves spraugu (skat. sadaļu "TEHNISKĀ APKOPE").

Ķēdes eļļošanas sūkņa padeves noregulēšana

Att.21

Eļļas sūkņa padeves ātrumu var noregulēt, izmantojot regulēšanas skrūvi.

DARBS AR MOTORZĀĢI

△UZMANĪBU:

- Vienmēr izmantojiet gan priekšējo, gan aizmugurējo rokturi, un darbības laikā cieši turiet darbarīku aiz priekšējā un aizmugurējā roktura.
- Vienmēr nostipriniet zāģējamo kokmateriālu, citādi nozāģētie gabali var radīt ievainojumus.

Sagarumošana

Att.22

Lai sagarumotu, novietojiet zobatturi uz zāģējāmā kokmateriāla tā, kā attēlots zīmējumā.

Kad zāģa ķēde darbojas, sāciet zāģēt koku, ar aizmugures rokturi paceļot zāģi un ar priekšējo – to virzot. Izmantojiet zobatturi par centrālo atbalsta punktu. Turpiniet zāģēt, nedaudz uzspiežot uz priekšējā roktura un zāģi nedaudz atlaižot atpakaļ. Bīdīet zobatturi uz priekšu dziļāk kokā un atkal paceļiet priekšējo rokturi. Zāģējot vairākus gabalus, starplaikos apturiet motorzāģi.

⚠UZMANĪBU:

- Ja zāģēšanai izmantosiet sliedes augšgalu, motorzāģis var noliekties uz jūsu pusi, ja ķēde iesprūdis. Tāpēc zāģēšanai izmantojiet apakšējo sliedes malu, lai zāģis liktos prom no jums.

Att.23

Zāģējiet koku sākumā piespiestajā pusē (A), nospriegojot to. Pēc tam pārzāģējiet to spriegotajā pusē (B). Tādējādi sliede neiesprūdis.

Att.24

Atzarošana

⚠UZMANĪBU:

- Atzarošanu drīkst veikt tikai apmācītas personas. Pastāv atsitienu risks.

Atzarojot atbalstiet motorzāģi uz koka baļķa, ja iespējams. Nezāģējiet ar sliedes galu, jo tādējādi pastāv atsitienu risks. Esiet īpaši uzmanīgi ar nospriegotiem zariem. Nezāģējiet neatbalstītus zarus no apakšas. Nestāviet uz nozāģēta koka baļķa, to atzarojot.

Ieurbumu un gareniska zāģēšana

⚠UZMANĪBU:

- Ieurbumu un garenisku zāģēšanu drīkst veikt tikai personas, kas tam īpaši apmācītas. Tā kā iespējams atsitiens, pastāv ievainojuma risks.

Att.25

Garenisku zāģēšanu veiciet tik nelielā leņķī, cik vien iespējams. Zāģējiet pēc iespējas uzmanīgāk, jo zobatturi šajā gadījumā nevar izmantot.

Koku nozāģēšana

⚠UZMANĪBU:

- Kokus drīkst nozāģēt tikai apmācītas personas. Darbs ir bīstams.

Ievērojiet vietējos noteikumus, ja vēlaties nozāģēt koku.

Att.26

- Pirms koka nozāģēšanas darba uzsākšanas, pārbaudiet, vai:
 - Tuvumā atrodas tikai tās personas, kas piedalās nozāģēšanas darbā;
 - Visām iesaistītajām personām nodrošināts patveršanās ceļš apmēram 45 ° leņķī uz abām pusēm no koka krišanas līnijas.

Ņemiet vērā, ka kokam pastāv arī risks aizķerties aiz elektrības vadiem;

- Baļķa pamatnē nav svešķermeņu, sakņu un zaru;
 - Virzienā, kurā koks var gāzties, 2 1/2 koka garuma attālumā neatrodas neviena persona vai priekšmets.
- Ņemiet vērā šādus apstākļus ikvienu koka zāģēšanas gadījumā:
 - Noliekuma virziens;
 - Vajīgi vai sausi zari;
 - Koka augstums;
 - Dabīgā pārkare;
 - Vai koks ir satrunējis.
 - Ņemiet vērā vēja ātrumu un virzienu. Ja ir spēcīgas vēja brāzmas, neizāģējiet kokus.
 - Izvirzītu sakņu apzāģēšana: Sāciet zāģēt lielākās saknes. Sākumā ieizāģējiet vertikāli, pēc tam - horizontāli.

Att.27

- Iegriezuma veidošana: Iegriezums noteiks, kurā virzienā koks kritīs, un to virzīs. Iegriezumu izdara tajā pusē, uz kuru koku paredzēts nogāzt. Iegrieziet pēc iespējas tuvāk zemei. Sākumā izdariet horizontālu iegriezumu dziļumā, kas ir 1/5 -1/3 no baļķa diametra. Neveidojiet iegriezumu pārāk lielu. Pēc tam veidojiet iegriezumu pa diagonāli.
- Koriģējiet zāģēšanas vietu visā koka platumā.

Att.28

- Aizmugurē zāģējiet mazliet augstāk par pamata iegriezumu. Aizmugurē jāzāģē precīzi horizontālā līmenī. Starp aizmugures zāģējumu un iegriezumu atstājiet apmēram 1/10 no baļķa diametra. Koka šķiedras neizāģētajā daļā kalpo par atbalstu. Nekādā gadījumā nepārzāģējiet šo vietu, jo pretējā gadījumā koks nekontrolēti nogāzīsies. Laicīgi ievietojiet ieizāģējuma vietā ķīļus.
- Iezāģējuma vietā drīkst ievietot tikai plastmasas vai alumīnija ķīļus. Nedrīkst izmantot tērauda ķīļus.
- Stāviet malā no krītošā koka. Neuzturieties krītošā koka aizmugurē līdz 45 ° leņķim uz abām pusēm no koka krišanas virziena (skat. "zāģēšanas zonas" zīmējumu). Uzmanieties no krītošiem zariem.
- Pirms zāģēšanas uzsākšanas vajadzētu izplānot un atīrīt atkāpšanās ceļu. Atkāpšanās ceļam vajadzētu pļesties atpakaļ un pa diagonāli uz paredzamās krišanas līnijas aizmuguri, kā parādīts attēlā.

Att.29

APKOPE

⚠️UZMANĪBU:

- Pirms veicat pārbaudi vai apkopi vienmēr pārliecinieties, vai instruments ir izslēgts un atvienots no barošanas.
- Vienmēr valkājiet cimdus, veicot pārbaudes vai tehniskās apkopes darbus.
- Nekad neizmantojiet gazoļīnu, benzīnu, atšķaidītāju, spirtu vai līdzīgus šķidrums. Tas var radīt izbalēšanu, deformāciju vai plaisas.

Regulāri veiciet tehniskās apkopes darbus, kas aprakstīti turpmāk. Garantijas prasības pieņems tikai tad, ja šīs darbības veiksiet regulāri un pareizi.

Lietotājs drīkst veikt tikai tos tehniskās apkopes darbus, kas aprakstīti šajā rokasgrāmatā. Citus darbus jāveic MAKITA pilnvarotā servisa centrā.

Motorzāga tīrīšana

Tīriet motorzāģi regulāri ar tīru lupatīņu. Rokturi jo īpaši regulāri jāattīra no eļļas.

Plastmasas korpusa pārbaude

Regulāri veiciet visu korpusa daļu vizuālu pārbaudi. Ja kādas daļas ir bojātas, tās nekavējoties pareizi salabojiet MAKITA pilnvarotā servisa centrā.

Zāģa ķēdes asināšana

⚠️UZMANĪBU:

- Darbojoties ar zāģa ķēdi, vienmēr atvienojiet strāvas vadu no kontakta un valkājiet aizsargcimdus.

Att.30

Asiniet zāģa ķēdi, kad:

- Zāģējot mitru koku, rodas irdenas zāģskaidas;
- Ķēde ar grūtībām zāģē koku, pat, ja to stingri piespiež;
- Zāģēšanas mala ir acīmredzami bojāta;
- Zāģis raujas pa kreisi vai pa labi kokā. Šādas darbības cēlonis ir nevienmērīgi uzasināta zāģa ķēde vai arī bojājums tikai vienā tās pusē.

Asiniet zāģa ķēdi bieži, taču katru reizi noslīpējiet tikai nedaudz tās materiāla.

Ikdienas uzasināšanai parasti pietiek, pārvelkot ar vīli divas vai trīs reizes. Kad zāģa ķēde ir bijusi asināta vairākas reizes, nogādājiet to MAKITA pilnvarotā servisa centrā, lai to tur uzasinātu.

Asināšanas kritēriji:

- Visiem zobiem jābūt vienādā garumā. Ja zobi nav vienādā garumā, ķēde nedarbojas vienmērīgi, kā rezultātā tā var salūzt.
- Neasiniet ķēdi, ja zobu garums ir atlicis 3 mm. Tādā gadījumā ķēde jānomaina pret jaunu.
- Skaidu biežumu nosaka attālums starp dziļumam mēru (apaļgalu) un zāģēšanas malu.
- Ķēde zāģē vislabāk tad, ja starp zāģēšanas malu un dziļuma mēru ir šāds attālums:

Ķēdes asmens 91PX: 0,65 mm

Att.31

⚠️BRĪDINĀJUMS:

- Pārāk liels attālums palielina atsietna risku.
- Visiem zobiem jābūt vienādam asināšanas leņķim - 30°. Ja leņķi būs dažādi, ķēde darbosies raujji un nevienmērīgi, pārāk ātri nolietosies un salūzīs.
- Sānu plātnes zobu leņķi nosaka apaļās vīles iespiešanās dziļums. Ja norādīto vīli lieto pareizi, automātiski veidojas pareizs sānu plātnes leņķis.
- Sānu plātnes zobu leņķis atbilstošajām zāģa ķēdēm ir šāds:

Ķēdes asmens 91PX: 80°

Att.32

Vīle un vīles bīdītājs

- Lai uzasinātu zāģa ķēdi, izmantojiet īpašu apaļo vīli (papildpiederums). Parastās apaļās vīles nav piemērotas.
- Diametrs atbilstošajām apaļajām vīlēm ir šāds:
Ķēdes asmens 91PX: 4,0 mm
- Ķēde ar vīli jāvīlē tikai virzienā uz priekšu. Atpakaļgājienā noņemiet vīli no ķēdes.
- Īsākos zobus asiniet vispirms. Šo zobu garums nosaka visu pārējo zāģa ķēdes zobu nepieciešamo garumu.

Att.33

- Virziet vīli tā, kā attēlots zīmējumā.
- Ja izmantojat vīles turētāju (papildaprīkojums), vīli ir daudz vieglāk virzīt. Uz vīles turētāja ir atzīmes pareizam asināšanas leņķim - 30° (novietojiet atzīmes paralēli zāģa ķēdei), un tas ierobežo iespiešanās dziļumu (līdz 4/5 no vīles diametra).

Att.34

- Pēc ķēdes uzasināšanas pārbaudiet dziļuma mēra augstumu, izmantojot ķēdes mēra instrumentu (papildaprīkojums).

Att.35

- Ar īpašu plakano vīli (papildaprīkojums) nogludiniet visus nelīdzenumus, lai arī mazus.
- Vēlreiz noapaļojiet dziļuma mēra priekšējo daļu.

Virzošās sliedes tīrīšana un gala zobrata ieļļošana

⚠️UZMANĪBU:

- Veicot šo darbu, vienmēr valkājiet aizsargcimdus. Atskarpes rada ievainojuma risku.

Att.36

Regulāri pārbaudiet kustīgās detaļas, vai nav bojātas. Tīriet ar piemērotu darbarīku un noņemiet atskarpes, ja nepieciešams.

Ja motorzāģi lietojat reti, vismaz reizi nedēļā ieļļojiet gala zobrata gultni. Pirms jaunas smērvielas pievienošanas notīriet 2 mm spraugu virzošās sliedes galā, tad spraugā iespiediet nedaudz daudzfunkciju smērvielas (papildaprīkojums).

Elļas vadītāja tīrīšana

Att.37

- Regulāri iztīriet elļas vadītāja iedobumu un virzošās slīdes elļas padeves spraugu.

Jaunas zāģa ķēdes

Pārmaiņus lietojiet divas vai trīs zāģa ķēdes, lai zāģa ķēde, zobrats un slīdes kustīgās virsmas nodiltu vienmērīgi.

Apgrieziet sliedi uz otru pusi, kad nomaināt ķēdi, lai tās iedobums nolietotos vienmērīgi.

UZMANĪBU:

- Lietojiet tikai tās ķēdes un virzošās slīdes, kas ir apstiprinātas šim zāģa modelim (skatiet sadaļu „TEHNISKIE DATI”).

Att.38

Pirms jaunas zāģa ķēdes uzlikšanas pārbaudiet zobrata stāvokli.

UZMANĪBU:

- Nodilis zobrats sabojās jaunu zāģa ķēdi. Šajā gadījumā nomainiet zobratu.

Vienmēr uzstādiet jaunu bloķēšanas gredzenu, nomainot zobratu.

Ķēdes un jaudas pārtraukšanas bremžu tehniskā apkope

Bremzēšanas sistēmas ir ļoti nozīmīgas drošības funkcijas. Kā visas pārējās motorzāģa sastāvdaļas, arī tās noteiktā mērā nodilst. Tās regulāri lūdziet pārbaudīt MAKITA pilnvarotā servisa centrā. Šis pasākums jāveic jūsu drošības nolūkā.

Ogles suku nomaīņa

Att.39

Regulāri izņemiet un pārbaudiet ogles suku. Kad ogles suku ir nolietojušās līdz robežas atzīmei, nomainiet tās. Turiet ogles suku tīras un pārbaudiet, vai tās var brīvi ieiet turekļos. Abas ogles suku ir jānomaina vienlaikus. Izmantojiet tikai identiskas ogles suku.

Att.40

Noņemiet suku turekļa vāciņus ar skrūvgrieža palīdzību. Izņemiet nolietojušās ogles suku, ievietojiet jaunas un nostipriniet suku turekļa vāciņus.

Pēc suku nomainīšanas pievienojiet darbarīku barošanas avotam un, darbinot to bez noslodzes apmēram 10 minūtes, ļaujiet sukām iestrādāties.

Darbarīka uzglabāšana

Bioloģiski noārdošo zāģa ķēdes eļļu drīkst uzglabāt tikai neilgu laika posmu. Divus gadus pēc ražošanas bioloģiskās eļļas kļūst lipīgas un var sabojāt eļļas sūkni un eļļošanas sistēmas sastāvdaļas.

- Pirms novietojat motorzāģi ilgstošai glabāšanai, iztukšojiet eļļas tvertni un iepildiet tajā nedaudz dzinēja eļļas (SAE 30).

- Īsu brīdi darbiniet motorzāģi, lai iztecinātu visas bioloģiskās eļļas paliekas no tvertnes, eļļošanas sistēmas un zāģa mehānisma.

PIEZĪME:

- Ja motorzāģi novietojat uzglabāšanai, kādu laiku no tā tecēs ārā nedaudz eļļas. Tā ir normāla parādība un neliecina par bojājumu.

Glabājiet motorzāģi uz piemērotas virsmas.

Pirms atkal sākat to lietot uzpildiet to ar svaigu BIOTOP zāģa ķēdes eļļu.

Lai saglabātu produkta DROŠU un UZTICAMU darbību, remontdarbus, apkopi un regulēšanu uzticiet veikt tikai Makita pilnvarotam apkopes centram un vienmēr izmantojiet tikai Makita rezerves daļas.

PROBLĒMU NOVĒRŠANA

Pirms labošanas vispirms veiciet pārbaudi pats/-i. Ja atklājat problēmu, kas nav izskaidrota rokasgrāmatā, nemēģiniet izjaukt darbarīku. Darbarīku nododiet labošanai Makita pilnvarotā servisa centrā.

Nepareiza darbība	Iespējamais cēlonis	Risinājums
Motorzāģis nesākdarboties.	Nav strāvas padeves.	Pievienojiet strāvas padevei. Pārbaudiet strāvas padevi.
	Bojāts kabelis.	Nekavējoties pārtrauciet darbarīka lietošanu un sazinieties ar vietējo pilnvaroto servisa centru.
	Darbarīka nepareiza darbība.	Nekavējoties pārtrauciet darbarīka lietošanu un sazinieties ar vietējo pilnvaroto servisa centru.
Ķēde negriežas.	Piespiesta ķēdes bremze.	Atlaidiet ķēdes bremzi.
Pārāk maza jauda un efektivitāte.	Nodilusi oglekļa slotiņa.	Vietējā pilnvarotā servisa centrā lūdziet salabot.
Uz zāģa ķēdes nav eļļas.	Tukša eļļas tvertne.	Piepildiet eļļas tvertni.
	Netīra eļļas vadrieva.	Notīriet rievu.
	Nepareizi noregulēta eļļas sūkņa regulēšanas skrūve.	Noregulējiet eļļas sūkņa padeves ātrumu.
Ķēde neapstājas pat tad, ja ieslēgta ķēdes bremze.	Nodilusi bremzes lente.	Nekavējoties pārtrauciet darbarīka lietošanu un sazinieties ar vietējo pilnvaroto servisa centru.
Darbarīks pārmērīgi vibrē.	Vajļģa virzošā sliede vai zāģa ķēde.	Noregulējiet virzošo sliedi un zāģa ķēdes spriegumu.
	Darbarīka nepareiza darbība.	Nekavējoties pārtrauciet darbarīka lietošanu un sazinieties ar vietējo pilnvaroto servisa centru.

014314

PAPILDU PIEDERUMI

⚠️UZMANĪBU:

- Šādi piederumi un rīki tiek ieteikti lietošanai ar šajā pamācībā aprakstīto Makita instrumentu. Jebkādu citu piederumu un rīku izmantošana var radīt traumu briesmas. Piederumu vai rīku izmantojiet tikai tā paredzētajam mērķim.

Ja jums vajadzīga palīdzība vai precīzāka informācija par šiem piederumiem, vērsieties savā tuvākajā Makita apkopes centrā.

- Zāģa ķēde
- Virzošās sliedes vāks
- Virzošā sliede
- Zāģa ķēdes eļļa

PIEZĪME:

- Daži sarakstā norādītie izstrādājumi var būt iekļauti instrumenta komplektācijā kā standarta piederumi. Tie dažādās valstīs var būt atšķirīgi.

LIETUVIŲ KALBA (Originali naudojimo instrukcija)

Bendrasis aprašymas

2-1. Svirtelė	12-1. Laido kablys	19-1. Priekinė rankų apsauga
2-2. Žvaigždutės gaubtas	12-2. Įrankio laidas	19-2. Atlaisvinti
3-1. Reguliavimo varžtas	12-3. Ilginimo laidas	19-3. Užfiksuoti
4-1. Reguliavimo ratukas	12-4. Kištukas ir lizdas (forma įvairiose šalyse gali skirtis)	20-1. Alyvos lygio vaizdas
5-1. Žvaigždutė	13-1. Atlaisvinimo mygtukas	22-1. Dantuota atrama
6-1. Pjovimo juosta	13-2. Jungiklio spraktukas	26-1. Kirtavietė
6-2. Skylė	15-1. Alyvos filtro dangtelis	29-1. Griuvimo kryptis
7-1. Kablys	15-2. Dirželis	29-2. Pavojaus zona
7-2. Skylė	16-1. Atleisti	29-3. Pabėgimo maršrutas
7-3. Kaištis	16-2. Priveržkite	31-1. Pjovimo ilgis
9-1. Svirtelė	16-3. Grandinės reguliavimo varžtas	31-2. Atstumas tarp pjovimo krašto ir gylio matuoklio
9-2. Žvaigždutės gaubtas	16-4. Pjovimo juosta	31-3. Mažiausiai 3 mm
10-1. Atleisti	16-5. Pjūklo grandinė	32-1. Šoninės plokštės kampas
10-2. Priveržkite	17-1. Atleisti	37-1. Juostos alyvos griovelis
10-3. Grandinės reguliavimo varžtas	17-2. Priveržkite	37-2. Alyvos padavimo anga
10-4. Pjovimo juosta	17-3. Reguliavimo ratukas	38-1. Žvaigždutė
10-5. Pjūklo grandinė	17-4. Pjovimo juosta	39-1. Ribos žymė
11-1. Atleisti	17-5. Pjūklo grandinė	40-1. Šepetėlio laikiklio dangtelis
11-2. Priveržkite	18-1. Priekinė rankų apsauga	40-2. Atskutuvas
11-3. Reguliavimo ratukas	18-2. Užfiksuoti	
11-4. Pjovimo juosta	18-3. Atlaisvinti	
11-5. Pjūklo grandinė		

SPECIFIKACIJOS

Modelis		UC3050A	UC3051A	UC3550A	UC3550AP	UC3551A	UC4050A	UC4051A	UC4550A	UC4551A
Maks. grandinės sukimosi greitis		14,5 m/s (870 m/min)								
Standartinė pjovimo juosta	Juostos ilgis	300 mm		350 mm		400 mm		450 mm		
	Pjovimo ilgis	260 mm		320 mm		355 mm		415 mm		
	Kreipiamosios pjovimo juostos tipas	Varančioji žvaigždutė								
Standartinė pjūklo grandinė	Tipas	91PX								
	Žingsnis	3/8"								
	Pavaros jungčių skaičius	46		52		56		62		
Rekomenduojamas pjovimo juostos ilgis		300 - 450 mm								
Bendras ilgis (be pjovimo juostos)		505 mm								
Neto svoris		5,4 kg	5,5 kg	5,5 kg	5,6 kg	5,5 kg	5,6 kg		5,7 kg	
Ilginimo laidas (pasirenkamas priedas)		DIN 57282/HO 7RN -F L=30 m maks.,3x1,5 mm ²								

- Atliekame nepertraukiamus tyrimus ir nuolat tobuliname savo gaminius, todėl čia pateikiamos specifikacijos gali būti keičiamos be įspėjimo.
- Įvairiose šalyse specifikacijos gali skirtis.
- Svoris pagal Europos elektrinių įrankių asociacijos nustatytą metodiką „EPTA -Procedure 01/2003“

END218-7

Simbolis

Žemiau yra nurodyti įrangai naudojami simboliai. Prieš naudodami įsitikinkite, kad suprantate jų reikšmę.



- Perskaitykite naudojimo instrukciją ir vadovaukitės įspėjimais bei nurodymais dėl saugos.



- Dėvėkite apsauginius akinius.



- Dėvėkite ausų apsaugas.
















- DVIGUBA IZOLIACIJA



- Dėmesio: reikia ypatingo atsargumo ir atidumo!



- Dėmesio: jei maitinimo kabelis pažeidžiamas, nedelsiant ištraukite kabelio kištuką!

-  · Dėmesio: atatranka!
-  · Saugokite nuo lietaus ir drėgmės!
-  · Naudokite šalimą, apsauginius akinius ir klausos apsaugines priemones!
-  · Mūvėkite apsaugines pirštines!
-  · Ištraukite maitinimo kabelio kištuką!
-  · Pirmoji pagalba
-  · Maksimalus leidžiamas pjūvio ilgis
-  · Grandinės eigos kryptis
-  · Grandinės alyva
-  · Grandinės stabdys atleistas
-  · Grandinės stabdys įjungtas
-  · Draudžiama!
-  · Tiktai ES valstybėms
Neišmeskite elektros įrangos į buitinius šiukšlynus!

Pagal ES direktyvą dėl naudotos elektros ir elektroninės įrangos ir jos įdiegimo pagal nacionalinius įstatymus, naudotą elektros įrangą būtina surinkti atskirai ir nugabenti antrinių žaliavų perdirimui aplinkai nekenksmingu būdu.

ENE085-1

Paskirtis

Šis įrankis skirtas medienai ir rąstams pjauti.

ENF002-2

Maitinimo šaltinis

Šį įrankį reikia jungti tik prie tokio maitinimo šaltinio, kurio įtampa atitinka nurodytąją įrankio duomenų plokštelėje; galima naudoti tik vienfazį kintamosios srovės maitinimo šaltinį. Jie yra dvigubai izoliuoti, todėl gali būti naudojami prijungus prie elektros lizdų be atžeminimo laido.

ENG905-1

Triukšmas

Tipiškas A svertinis triukšmo lygis nustatytas pagal EN60745:

- Garso slėgio lygis (L_{pA}): 90,8 dB (A)
- Garso galios lygis (L_{WA}): 101,8 dB (A)
- Paklaida (K): 2,5 dB (A)

Dėvėkite ausų apsaugas

Vibracija

Vibracijos bendroji vertė (trijų ašų vektorinė suma) nustatyta pagal EN60745:

- Darbinis režimas: medžio pjovimas
- Vibracijos emisija (a_{hv}): 5,2 m/s²
- Paklaida (K): 1,5 m/s²

ENG901-1

- Paskelbtasis vibracijos emisijos dydis nustatytas pagal standartinį testavimo metodą ir jį galima naudoti vienam įrankiui palyginti su kitu.
- Paskelbtasis vibracijos emisijos dydis taip pat gali būti naudojamas preliminariai įvertinti vibracijos poveikį.

⚠️ISPĖJIMAS:

- Faktiškai naudojant elektrinį įrankį, keliamos vibracijos dydis gali skirtis nuo paskelbtojo dydžio, priklausomai nuo būdų, kuriais yra naudojamas šis įrankis.
- Siekiant apsaugoti operatorių, būtina įvertinkite saugos priemones, remdamiesi vibracijos poveikio įvertinimu esant faktinėms naudojimo sąlygoms (atsižvelgdami į visas darbo ciklo dalis, pavyzdžiui, ne tik kiek laiko įrankis veikia, bet ir kiek kartų jis yra išjungiamas bei kai jis veikia be apkrovų).

ENH021-8

Tik Europos šalims

ES atitikties deklaracija

Bendrovė „Makita“ atsakingai pareiškia, kad šis įrenginys (-iai):

Mechanizmo paskirtis:

Grandininis pjūklas

Modelio Nr./ tipas: UC3050A, UC3550A, UC4050A, UC4550A, UC3051A, UC3551A, UC3550AP, UC4051A, UC4551A

Techninės sąlygos: žr. Lentelę „SPECIFIKACIJOS“.

Atitinka šias Europos direktyvas:

2000/14/EB, 2006/42/EB

Yra pagaminti pagal šį standartą arba normatyvinius dokumentus:

EN60745

Techninį dokumentą pagal 2006/42/EB galima gauti iš:

Makita, Jan-Baptist Vinkstraat 2, 3070, Belgium (Belgija)

Atitikties įvertinimo procedūra, būtina pagal Tarybos Direktyvą 2000/14/EB, atlikta atsižvelgiant į V priedą Nustatytasis garso galios lygis: 101,9 dB (A)
Garantuotasis garso galios lygis: 103 dB (A)



000331

Yasushi Fukaya
Direktorius

Makita, Jan-Baptist Vinkstraat 2, 3070, Belgium
(Belgija)

GEA010-1

Bendrieji perspėjimai darbui su elektriniais įrankiais

⚠ **ĮSPĖJIMAS** Perskaitykite visus saugos įspėjimus ir instrukcijas. Nesilaikydami žemiau pateiktų įspėjimų ir instrukcijų galite patirti elektros smūgį, gaisrą ir/arba sunkų sužeidimą.

Išsaugokite visus įspėjimus ir instrukcijas, kad galėtumėte jas peržiūrėti ateityje.

GEB037-8

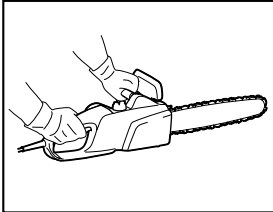
Įspėjimai dėl grandininio pjūklo saugos

1. Kai veikia grandininis pjūklas, visos kūno dalys turi būti kuo toliau nuo pjūklo grandinės. Prieš pradėdami dirbti su grandininio pjūklu, įsitinkinkite, kad pjūklo grandinė nieko neliečia. Dėl nedėmesingumo momento darbo su grandininiais pjūklais metu grandininis pjūklas gali įtraukti drabužius ar sužeisti.
2. Grandininio pjūklo galinę rankeną visada laikykite dešine ranka, o priekinę rankeną – kaire. Susižeidimo rizika didėja grandininį pjūklą laikant priešingai nei buvo minėta – to geriau niekada nedaryti.
3. Elektrinį įrankį laikykite tik už izoliuotos rankenos, nes grandininis pjūklas gali užkliudyti nematomus laidus arba savo paties laidą. Grandininiam pjūklui užkliudžius „gyvą“ laidą, įtampa gali būti perduota neizoliuotoms metalinėms elektrinio įrankio dalims ir operatorius gali gauti elektros smūgį.
4. Naudokite apsauginius akinius ir klausos apsaugines priemones. Taip pat rekomenduojamos galvos, rankų, kojų ir pėdų apsauginės priemonės. Atitinkami apsauginiai drabužiai sumažins susižeidimo dėl skriejančių atliekų ar atsitiktinio sąlyčio su grandininio pjūklu tikimybę.
5. Nenaudokite grandininio pjūklo įlipę į medį. Grandininio pjūklo naudojimas operatoriui esant medyje kelia susižeidimo riziką.
6. Visada tvirtai remkitės kojomis ir grandininį pjūklą naudokite tik stovėdami ant tvirtos,

saugaus ir lygaus paviršiaus. Stovėdami ant slidaus ir nestabiliaus paviršiaus, pavyzdžiui, kopėčių, galite prarasti pusiausvyrą ir nesuvaldyti grandininio pjūklo.

7. **Pjaudami jėgos veikiamą šaką, saugokitės, kad ji neatšoktų.** Kai medžio plaušai atpalaiduojami, jėgos veikiamą šaką gali kliudyti operatorių ir / arba sutrikdyti grandininio pjūklo veikimą.
8. **Būkite ypač atsargūs pjaudami krūmus ir sodinukus.** Grandininis pjūklas gali kliudyti plonas medžio daleles ir suplakti jas į jūsų pusę arba dėl to galite prarasti pusiausvyrą.
9. **Išjungtą ir nuo savęs nusuktą grandininį pjūklą neškite laikydami už priekinės rankenos. Transportuodami ar sandėliuodami grandininį pjūklą visada uždėkite pjovimo juostos dangtį.** Tinkama grandininio pjūklo priežiūra sumažins atsitiktinio sąlyčio su judančia pjūklo grandine tikimybę.
10. **Vadovaukitės tepimo, grandinės įtempimo ir papildomų įtaisų keitimo instrukcija.** Netinkamai įtempta ar sutepta grandinė gali trūkti ar padidinti atatrankos tikimybę.
11. **Rankenos turi būti švarios, sausos ir neišteptos tepalu.** Riebaluotos ir tepaluotos rankenos yra slidžios, todėl galite nesuvaldyti įrankio.
12. **Skirta tik medienai pjauti. Nenaudokite grandininio pjūklo ne pagal paskirtį. Pavyzdžiui: nenaudokite grandininio pjūklo plastikui, mūriui ar statybinėms medžiagoms, išskyrus medieną, pjauti.** Jei grandininis pjūklas naudojamas atlikti darbams, kuriems jis nėra skirtas, gali susidaryti pavojinga situacija.
13. **Atatrankos priežastys ir profilaktiniai operatoriaus veiksmai;**
Atatranka gal įvykti tada, kai pjovimo juostos antgalis ar galiukas liečia daiktą arba kai grandininis pjūklas priartėja prie medžio ir įstringa įpjovoje.
Kai kuriais atvejais galiuko prisilietimas prie objekto gali būti staigios priešingos reakcijos priežastis, kai pjovimo juosta trukteli į viršų link operatoriaus.
Spaudžiant grandininį pjūklą viršutinėje pjovimo juostos dalyje, pjovimo juosta gali greitai pasisukti link operatoriaus.
Dėl bet kurios iš šių priežasčių galite nesuvaldyti pjūklo ir rimtai susižeisti. Nespasitikėkite vien tik pjūkle sumontuotais apsauginiais įtaisais. Grandininio pjūklo vartotojai turėtų atlikti keletą veiksmų, siekdami išvengti nelaimingų atsitikimų ir susižeidimų vykdant pjovimo darbus.
Atatranka yra piknaudžiavimo įrankiu ir (arba) netinkamų darbo procedūrų ar sąlygų rezultatas, jos galima išvengti vadovaujantis toliau nurodytomis atsargumo priemonėmis:

- **Laikykite tvirtai, nykščiu bei pirštais suėmę grandininio pjūklo rankenas ir uždėję ant pjūklo abi rankas; kūnas ir ranka turi būti tokios pozicijos, kad galėtumėte atlaikyti atatranks jėgas.** Operatorius gali kontroliuoti atatranks jėgas, jei imasi reikiamų atsargumo priemonių. Nepaleiskite grandininio pjūklo.



014316

- **Nepersitempkite ir nepjunkite didesniam nei pečių aukštyje.** Tai padeda išvengti netyčinio pjūklo galo kontakto ir leidžia geriau valdyti grandininį pjūklą netikėtose situacijose.
- **Naudokite tik gamintojo nurodytas keičiamąsias juostas ir grandines.** Netinkamos keičiamosios juostos ir grandinės gali sukelti grandinės nutrūkimą ir (arba) atatranką.
- **Laikykites gamintojo nurodytų grandininio pjūklo galandimo ir priežiūros instrukcijų.** Dėl sumažinto gylio matuoklio aukščio, gali padidėti atatranka.

PAPILDOMOS SAUGOS TAISYKLĖS

1. Perskaitykite instrukciją ir susipažinkite su grandininio pjūklo veikimu.
2. Pirmą kartą naudodami grandininį pjūklą, pasirūpinkite, kad jus išmokytų juo naudotis. Jei tai neįmanoma, prieš dirbdami bent pasitreniruokite pjauti apvalią siją ant „ožio“.
3. Grandininio pjūklo naudoti neleidžiama vaikams ir asmenims, jaunesniems nei 18 metų. Jauniems asmenims (bet vyresniems nei 16) gali būti taikoma išimtis, jei jie yra mokomi dirbti pjūklų, prižiūrint specialistui.
4. Dirbant grandininio pjūklų, reikia labai susikaupti. Nedirbkite pjūklų, jei nesijaučiate gerai. Visus darbus reikia atlikti ramiai ir atidžiai.
5. Jokiu būdu nedirbkite, apsvaigę nuo alkoholio, narkotinių medžiagų ar vaistų.

Tinkamas naudojimas

1. Šis grandininis pjūklas skirtas tik medžiui pjauti. Nenaudokite jo pjauti, pvz., plastmasei ar poringajam betonui.

2. Grandininį pjūklą naudokite tik šioje instrukcijoje aprašytiems darbams. Pvz., **negalima** jo naudoti gyvatvorei karpyti ar kitiems panašioms darbams.
3. Grandininio pjūklo negalima naudoti miško darbams, t. y., kirsti ir kapoti augančius medžius. Grandininio pjūklo kabelis nesuteikia operatoriui pakankamai mobilumo ir saugumo, būtinų tokiems darbams.
4. Šis grandininis pjūklas neskirtas komerciniam naudojimui.
5. Neperkraukite grandininio pjūklo.

Asmeninės apsaugos priemonės

1. Rūbai turi būti priglundę, bet nevaržantys judesių.
2. Dirbdami naudokite tokias apsaugos priemones:
 - Patvirtintas saugos šalmas, jei pavojų kelia krintančios šakos ar pan.;
 - Veido kaukė arba apsauginiai akiniai;
 - Tinkama klausos apsauga (ausinės, įprastiniai ar modeliuojami ausų kištukai). Pageidaujant - oktavinė triukšmo analizė.
 - Apsauginės pirštinės iš tvirtos odos;
 - Ilgos kelnės, pasiūtos iš tvirtos medžiagos;
 - Apsauginis kombinezonas iš pjovimui atsparios medžiagos;
 - Apsauginiai batai su neslystančiais padais, plieniniais galais ir pjovimui atsparaus audinio apdaila;
 - Respiratorius, jei dirbant kyla daug dulkių (pvz., pjaunant sausą medį).

Apsauga nuo elektros smūgio



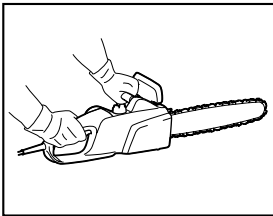
- Grandininio pjūklo negalima naudoti drėgnu oru arba šlapioje aplinkoje, nes elektrinis variklis nėra atsparus vandeniui.
1. Pjūklą junkite tik į lizdus patikrintuose elektros kontūruose. Patikrinkite, ar sistemos įtampa atitinka nurodytąją gaminio skydelyje. Užtikrinkite, kad būtų naudojamas 16 A saugiklis. Lauke naudojamus pjūklus reikia prijungti prie liekamosios srovės valdomo grandinės pertraukiklio, kurio darbinė srovė ne didesnė kaip 30 mA.
 - Jei pažeidžiamas jungiamasis kabelis, tučtuojau ištraukite kištuką iš maitinimo lizdo.

Saugaus darbo praktika

1. Prieš pradėdami dirbti patikrinkite, ar grandininis pjūklas yra tinkamas darbui, ir ar jis atitinka saugos reikalavimus. Ypač patikrinkite, ar:
 - Tinkamai veikia grandinės stabdys;
 - Tinkamai veikia sustojimo stabdys;
 - Tinkamai uždėti strypas ir grandininio rato dangtelis;
 - Grandinė buvo pagalašta ir įtempta pagal taisykles;
 - Maitinimo kabelis ir maitinimo kabelio kištukas nepažeisti;

Žr. skyrių „PATIKRINIMAI“.

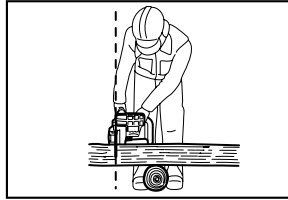
2. Būtinai patikrinkite, ar naudojamas ilginimo kabelis yra pakankamo skerspjūvio (žr. „SPECIFIKACIJOS“). Jei naudojate kabelio ritę, visiškai išvyniokite kabelį iš ritės. Jei dirbate pjūklų atvirame ore, užtikrinkite, kad naudojamas kabelis būtų skirtas naudojimui atvirame ore ir būtų atitinkamos kokybės.
3. Laidas turi būti toliau nuo pjovimo vietos; laidą išvedžiokite taip, kad pjaunant jis neįstrigtų tarp šakų ir pan.
4. Nenaudokite grandininio pjūklo arti degių dulkių ar dujų, nes iš variklio gali kibirkščiuoti, ir susidaryti **sprogimo pavojus**.
5. Dirbkite tik ant tvirtos žemės ir gerai atsirėmę kojomis. Ypačingą dėmesį skirkite kliūtims, esančioms darbo zonoje (pvz., kabeliui). Būkite ypač atsargūs, nes dėl drėgmės, ledo, sniego, ką tik nupjauto medžio ar žievės paviršiai gali būti slidūs. Dirbdami pjūklų, nestovėkite ant kopėčių ar įlipę į medį.
6. Būkite ypač budrūs, kai dirbate šlaite; riedantys rąstai ir šakos gali kelti pavojų.
7. Niekada nepjaukite aukščiau nei jūsų petys.
8. **Grandininį pjūklą laikykite abiem rankomis, kai jį įjungiate ir naudojate.** Galinę rankeną laikykite dešine ranka, o priekinę rankeną - kaire. Rankenas tvirtai suimkite nykščiais. Įjungiant pjūklą, strypas ir grandinė turi neliesti jokių daiktų.



014316

9. Iš ploto, kur pjausite, pašalinkite visus pašalininius daiktus, pvz., smėlį, akmenis, vinius, laidus ir pan. Pašaliniai daiktai kenkia strypui ir grandinei, jie gali sukelti pavojingą atatranką.
10. Būkite ypač atsargūs, kai pjaunate arti vielinių tvorų. Pjaudami nepalieskite tvoros, nes pjūklas gali atšokti.
11. Nepjaukite iki pat žemės.
12. Medžius pjaukite atskirai, o ne pluoštais ar ryšuliais.
13. Nenaudokite pjūklo pjauti plonomis šakoms ir šaknims, nes jos gali įsipainioti grandininiam pjūkle. Pavojinga prarasti pusiausvyrą.
14. Pjaudami nupjautus rąstus, naudokite tvirtą atramą (ožį).
15. Nenaudokite grandininio pjūklo, norėdami nustumti į šalį medienos gabalus ir kitus daiktus.

16. Grandininį pjūklą laikykite taip, kad jokia kūno dalis nepatektų į prastą pjūklo grandinės kelią (žr. pav.).

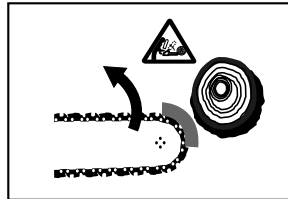


006909

17. Pernešdami įrankį tarp pjovimo darbų, įjunkite grandinės stabdį, kad grandinė netyčia nepradėtų veikti. Nešdami grandininį pjūklą, laikykite jį už priekinės rankenos ir patraukite pirštą nuo jungiklio.
18. Darydami pertraukas arba palikdami pjūklą be priežiūros, ištraukite kištuką iš maitinimo tinklo. Grandininį pjūklą palikite tokioje vietoje, kurioje jis nekels pavojaus.

Atatranka

1. Dirbant grandininiumi pjūklų, galima pavojinga atatranka. Atatranka atsiranda, kai strypo galas (ypač viršutinis jo ketvirtis) paliečia medį ar kitą kietą daiktą. Dėl to grandininis pjūklas pakrypsta operatoriaus link.



006919

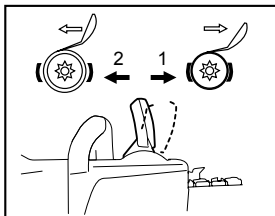
2. Siekdami išvengti atatrankos, vadovaukitės šiomis taisyklėmis:
 - Niekada nepradėkite pjauti strypo galiuku.
 - Niekada nenaudokite strypo galiuko pjovimui. Būkite ypač atsargūs, pradėdami pjauti jau pradėtas įpjovas.
 - Pradėkite pjauti, grandinei sukantis.
 - Visada tinkamai pagaląskite grandinę. Ypač svarbu tinkamai nustatyti gylio matuoklio aukštį.
 - Nepjaukite kelių šakų iš karto.
 - Apkapodami medžius saugokitės, kad strypas nepaliestų kitų šakų.
 - Pjaudami medžius rąstams, saugokitės greitimi rąstų. Visada stebėkite strypo galiuką.
 - Naudokite ožį.

Saugos funkcijos

1. Prieš pradėdami dirbti, visada patikrinkite, ar tinkamai veikia visos apsaugos funkcijos. Nenaudokite grandininio pjūklo, jeigu apsaugos funkcijos tinkamai neveikia.

- Grandinės stabdys:

Grandininiam pjūkle yra grandinės stabdys, kuris sustabdo pjūklą grandinę per sekundės dalį. Jis įsijungia, kai rankos apsauga pastumiami į priekį. Tada pjūklą grandinė sustoja per 0,15 sekundės, o variklio maitinimas nutraukiamas.



014317

1. Nuspaustas grandinės stabdiklis
2. Atleistas grandinės stabdiklis

- Sustojimo stabdys:

Grandininiam pjūkle yra sustojimo stabdys, kuris nedelsiant sustabdo pjūklą grandinę, kai atleidžiamas įjungimo/išjungimo jungiklis. Tai neleidžia pjūklą grandinei toliau sukstis, išjungus pjūklą, ir taip padeda išvengti pavojaus.

- **Priekinė ir galinė rankų apsaugos** saugo naudotoją nuo sužeidimų, kuriuos gali sukelti išmetami medžio gabalai arba nutrūkusi pjūklą grandinė.
- **Gaiduko fiksatorius** neleidžia įjungti grandininio pjūklą netyčia.
- **Grandinės gaudyklė** saugo naudotoją nuo sužeidimų, kuriuos gali sukelti iššokusi arba nutrūkusi grandinė.

Transportavimas ir laikymas



Kai grandininio pjūklą nenaudojate arba jį gabenate, atjunkite maitinimo kištuką nuo elektros tinklo ir uždėkite su pjūklą pateiktą pjovimo juostos gaubtą. Jokių būdu nenešiokite ir netransportuokite pjūklą su veikiančia pjūklą grandine.

1. Grandininį pjūklą nešiokite tik už priekinės rankenos, strypą nukreipę atgal.
2. Grandininį pjūklą laikykite saugioje, sausoje ir užrakinamoje patalpoje, vaikams nepasiekiamoje vietoje. Nelaikykite grandininio pjūklą lauke.

TECHNINĖ PRIEŽIŪRA

1. Prieš atlikdami bet kokius reguliavimo ar techninės priežiūros darbus, ištraukite kištuką iš lizdo.
2. Reguliariai tikrinkite, ar nepažeista maitinimo kabelio izoliacija.
3. Reguliariai valykite grandininį pjūklą.
4. Nedelsiant ir tinkamai pašalinkite bet kokius plastikinius korpusus padarytus gedimus.
5. Nenaudokite pjūklą, jei įjungimo gaidukas neveikia tinkamai. Pasirūpinkite, kad jis būtų suremontuotas.

6. Jokiomis aplinkybėmis negalima keisti grandininio pjūklą. Tai kelia pavojų jūsų saugumui.
7. Galite atlikti tik šioje instrukcijoje aprašytus techninės priežiūros ar remonto darbus. Visi kiti darbai privalo būti atlikti įgaliotuose techninės priežiūros centruose.
8. Naudokite tik originalias atsargines dalis, skirtas jūsų turimo pjūklą modeliui. Naudojant kitokias dalis, didėja nelaimingo atsitikimo pavojus.
9. Mes neprisiimame atsakomybės už nelaimingus atsitikimus ar žalą, patirtą dėl nepatvirtintų strypų, pjūklą grandinių ar kitų atsarginių dalių arba priedų naudojimas.

Pirmoji pagalba



Nedirbkite vieni. Kitas asmuo visada turi būti tokiu atstumu, kad galėtumėte pakviesti jį į pagalbą.

1. Šalia visada turėkite pirmosios pagalbos reikmenų komplektą. Panaudotą jame esantį daiktą, nedelsdami pakeiskite jį nauju.
2. Jei jums prireiktų pagalbos nelaimingo atsitikimo atveju, nurodykite:
 - Kur įvyko nelaimingas atsitikimas?
 - Kas įvyko?
 - Kiek žmonių sužeista?
 - Kokie jų sužalojimai?
 - Kas praneša apie nelaimingą atsitikimą?

PASTABA:

Per didelę vibraciją patiriantys asmenys, kurių prasta kraujo apytaka, gali susižeisti kraujagysles arba nervų sistemą.

Dėl vibracijos pirštuose, rankose ar riešuose gali atsirasti tokių simptomų: „Nutirpimas“, dilgčiojimas, skausmas, ūrimo pojūtis, odos spalvos ar odos pasikeitimas.

Pajutę bet kurį iš šių simptomų, kreipkitės į gydytoją!

SAUGOKITE ŠIAS INSTRUKCIJAS.

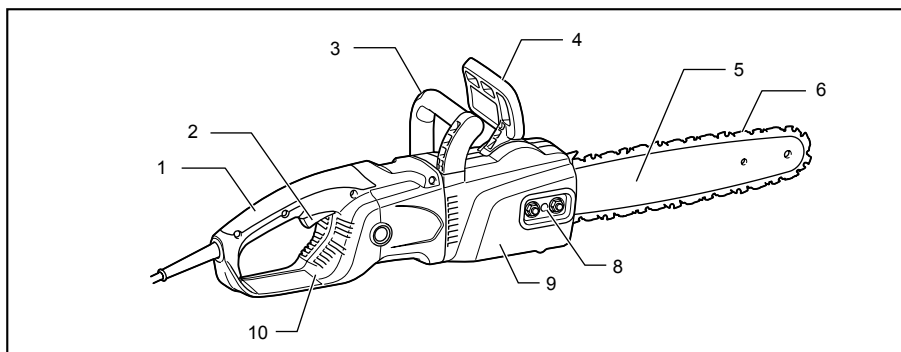
⚠️ISPĖJIMAS:

NELEISKITE, kad patogumas ir gaminio pažinimas (įgyjamas pakartotinai naudojant) susilpnintų griežtą saugos taisyklių, taikytinų šiam gaminiui, laikymąsi. Dėl NETINKAMO NAUDOJIMO arba saugos taisyklių nesilaikymo, kurios pateiktos šioje instrukcijoje galima rimtai susižeisti.

DALIŲ SĄRAŠAS

(Veržlinis modelis: žvaigždutės gaubtas priveržtas veržlėmis.)

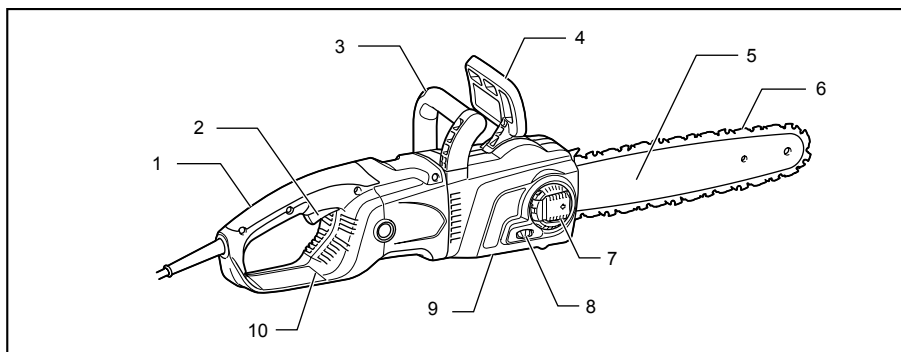
Modeliui UC3050A, UC3550A, UC3550AP, UC4050A, UC4550A



014372

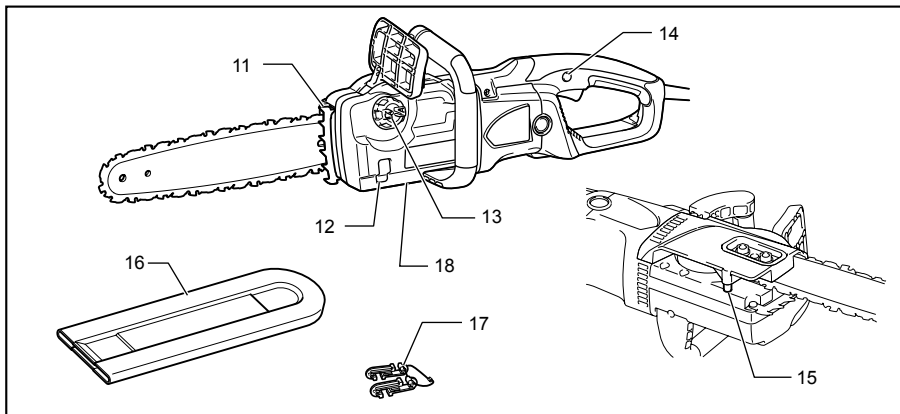
(Svirtinis modelis: žvaigždutės gaubtas priveržtas svirtimi.)

Modeliui UC3051A, UC3551A, UC4051A, UC4551A



014373

(Visiems modeliams)



014514

1	Galinė rankena	7	Svirtelė	13	Alyvos filtro dangtelis
2	Jungiklio spraktukas	8	Reguliuavimo varžtas/ratukas	14	Atlaisvinimo mygtukas
3	Priekinė rankena	9	Žvaigždutės gaubtas	15	Grandinės gaudytuvas
4	Priekinė rankų apsauga	10	Galinė rankų apsauga	16	Pjovimo juostos gaubtas
5	Pjovimo juosta	11	Dantuota atrama	17	Laido kablys
6	Pjūklų grandinė	12	Alyvos lygio vaizdas	18	Alyvos siurblio reguliuavimo varžtas (apačioje)

014375

SURINKIMAS

⚠ DĖMESIO:

- Prieš taisydami įrenginį visada patikrinkite, ar jis išjungtas, o laido kištukas - ištrauktas iš elektros lizdo.

Žvaigždutės gaubto nuėmimas arba uždėjimas

Norėdami nuimti žvaigždutės gaubtą, atlikite šiuos veiksmus:

(Veržliniams modeliams)

Pav.1

Atsukite veržlę.

(Svirtiniams modeliams)

Pav.2

Nuspauskite ir iki galo atverkite svirtelę, kol ji nebejudės. Sukite svirtį prieš laikrodžio rodyklę.

Norėdami uždėti žvaigždutės gaubtą, atlikite pirmiau aprašytus veiksmus atvirkščia eilės tvarka.

Pjūklų grandinės montavimas arba nuėmimas

⚠ DĖMESIO:

- Montuodami arba nuimdami pjūklų grandinę, visada dėvėkite pirštines.

Norėdami nuimti pjūklų grandinę, atlikite šiuos veiksmus:

- Atlaisvinkite žvaigždutės gaubtą.
- (Veržliniams modeliams) Sukite grandinės reguliuavimo varžtą prieš laikrodžio rodyklę, kad sumažintumėte pjūklų grandinės įtempimą. (Svirtiniams modeliams) Sukite reguliuavimo ratuką krypties „-“ link, kad sumažintumėte pjūklų grandinės įtempimą.

Pav.3

Pav.4

- Nuimkite žvaigždutės dangtelį.
- Nuimkite nuo grandininio pjūklų jo grandinę ir kreipiamąją juostą.

Norėdami sumontuoti pjūklų grandinę, atlikite šiuos veiksmus:

- Nustatykite grandinės sukimosi kryptį. Ant grandinės pažymėta rodyklė rodo grandinės sukimosi kryptį.

Pav.5

6. Vieną pjūklo grandinės galą dėkite ant pjovimo juostos viršaus, o kitą jos galą apskukite aplink žvaigždutę.
7. Dėkite pjovimo juosta ant grandininio pjūklo.
8. Sutapdinkite įtempimo šliaužikį su pjovimo juostos anga.

Pav.6

9. Laikydami pjovimo juosta, sukite grandinės reguliavimo varžtą / ratuką, kad pareguliuotumėte pjūklo grandinės įtempimą.
10. Uždėkite žvaigždutes gaubtą taip, kad kabliukai būtų užkabinti už angų, o kaiščiai būtų įkišti į atitinkamas gaubte padarytas angas.

Pav.7

11. Priveržkite žvaigždutes gaubtą.

Pav.8

Pav.9

Pjūklo grandinės įtempimo reguliavimas

Pjūklo grandinė atsilaisvina tik po daugelio darbo valandų. Prieš naudojimą retkarčiai patikrinkite pjūklo grandinės įtempimą.

1. Šiek tiek atlaisvinkite žvaigždutes gaubtą.
2. Šiek tiek pakelkite pjovimo juostos galiuką.
3. Sukite reguliavimo varžtą/ratuką, kad sureguliuotumėte pjūklo grandinės įtempimą.

Pav.10

Pav.11

4. Veržkite pjūklo grandinę tol, kol apatinė pjūklo grandinės pusė įsitaisys pjovimo juostos griovelyje (žr. aprašymą).
5. Sureguliuavę grandinės įtempimą, prilaikydami pjovimo juosta, priveržkite žvaigždutes gaubtą. Įsitikinkite, ar neatsilaisvino apatinė pjūklo grandinės pusė.

Įsitikinkite, ar pjūklo grandinė tvirtai priglundusi prie juostos apatinės pusės.

⚠DĖMESIO:

- Neperveržkite pjūklo grandinės per daug. Dėl per didelės pjovimo grandinės įtempimo, ji gali nutrūkti, gali nusidėvėti kreipiamoji juosta arba sulūžti reguliavimo ratukas.
- Per daug atlaisvinta grandinė gali nukristi nuo pjovimo juostos ir todėl kelia nelaimingo atsitikimo pavojų.
- Pjūklo grandinės montavimo arba nuėmimo procedūrą reikia atlikti švarioje vietoje, kur nėra pjuvenų ir panašiai.

Ilginimo laido prijungimas

⚠DĖMESIO:

- Įsitikinkite, kad ilgino laidas yra ištrauktas iš maitinimo lizdo.

Pav.12

Prijungdami ilgino laidą, laido kabliu pritvirtinkite jį prie grandininio pjūklo laido. Prikabinkite laido kabliį maždaug 100 - 200 mm atstumu nuo ilgino laido jungties. Tuomet laidas nebus netyčia atjungtas.

NAUDOJIMAS

⚠DĖMESIO:

- Naudodami įrankį, tvirtai laikykite jį dešine ranka už galinės rankenos, o kaire ranka – už priekinės rankenos.

Jungiklio veikimas

Pav.13

⚠DĖMESIO:

- Prieš tikrindami gaiduko veikimą, visada patikrinkite, ar įrankis yra išjungtas.
- Prieš jungdami įrenginį visada patikrinkite, ar jungiklis gerai įsijungia, o atleistas grįžta į padėtį OFF (išjungta).

Kad gaidukas nebūtų atsitiktinai nuspaustas, yra atlaisvinimo svirtelė.

Jei norite įjungti įrankį, nuspauskite atlaisvinimo mygtuką ir paspauskite svirtinį gaiduką. Norėdami išjungti, atleiskite gaiduką.

Tepimas

⚠DĖMESIO:

- Prieš patepdami pjūklo grandinę tepalu, visada patikrinkite, ar įrankis išjungtas, o kištukas ištrauktas iš elektros lizdo.

Pav.14

Pjūklo grandinę ir kreipiamąją juosta tepkite biologiškai suyrančia alyva, kurioje yra sukibimo medžiagos. Pjūklo grandinės tepimui skirtoje alyvoje esanti sukibimo medžiaga apsaugo alyvą nuo per greito nutekėjimo. Negalima naudoti mineralinių alyvų, nes jos yra kenksmingos aplinkai.

⚠DĖMESIO:

- Stenkitės, kad alyvos nepakliūtų ant odos ir akių. Į akis pakliuvusi alyva jas suerzina. Jeigu alyvos pakliūtų į akis, nedelsiant praplaukite jas švariu vandeniu ir tuoj pat susisiekite su gydytoju.
- Niekada nenaudokite panaudotos alyvos. Panaudotoje alyvoje yra kancerogeninių medžiagų. Dėl panaudotoje alyvoje esančių teršalų greičiau susidėvi alyvos siurblys, pjovimo juosta ir grandinė. Panaudota alyva yra kenksminga aplinkai.
- Pirmą kartą pripylus alyvos į grandininį pjūklą arba pakartotinai pripildant ištuštintą alyvos bakelį, pripilkite alyvos iki pildymo angos apatinio krašto. Kitaip bus blogiau tiekama alyva.

Pav.15

Norėdami pripilti alyvos, atlikite šiuos veiksmus:

1. Nuvalykite sritį aplink alyvos pildymo dangtelį, kad į alyvos bakelį nepatektų jokio purvo.
2. Atsukite alyvos pildymo angos dangtelį ir pripilkite alyvos iki apatinio alyvos pildymo angos krašto.
3. Tvirtai užsukite alyvos pildymo angos dangtelį.
4. Kruopščiai nuvalykite išsiliejusią, grandinės tepimui skirtą alyvą.

PASTABA:

- Kai grandininis pjūklas naudojamas pirmą kartą, gali tekti palaukti maždaug dvi minutes, kol pjūklo mechanizmas bus pradėtas tepti alyva. Leiskite pjūklui veikti be apkrovos, kol bus pradėtas tepimas (žr. skyrių "PATIKRINIMAS").

PATIKRINIMAS

Prieš pradėdami darbą, atlikite tokius patikrinimo darbus:

Grandinės įtempimo patikrinimas

⚠️ IŠSPĖJIMAS:

- Prieš pradėdami tikrinti grandinės įtempimą, prieš tai visada išjunkite kištuką iš maitinimo tinklo; visada dėvėkite apsaugines pirštines.

(Vėžiiniams modeliams)

Pav.16

(Svirtiniams modeliams)

Pav.17

Įsitinkinkite, ar pjūklo grandinė tvirtai priglundusi prie juostos apatinės pusės (žr. apskritimą).

Dažnai tikrinkite grandinės įtempimą, nes nauja grandinė linkusi pailgėti.

Dėl per didelio pjūklo grandinės įtempimo, ji gali nutrūkti, gali nusidėvėti kreipiamoji juosta arba sulūžti reguliavimo ratukas.

Per daug atlaisvinta grandinė gali nukristi nuo pjovimo juostos ir todėl kelia nelaimingo atsitikimo pavojų.

Jeigu grandinė pernelyg laisva: perskaitykite skyrių „Pjūklo grandinės įtempimo reguliavimas“ ir iš naujo sureguliuokite pjūklo grandinę.

Patikrinkite jungiklio veikimą

⚠️ DĖMESIO:

Prieš jungdami įrenginį visada patikrinkite, ar jungiklis gerai įsijungia, o atleistas grįžta į padėtį OFF (išjungta). Kad gaidukas nebūtų atsitiktinai nuspaustas, yra atlaisvinimo svirtelė.

Jei norite įjungti įrankį, nuspauskite atlaisvinimo mygtuką ir paspauskite svirtinį gaiduką. Norėdami išjungti, atleiskite gaiduką.

Negalima stipriai spausti gaiduko, nenuspaudus atlaisvinimo mygtuko. Antraip gaidukas gali nulūžti.

Grandinės stabdžio patikrinimas

PASTABA:

- Jeigu grandininis pjūklas neįsijungia, patikrinkite, ar atleistas grandinės stabdys. Norėdami atleisti grandinės stabdį, stipriai traukite rankų apsaugos gaubtą atgal, kol jis užsifiksuos.

Pav.18

Pav.19

Patikrinkite grandinės stabdį, atlikdami šiuos veiksmus:

1. Įjungdami, laikykite grandininį pjūklą abejomis rankomis. Galinę rankeną laikykite dešine ranka, o priekinę - kairiąja ranka. Įsitinkinkite, ar juosta ir grandinė nieko neliečia.
2. Pirmiausia spauskite atlaisvinimo mygtuką, po to - svirtinį gaiduką. Grandininis pjūklas tuoj pat įsijungia.
3. Atbula ranka paspauskite priekinį rankų apsauginį gaubtą į priekį. Įsitinkinkite, ar pjūklo grandinė nedelsiant sustoja.

⚠️ DĖMESIO:

- Jeigu pjūklo grandinė tuoj pat nesustoja, jokiais būdais nenaudokite pjūklo. Kreipkitės į „Makita“ įgaliotąjį techninės priežiūros centrą.

Nusidėvėjusio stabdžio patikrinimas

Įjunkite grandininį pjūklą.

Visiškai atleiskite svirtinį gaiduką. Įsitinkinkite, ar grandininis pjūklas visiškai sustoja per vieną sekundę.

⚠️ DĖMESIO:

- Jeigu pjūklo grandinė tuoj pat nesustoja, jokiais būdais nenaudokite pjūklo. Kreipkitės į „Makita“ įgaliotąjį techninės priežiūros centrą.

Grandinės tepalinės patikrinimas

Prieš pradėdami darbą, patikrinkite alyvos lygį bakelyje ir alyvos tiekimą.

Alyvos lygį bakelyje pamatysite pro alyvos lygio tikrinimo langelį, pavaizduotą paveikslėlyje.

Pav.20

Alyvos tiekimą patikrinkite taip:

Užvesite grandininį pjūklą.

Pjūklui veikiant, laikykite pjūklo grandinę maždaug 15 cm nuo medžio kamieno arba žemės. Jeigu tepimas tinkamas, alyvos purkštukas paliks nežymų alyvos pėdsaką.

Atkreipkite dėmesį į vėjo kryptį, kad jūsų netyčia neapipurkštų alyva.

⚠️ DĖMESIO:

- Jeigu alyvos pėdsako nėra, nenaudokite pjūklo. Jeigu nesilaikysite šio nurodymo, sutrumpės grandinės tarnavimo laikas. Patikrinkite alyvos lygį. Išvalykite alyvos tiekimo griovelį ir pjovimo juostoje esančią alyvos padavimo angą (žr. "Techninė priežiūra").

Grandinės tepimo reguliavimas

Pav.21

Alyvos siurblio tiekimo normą galite reguliuoti reguliavimo varžtu.

GRANDININIO PJŪKLO NAUDOJIMAS

⚠DĖMESIO:

- Visada naudokite priekinę ir galinę rankenas ir dirbdami tvirtai laikykite įrankį abejomis rankomis už priekinės ir galinės rankenų.
- Visada įtvirtinkite rąstą, kurį pjausite, antraip nupjautos nuolaužos gali sunkiai sužeisti.

Medžių pjovimas rąstams

Pav.22

Pjaudami medį, norėdami padaryti pjūvius, į pjaunamą medį įremkite dantuotą atramą kaip parodyta paveikslėlyje.

Įjungę grandininį pjūklą, pjaukite medį, galinę rankeną naudodami pjūklui atkelti, o priekinę - jį valdyti. Vietoj atsparos taško naudokite dantuotą atramą.

Tęskite pjovimo darbus, truputį paspausdami priekinę rankeną, lengvai atitraukdami pjūklą atgal. Stumkite žemyn rąstu dantuotą atramą ir vėl pakelkite priekinę rankeną.

Atlikę keletą pjūvių, išjunkite grandininį pjūklą tarp pjūvių.

⚠DĖMESIO:

- Jeigu pjaunate viršutiniu pjovimo juostos kraštu, grandinei įstrigus, grandininį pjūklą gali atmesti į jus. Dėl šios priežasties, pjaukite apatiniu kraštu, kad įstrigimo atveju pjūklą atvestų šalin nuo jūsų kūno.

Pav.23

Pradžioje pjaukite medį, naudodami (A) pusės įtempimą. Po to atlikite paskutinį pjūvį, naudodami (B) pusės įtempimą. Tai neleidžia pjovimo juostai įstrigti.

Pav.24

Šakų genėjimas

⚠DĖMESIO:

- Šakas genėti gali tik apmokyti asmenys. Pavojų kelia atatrunkos rizika.

Genint šakas, jeigu įmanoma, atremkite grandininį pjūklą į kamieną. Nepjaukite pjovimo juostos galu, nes kyla atatrunkos pavojus.

Ypač būkite atsargūs, pjaudami įtemptas šakas. Nepjaukite neatremtų šakų iš apačios.

Genėdami šakas, nestovėkite ant nupjauto medžio kamieno.

Įpjovimai ir lygiagretūs pluoštui pjūviai

⚠DĖMESIO:

- Įpjovimus ir lygiagrečius pluoštui pjūvius gali atlikti tik specialiai apmokyti asmenys. Atatrunkos galimybė kelia pavojų susižeisti.

Pav.25

Lygiagrečius pluoštui pjūvius atlikite kaip įmanoma bukesniu kampu. Pjūvį atlikite kuo atsargiau, nes dantuotą atramą panaudoti negalima.

Meždių kirtimas

⚠DĖMESIO:

- Medžiūs kirsti gali tik apmokyti asmenys. Šis darbas yra pavojingas.

Norėdami nukirsti medį, vadovaukitės vietiniais reglamentais.

Pav.26

- Prieš pradėdami irtoimo darbus, patikrinkite, ar:
 - (1) Netoliese yra tik su kirtimo darbais susiję asmenys;
 - (2) Visi asmenys turi laisvą atsitraukimo kelią maždaug 45 ° kampu iš abiejų kirtimo ašies pusių. Atsižvelkite į papildomą pavojų užliūti už elektros laidų;
 - (3) Prie medžio kamieno pagrindo nėra jokių pašalinių daiktų, šaknų ir nelygumų;
 - (4) Nėra žmonių ar daiktų arčiau nei per 2,5 medžio ilgio medžio kritimo kryptimi.

- Kirsdami bet kurį medį, atsižvelkite į tokius dalykus:

- Pasvirimo kryptį;
- Nulūžusias arba sausas šakas;
- Medžio aukštį;
- Natūralią nuosvyrą;
- Ar medis sutrūnijęs, ar ne.

- Atkreipkite dėmesį į vėjo greitį ir kryptį. Nevykdykite kirtimo darbų, nei pučia stiprus vėjo gūšiai.

- Iškilusius šaknų genėjimas: Pradžioje nupjaukite storiausius auglius. Pirma padarykite vertikalus pjūvį, po to horizontalų pjūvį.

Pav.27

- Atlikite įstrižą pjūvį: Įstrižas pjūvis apsprendžia kryptį, kuria kris medis, ir nukreipia jį. Jis atliekamas iš tos pusės, link kurios turės kristi medis. Įstrižą pjūvį atlikite kuo arčiau žemės. Pirmiausia atlikite horizontalų pjūvį, įpjaudami 1/5 - 1/3 medžio kamieno skersmens. Nepadarykite per ilgo įstrižo pjūvio. Po to atlikite įstrižinį pjūvį.

- Atlikite bet kokius įstrižo pjūvio pataisymus per visą jo plotį.

Pav.28

- Atlikite galinį pjūvį truputį aukščiau už įstrižo pjūvio pagrindą. Galinis pjūvis turi būti tiksliai horizontalus. Tarp galinio ir įstrižo pjūvio palikite ir neįpjaukite maždaug 1/10 kamieno skersmens. Medžio pluoštai neįpjauto kamieno dalyje tarnauja vietoj lanksto. Niekada nekirkite skersai per visus pluoštus, nes kitaip medis virs nevaldomai. Laikinai į galinį pjūvį įkiškite pleištus.

- Į galinį pjūvį galima kišti tik plastikinius arba aliumininius pleištus. Geležinius pleištus kišti draudžiama.
- Pasitraukite į šoną nuo krentančio medžio. Užpakalinė krentančio medžio dalis turi būti laisva 45 ° kampu iš abiejų medžio ašies pusių (žr. į "medžių kirtimo zonos" piešinį). Saugokitės krentančių šakų.
- Prieš pradėdami pjauti suplanuokite ir, jei reikia, išvalykite pabėgimo kelią. Pabėgimo kelias turi eiti atgal ir įstrižai už tikėtinos kritimo linijos, kaip parodyta paveikslėlyje.

Pav.29

TECHNINĖ PRIEŽIŪRA

⚠DĖMESIO:

- Prieš apžiūrėdami ar taisydami įrenginį visada patikrinkite, ar jis išjungtas, o laido kištukas - ištrauktas iš elektros lizdo.
- Atlikdami bet koki patikrinimą arba techninės priežiūros darbus, visada dėvėkite pirštines.
- Niekada nenaudokite gazolino, benzino, tirpiklio, spirito arba panašių medžiagų. Gali atsirasti išblukimų, deformacijų arba įtrūkimų.

Reguliariai atlikite toliau aprašytus techninės priežiūros darbus. Garantijos reikalavimai priimami tik tada, jeigu buvo reguliariai ir tinkamai atliekami šie darbai.

Vartotojas gali atlikti tik šiame vartotojo vadove aprašytus techninės priežiūros darbus. Visi kiti darbai privalo būti atlikti „MAKITA“ įgaliuotuosiose techninės priežiūros centruose.

Grandininio pjūklo valymas

Reguliariai valykite pjūklą švariu skudurėliu. Ypač reikia saugoti rankenas, kad jos nesusiteptų alyva.

Plastikinio korpuso patikrinimas

Reguliariai apžiūrėkite visas korpuso dalis. Jeigu kurios nors dalys sugestų, nedelsiant atiduokite įrankį į „MAKITA“ įgaliotąjį techninės priežiūros centrą, kad tinkamai jį pataisytų.

Pjūklo grandinės galandimas

⚠DĖMESIO:

- Tvarkydami pjūklo grandinę, visada išjunkite įrankį iš maitinimo tinklo ir dėvėkite apsaugines pirštines.

Pav.30

Pjūklo grandinę galąskite, kai:

- Pjaunant drėgną medieną, krenta miltiškos pjuvenos;
- Grandinė sunkiai skverbiasi į medieną, net ir stipriai spaudžiant;
- Pjovimo kraštas yra aiškiai apgadintas;
- Pjaunant medieną, pjūklas slenka kairėn arba dešinėn. Taip nutinka dėl nelygaus pjūklo grandinės išgalandimo arba vienos pusės apgadavimo.

Dažnai galąskite pjūklo grandinę, tačiau kiekvieną kartą nugaląskite tik mažą paviršiaus dalelę.

Dažnai galandant, paprastai pakanka dviejų ar trijų dildės brūkštelėjimų. Keletą kartų pagalandus pjūklo grandinę, ją reikėtų atiduoti į „MAKITA“ įgaliotąjį techninės priežiūros centrą, kad ją dar kartą pagalastų.

Galandimo kriterijai:

- Visų pjovimo dantukų ilgis privalo būti vienodas. Nevienodo ilgio pjovimo dantukai neleidžia grandinei tolygiai sukstis ir todėl grandinė gali nutrūkti.
- Negaląskite grandinės, kai pasiekiamas minimalus 3 mm dantukų ilgis. Tada reikia pakeisti grandinę nauja.
- Narelio storis nustatomas pagal atstumą tarp gylio ribotuvo (apvali nosele) ir pjovimo dantuko krašto.
- Geriausių pjovimo rezultatų pasiekama, kai atstumas tarp pjovimo dantuko krašto ir gylio ribotuvo yra toks kaip nurodyta toliau.
Grandininio pjūklo ašmenys 91PX: 0,65 mm

Pav.31

⚠ISPĖJIMAS:

- Per didelis atstumas padidina atitranskos riziką.
- Visi pjovimo dantukai turi būti vienodai pagalasti 30° kampu. Pagalandus skirtingu kampu, grandinė suksis netolygiai ir nelygiai, ji greičiau susidėvės arba net nutrūks.
- Pjovimo dantuko šoninės plokštelės kampas nustatomas pagal apvalios dildės prasiskverbimo gylį. Jeigu minėta dildė naudojama tinkamai, automatiškai pasiekiamas teisingas šoninės plokštelės kampas.
- Toliau nurodyti kiekvienos pjūklo grandinės šoninės plokštės kampai:
Grandininio pjūklo ašmenys 91PX: 80°

Pav.32

Dildė ir dildės valdymas

- Grandininio pjūklo grandinės galandimui naudokite specialią apvalią dildę (papildomas priedas). Įprastos apvalios dildės netinka.
- Toliau nurodyti kiekvienai pjūklo grandinei tinkamų apvalių dildžių skersmenys:
Grandininio pjūklo ašmenys 91PX: 4,0 mm
- Dildė turi liesti pjovimo dantuką tik braukiant ją į priekį. Atbulinio judesio metu, atkelkite dildę nuo pjovimo dantuko.
- Pirmiausia pagaląskite trumpiausią pjovimo dantį. Šio trumpiausio pjovimo dantuko ilgis tampa šablonu galandant visus kitus pjūklo grandinės pjovimo dantukus.

Pav.33

- Nukreipkite dildę taip, kaip parodyta peišinyje.
- Dildę lengviau nukreipti, naudojant dildės laikiklį (papildomas priedas). Ant dildės laikiklio

pažymėtos teisingos 30 ° galandimo kampas (sulygiuokite žymes lygiagrečiai su pjūklo grandine) ir prasiskverbimo gylio ribos (4/5 dildės skersmens).

Pav.34

- Pagalandę grandinę, patikrinkite gylio robotuvo aukštį, naudodami grandinės matavimo įrankį (papildomas priedas).

Pav.35

- Specialia plokščia dilde (papildomas priedas) nudildykite bet kokias išsikišusias dalis, kad ir kokios mažos jos būtų.
- Vėl užapvalinkite gylio robotuvo priekines dalis.

Nuvalykite pjovimo juosta ir patepkite žvaigždute.

⚠DĖMESIO:

- Atlikdami šiuo darbus, visada dėvėkite apsaugines pirštines. Atplaišos kelia pavojų susižeisti.

Pav.36

Reguliariai patikrinkite, ar neapgadinti judantys juostos paviršiai. Valykite tam tinkamu įrankiu ir, jeigu reikia, pašalinkite atplaišas.

Jeigu grandininis pjūklas naudojamas dažnai, bent kartą per savaitę reikia patepti grįžtamosios žvaigždutės guolį. Prieš pripildami naujo tepalo, rūpestingai išvalykite ant pjovimo juostos galo esančią 2 mm skylutę, po to išlaikinkite į ją truputį universalaus tepalo (papildomas priedas).

Alyvos juostos valymas

Pav.37

- Reguliariai valykite alyvos tiekimo griovelį ir pjovimo juostoje esančią alyvos padavimo skylutę.

Naujos pjūklo grandinės

Pakaitomis naudokite dvi ar tris pjūklo grandines, kad pjūklo grandinė, žvaigždutė ir judantys juostos paviršiai nusidėvėtų tolygiai.

Keisdami grandinę, apverskite juosta, kad jos griovelis vienodai nusidėvėtų.

⚠DĖMESIO:

- Naudokite tik šiam pjūklo modeliui skirtas patvirtintas grandines ir juostas (žr. „SPECIFIKACIJOS“).

Pav.38

Prieš pradėdami montuoti naują pjūklo grandinę, patikrinkite žvaigždutės būklę.

⚠DĖMESIO:

- Nusidėvėjusi žvaigždutė sugadina naują pjūklo grandinę. Todėl tokią žvaigždutę reikia pakeisti nauja.

Keisdami žvaigždutę, visada įdėkite naują fiksavimo žiedą.

Grandinės ir nusidėvėjusių stabdžių techninė priežiūra

Stabdymo sistemos – labai svarbios apsaugos funkcijos. Kaip ir bet kurios kitos sudedamosios grandininio pjūklo dalys, jos taip pat kažkiek nusidėvi. Jas turi reguliariai tikrinti „MAKITA“ įgaliotieji techninės priežiūros centrai. Ši priemonė skirta Jūsų pačių saugumui.

Anglinių šepetėlių keitimas

Pav.39

Periodiškai išimkite ir patikrinkite anglinius šepetėlius. Pakeiskite juos, kai nusidėvi iki ribos žymės. Laikykite anglinius šepetėlius švarius ir laisvai įslenkančius į laikiklius. Abu angliniai šepetėliai turėtų būti keičiami tuo pačiu metu. Naudokite tik identiškus anglinius šepetėlius.

Pav.40

Jei norite nuimti šepetėlių laikiklių dangtelius, pasinaudokite atsuktuvu. Išimkite sudėvėtus anglinius šepetėlius, įdėkite naujus ir įtvirtinkite šepetėlių laikiklio dangtelį.

Pakeitę šepetėlius, įjunkite įrankį į maitinimo tinklą ir įdirbkite šepetėlius, paleidę įrankį veikti be apkrovų maždaug 10 minučių.

Įrankio saugojimas

Biologiškai suyrančią pjūklo grandinės alyvą galima laikyti tik tam tikrą laikotarpį. Praėjus dveims metams po pagaminimo, biologinės alyvos tampa klampesnės ir gali sugadinti alyvos siurblių bei sudedamąsias tepimo sistemos dalis.

- Prieš padėdami grandininį pjūklą ilgam saugojimui, išpilkite alyvos bakelį ir pripilkite į jį truputį variklio alyvos (SAE 30).
- Trumpam įjunkite grandininį pjūklą, kad praplautumėte bakelyje likusius biologinės alyvos likučius, tepimo sistemą ir pjūklo mechanizmą.

PASTABA:

- Nenaudojant grandininio pjūklo ir palikus jį saugojimui, po kurio laiko iš jo ištėkės truputis grandinės alyvos. Tai visai normalu ir nėra kokio nors gedimo požymis.

padėkite grandininį pjūklą ant tinkamo paviršiaus.

Prieš pradėdami naudoti grandininį pjūklą iš naujo, pripilkite naujos BIOTOP pjūklo grandinei skirtos alyvos. Kad gaminsys būtų SAUGUS ir PATIKIMAS, jį taisyti, apžiūrėti ar vykdyti bet kokią kitą priežiūrą ar derinimą turi įgaliotasis kompanijos „Makita“ techninės priežiūros centras; reikia naudoti tik kompanijos „Makita“ pagamintas atsargines dalis.

GEDIMŲ ŠALINIMAS

Prieš kreipdamiesi dėl remonto darbų, pirmiausia patikrinkite gedimus patys. Jeigu susidursite su problemomis, kurios nėra paaiškintos vartotojo vadove, nemėginkite ardyti įrankio. Vietoj to kreipkitės į vietas „Makita“ įgaliotąjį techninės priežiūros centrą.

Veikimo sutrikimo būseną	Galima priežastis	Galimas sprendimo būdas
Grandininis pjūklas nepasileidžia.	Netiekiamas elektros maitinimas.	Prijunkite prie elektros tinklo. Patikrinkite elektros tiekimą.
	Pažeistas kabelis.	Nedelsdami išjunkite įrankį ir kreipkitės į vietas įgaliotąjį techninės priežiūros centrą.
	Įrankio veikimo sutrikimas.	Nedelsdami išjunkite įrankį ir kreipkitės į vietas įgaliotąjį techninės priežiūros centrą.
Grandinė neveikia.	Įjungtas grandinės stabdys.	Atleiskite grandinės stabdį.
Nepakankamai gerai atliekamas darbas.	Nusidėvėję anglinis šepetėlis.	Kreipkitės į vietas įgaliotąjį techninio aptarnavimo centrą, kad pataisytų.
Ant grandinės nėra alyvos.	Tuščias alyvos bakelis.	Pripildykite alyvos bakelį.
	Užterštas alyvos kreipiamasis griovelis.	Išvalykite griovelį.
	Netinkamai nustatytas alyvos siurblio reguliavimo varžtas.	Pareguliuokite alyvos siurblio tiekimo normą.
Grandinė nesustoj net ir įjungus grandinės stabdį.	Nusidėvėję stabdiklio juosta.	Nedelsdami išjunkite įrankį ir kreipkitės į vietas įgaliotąjį techninės priežiūros centrą.
Įrankis neįprastai vibruoja.	Atlaisvinkite pjovimo juosta arba pjūklo grandinę.	Pareguliuokite pjovimo juostos ir pjūklo grandinės įtempimą.
	Įrankio veikimo sutrikimas.	Nedelsdami išjunkite įrankį ir kreipkitės į vietas įgaliotąjį techninės priežiūros centrą.

014314

PASIRENKAMI PRIEDAI

⚠ DĖMESIO:

- Su šiuo vadovu aprašytu įrenginiu „Makita“ rekomenduojama naudoti tik nurodytus priedus ir papildomus įtaisus. Jeigu bus naudojami kitokie priedai ar papildomi įtaisai, gali būti sužaloti žmonės. Priedus arba papildomus įtaisus naudokite tik pagal paskirtį.

Jeigu norite daugiau sužinoti apie tuos priedus, kreipkitės į artimiausią „Makita“ techninės priežiūros centrą.

- Pjūklo grandinė
- Pjovimo juostos gaubtas
- Pjovimo juosta
- Pjūklo grandinės alyva

PASTABA:

- Kai kurie sąraše esantys priedai gali būti pateikti įrankio pakuotėje kaip standartiniai priedai. Jie įvairiose šalyse gali skirtis.

EESTI (algsed juhised)

Üldvaate selgitus

2-1. Hoob	12-1. Toitejuhtme konks	19-1. Eesmine kätekaits
2-2. Ketiratta kate	12-2. Tööriista juhe	19-2. Lahtilukustus
3-1. Reguleerkruvi	12-3. Pikendusjuhe	19-3. Lukustus
4-1. Regulaatorketas	12-4. Pistik ja pesa (kuju võib riigiti erineda)	20-1. Õlitase vaateava
5-1. Ketiratas	13-1. Lahtilukustuse nupp	22-1. Piiktugi
6-1. Juhtlatt	13-2. Lüliti päästik	26-1. Langetamispiirkond
6-2. Auk	15-1. Täiteava kork	29-1. Langetamise suund
7-1. Konks	15-2. Lint	29-2. Ohutsoon
7-2. Auk	16-1. Keerake lahti	29-3. Taganemistee
7-3. Tihvt	16-2. Pinguta	31-1. Lõikepikkus
9-1. Hoob	16-3. Ketil reguleerimiskruvi	31-2. Lõikeserva ja sügavuse piiraja vahekaugus
9-2. Ketiratta kate	16-4. Juhtlatt	31-3. Vähemalt 3 mm
10-1. Keerake lahti	16-5. Saekett	32-1. Küljeplaadi nurk
10-2. Pinguta	17-1. Keerake lahti	37-1. Õlijuhiku renn
10-3. Ketil reguleerimiskruvi	17-2. Pinguta	37-2. Õli etteandeava
10-4. Juhtlatt	17-3. Regulaatorketas	38-1. Ketiratas
10-5. Saekett	17-4. Juhtlatt	39-1. Piirmärgis
11-1. Keerake lahti	17-5. Saekett	40-1. Harjahoidiku kate
11-2. Pinguta	18-1. Eesmine kätekaits	40-2. Kruvikeeraja
11-3. Regulaatorketas	18-2. Lukustus	
11-4. Juhtlatt	18-3. Lahtilukustus	
11-5. Saekett		

TEHNILISED ANDMED




Mudel		UC3050A	UC3051A	UC3550A	UC3550AP	UC3551A	UC4050A	UC4051A	UC4550A	UC4551A
Keti maks. kiirus		14,5 m/s (870 m/min)								
Standardne juhtlatt	Lati pikkus	300 mm		350 mm		400 mm		450 mm		
	Lõikepikkus	260 mm		320 mm		355 mm		415 mm		
	Juhtriba tüüp	Ketiratta riba								
Standardne saekett	Tüüp	91PX								
	Samm	3/8"								
	Ülekandelülide arv	46		52		56		62		
Juhtlati soovitatav pikkus		300 - 450 mm								
Kogupikkus (ilma juhtlatita)		505 mm								
Netomass		5,4 kg	5,5 kg	5,5 kg	5,6 kg	5,5 kg	5,6 kg	5,6 kg	5,7 kg	
Pikendusjuhe (lisatarvik)		DIN 57282/HO 7RN -F L=30 m max, 3x1,5 mm ²								

- Meie jätkuva teadus- ja arendustegevuse programmi tõttu võidakse siin antud tehnilisi andmeid muuta ilma ette teatamata.
- Tehnilised andmed võivad olla riigiti erinevad.
- Kaal vastavalt EPTA protseduurile 01/2003

END218-7

Sümbol












Järgnevalt kirjeldatakse seadmetel kasutatavaid tingimärke. Veenduge, et olete nende tähendusest aru saanud enne seadme kasutamist.

-  • Lugege kasutusjuhendit ja järgige hoiatusi ning ohutuseeskirju.
-  • Kasutage kaitseprille.
-  • Kasutage kuulmiskaitseid.



• KAHEKORDNE ISOLATSIOON

- Ettevaatust: nõutud on eriline ettevaatus ja tähelepanu!
- Ettevaatust: kui toitejuhe on kahjustunud, tõmmake pistik viivitamatult voolukontaktist välja!
- Ettevaatust: tagasilööök!
- Kaitske vihma ja niiskuse eest!

-  • Kandke kiivrit, kaitseprille ja kuulmiskaitseid!
 -  • Kandke kaitsekindaid!
 -  • Tõmmake pistik voolukontaktist välja!
 -  • Esmaabi
 -  • Sisselõike maksimaalne lubatud pikkus
 -  • Keti liikumissuund
 -  • Ketiõli
 -  • Ketipidur vabastatud
 -  • Ketipidur rakendatud
 -  • Keelatud!
 -  • Üksnes ELi liikmesriikidele
- Ärge käidelize kasutuskõlbmatuks muutunud elektriseadmeid koos olmejäätmetega!
- Vastavalt Euroopa Parlamendi ja Nõukogu direktiivile elektri- ja elektroonikaseadmete jäätmete kohta ning direktiivi nõuete kohaldamisele liikmesriikides tuleb kasutuskõlbmatuks muutunud elektriseadmed koguda eraldi ja keskkonnasäästlikult korduskasutada või ringlusse võtta.

ENE085-1

Ettenähtud kasutamine

Tööriist on ette nähtud saematerjali ja palkide lõikamiseks.

ENF002-2

Toiteallikas

Seadet võib ühendada ainult andmesildil näidatud pingele vastava pingega toiteallikaga ning seda saab kasutada ainult ühefaasilisel vahelduvvoolutoitel. Seadmel on kahekordne isolatsioon ning seega võib seda kasutada ka ilma maandusjuhtmeta pistikupessa ühendatult.

ENG905-1

Müra

Tüüpiline A-korrigeeritud müratase vastavalt EN60745:

- Mürarõhutase (L_{pA}): 90,8 dB (A)
- Müravõimsustase (L_{WA}): 101,8 dB (A)
- Määramatus (K): 2,5 dB (A)

Kandke kõrvakaitsmeid

Vibratsioon

Vibratsiooni koguväärtus (kolmeteljeliste vektorite summa) määratud vastavalt EN60745:

Töörežiim: puidu lõikamine
 Vibratsioonitase (a_{hv}): 5,2 m/s²
 Määramatus (K): 1,5 m/s²

ENG901-1

- Deklareeritud vibratsiooniemissiooni väärtus on mõõdetud kooskõlas standardse testimismeetodiga ning seda võib kasutada ühe seadme võrdlemiseks teisega.
- Deklareeritud vibratsiooniemissiooni väärtust võib kasutada ka mürataseme esmaseks hindamiseks.

⚠ HOIATUS:

- Vibratsioonitase võib elektritööriista tegelikkuses kasutamise ajal erineda deklareeritud väärtusest sõltuvalt tööriista kasutamise viisidest.
- Rakendage kindlasti operaatori kaitsmiseks piisavaid ohutusabinõusid, mis põhinevad hinnangulisel müratasemel tegelikus töösituatsioonis (võttes arvesse tööperioodi kõik osad nagu näiteks korrad, mil seade lülitatakse välja ja mil seade töötab tühikäigul, lisaks tööajale).

ENH021-8

Ainult Euroopa riigid

EÜ vastavusdeklaratsioon

Makita deklareerib, et alljärgnev(ad) masin(ad):

Masina tähistus:
 Ketsaag
 Mudeli Nr/ Tüüp: UC3050A, UC3550A, UC4050A, UC4550A, UC3051A, UC3551A, UC3550AP, UC4051A, UC4551A
 Tehnilised andmed: vt tabel „TEHNILISED ANDMED“.

Vastavad alljärgnevatele Euroopa Parlamendi ja nõukogu direktiividele:

2000/14/EÜ, 2006/42/EÜ

Need on toodetud vastavalt järgmistele standarditele või standardiseeritud dokumentidele:

EN60745

Tehniline fail, mis on kooskõlas direktiiviga 2006/42/EÜ, on saadaval ettevõttes:

Makita, Jan-Baptist Vinkstraat 2, 3070, Belgia

Vastavushindamise protseduur direktiivi 2000/14/EÜ alusel oli kooskõlas lisaga V

Mõõdetud müravõimsustase: 101,9 dB (A)

Garanteeritud müravõimsustase: 103 dB (A)



000331

Yasushi Fukaya
Direktor

Makita, Jan-Baptist Vinkstraat 2, 3070, Belgia

GEA010-1

Üldised elektritööriistade ohutushoiatused

△ HOIATUS Lugege läbi kõik ohutushoiatused ja juhised. Hoiatuste ja juhiste mittejärgmine võib põhjustada elektrišokki, tulekahju ja/või tõsiseid vigastusi.

Hoidke alles kõik hoiatused ja juhised edaspidisteks viideteks.

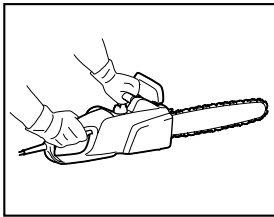
GEB037-8

Mootorsae ohutushoiatused

1. Hoidke kõik kehaosad mootorsaest eemal selle tööajal. Enne mootorsae käivitamist veenduge, et saag ei puutu millegagi kokku. Hetkeline tähelepanematus mootorsaeaga töötamise ajal võib põhjustada teie riiete või keha sae ketti takerdumist.
2. Hoidke alati mootorsaaigi parema käega tagumisest käepidemest ja vasaku käega esimesest käepidemest. Mootorsae vastupidi hoidmine suurendab vigastuste ohtu ning nii ei tohiks kunagi teha.
3. Elektritööriista tuleb hoida ainult isoleeritud ja hoidmiseks ette nähtud pindadest, sest saekett võib puutada vastu peidetud juhtmeid või vastu sae toitejuhet. Pingestatud juhtmega kokkupuutesse sattunud saeketid võivad pingestada elektritööriista metallosi, mille tagajärjel võib seadme kasutaja saada elektrilöögi.
4. **Kasutage kaitseprille ja kuulmiskaitsmeid.** Soovitav on ka peale, kätele, säärtel ja jalalabadele mõeldud kaitsevarustus. Vastav kaitseriietus vähendab vigastuste ohtu juhuslikul kokkupuutel lendleva rusu või mootorsaeaga.
5. **Ärge töötage mootorsaeaga puu otsas.** Mootorsaeaga puu otsas töötamine võib lõppeda vigastustega.
6. **Toetuge alati korralikule jalgealusele ja kasutage mootorsaaigi ainult liikumatul, kindlal ja tasasel pinnal.** Libedad ja ebastabiilsed pinnad nagu redelid võivad põhjustada tasakaalu kaotust või sae üle kontrolli kaotamist.
7. **Pingul oleva puuharu löikamisel olge valvas elastse järelmõju suhtes.** Kui pinge puu

kiududes vabaneb, võib pingul olnud oks operaatorit ootamatult tabada ja/või sae kontrolli alt välja lüüa.

8. **Olge eriti ettevaatlik võsa ja noorte puude saagimisel.** Õhuke materjal võib kergesti puruneda ja piitsana teie poole lennata või teid tasakaalust välja lüüa.
9. **Kandke mootorsaaigi väljalülitatud esikäepidemest ning oma kehast eemal hoides. Mootorsae transportimisel või hoistamisel pange alati juhikule kate peale.** Mootorsae korrektne käsitsemine vähendab kokkupuute tõenäosust liikuva sae kettaga.
10. **Järgige õlitamist, keti pingutamist ja lisatarvikute vahetamist puudutavaid juhiseid.** Valesiti pingutatud või õlitatud kett võib puruneda või suurendada tagasilöögi ohtu.
11. **Hoidke käed kuivad, puhtad ja õli- ning rasvavabad.** Rasvased ja õlised käepidemed on libedad ja võivad põhjustada kontrolli kaotamist sae üle.
12. **Lõigake ainult puitu. Ärge kasutage mootorsaaigi selleks mitte mõeldud eesmärkidel. Näiteks ärge kasutage mootorsaaigi plastmassi, kivi või mitte puidust ehitusmaterjalide löikamiseks.** Mootorsae kasutamine selleks mitte ettenähtud tööde tegemiseks võib tekitada ohtliku olukorra.
13. **Tagasilöögi põhjused ja operaatori tegevus selle vältimiseks:**
 Tagasilöök võib ette tulla juhiku otsa või tera kokkupuutel esemega või kui puit hakkab lähenema ja tõmbab sae keti löikekohta. Tera kokkupuude võib mõnel juhul põhjustada äkilise vastupidise reaktsiooni, lüües juhiku otsa üles ja tagasi operaatori suunas.
 Sae keti tõmbamine mööda juhiku tera võib tõugata juhiku kiiresti tagasi operaatori suunas. Kõik need reaktsioonid võivad põhjustada kontrolli kaotamist mootorsae üle, mis võib tekitada tõsiseid vigastusi. Ärge lootke ainuüksi sae sisse ehitatud ohutusseadmetele. Mootorsae kasutajana peaksite võtma kasutusele mitmed abinõud, et vältida oma löiketöodes õnnetusi ja vigastusi. Tagasilöök tuleneb tööriista valest kasutamisest ja/või ebakorrektestest tööprotseduuridest või -tingimustest ning on välditav allpool loetletud vastavate ettevaatusabinõude kasutusele võtmisega.
 - Veenduge kindlas haardes, hoides pöidlid ja sõrmed ümber mootorsae käepidemete ning mõlemad käed sae küljes, valige selline keha asend, mis lubaks tagasilöögi jõudude vastu seista. Õigete ettevaatusabinõude kasutamisel suudab operaator tagasilööke kontrollida. Ärge laske mootorsaeast lahti.



014316

- **Ärge küünitage saagimisel liiga ette ega saagige ölakõrgusest kõrgemalt.** Sel moel väldite soovimatuid kokkupuuteid saeteraga ja suudate mootorsaagi ootamatutes situatsioonides paremini kontrolli all hoida.
- **Kasutage ainult tootja poolt lubatud tagavaralehti ja -kette.** Ebaõiged tagavaralehed ja -ketid võivad põhjustada keti purunemist ja/või anda tagasilöögi.
- **Järgige tootja juhiseid kettsae teritamise ja hoolduse kohta.** Lõikesügavuse kõrguse vähendamine võib põhjustada suuremat tagasilööki.

OHUTUSE LISAEESKIRJAD

1. Lugege kasutusjuhendit, et end kettsae talitlusega kurssi viia.
2. Enne kettsae esmakordset kasutamist laske end selle talitluses instrueerida. Kui see pole võimalik, siis praktiseerige vähemalt ümarpuidu saagimist saagimispuki peal enne töö alustamist.
3. Lastel ja alla 18-aastastel noortel on kettsae kasutamine keelatud. Üle 16-aastased noored võivad olla nimetatud piirangust vabastatud, kui nad läbivad vastava väljaõppe asjatundja juhendamisel.
4. Kettsaega töötamine nõuab suurt kontsentreerumist. Ärge töötage saega, kui te ei tunne end selleks sobiva ja tervena. Töötage rahulikult ja ettevaatlikult.
5. Ärge kunagi töötage alkoholi, uimasteite või ravimite mõju all.

Õige kasutamine

1. Kettsaag on ette nähtud ainult puidu lõikamiseks. Ärge kasutage seda näiteks plastiku või poorse betooni lõikamiseks.
2. Kasutage kettsaagi ainult käesolevas kasutusjuhendis kirjeldatud toimingute teostamiseks. Ärge kasutageseda näiteks heki või muu sarnase pügamise eesmärgil.
3. Kettsaagi ei tohi kasutada metsatöödeks, st kasvatate puude langendamiseks ja nende järgneva laasimiseks. Kettsae toitejuhe ei taga operaatorile liikuvust ja ohutust selliste tööde tegemiseks.
4. Kettsaag ei ole mõeldud kasutamiseks äritegevuse eesmärkidel.
5. Ärge koormake kettsaagi üle.

Isikukaitsevahendid

1. Riietus peab olema liibuv, kuid ei tohi takistada liikuvust.
2. Kandke töö ajal järgmist kaitseriietust:
 - Testitud kaitsekiiver, kui ohtu põhjustavad kukkuvad oksad või muu sarnane;
 - Näomask või kaitseprillid;
 - Sobivad kuulmiskaitsevahendid (kõrvaklapid, tavalised või vormitavad kõrvatrobid). Nõudmisel teostage müratase analüüs.
 - Kindlalt käespüsvivad nahast kaitsekindad;
 - Tugevast materjalist valmistatud pikad püksid;
 - Rebenemiskindlast materjalist valmistatud kaitsetunked;
 - Mittelibisevate taldadega, terasest ninakaitsematega ja rebenemiskindla voodriga kaitsekingad või -saapad;
 - Respiraator, kui teete tööd, mille käigus tekib tolmu (nt kuiva puidu saagimine).

Elektrilöögi eest kaitsmine



- Kettsaagi ei tohi kasutada märja ilma ega niiskes keskkonnas, kuna elektrimootor ei ole veekindel.
1. Ühendage saag ainult eelnevalt kontrollitud elektrisüsteemi. Kontrollige, et süsteemi pinge vastaks passi andmetele. Kontrollige, et 16 A sulavkaitse oleks paigaldatud. Välistingimustes kasutatavad saed tuleb ühendada läbi residuaalvoolu kaitseküliiti, mille võimsus ei ole suurem kui 30 mA.
- Kui ühendusjuhe peaks kahjustuma, eemaldage pistik viivitamatult vooluõrgust.



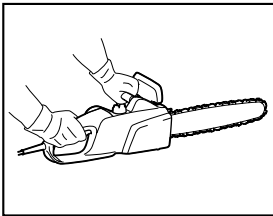
Ohutu töötamine

1. Enne töö alustamist kontrollige, kas kettsaag on töökorras ja kas selle seisund vastab ohutuseeskirjade nõuetele. Kontrollige eriti, kas:
 - Sae pidur töötab õigesti;
 - Sae põhpidur töötab õigesti;
 - Juhiku- ja ketikate on õigesti paigaldatud;
 - Kett on teritatud ja pingutatud vastavalt eeskirjadele;
 - Toitejuhe ja toitepistik on terved;

Vaadake järele peatükist "KONTROLLIMISED".

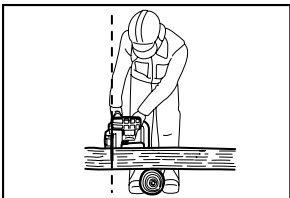
2. Tagage alati õige ristlõikega pikendusjuhtme kasutamine (vt "TEHNILISED ANDMED"). Kui kasutate kaablrulli, kerige kaabel täielikult rullilt maha. Sae kasutamisel välistingimustes tagage välistingimustes ette nähtud kaabli kasutamine, millel on vastavad parameetrid.
3. Hoidke juhe saagimisalast eemal ja leidke juhtmele selline asend, et see ei jääks saagimise ajal kinni okstesse jms takistustesse.
4. Ärge töötage kettsaega kergsüttiva tolmu ega gaaside läheduses, kuna mootori töötamine tekitab sädemid ja esineb **plahvatusoht**.

5. Töötage ainult kindlal pinnal ja kindlal jalgealusel toetuspinnal. Pöörake erilist tähelepanu tööpiirkonnas olevatele takistustele (nt kaabel). Olge eriti ettevaatlik, kui niiskus, jää, lumi, äsja saetud puit või puukoor võivad muuta maapinna libedaks. Sae kasutamisel ärge seiske redelitel ega puudel.
6. Olge eriti ettevaatlik nõlvakul töötamisel; veerevad palgid ja oksad on ohtlikud.
7. Ärge kunagi teostage lõikamist õlakõrgusest kõrgemal.
8. **Sae sisselülitamisel ja kasutamisel hoidke seda mõlema käega.** Hoidke tagakäepidet parema käega ja esikäepidet vasakuga. Hoidke käepidemetest kindlalt kinni. Kui saag on sisse lülitatud, ei tohi juhik ega kett kokku puutuda ühegi objektiga.



014316

9. Puhastage lõigatav piirkond võõrkehadest, nagu liiv, kivid, naelad, traat jne. Võõrkehad kahjustavad juhikut ja ketti ning võivad põhjustada ohtliku tagasilöögi.
10. Olge eriti ettevaatlik traadist kaitsetõkete läheduses saagimisel. Ärge lõigake kaitsetõkke, kuna saag võib tekitada tagasilöögi.
11. Ärge lõigake pinnasesse.
12. Lõigake puidutükke ükshaaval, mitte pakettides ega virnades.
13. Vältige sae kasutamist peenikeste okste ja juurte lõikamiseks, kuna need võivad kettsae ummistada. Tasakaalu kaotamine on ohtlik.
14. Saematerjali lõikamisel kasutage kindlat toetusvahendit (pukk).
15. Ärge kasutage kettsaagi puidutükkide ja muude objektide väljakangutamiseks või kõrvale lükkamiseks.
16. Juhtige kettsaagi nii, et teie keha ei asuks saetee kujuteldaval pikendusel (vt joonist).

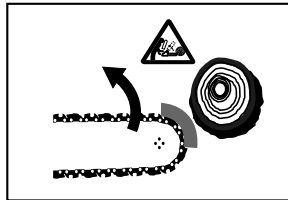


006909

17. Kui vahetate asukohta saagimistoimingute vahepeal, kasutage ketpidurit vältimaks keti ootamatut liikuma hakkamist. Kettsae kandmisel hoidke seda eesmisest käepidemest ja ärge hoidke sõrme lülitil.
18. Töö vaheaegadel ja kettsae jätmisel järelevalveta eemaldage pistik vooluvõrgust. Jätke saag kohta, kus see ei muutu ohtlikuks.

Tagasilööök

1. Kettsaega töötamisel võib esineda ohtlik tagasilööök. Tagasilööök tekib, kui juhiku ots (eriti ülemine veerand) puutub kokku puidu või mõne muu tahke objektiga. See põhjustab kettsae kõrvalekaldumist operaatori suunas.

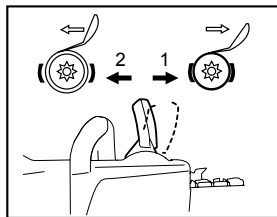


006919

2. Tagasilöögi vältimiseks pidage kinni järgnevast:
 - Ärge kunagi alustage lõikamist juhiku otsaga.
 - Ärge kunagi kasutage juhiku otsa lõikamiseks. Olge eriti ettevaatlik juba alustatud sisselõigete saagimise jätkamisel.
 - Alustage saagimist töötava ketiga.
 - Teritage ketti alati õigesti. Eelkõige paigutage sügavuse piiraja õigele kõrgusele.
 - Ärge kunagi saagige korraga mitut oksa.
 - Laasimisel olge ettevaatlik, et vältida juhiku kokkupuudet teiste okstega.
 - Järkamisel hoidke eemale külgnevatest palkidest. Jälgige alati juhiku otsa.
 - Kasutage toetuspukki.

Ohutuselemendid

1. Enne töö alustamist kontrollige alati, kas ohutuselemendid on töökorras. Ärge kasutage kettsaagi, mille ohutuselemendid ei tööta õigesti.
 - **Ketpidur:**
Kettsaag on varustatud ketpiduriga, mis seiskab saeketi sekundi mürdosa jooksul. See aktiveeritakse keti käsiliitli tõukamisega ettepoole. Saekett seiskub seejärel 0,15 sekundi jooksul ja elektritoido mootorile katkestatakse.



014317

1. Ketipidur rakendatud
2. Ketipidur vabastatud

- Põhipidur:

Kettsaag on varustatud põhipiduriga, mis seiskab saeketi viivitamatult ON/OFF (SEES/VÄLJAS) nupu vabastamisel. See takistab saeketi ohtlikku liikumajäämist pärast tööriista väljalülitamist.

- **Eesmised- ja tagumised käekaitseid** kaitsevad kasutajat vigastuste eest, mis võivad tekkida juhuslikult lenduvate osakeste või purunenud saeketi tõttu.

- Päästiku **väljalülitamine** väldib kettsae juhuslikku sisselülitamist.

- Ketipüüdur **kaitseb** kasutajat kehavigastuse eest, kui kett peaks hüplema või purunema.

Transportimine ja ladustamine



Kui kettsaagi ei kasutata või seda kavatsetakse transportida, tõmmake tööjuhe voolukontaktist välja ja paigaldage juhtlatile saega kaasas olnud kate. Ärge kunagi transportige saagi saeketi liikuvus olekus.

1. Kandke kettsaagi ainult esikäepidemest hoides ja tahapoole suunatud juhikuga.
2. Hoidke kettsaagi ohutus, kuivas ja lukustatud ruumis lastele kättesaamatus kohas. Ärge hoidke kettsaagi välitingimustes.

HOOLDUS

1. Enne mis tahes reguleerimiste või hoolduse teostamist eemaldage pistik voolukontaktist.
2. Kontrollige regulaarselt, et tööjuhtme isolatsioon poleks kahjustunud.
3. Puhastage kettsaagi regulaarselt.
4. Laske korralikult ja viivitamatult parandada plastikkorpusele tekkinud mis tahes vigastused.
5. Ärge kasutage saagi, mille käivituslülitit ei tööta korralikult. Laske lülitit korda teha.
6. Kettsae juures ei tohi teostada mingil tingimusel mingeid muudatusi. See on ohtlik teie ohutusele.
7. Ärge teostage ühtki muud hooldust ega remonti, mida pole kirjeldatud käesolevas kasutusjuhendis. Mis tahes muid töid peab teostama volitatud teeninduskeskus.
8. Kasutage ainult teie saemudelile ettenähtud originaalvaruosi ja tarvikuid. Teiste osade kasutamine suurendab õnnetuse riski.

9. Me ei kannu vastutust õnnetuste või kahjustuste eest, kui kasutatakse heakskiitmata juhikuid, saekette või muid varuosi või tarvikuid.

Esmaabi



· Ärge töötage üksi. Töötage alati kuulmiskaugusel teisest isikust.

1. Hoidke esmaabikarpi alati käepärast. Asendage viivitamatult sellest võetud vahendid.
2. Kui peaksite õnnetusjuhtumi korral abi vajama, formuleerige järgnev:
 - Kus õnnetus juhtus?
 - Mis juhtus?
 - Mitu isikut on vigastatud?
 - Millised vigastused neil on?
 - Kes teatab õnnetusest?

MÄRKUS:

Vereringehäiretega isikutel, kes on jäänud liigse vibratsiooni mõju alla, võib esineda veresoonekonna või närvisüsteemi kahjustus.

Vibratsioon võib põhjustada sõrmedes, kätes või randmetes järgmiste sümptomite esinemist: "Ärasuremine" (tuimus/tundetud), kihelemine, valu, torkava valu aisting, naha värvuse või naha muutused.

Kui mõni nimetatud sümptom ilmneb, pöörduge arsti poole!

HOIDKE JUHEND ALLES.

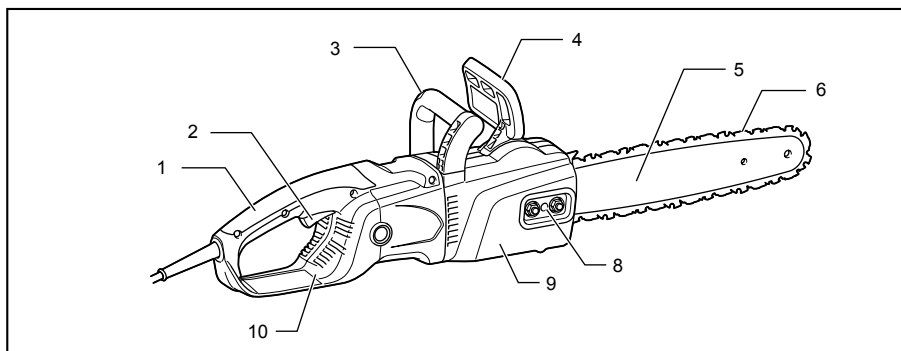
△HOIATUS:

ÄRGE laske mugavusel või toote kasutamisharjumustel (mis on saadud korduva kasutuse jooksul) asendada vankumatut toote ohutuseeskirjade järgimist. VALE KASUTUS või käesoleva kasutusjuhendi ohutusnõuete eiramine võib põhjustada tõsiseid vigastusi.

OSADE NIMETUSED

(Mutriga mudel: ketiratta katet pingutatakse mutritega.)

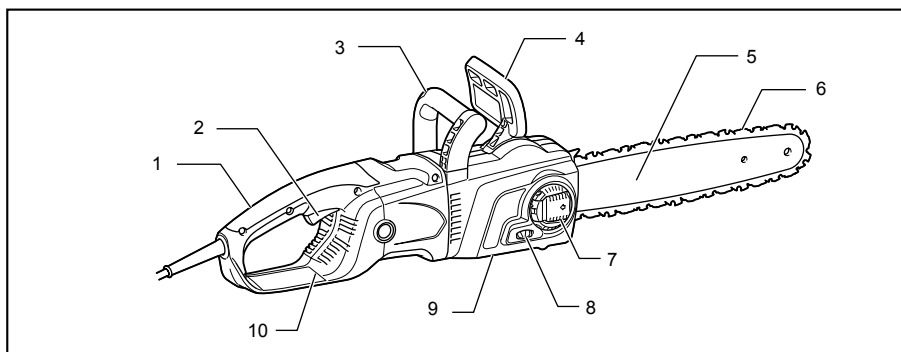
Mudelile UC3050A, UC3550A, UC3550AP, UC4050A,
UC4550A



014372

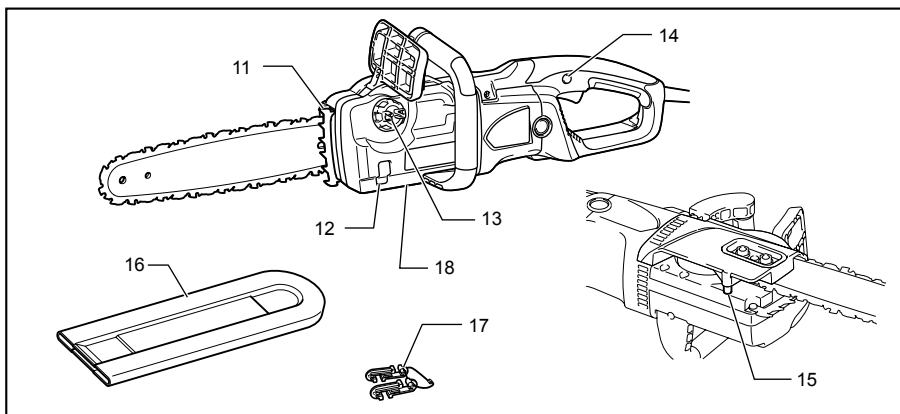
(Hoovaga mudel: ketiratta katet pingutatakse hoovaga.)

Mudelile UC3051A, UC3551A, UC4051A, UC4551A



014373

(Kõik mudelid)



014514

1	Tagumine käepide	7	Hoob	13	Täiteava kork
2	Lüliti päästik	8	Reguleerimiskruvi/-ketas	14	Lahtilukustuse nupp
3	Eesmine käepide	9	Ketiratta kate	15	Ketipüüdur
4	Eesmine kätekaitse	10	Tagumine kätekaitse	16	Juhtlati kate
5	Juhtlatt	11	Pliktugi	17	Toitejuhtme konks
6	Saekett	12	Õlitaseme vaateava	18	Õlipumba reguleerimiskruvi (põhja all)

014375

KOKKUPANEK

⚠ HOIATUS:

- Kandke alati enne tööriista mingite tööde teostamist hoolt selle eest, et see oleks välja lülitatud ja vooluvõrgust lahti ühendatud.

Ketiratta katte eemaldamine või paigaldamine

Ketiratta katte eemaldamiseks teostage järgmised toimingud:

(Mutriga mudelid)

Joon.1

Keerake mutter lahti.

(Hoovaga mudelid)

Joon.2

Vajutage hooba ja avage see täielikult kuni peatumiseni. Keerake hooba vastupäeva.

Ketiratta kate paigaldamiseks teostage eespool kirjeldatud toimingud vastupidises järjekorras.

Saeketi eemaldamine või paigaldamine

⚠ HOIATUS:

- Saeketi paigaldamisel või eemaldamisel kandke alati kindaid.

Saeketi eemaldamiseks toimige järgmiselt:

1. Lõdvendage ketiratta kate.
2. (Mutriga mudelid) Keerake keti reguleerimiskruvi vastupäeva, et vabastada saeketi pinge alt. (Hoovaga mudelid) Keerake reguleerimisketast „-“ suunas, et vabastada saekett pinge alt.

Joon.3

Joon.4

3. Eemaldage ketiratta kate.
4. Eemaldage kettsaelt saekett ja juhtlatt.

Saeketi paigaldamiseks teostage järgmised toimingud:

5. Kontrollige saeketi suunda. Saeketi suunda näitab ketil paiknev noolemärk.

Joon.5

6. Asetage saeketi üks ots juhtlati tippu ja teine ots ketiratta ümber.
7. Paigaldage juhtlatt kettsaele.
8. Viige pingsusliugur kohakuti juhtlati avaga.

Joon.6

9. Hoides juhtlati, keerake keti reguleerimiskruvi/-ketast, et reguleerida saeketi pingsust.
10. Asetage ketiratta kate nii, et haagid jääksid aukude kõrvale ning nõel sobituks oma avasse ketiratta kattes.

Joon.7

11. Pingutage ketiratta katet.

Joon.8

Joon.9

Saeketi pingsuse reguleerimine

Tundidepikkuse kasutamise järel võib saekett lödveneda. Enne kasutamist kontrollige aeg-ajalt saeketi pingsust.

1. Lõdvendage ketiratta katet veidi.
2. Tõstke juhtlati otsa veidi üles.
3. Saeketi pingsuse reguleerimiseks keerake reguleerimiskruvi/-ketast.

Joon.10

Joon.11

4. Pingutage saeketti, kuni saeketi alumine külj asetub juhtlati juhikusse (vt ringi).
5. Jätkake juhtlati hoidmist kergelt ning pärast keti pingsuse reguleerimist pingutage ketiratta katet. Veenduge, et saekett ei ole alumisel küljel lõtv.

Veenduge, et saekett asetub tihedalt vastu juhtlati alumist külge.

⚠HOIATUS:

- Ärge saeketti üle pingutage. Saeketi liigne pingsus võib põhjustada saeketi purunemise, juhtlati kulumise ja regulaatorketta purunemise.
- Liiga lõtv kett võib latil maha tulla ja põhjustada õnnetusjuhtumi.
- Paigaldage ja eemaldage saekett alati puhtas kohas, kus ei ole saepuru ega midagi muud sarnast.

Pikendusjuhtme ühendamine

⚠HOIATUS:

- Veenduge, et pikendusjuhe pole ühendatud vooluvõrku.

Joon.12

Pikendusjuhet ühendades kinnitage see haakkinnitusega kettsae juhtme külge.

Kinnitage haak umbes 100–200 mm kaugusele pikendusjuhtme ja tööriista juhtme kinnituskohast. See takistab juhtmete kogemata lahtiühendamist.

TÖÖRIISTA KASUTAMINE

⚠HOIATUS:

- Hoidke tööriista töötamise ajal kindlalt, hoides parema käega tagumisest käepidemest ja vasaku käega eesmisest käepidemest.

Lüliti funktsioneerimine

Joon.13

⚠HOIATUS:

- Kandke alati hoolt selle eest, et tööriist oleks enne lüliti päästiku kontrollimist välja lülitatud ja vooluvõrgust lahti ühendatud.

- Kontrollige alati enne tööriista vooluvõrku ühendamist, kas lüliti päästik funktsioneerib nõuetekohaselt ja liigub lahtilaskmisel tagasi väljalülitatud asendisse.

Selleks, et lüliti päästikut poleks võimalik juhuslikult tõmmata, on tööriistal lahtilukustuse nupp.

Tööriista käivitamiseks vajutage lahtilukustuse nupp alla ning tõmmake lüliti päästikut. Seiskamiseks vabastage lüliti päästik.

Õlitamine

⚠HOIATUS:

- Kandke alati hoolt selle eest, et tööriist oleks enne saeketi õlitamist välja lülitatud ja vooluvõrgust lahti ühendatud.

Joon.14

Õlitage saeketti ja latti nakkeainet sisaldava biolaguneva saeketiõliga. Saeketiõlis sisalduv nakkeaine takistab õli liiga kiiret saest väljapritsimist. Mineraalõlisid ei tohi kasutada, kuna need on keskkonda kahjustavad.

⚠HOIATUS:

- Vältige õli sattumist nahale ja silma. Silma sattunud õli tekitab ärritust. Juhul, kui õli on silma sattunud, loputage silma viivitamatult puhta veega ning pöörduge kohe arsti poole.
- Ärge kunagi kasutage juba kasutatud õli. Kasutatud õli sisaldab kantserogeenseid aineid. Kasutatud õlis sisalduvad saasteained põhjustavad õlipumba, lati ja keti kiiremat kulumist. Kasutatud õli on keskkonda kahjustav.
- Saeketi esmakordsel ketiõliga täitmisel või täiesti tühjenedud paagi taastäitmisel lisage õli täitekaela alumise ääreni. Vastasel korral võib õliga varustamine olla häiritud.

Joon.15

Õli lisamiseks toimige järgmiselt:

1. Puhastage täiteava korgi ümbrus korralikult, et vältida mustuse sattumist õlipaaki.
2. Kruvige täiteava kork lahti ja lisage õli kuni täitekaela alumise ääreni.
3. Kruvige täiteava kork korralikult tagasi oma kohale.
4. Pühkige õlipritsmed hoolikalt ära.

MÄRKUS:

- Kettsae esmakordsel kasutamisel võib kuluda kuni kaks minutit, enne kui avaldub ketiõli saemehhanismi õlitav toime. Laske sael seni koormuseta töötada (vt „KONTROLLIMINE“).

KONTROLLIMINE

Enne töö alustamist viige läbi järgmised kontrollimised:

Saeketi pingsuse kontrollimine

△HOIATUS:

- Enne saeketi pingsuse kontrollimist lahutage tööriist alati vooluvõrgust ning kandke kontrollimisel kaitsekindaid.

(Mutriga mudelid)

Joon.16

(Hoovaga mudelid)

Joon.17

Veenduge, et saekett asetub tihedalt vastu juhtlati alumist külge (vt ringi).

Kontrollige saeketi pingsust regulaarselt, kuna uued ketid venivad.

Saeketi liigne pingsus võib põhjustada saeketi purunemise, juhtlati kulumise ja regulaatorketta purunemise.

Liiga lõtv kett võib latilt maha tulla ja põhjustada õnnetusjuhtumi.

Kui saekett on liiga lõtv, vaadake lõiku pealkirjaga „Saeketi pingsuse reguleerimine” ning reguleerige uuesti saeketi pingsust.

Lüliti töö kontrollimine

△HOIATUS:

Kontrollige alati enne tööriista vooluvõrku ühendamist, kas lüliti päästik funktsioneerib nõuetekohaselt ja liigub lahtilaskmisel tagasi väljalülitatud asendisse.

Selleks, et lüliti päästikut poleks võimalik juhuslikult tõmmata, on tööriistal lahtilukustuse nupp.

Tööriista käivitamiseks vajutage lahtilukustuse nupp alla ning tõmmake lüliti päästikut. Seiskamiseks vabastage lüliti päästik.

Ärge tõmmake lüliti päästikut jõuga ilma lahtilukustuse nuppu vajutamata. Nii võib lüliti puruneda.

Ketipiduri kontrollimine

MÄRKUS:

- Kui kettsaag ei käivitu, kontrollige, kas ketipidur on vabastatud. Ketipiduri vabastamiseks tõmmake katekaitset tugevalt tagasi, kuni tunnete selle rakendumist.

Joon.18

Joon.19

Kontrollige ketipidurit järgmiselt:

1. Hoidke kettsaagi sisselülitamisel mõlema käega. Hoidke parema käega tagumisest käepidemest ja vasaku käega eesmisest käepidemest. Vaadake, et latt ja kett ei puutuks millegi vastu.
2. Vajutage esmalt lahtilukustuse nuppu, seejärel lüliti päästikut. Saekett käivitub momentaanselt.
3. Vajutage eesmist katekaitset käesela abil ettepoole. Kontrollige, kas saekett jääb kohe seisma.

△HOIATUS:

- Kui saekett ei jää kohe seisma, ärge saagi mingil juhul kasutage. Pöörduge Makita volitatud teeninduskeskuse poole.

Mahakägupiduri kontrollimine

Lülitage kettsaag sisse.

Vabastage lüliti päästik täielikult. Kontrollige, kas saekett jääb sekundi jooksul seisma.

△HOIATUS:

- Kui saekett ei jää kohe seisma, ärge saagi mingil juhul kasutage. Pöörduge Makita volitatud teeninduskeskuse poole.

Ketiõlilitaja kontrollimine

Enne töö alustamist kontrollige õlitaset õlipaagis, samuti õliga varustamist.

Õlitaset saab näha joonisel näidatud vaateavas.

Joon.20

Kontrollige õliga varustamist järgmiselt:

Käivitage kettsaag.

Hoidke töötavat saeketti ligikaudu 15 cm kõrgusel puutüvest või maapinnast. Kui õliga varustamine on piisav, siis jääb pihustuvast õlist sellele kerge õlijalg.

Jälgige tuule suunda ning ärge seadke ennast ilma vajaduseta pihustuva õli teele.

△HOIATUS:

- Kui õlijälge ei teki, ärge saagi kasutage. Vastasel korral lüheneb keti kasutusiga. Kontrollige õlitaset. Puhastage õlirenn ja latis olev etteandeava (vt lõiku „HOOLDUS”).

Keti määrimise reguleerimine

Joon.21

Õlipumba etteandemäärat saab reguleerida reguleerimiskruviga.

KETSAEGA TÖÖTAMINE

△HOIATUS:

- Hoidke tööriista töö ajal alati tugevalt, kasutades nii eesmist kui ka tagumist käepidet.
- Fikseerige lõigatav puit alati kindlalt, et lõigatav tükid ei saaks põhjustada kehavigastust.

Läbisaagimine

Joon.22

Läbisaagimiseks asetage joonisel näidatud piiktugi lõigatavale puule.

Saagige töötava saeketiga puusse, kasutades sae tõstmiseks tagumist käepidet ja sae suunamiseks eesmist käepidet. Kasutage piiktuge pöördeteljena.

Jätkake lõikamist, avaldades eesmisele käepidemele kergest survet ja lastes saagi pisut tagasi. Lükake piiktuge sügavamale puitu ja tõstke uuesti eesmist käepidet.

Mitme lõike tegemisel lülitage kettsaag lõigete vahel välja.

△HOIATUS:

- Kui lõikamisel kasutatakse lati ülaserava, siis võib kettsaag kinnikiilumise korral kasutaja suunas kalduda. Sel põhjusel lõigake alumise servaga, et saag kalduks kinnikiilumise korral teie kehast eemale.

Joon.23

Kõigepealt lõigake puidu surve all olevat külge (A). Siis sooritage lõplik lõige pinges oleval küljel (B). Nii saab vältida lati kinnikiilumist.

Joon.24

Okste laasimine

△HOIATUS:

- Okste laasimist tohivad teostada ainult vastava väljaõppega isikud. Siin kujutab ohtu tagasilöögi võimalus.

Okste laasimisel toetage kettsaag võimalusel puutüvele. Ärge lõigake lati tipuga, kuna see tekitab tagasilöögi ohtu.

Pöörake erilist tähelepanu pingele all olevatele okstele.

Ärge lõigake toestamata oksil altpoolt.

Ärge seiske okste lõikamise ajal langetatud puutüvel.

Uuristamine ja puusüüjoontega paralleelsed lõiked

△HOIATUS:

- Uuristamist ja puusüüjoontega paralleelset lõikamist tohivad teostada ainult vastava väljaõppega isikud. Võimaliku tagasilöögi tõttu on oht vigastada saada.

Joon.25

Toetage puusüüjoontega paralleelset lõikamist võimalikult väikese nurga all. Lõigake võimalikult ettevaatlikult, kuna piiktuge ei saa sel juhul kasutada.

Langetamine

△HOIATUS:

- Langetamist tohivad teostada ainult vastava väljaõppega isikud. See on ohtlik töö.

Kui soovite puud langetada, järgige kohalikke eeskirju.

Joon.26

- Enne langetama asumist veenduge, et:
 - (1) Läheduses viibivad ainult langetamisega seotud isikud;
 - (2) Kõikidel osalevatel isikutel on tõkestamata taganemistee ligikaudu 45° ulatuses kummalgi pool puutüve langemisnurka. Lisaks arvestage ka langetatava puu elektriliinidele kukkumise ohuga;
 - (3) Langetatava puu kännuosa on vaba võrkehadedest, juurtest ja okstest;
 - (4) Langetatava puu kukkumise suunas ei ole ükski isik ega objekt lähemal kui 2 1/2 puu pikkust.

- Arvestage iga langetatava puu osas järgmist:
 - Kaldenurk
 - Lahtised või kuivanud oksad
 - Puu kõrgus
 - Võra
 - Kas puu on mädanenud
- Arvestage tuule kiiruse ja suunaga. Tugevate tuulepuhangute korral ärge langetama asuge.
- Juurekühmude kärpimine: Alustage suurematest kühmudest. Sooritage esmalt vertikaalne, seejärel horisontaalne lõige.

Joon.27

- Viltune lõige: Viltune lõige määrab puu langemise suuna ning suunab seda. Selline lõige tehakse sellel küljel, millele puud langetada soovitakse. Tehke viltune lõige võimalikult maapinna lähedalt. Tehke esmalt horisontaalne lõige sügavusega 1/5-1/3 puutüve läbimõõdust. Ärge lõigake liiga viltu.
- Viltulõike paranduslõikeid tehke kogu lõike ulatuses.

Joon.28

- Viltusel lõikamisel tehke tagumine lõige pisut kõrgemale kui põhilõige. Tagumine lõige peab olema täiesti horisontaalne. Jätke tagumise lõike ja viltuse lõike vahele ruum, mis vastab ligikaudu 1/10 puutüve läbimõõdust.
- Puidukiud puutüve lõikamata osas toimivad hingenähtena. Mitte mingil tingimusel ärge lõigake neid kiude läbi, kuna puu langemine muutub sel juhul kontrollimatuks. Sisestage kiilud viltusesse langetuslõikesse õigeaegselt.
- Langetuslõike avatuna hoidmiseks võib kasutada ainult plastik- või alumiiniumkiilusid. Rauast kiilude kasutamine on keelatud.
- Seiske langeva puu kõrvale. Hoidke langeva puu tagune ruum 45° ulatuses kummalgi pool kukkumisnurka puhtana (vt joonist „langetamispiirkond“). Olge tähelepanelik kukkuvate okste suhtes.
- Enne saagimise algust peaks vajadusel planeerima taganemistee ja selle takistustest vabastama. Taganemistee peaks suunduma langetamise liinist tahapoole, oodatavast langetamise suunast diagonaalselt vastassuunas, nagu joonisel näidatud.

Joon.29

HOOLDUS

△HOIATUS:

- Kandke alati enne kontroll- või hooldustoimingute teostamist hoolt selle eest, et tööriist oleks välja lülitatud ja vooluvõrgust lahti ühendatud.
- Tööriista kontrollimisel ja hooldustööde teostamisel kandke alati kindaid.

- Ärge kunagi kasutage bensiini, vedeldit, alkoholi ega midagi muud sarnast. Selle tulemuseks võib olla liitumine, deformatsioon või pragunemine.

Teostage allpool nimetatud hooldustöid regulaarselt. Garantii on kehtiv vaid siis, kui nimetatud hooldustöid on teostatud regulaarselt ja korralikult.

Kasutaja võib ise teostada ainult käesolevas kasutusjuhendis nimetatud hooldustöid. Mis tahes muud töid peab teostama MAKITA volitatud teeninduskeskus.

Kettsae puhastamine

Puhastage saagi regulaarselt puhta riidelapiga. Iseäranis käepidemed ei tohi olla õliga määrdunud.

Plastikkorpuse kontrollimine

Teostage regulaarselt korpuse kõikide osade visuaalne ülevaatus. Kui mõni osa on kahjustunud, laske see MAKITA volitatud teeninduskeskuses kohe nõuetekohaselt parandada.

Saeketi teritamine

⚠ HOIATUS:

- Saeketiga seonduvate tööde teostamisel lahutage tööriist alati vooluvõrgust ja kandke kaitsekindaid.

Joon.30

Teritage saeketti siis, kui:

- Niiske puidu saagimisel tekib jahune saepuru
- Kui kett läbibast puitu raskustega isegi tugeva surve avaldamisel
- Kui lõikeserval on silmnähtavad vigastused
- Kui saag kisub puidus paremale või vasakule. Sellise ilmingu põhjuseks on saeketi ebaühtlane teritatus või ainult ühe külje vigastus.

Teritage saeketti sagedasti, kuid eemaldage korraka ainult väike kogus materjali.

Rutiinsel teritamisel piisab enamasti kahest või kolmest viilitõmbest. Pärast saeketi mitmekordset teritamist laske seda teritada MAKITA volitatud teeninduskeskuses.

Teritamiskriteeriumid:

- Kõik lõikurid peavad olema võrdse pikkusega. Erineva pikkusega lõikurid takistavad sae sujuvat jooksu ning võivad põhjustada keti purunemise.
- Ärge teritage ketti, kui lõikurid on jõudnud oma minimaalse pikkuseni 3 mm. Siis tuleb paigaldada uus kett.
- Laastu paksus määratakse sügavuse piiraja (ümar nina) ja lõikeserva vahelise kauguse alusel.
- Parim lõiketulemus saadakse, kui vahemaa lõikeserva ja sügavuse piiraja vahel on järgmine.
Saetera 91PX: 0,65 mm

Joon.31

⚠ HOIATUS:

- Liiga suur kaugus suurendab tagasilöögi ohtu.
- Teritamisknurk 30° peab olema kõikidel lõikuritel ühesugune. Nurga erinevused raskendavad sae jooksu ja muudavad selle ebaühtlaseks, kiirendavad kulumist ja viivad keti purunemiseni.

- Lõikuri küljeplaadi nurga määrab ümarviili läbistussügavus. Kui nimetatud viili õigesti kasutada, siis tekib küljeplaadi õige nurk automaatselt.

- Iga saeketi küljeplaadi nurk on järgmine:
Saetera 91PX: 80°

Joon.32

Viiil ja viiljuhik

- Kasutage keti teritamiseks spetsiaalselt saekettidele mõeldud ümarviili (lisatarvik). Tavalised ümarviilid ei sobi.
- Eri saekettide puhul kasutatavate ümarviilide diameetrid on järgmised:
Saetera 91PX: 4,0 mm
- Viil peaks puutuma vastu lõikurit ainult tõuke ajal. Tagasitõmbe ajaks tõstke viil lõikuri pealt üles.
- Teritage esmalt kõige lühemat lõikurit. Seejärel määrab lühima lõikuri pikkus saeketi kõigi ülejäänud lõikurite pikkuse.

Joon.33

- Viilile joonisel näidatud moel.
- Viili käsitlemine on hõlpsam, kui kasutada viilihoidikut (lisatarvik). Viilihoidikul on markeeringud õige teritamisknurka (30°) leidmiseks (seadke markeeringud saeketiga paralleelselt ühele joonele) ja läbistussügavuse piiri tähised (kuni 4/5 viili läbimõõdust).

Joon.34

- Pärast keti teritamist kontrollige ketipiiraja (lisatarvik) abil sügavuse piiraja kõrgust.

Joon.35

- Eemaldage spetsiaalse lameviiliga (lisatarvik) kõik väljalatuvad osad, ükskõik kui väikesed need ka poleks.
- Ümardage uuesti sügavuse piiraja esiosa.

Juhtlati puhastamine ning tagasijooksuratta õlitamine

⚠ HOIATUS:

- Seda tööd tehke alati kaitsekinnastega. Kidad võivad tekitada vigastusi.

Joon.36

Kontrollige lati liikuvaid pindu regulaarselt vigastuste suhtes. Puhastage sobilikult tööriista abil ning eemaldage vajadusel kidad.

Kui kettsaagi kasutatakse tihti, õlitage tagasijooksuratta laagrit vähemalt kord nädalas. Enne uue määre lisamist puhastage hoolikalt juhtlatti tipus olev 2 mm avaus, seejärel suruge sellesse väike kogus universaalset määret (lisatarvik).

Õlijuhiku puhastamine

Joon.37

- Puhastage regulaarselt õlijuhiku renni ja latis olevat etteandeava.

Uued saeketid

Kasutage vaheldumisi kahte või kolme saeketti, et saekett, ketiratas ja lati liikuvad pinnad kuluksid ühtlaselt. Keerake latt keti vahetamisel ümber, et lati renn kuluks ühtlaselt.

HOIATUS:

- Kasutage ainult sellele mudelile ettenähtud kette ja latte (vt „TEHNILISED ANDMED“).

Joon.38

Enne uue saeketi paigaldamist kontrollige ketiratta seisukorda.

HOIATUS:

- Kulunud ketiratas kahjustab uut saeketti. Sellisel juhul laske ketiratas välja vahetada.

Ketiratta vahetamisel paigaldage alati uus lukustusrõngas.

Keti- ja mahakäigupiduri korrashoid

Pidurdussüsteemid on turvalisuse seisukohalt väga olulised. Nagu kettsae teised osad, kuluvad ka need teatud määral. Need tuleb lasta MAKITA volitatud teeninduskeskuses regulaarselt üle vaadata. See meede on teie enda turvalisuse huvides.

Süsiharjade asendamine

Joon.39

Võtke välja ja kontrollige süsiharju regulaarselt. Asendage süsiharjad uutega, kui need on kulunud piirmäärgini. Hoidke süsiharjad puhtad, nii on neid lihtne oma hoidikutesse libistada. Mõlemad süsiharjad tuleb asendada korraga. Kasutage ainult identseid süsiharju.

Joon.40

Kasutage harjahoidikute kaante eemaldamiseks kruvikeerajat. Võtke ära kulunud süsiharjad välja, paigaldage uued ning kinnitage harjahoidikute kaaned tagasi oma kohale.

Pärast harjade vahetamist ühendage tööriist vooluvõrku ja töötage harjad sisse, lastes tööriistal ilma koormuseta umbes 10 minutit töötada.

Tööriista hoistamine

Biolaguneva ketiõli säilitamisaeg on piiratud. Kahe aasta möödumisel tootmisest hakkab biolagunev õli omandama adhesiivseid omadusi ning kahjustab õlipumpa ja määrdesüsteemi osi.

- Enne tööriista pikemaks ajaks kasutuseel eemaldamist tühjendage õlipaak ja täitke see väikese koguse mootoriõliga (SAE 30).
- Laske sael lühidalt töötada, et bioõli jäägid paagist, määrdesüsteemist ja saemehhanismist välja loputada.

MÄRKUS:

- Kasutusel eemaldatud kettsaest lekitab veel mõnda aega vähesel hulgal ketiõli. See on normaalne ega anna märku rikkest.

Säilitage kettsaagi sobival aluspinnal.

Enne kettsae uuesti kasutusele võtmist täitke see värske BIOTOP ketiõliga.

Toote OHUTUSE ja TÖÖKINDLUSE tagamiseks tuleb vajalikud remonttööd, muud hooldus- ja reguleerimistööd lasta teha Makita volitatud teeninduskeskustes. Alati tuleb kasutada Makita varuosi.

VEAOTSING

Enne remonditöökotta pöördumist kontrollige seadet ise. Ärge üritage seadet lahti võtta, kui leiате probleemi, mida kasutusjuhendis ei kirjeldata. Selle asemel pöörduge Makita volitatud teeninduskeskuse poole.

Rikkestaatus	Võimalik põhjus	Abinõu
Kettsaag ei käivitu.	Puudub vool.	Ühendage tööriist vooluvõrguga. Kontrollige toidet.
	Kaabel on defektne.	Lõpetage kohe tööriistaga töötamine ja pöörduge kohaliku volitatud teeninduskeskuse poole.
	Tööriista rike.	Lõpetage kohe tööriistaga töötamine ja pöörduge kohaliku volitatud teeninduskeskuse poole.
Kett ei liigu.	Ketipidur on peal.	Vabastage ketipidur.
Ebapiisav jõudlus.	Süsihari on kulunud.	Pöörduge parandamiseks kohaliku volitatud teeninduskeskuse poole.
Ketil ei ole ketiõli.	Õlipaak on tühi.	Täitke õlipaak.
	Õljuhiku renn on määrdunud.	Puhastage renn.
	Õlipumba reguleerimiskruvi on valesti seadistatud.	Reguleerige õlipumba etteandemäära.
Kett ei seisku ka siis, kui ketipidur on peal.	Pidurilint on kulunud.	Lõpetage kohe tööriistaga töötamine ja pöörduge kohaliku volitatud teeninduskeskuse poole.
Tööriist vibreerib ebanormaalselt.	Lõtv juhtlatt või saekett.	Reguleerige juhtlati ja saeketi pingsust.
	Tööriista rike.	Lõpetage kohe tööriistaga töötamine ja pöörduge kohaliku volitatud teeninduskeskuse poole.

014314

VALIKULISED TARIKUD

HOIATUS:

- Neid tarvikuid ja lisaseadiseid on soovitatav kasutada koos Makita tööriistaga, mille kasutamist selles kasutusjuhendis kirjeldatakse. Muude tarvikute ja lisaseadiste kasutamisega kaasneb vigastada saamise oht. Kasutage tarvikuid ja lisaseadiseid ainult otstarvetel, milleks need on ette nähtud.

Saate vajadusel kohalikust Makita teeninduskeskusest lisateavet nende tarvikute kohta.

- Saekett
- Juhtlati kate
- Juhtlatt
- Saeketiõli

MÄRKUS:

- Mõned nimekirjas loetletud tarvikud võivad kuuluda standardvarustusse ning need on lisatud tööriista pakendisse. Need võivad riikide lõikes erineda.

РУССКИЙ ЯЗЫК (Оригинальная инструкция)

Объяснения общего плана

2-1. Рычаг	12-2. Шнур инструмента	19-2. Разблокирование
2-2. Крышка звездочки	12-3. Удлинитель	19-3. Блокирование
3-1. Регулировочный винт	12-4. Штекер и розетка	20-1. Смотровое окошко масляного уровня
4-1. Регулировочный диск	(форма может отличаться в зависимости от страны)	22-1. Зубчатый упор
5-1. Звездочка	13-1. Кнопка разблокирования	26-1. Площадь вырубki
6-1. Стержень направляющей	13-2. Курковый выключатель	29-1. Направление валки деревьев
6-2. Отверстие	15-1. Крышка емкости для масла	29-2. Опасная зона
7-1. Крючок	15-2. Ремень	29-3. Маршрут эвакуации
7-2. Отверстие	16-1. Ослабить	31-1. Длина распила
7-3. Штифт	16-2. Затянуть	31-2. Расстояние между режущей кромкой и глубиномером
9-1. Рычаг	16-3. Винт регулировки цепи	31-3. Минимум 3 мм
9-2. Крышка звездочки	16-4. Стержень направляющей	32-1. Угол боковой пластины
10-1. Ослабить	16-5. Пильная цепь	37-1. Масляный направляющий желоб
10-2. Затянуть	17-1. Ослабить	37-2. Отверстие подачи масла
10-3. Винт регулировки цепи	17-2. Затянуть	38-1. Звездочка
10-4. Стержень направляющей	17-3. Регулировочный диск	39-1. Ограничительная метка
10-5. Пильная цепь	17-4. Стержень направляющей	40-1. Колпачок держателя щетки
11-1. Ослабить	17-5. Пильная цепь	40-2. Отвертка
11-2. Затянуть	18-1. Ограждение передней ручки	
11-3. Регулировочный диск	18-2. Блокирование	
11-4. Стержень направляющей	18-3. Разблокирование	
11-5. Пильная цепь	19-1. Ограждение передней ручки	
12-1. Фиксатор шнура		

ТЕХНИЧЕСКИЕ ХАРАКТЕРИСТИКИ

Модель	UC3050A	UC3051A	UC3550A	UC3550AP	UC3551A	UC4050A	UC4051A	UC4550A	UC4551A	
Макс. скорость цепи	14,5 м/с (870 м/мин)									
Стандартная направляющая шина	Длина шины	300 мм			350 мм		400 мм		450 мм	
	Длина распила	260 мм			320 мм		355 мм		415 мм	
	Тип направляющей	Шина с концевой звездочкой								
Стандартная пильная цепь	Тип	91PX								
	Шаг	3/8"								
	Ко-во передаточных звеньев	46			52		56		62	
Рекомендуемая длина направляющей шины	300 - 450 мм									
Общая длина (без шины)	505 мм									
Вес нетто	5,4 кг	5,5 кг	5,5 кг	5,6 кг	5,5 кг	5,6 кг	5,7 кг		5,7 кг	
Удлинительный кабель (дополнительно)	DIN 57282/HO 7RN -F L=30 м макс., 3x1,5 мм ²									

- Благодаря нашей постоянно действующей программе исследований и разработок, указанные здесь технические характеристики могут быть изменены без предварительного уведомления.
- Технические характеристики могут различаться в зависимости от страны.
- Масса в соответствии с процедурой EPTA 01/2003

END218-7

Символ

Ниже приведены символы, используемые для электроинструмента. Перед использованием убедитесь, что вы понимаете их значение.



• Прочитайте руководство по эксплуатации и соблюдайте все предупреждения и инструкции по технике безопасности.



- Пользуйтесь средствами защиты глаз.
- Используйте средства защиты слуха.



- ДВОЙНАЯ ИЗОЛЯЦИЯ



- Предупреждение: необходимо обращать особое внимание!



• Предупреждение: в случае повреждения шнура немедленно вытащите вилку из розетки!



• Предупреждение: отдача!



• Оберегайте от воздействия дождя и влаги!



• Надевайте каску, защитные очки и используйте средства защиты слуха!



• Одевайте защитные очки!



• Вытащите вилку из розетки!



• Первая помощь



• Максимально допустимая длина распила



• Направление движения цепи



• Масло для цепи



• Тормоз цепи выключен



• Тормоз цепи включен



• Запрещено!



• Только для стран ЕС
Не утилизируйте данный электроинструмент вместе с бытовыми отходами!
В рамках соблюдения Европейской Директивы по утилизации электрического и электронного оборудования и ее применения в соответствии с национальным законодательством, электрооборудование в конце срока своей службы должно утилизироваться отдельно и передаваться для его утилизации на предприятие, соответствующее применяемым правилам охраны окружающей среды.

ENE085-1

Назначение

Данный инструмент предназначен для резки пиломатериалов и бревен.

ENF002-2

Питание

Подключайте данный инструмент только к тому источнику питания, напряжение которого соответствует напряжению, указанному на паспортной табличке. Инструмент предназначен для работы от источника однофазного переменного тока. Он имеет двойную изоляцию и поэтому может подключаться к розеткам без заземления.

Шум

Типичный уровень взвешенного звукового давления (A), измеренный в соответствии с EN60745:

Уровень звукового давления (L_{pA}): 90,8 дБ (A)

Уровень звуковой мощности (L_{WA}): 101,8 дБ (A)

Погрешность (K): 2,5 дБ (A)

Используйте средства защиты слуха

ENG900-1

Вибрация

Суммарное значение вибрации (сумма векторов по трем осям) определяется по следующим параметрам EN60745:

Рабочий режим: резка дерева

Распространение вибрации (a_h): 5,2 м/с²

Погрешность (K): 1,5 м/с²

ENG901-1

- Заявленное значение распространения вибрации измерено в соответствии со стандартной методикой испытаний и может быть использовано для сравнения инструментов.
- Заявленное значение распространения вибрации можно также использовать для предварительных оценок воздействия.

⚠️ ПРЕДУПРЕЖДЕНИЕ:

- Распространение вибрации во время фактического использования электроинструмента может отличаться от заявленного значения в зависимости от способа применения инструмента.
- Обязательно определите меры безопасности для защиты оператора, основанные на оценке воздействия в реальных условиях использования (с учетом всех этапов рабочего цикла, таких как выключение инструмента, работа без нагрузки и включение).

ENH021-8

Только для европейских стран

Декларация о соответствии ЕС

Makita заявляет, что следующее устройство (устройства):

Обозначение устройства:

Цепная пила

Модель/Тип: UC3050A, UC3550A, UC4050A,

UC4550A, UC3051A, UC3551A, UC3550AP,

UC4051A, UC4551A

Технические характеристики: см. Таблицу "ТЕХНИЧЕСКИЕ ХАРАКТЕРИСТИКИ".

Соответствует (-ют) следующим директивам ЕС:
2000/14/ЕС, 2006/42/ЕС

Изготовлены в соответствии со следующим стандартом или нормативными документами:

EN60745

Технический файл в соответствии с документом 2006/42/ЕС доступен по адресу:

Makita, Jan-Baptist Vinkstraat 2, 3070, Belgium

Процедура оценки соответствия согласно директиве 2000/14/ЕС была проведена в соответствии с приложением V

Измеренный уровень звуковой мощности: 101,9 дБ (А)

Гарантированный уровень звуковой мощности: 103 дБ (А)

8.5.2014



000331

Ясуси Фукайа (Yasushi Fukaya)
Директор

Makita, Jan-Baptist Vinkstraat 2, 3070, Belgium

GEA010-1

Общие рекомендации по технике безопасности для электроинструментов

⚠ ПРЕДУПРЕЖДЕНИЕ Ознакомьтесь со всеми инструкциями и рекомендациями по технике безопасности. Невыполнение инструкций и рекомендаций может привести к поражению электротоком, пожару и/или тяжелым травмам.

Сохраните брошюру с инструкциями и рекомендациями для дальнейшего использования.

ГЕВ037-8

Техника безопасности при использовании цепной пилы

1. Не приближайте во время работы инструмента пильную цепь к каким-либо частям тела. **Перед началом работы убедитесь в том, что пильная цепь ни к чему не прикасается.** Секундная невнимательность при работе с цепной пилой может привести к захлестыванию вашей одежды или частей тела пильной цепью.
2. **Всегда беритесь правой рукой за заднюю ручку, а левой – за переднюю.** Если поменять местами руки, возрастет риск травмирования.
3. **Держите электроинструмент только за специально предназначенные изолированные поверхности, так как цепная пила может коснуться скрытой проводки или собственного шнура.** Контакт цепной пилы с проводом под напряжением

приведет к тому, что металлические детали инструмента также будут под напряжением, и это приведет к поражению оператора электрическим током.

4. **Используйте защитные очки и беруши. Рекомендуется использовать дополнительные средства защиты для головы, рук и ног.** Надлежащая защитная одежда снижает риск получения травм от летящих частиц или при случайном прикосновении к пильной цепи.
5. **Не пользуйтесь цепной пилой на дереве.** Использование цепной пилы на дереве может привести к травме.
6. **Всегда твердо стойте на ногах; используйте пилу только стоя на неподвижной, надежной и ровной поверхности.** Скользящая или неустойчивая поверхность (например, лестница) может стать причиной потери равновесия или контроля над цепной пилой.
7. **Отрезая сук, находящийся под нагрузкой, помните о возможной отдаче.** Когда напряжение в волокнах дерева исчезнет, ветка может ударить оператора и/или выбить из рук цепную пилу.
8. **Соблюдайте особую осторожность при резании кустарника и молодых деревьев.** Пильная цепь может застрять в гибком материале, в результате чего вас может хлестнуть веткой, или вы можете потерять равновесие в результате рывка.
9. **Переносите цепную пилу только за переднюю ручку, в выключенном состоянии, не поднося к телу.** На время транспортировки или хранения цепной пилы обязательно надевайте крышку пильной шины. Правильное обращение с цепной пилой снижает риск случайного касания движущейся цепи.
10. **Следуйте инструкциям по смазке, натяжению цепи и замене принадлежностей.** Неправильно натянутая или смазанная пила может сломаться или увеличить вероятность отдачи.
11. **Ручки инструмента всегда должны быть сухими и чистыми, особенно от масла и смазки.** Замасленные ручки становятся скользкими, это может привести к потере контроля над инструментом.
12. **Разрешается использовать только для резки дерева.** Используйте цепную пилу только по назначению. Например: не используйте цепную пилу для резки пластика, кирпича или недревянных строительных материалов. Использование цепной пилы не по назначению может привести к опасным ситуациям.

13. Причины обратной отдачи и меры ее предотвращения оператором:

Отдача возможна в случае, если передняя часть или кончик пильной шины коснется предмета, или если дерево зажмет пильную цепь в разрезе.

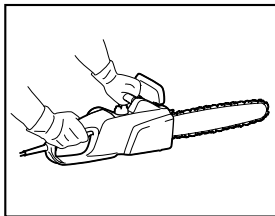
В некоторых случаях касание кончиком пилы может внезапно отбросить пильную шину вверх и назад, в сторону оператора.

Заземление пильной цепи у верхней части пильной шины может отбросить шину назад, к оператору.

Любая из этих реакций может стать причиной потери контроля над пилой и привести к тяжелым травмам. Не полагайтесь только на предохранительные устройства пилы. Как оператор цепной пилы, вы должны принять меры для обеспечения безопасной работы.

Отдача – это результат неправильного использования инструмента и/или неправильных процедур или условий эксплуатации. Ее можно избежать, соблюдая предосторожности, указанные ниже:

- **Надежно удерживайте инструмент двумя руками, пальцами охватывая рукоятки цепной пилы. Становитесь так, чтобы иметь возможность противостоять силе отдачи.** При соблюдении соответствующих мер безопасности оператор может контролировать силу отдачи. Не выпускайте цепную пилу из рук.



014316

- **Не старайтесь дотянуться до чего-либо и не пилите на высоте выше уровня плеч.** Это поможет предотвратить непреднамеренный контакт кончика пилы и лучше управлять цепной пилой в непредвиденных ситуациях.
- **Используйте сменные шины и цепи только рекомендованного производителем типа.** Использование других сменных шин и цепей может привести к разрыву цепи и/или отдаче.
- **Следуйте инструкциям производителя по заточке и уходу за цепной пилой.** Уменьшение высоты глубиномера может привести к увеличению силы отдачи.

ДОПОЛНИТЕЛЬНЫЕ ПРАВИЛА ТЕХНИКИ БЕЗОПАСНОСТИ

1. Внимательно прочитайте руководство по эксплуатации, чтобы ознакомиться с работой цепной пилы.
2. Перед первым использованием цепной пилы прочтите инструктаж по ее эксплуатации. Если это невозможно, то перед началом работы, как минимум, попрактикуйтесь в распиливании круглых бревен на козлах.
3. Цепная пила не должна использоваться детьми или лицами, не достигшими 18-летнего возраста. Лица, старше 16 лет могут не подпадать под действие этого ограничения в случае, если они проходят обучение под надзором специалиста.
4. Работа с цепной пилой требует высокой степени концентрации внимания. Не работайте с пилой, если вы чувствуете себя неважно. Спокойно и аккуратно выполняйте всю работу.
5. Никогда не работайте пилой, если вы находитесь под воздействием наркотиков, алкоголя или лекарственных препаратов.

Правильное использование

1. Цепная пила предназначена исключительно для распиливания древесины. Не используйте ее, например, для резки пластика или пористого бетона.
2. Используйте цепную пилу только для действий, указанных в данном руководстве по эксплуатации. **Не** используйте ее, например, для стрижки кустарника и подобных действий.
3. Цепная пила не должна использоваться для лесных работ, то есть для валки леса или обрезки сучьев стоящих деревьев. Шнур питания цепной пилы не предоставляет оператору достаточной мобильности и безопасности для выполнения таких видов работ.
4. Цепная пила не предназначена для промышленного использования.
5. Не допускайте перегрузки цепной пилы.

Индивидуальные средства защиты

1. Одежда должна быть достаточно облегачей, но не должна сковывать движений.
2. Во время выполнения работ используйте следующие средства индивидуальной защиты:
 - Сертифицированную защитную каску, в случае наличия опасности от падающих веток и т. п.;
 - Защитную маску или защитные очки;
 - Соответствующие средства защиты слуха (наушники или беруши). Октавный анализ модели по запросу.
 - Прочные кожаные защитные перчатки;

- Длинные брюки, изготовленные из прочной ткани;
- Защитные брюки из ткани, устойчивой к порезам;
- Ботинки или сапоги для безопасной работы с нескользящей подошвой, стальным носком и тканевой подкладкой, устойчивой к порезам;
- Респиратор при выполнении работ, приводящих к образованию пыли (например, распиливание сухой древесины).

Защита от поражения электрическим током



- Цепная пила не должна использоваться в мокрую погоду или во влажной среде, так как ее двигатель не является влагозащищенным.

1. Включайте вилку пилы только в розетки проверенных электрических сетей. Убедитесь, что напряжение в сети соответствует напряжению, указанному на идентификационной табличке. Убедитесь в наличии установленного линейного плавкого предохранителя 16 А. Пилы, используемые вне помещения, должны быть подключены к прерывателю цепи, срабатывающему от остаточного тока с током срабатывания не более 30 мА.



- В случае повреждения соединительного кабеля немедленно вытащите вилку из розетки.

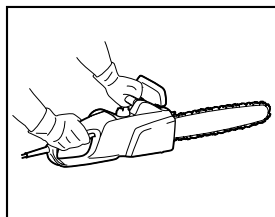
Безопасная практика выполнения работ

1. Перед началом работы убедитесь, что цепная пила находится в нормальном рабочем состоянии и что она соответствует нормативным требованиям техники безопасности. В частности убедитесь, что:
 - тормоз цепи нормально работает;
 - тормоз для нерабочего состояния нормально работает;
 - шина и крышка звездочки правильно установлены;
 - цепь была наточена и натянута в соответствии с требованиями;
 - шнур питания и сетевая вилка не повреждены;

Обратитесь к разделу "ПРОВЕРКИ".

2. Перед использованием всегда проверяйте сечение удлинительного кабеля (см. "ТЕХНИЧЕСКИЕ ХАРАКТЕРИСТИКИ"). При использовании кабеля, намотанного на катушке, полностью размотайте его. При использовании пилы вне помещения убедитесь, что используемый кабель предназначен для применения вне помещений и имеет соответствующие характеристики.

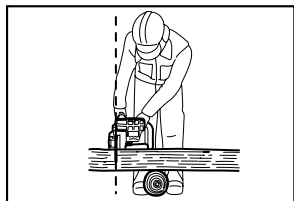
3. Располагайте шнур на расстоянии от места распила и таким образом, чтобы во время работы он не цеплялся за ветви и т.п.
4. Не пользуйтесь цепной пилой вблизи присутствия горючей пыли или газов, так как при работе мотора возникают искры, что может привести к **рisku взрыва**.
5. Работайте только на твердой поверхности и занимайте устойчивое положение. Обратите особое внимание на препятствия (например, кабель), находящиеся в месте выполнения работ. Будьте особенно осторожны, когда влага, лед, снег, только что сваленный лес или кора могут сделать поверхность скользкой. При пользовании пилой не становитесь на лестницы и не взбирайтесь на деревья.
6. Будьте особенно осторожны при работе на склоне. Катящиеся бревна или ветки представляют собой потенциальную угрозу.
7. Никогда не пилите на высоте выше уровня плеч.
8. **При включении и использовании пилы держите ее двумя руками.** Правой рукой возьмитесь за заднюю ручку, а левой - за переднюю. Крепко держите ручки. При включении пилы шина и цепь не должны соприкасаться с какими-либо предметами.



014316

9. Очистите место распила от инородных предметов, таких как песок, камни, гвозди, провода и т. п. Инородные предметы могут привести к повреждению шины и цепи и к возникновению опасной отдачи.
10. Будьте особенно внимательны при пилении в непосредственной близости от проволочной изгороди. Не пилите внутри проволочной изгороди, так как это может привести к опасной отдаче.
11. Не пилите древесину в земле.
12. Пилите древесину по одной детали, не пилите в связке или штабеле.
13. Избегайте использовать пилу для отпиливания тонких ветвей или корней, так как они могут запутаться в цепной пиле. Потеря равновесия представляет большую опасность.
14. При распиловке бревен используйте надежную опору (козлы).

15. Не используйте цепную пилу для подъема или отталкивания деталей из дерева или других предметов.
16. Направляйте цепную пилу таким образом, чтобы никакая часть вашего тела не находилась на одной линии с продолжением линии движения цепной пилы.

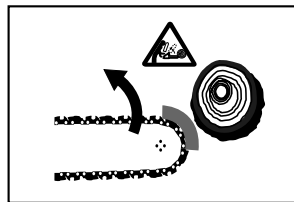


006909

17. При перемещении между действиями по распиливанию, включите тормоз цепи для предотвращения непреднамеренного запуска движения цепи. При переноске держите цепную пилу за переднюю ручку и не устанавливайте ваш палец на выключатель.
18. Во время перерыва в работе, или если пила остается без присмотра, обязательно выключайте ее из сети. Оставляйте цепную пилу в месте, где она не будет представлять опасности.

Отдача

1. Во время работы цепной пилы может возникнуть опасная отдача. Отдача возникает тогда, когда конец шины (в частности, верхняя четверть) соприкасаются с древесиной или другим твердым предметом. Это приводит к изгибу цепной пилы в направлении оператора.



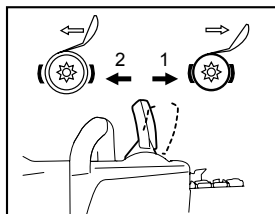
006919

2. Для предотвращения отдачи соблюдайте следующее:
 - Никогда не начинайте пиление концом шины.
 - Никогда не используйте конец шины для пиления. Будьте особенно внимательны при продолжении ранее начатых распилов.
 - Начинайте пиление с уже движущейся цепью.
 - Всегда правильно затачивайте цепь. В частности, отрегулируйте глубиномер на необходимую высоту.

- Никогда не пилите одновременно через несколько веток.
- При обрезке сучьев не допускайте контакта шины с другими ветками.
- При раскрывке держитесь на безопасном расстоянии от расположенных рядом стволов деревьев. Всегда следите за концом шины.
- Используйте козлы.

Средства обеспечения безопасности

1. Перед началом работ всегда проверяйте нормальное рабочее состояние всех средств обеспечения безопасности. Не используйте цепную пилу, если устройства обеспечения безопасности не работают соответствующим образом.
 - **Тормоз цепи:**
Цепная пила оборудована тормозом цепи, который обеспечивает мгновенную остановку движения цепи. Он включается, когда ограждение руки сдвинуто вперед. После этого цепь пилы останавливается в течение 0,15 секунды и питание электродвигателя отключается.



014317

1. Тормоз цепи включен
2. Тормоз цепи выключен

- **Тормоз при неработающей пиле:**
Цепная пила оборудована тормозом для торможения цепи, когда пила выключена. Он включается сразу же после отпускания куркового выключателя. Он не допускает движения цепи при выключенной пиле, что снижает опасность получения травмы.
- **Переднее и заднее ограждение рук** защищают пользователя от травмирования кусками древесины, которые могут быть отброшены назад, а также в случае разрыва цепи.
- **Блокировка куркового выключателя** предотвращает случайное включение пилы.
- **Уловитель цепи** защищает пользователя от получения травмы в случае соскакивания или разрыва цепи.

Транспортировка и хранение



- Если цепная пила не используется или перевозится с места на место, отключите вилку из розетки и установите на пилу прилагаемую крышку направляющей шины. Никогда не переносите и не перевозите цепную пилу во включенном состоянии.

1. Переносите цепную пилу только за переднюю ручку с шиной, направленной вниз.
2. Храните цепную пилу в надежном, сухом, запечатом помещении, недоступном для детей. Не храните цепную пилу на открытом воздухе.

ТЕХОБСЛУЖИВАНИЕ

1. Перед выполнением каких-либо настроек или обслуживания вытаскивайте вилку пилы из розетки.
2. Перед выполнением каких-либо настроек или обслуживания вытаскивайте вилку пилы из розетки.
3. Регулярно чистите цепную пилу.
4. Немедленно и надлежащим образом отремонтируйте любые повреждения пластикового корпуса.
5. Не пользуйтесь цепной пилой, если курковый выключатель плохо работает. Отремонтируйте его.
6. Ни при каких обстоятельствах не вносите каких-либо изменений в конструкцию цепной пилы. Этим вы подвергаете риску вашу безопасность.
7. Не выполняйте каких-либо работ по обслуживанию или ремонту, кроме тех, которые описаны в настоящем руководстве. Любые другие работы должны выполняться авторизованными сервисными центрами.
8. Используйте только оригинальные запасные части, предназначенные для вашей модели пилы. Использование других деталей повышает риск несчастного случая.
9. Компания не несет ответственности за несчастные случаи или повреждения, возникшие в результате использования несоответствующих шин, цепных пил или других запасных частей и принадлежностей.

Первая помощь



- Не работайте один. В пределах слышимости всегда должен находиться другой рабочий.

1. Всегда держите под рукой аптечку первой помощи. Немедленно добавляйте в аптечку любые использованные медицинские средства и препараты.
2. При необходимости оказания помощи в случае несчастного случая, укажите следующее:

- Где произошел несчастный случай.
- Как это случилось.
- Сколько человек было травмировано.
- Какие травмы они получили.
- Кто сообщает о несчастном случае.

Примечание:

Лица, имеющие нарушения в системе кровообращения, подверженные сильным вибрациям, могут подвергаться риску травм кровеносных сосудов или нервной системы. Вибрации могут привести к возникновению следующих симптомов в пальцах, руках или запястьях. "Сонный паралич" (онемение), покалывание, боль, чувство пронзающей боли или изменение цвета кожи.

В случае возникновения одного из этих симптомов, обратитесь к врачу!

СОХРАНИТЕ ДАННЫЕ ИНСТРУКЦИИ.

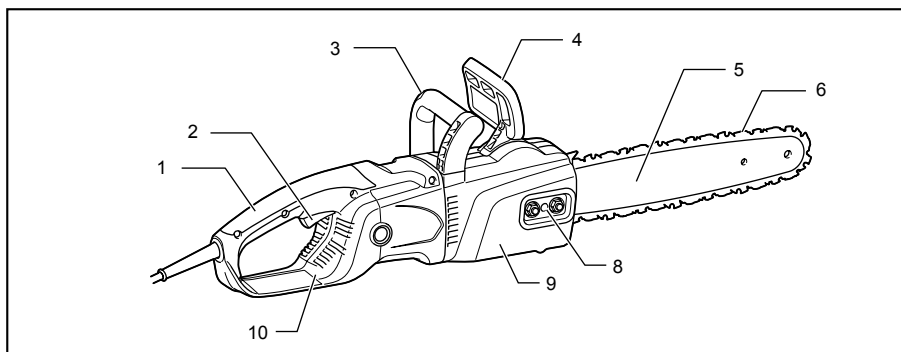
⚠ ПРЕДУПРЕЖДЕНИЕ:

НЕ ДОПУСКАЙТЕ, чтобы удобство или опыт эксплуатации данного устройства (полученный от многократного использования) доминировали над строгим соблюдением правил техники безопасности при обращении с этим устройством. НЕПРАВИЛЬНОЕ ИСПОЛЬЗОВАНИЕ инструмента или несоблюдение правил техники безопасности, указанных в данном руководстве, может привести к тяжелой травме.

КОМПОНЕНТЫ ИЗДЕЛИЯ

(Модель с гайками: крышка звездочки крепится с помощью гаек.)

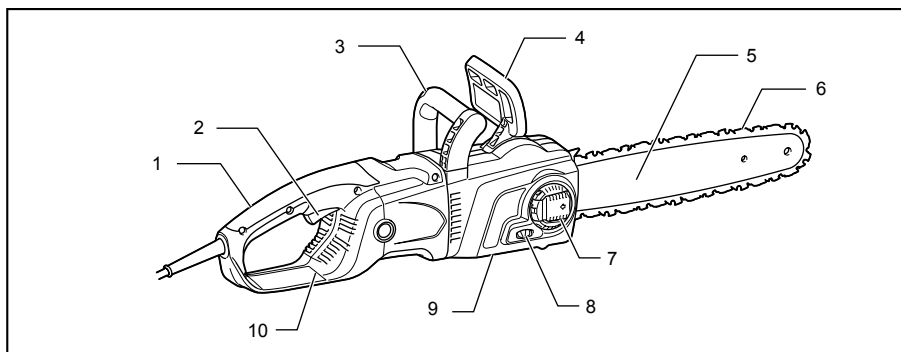
Для модели UC3050A, UC3550A, UC3550AP, UC4050A, UC4550A



014372

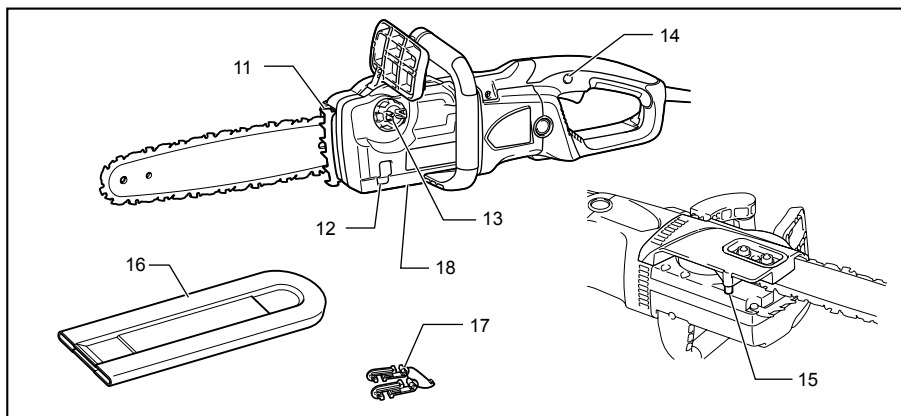
(Модель с рычагом: крышка звездочки фиксируется с помощью рычага.)

Для модели UC3051A, UC3551A, UC4051A, UC4551A



014373

(Для всех моделей)



014514

1	Задняя ручка	7	Рычаг	13	Крышка емкости для масла
2	Курковый выключатель	8	Винт регулировки/регулятор	14	Кнопка разблокирования
3	Передняя ручка	9	Крышка звездочки	15	Уловитель цепи
4	Ограждение передней ручки	10	Ограждение задней ручки	16	Крышка направляющей шины
5	Стержень направляющей	11	Зубчатый упор	17	Фиксатор шнура
6	Пильная цепь	12	Смотровое окошко масляного уровня	18	Винт регулировки маслососом (в нижней части)

014375

МОНТАЖ

⚠ ПРЕДУПРЕЖДЕНИЕ:

- Перед проведением каких-либо работ с инструментом всегда проверяйте, что инструмент выключен, а шнур питания вынут из розетки.

Снятие и установка крышки звездочки

Чтобы снять крышку звездочки, выполните следующие действия:

(Для моделей с гайками)

Рис.1

Ослабьте гайку.

(Для моделей с рычагом)

Рис.2

Нажмите и полностью откройте рычаг до упора. Поверните рычаг против часовой стрелки.

Чтобы установить крышку звездочки, выполните описанные выше действия в обратном порядке.

Снятие или установка пильной цепи

⚠ ПРЕДУПРЕЖДЕНИЕ:

- При установке или снятии пильной цепи всегда надевайте перчатки.

Чтобы снять пильную цепь, выполните следующие действия:

1. Ослабьте крышку звездочки.
2. (Для моделей с гайками) Поверните винт регулировки цепи против часовой стрелки, чтобы ослабить натяжение пильной цепи. (Для моделей с рычагом) Поверните регулятор в положение "-", чтобы ослабить натяжение пильной епи.

Рис.3

Рис.4

3. Снимите крышку звездочки.
4. Снимите цепь и шину с цепной пилы.

Чтобы установить пильную цепь, выполните следующие действия:

5. Соблюдайте направление вращения цепи. Направление вращения цепи указано стрелкой на цепи.

Рис.5

6. Оденьте один конец пильной цепи на верхнюю часть направляющей шины, а другой конец цепи на звездочку.
7. Установите направляющую шину на цепную пилу.
8. Выровняйте регулятор натяжения с отверстием направляющей шины.

Рис.6

9. Удерживая направляющую шину, вращайте винт регулировки цепи/регулятор, чтобы отрегулировать натяжение цепи.
10. Установите крышку звездочки так, чтобы крюки находились вдоль отверстий, а штифт вошел в зацепление с ответной деталью на крышке звездочки.

Рис.7

11. Зафиксируйте крышку звездочки.

Рис.8

Рис.9

Регулирование натяжения пильной цепи

После многочасового использования пильная цепь может ослабнуть. Перед использованием периодически проверяйте натяжение цепи.

1. Немного ослабьте крышку звездочки.
2. Слегка приподнимите конец направляющей шины.
3. Верните винт регулировки/регулятор для регулировки натяжения пильной цепи.

Рис.10

Рис.11

4. Натягивайте пильную цепь до тех пор, пока нижняя сторона цепи пилы не войдет в паз направляющей шины (см. в круге).
5. По окончании регулировки натяжения цепи затяните крышку звездочки, придерживая направляющую шину. Убедитесь, что пильная цепь не провисает с нижней стороны.

Убедитесь, что пильная цепь плотно посажена с нижней стороны шины.

⚠️ ПРЕДУПРЕЖДЕНИЕ:

- Не перетягивайте пильную цепь. Слишком сильное натяжение пильной цепи может привести к ее разрыву, износу направляющей шины и поломке ручки регулировки.
- Слишком слабо натянутая цепь может соскочить с шины, что создаст риск получения травмы.
- Процедуру установки и снятия пильной цепи необходимо осуществлять в чистом месте, где нет опилок или других инородных предметов.

Подсоединение удлинительного шнура

⚠️ ПРЕДУПРЕЖДЕНИЕ:

- Убедитесь, что удлинительный шнур отсоединен от розетки.

Рис.12

При подключении удлинительного шнура закрепите его на шнуре цепной пилы с помощью фиксатора. Подсоедините фиксатор на расстоянии 100 - 200 мм от разъема удлинительного шнура. Это поможет предотвратить случайное отсоединение.

ЭКСПЛУАТАЦИЯ

⚠️ ПРЕДУПРЕЖДЕНИЕ:

- Во время работы крепко удерживайте инструмент правой рукой за заднюю ручку, а левой – за переднюю ручку.

Действие выключателя

Рис.13

⚠️ ПРЕДУПРЕЖДЕНИЕ:

- Перед проверкой функций куркового выключателя обязательно убедитесь, что инструмент выключен и отсоединен от сети.
- Перед включением инструмента в розетку, всегда проверяйте, что триггерный переключатель работает надлежащим образом и возвращается в положение "ВЫКЛ", если его отпустить.

Для предотвращения случайного включения курковый выключатель оборудован кнопкой разблокировки.

Для включения инструмента нажмите кнопку разблокировки и нажмите на курковый выключатель.

Для выключения инструмента отпустите курковый выключатель.

Смазка

⚠️ ПРЕДУПРЕЖДЕНИЕ:

- Перед смазкой пильной цепи обязательно убедитесь, что инструмент выключен, и его вилка выключена из розетки.

Рис.14

Смазывайте пильную цепь и направляющую шину биологически разлагаемым маслом для цепных пил с добавкой, улучшающей сцепление. Добавка, улучшающая сцепление, не позволит пильной цепи слишком быстро разбрызгивать его. Не следует использовать минеральные масла, так как они негативно воздействуют на окружающую среду.

⚠️ ПРЕДУПРЕЖДЕНИЕ:

- Не допускайте попадания масла на кожу и в глаза. Попадание в глаза приводит к их раздражению. В случае попадания масла в глаза, немедленно промойте их чистой водой и сразу же обратитесь к врачу.

- Никогда не используйте отработанное масло. Отработанное масло содержит канцерогенные вещества. Загрязнения, содержащиеся в отработанном масле, приводят к ускоренному износу масляного насоса, шины и цепи. Обработанное масло негативно воздействует на окружающую среду.
- При первой заливке масла в цепную пилу или при его добавлении после полного опорожнения емкости, заливайте масло до нижнего края заливной горловины. В противном случае, подача масла может быть нарушена.

Рис.15

Для долива масла выполните следующие действия:

1. Тщательно очистите место около крышки маслосливной горловины, чтобы предотвратить попадание грязи в маслобак.
2. Отверните крышку маслосливной горловины и долейте масло до нижнего края горловины.
3. Плотно закрутите крышку маслосливной горловины.
4. Тщательно вытрите любые потеки масла.

Примечание:

- Когда цепная пила используется впервые, может потребоваться до двух минут для начала смазки маслом механизмов цепной пилы. Дайте пиле поработать без нагрузки до момента появления смазки (см. раздел "ПРОВЕРКИ").

ПРОВЕРКИ

Перед началом работы выполните следующие проверки:

Проверка натяжения цепи

⚠️ ПРЕДУПРЕЖДЕНИЕ:

- Перед проверкой натяжения цепи всегда выключайте вилку из розетки и надевайте перчатки.

(Для моделей с гайками)

Рис.16

(Для моделей с рычагом)

Рис.17

Убедитесь, что пильная цепь плотно посажена с нижней стороны шины (см. в круге).

Чаще проверяйте натяжение цепи, так как новые цепи вытягиваются.

Слишком сильное натяжение пильной цепи может привести к ее разрыву, износу направляющей шины и поломке ручки регулировки.

Слишком слабо натянутая цепь может соскочить с шины, что создаст риск получения травмы.

Если цепь натянута слишком слабо: Обратитесь к разделу "Регулирование натяжения цепи" и соответствующим образом отрегулируйте натяжение пильной цепи.

Проверка включения

⚠️ ПРЕДУПРЕЖДЕНИЕ:

Перед включением инструмента в розетку, всегда проверяйте, что триггерный переключатель работает надлежащим образом и возвращается в положение "ВЫКЛ", если его отпустить.

Для предотвращения случайного включения курковый выключатель оборудован кнопкой разблокировки.

Для включения инструмента нажмите кнопку разблокировки и нажмите на курковый выключатель. Для выключения инструмента отпустите курковый выключатель.

Не давите сильно на курковый выключатель, не нажав кнопку разблокировки. Это может привести к поломке выключателя.

Проверка тормоза цепи

Примечание:

- Если цепная пила не запускается, проверьте, отпущен ли тормоз цепи. Для выключения тормоза цепи потяните ограждение руки назад до зацепления.

Рис.18

Рис.19

Проверьте тормоз цепи следующим образом:

1. При включении держите цепную пилу двумя руками. Правой рукой возьмитесь за заднюю ручку, а левой – за переднюю. Убедитесь, что шина и цепь не касаются других предметов.
2. Сначала нажмите на блокирующую кнопку, а затем на курковый выключатель. Цепная пила запустится незамедлительно.
3. Тыльной стороной руки нажмите на переднее ограждение руки вперед. Убедитесь, что пильная цепь сразу же остановилась.

⚠️ ПРЕДУПРЕЖДЕНИЕ:

- Если пильная цепь не остановилась сразу, эксплуатация пилы запрещена. Обратитесь в авторизованный сервисный центр Makita.

Проверка тормоза для нерабочего состояния

Включите цепную пилу.

Полностью отпустите курковый выключатель. Убедитесь, что пильная цепь остановилась в течение секунды.

⚠️ ПРЕДУПРЕЖДЕНИЕ:

- Если пильная цепь не остановилась сразу, эксплуатация пилы запрещена. Обратитесь в авторизованный сервисный центр Makita.

Проверка устройства смазки цепи

Перед началом работ проверьте уровень масла в бачке и подачу масла.

Уровень масла можно посмотреть в смотровом окошке, показанном на рисунке.

Рис.20

Проверьте подачу масла следующим образом:

Включите цепную пилу.

Подержите работающую пилу на расстоянии около 15 см над бревном или землей. При нормальной работе системы смазки разбрызгивание масла приведет к возникновению небольших следов.

Следите за направлением ветра, чтобы вы сами не попали под брызги масла.

⚠ ПРЕДУПРЕЖДЕНИЕ:

- Если следы масла отсутствуют, не пользуйтесь пилой. В противном случае срок службы цепи значительно сократится. Проверьте уровень масла. Почистите канал подачи масла и отверстие подачи масла в шине (обратитесь к разделу "ОБСЛУЖИВАНИЕ").

Регулировка смазки цепи

Рис.21

Скорость подачи масла насосом можно корректировать винтом регулировки.

ВЫПОЛНЕНИЕ РАБОТ С ЦЕПНОЙ ПИЛОЙ

⚠ ПРЕДУПРЕЖДЕНИЕ:

- Всегда используйте переднюю и заднюю ручки; во время работы крепко держите инструмент за них.
- Обязательно фиксируйте бревно, подлежащее резке – в противном случае фрагменты материала могут стать причиной травмы.

Раскряжевка

Рис.22

При раскряжевке установите зубчатый упор на распиливаемом бревне, как показано на рисунке.

При работающей пиле сделайте запил, используя заднюю ручку для подъема пилы и переднюю рукоятку для ее направления. Используйте зубчатый упор как точку поворота.

Продолжите пиление, прилагая небольшое усилие к передней ручке и немного ослабляя заднюю часть пилы. Переместите зубчатый упор в бревне дальше вниз и снова поднимите переднюю ручку.

При выполнении нескольких распилов выключайте пилу между выполнением распилов.

⚠ ПРЕДУПРЕЖДЕНИЕ:

- Если для распиливания используется верхний край шины, цепная пила может выгнуться в вашем направлении, если цепь пилы закинется. Во избежание этого выполняйте пиление нижним краем шины, чтобы пила изгибалась в сторону от вашего тела.

Рис.23

Древесина, на которую воздействует давление, должна сначала распиливаться со стороны воздействия давления (А). Окончательный распил

выполняется со стороны возникновения растяжения (В). Такой способ пиления позволит избежать зажима шины.

Рис.24

Обрезка сучьев

⚠ ПРЕДУПРЕЖДЕНИЕ:

- Обрезка сучьев должна выполняться только опытными рабочими. При обрезке сучьев существует риск возникновения отдачи.

При обрезке сучьев, при возможности, используйте ствол в качестве опоры. Не пилите концом шины, так как это приведет к возникновению риска отдачи.

Особое внимание обращайте на ветки, находящиеся в напряженном состоянии. Не пилите снизу ветки, не имеющие опоры.

Во время раскряжевки не стойте на поваленном бревне.

Врезка и пиление параллельно волокнам

⚠ ПРЕДУПРЕЖДЕНИЕ:

- Врезка и пиление параллельно волокнам могут выполняться только лицами, прошедшими специальное обучение. Возможность возникновения отдачи может привести к травме.

Рис.25

Пиление параллельно волокнам должно выполняться под минимальным углом. Пилите как можно аккуратней, так как использование зубчатого упора невозможно.

Валка леса

⚠ ПРЕДУПРЕЖДЕНИЕ:

- Валка леса должна выполняться только опытными рабочими. Эта работа очень опасна. Если вы хотите спилить дерево, соблюдайте местные нормативные требования.

Рис.26

- Перед началом работ по валке леса убедитесь, что:
 - (1) В непосредственной близости от места работ находится только персонал, связанный с работами по валке;
 - (2) Любые лица, связанные с выполнением валки, имеют свободный путь отхода в пределах угла в 45° в каждую сторону от оси падения дерева. Рассмотрите вероятность возникновения дополнительного риска от падения дерева на электрические провода;
 - (3) Комель дерева в месте его пиления не имеет инородных предметов, корней и веток;
 - (4) В том направлении, куда будет падать дерево, люди или предметы находятся на расстоянии, в 2,5 раза превышающем высоту спиливаемого дерева.

- При спиливании каждого дерева следует также учитывать следующие факторы:
 - Направление наклона;
 - Наличие оторванных или сухих ветвей;
 - Высоту дерева;
 - Естественный свес;
 - Является ли дерево гнилым или нет.
- Учитывайте скорость и направление ветра. Не спиливайте деревья при сильных порывах ветра.
- Обрезка корневых наплывов: Начинайте с самых больших наплывов. Сначала сделайте вертикальный запил и затем горизонтальный.

Рис.27

- Выполнение запила: Запил определяет направление падения дерева и помогает этому. Он делается с той стороны, куда будет падать дерево. Делайте запил как можно ближе к поверхности земли. Сначала сделайте горизонтальный запил на глубину 1/5-1/3 диаметра бревна. Не делайте его слишком широким. Затем сделайте диагональный запил.
- При необходимости исправьте запил по всей его ширине.

Рис.28

- Сделайте задний рез немного выше основания запила. Задний рез должен быть точно горизонтальным. Оставьте около 1/10 диаметра дерева между задним резом и запилом. Волокна древесины в нераспиленной части дерева будут действовать как шарнир. Ни при каких обстоятельствах не пропиливайте волокна до конца, так как это приведет к неуправляемому падению дерева. Своевременно вставьте клинья в задний рез.
- Для сохранения зазора заднего реза следует использовать только пластиковые или алюминиевые клинья. Использование железных клиньев запрещено.
- Стойте сбоку от падающего дерева. Обеспечьте наличие свободного участка сзади падающего дерева в пределах угла в 45° в каждую сторону от оси падения дерева (см. рисунок "Площадь вырубki"). Обращайте внимание на падающие ветви.
- До начала работ необходимо предусмотреть и расчистить (при необходимости) маршрут аварийного покидания территории. Он должен проходить назад и по диагонали от предполагаемой линии валки как показано на рисунке.

Рис.29

ТЕХОБСЛУЖИВАНИЕ

⚠ПРЕДУПРЕЖДЕНИЕ:

- Перед проверкой или проведением техобслуживания убедитесь, что инструмент выключен, а штекер отсоединен от розетки.
- При выполнении осмотра или обслуживания всегда надевайте перчатки.
- Запрещается использовать бензин, лигроин, растворитель, спирт и т.п. Это может привести к изменению цвета, деформации и появлению трещин.

Выполняйте приведенные ниже работы по обслуживанию с регулярными интервалами. Гарантийные претензии будут приниматься только в случае регулярного и точного выполнения этих действий по обслуживанию.

Пользователь может выполнять только те работы по обслуживанию, которые приведены в настоящем руководстве. Любые другие работы должны выполняться авторизованными сервисными центрами MAKITA.

Чистка цепной пилы

Регулярно чистите цепную пилу чистой ветошью. В частности, ручки не должны быть замаслены маслом.

Проверка пластикового корпуса

Регулярно проводите визуальный контроль всех деталей корпуса. В случае повреждения деталей немедленно отремонтируйте их в авторизованных сервисных центрах MAKITA.

Заточка пильной цепи

⚠ПРЕДУПРЕЖДЕНИЕ:

- При выполнении каких-либо работ на пильной цепи всегда вытаскивайте вилку из розетки и надевайте защитные очки.

Рис.30

Выполните заточку цепи в следующих случаях:

- При пилении влажной древесины образуются рыхлые опилки;
- Цепь с трудом входит в древесину, даже при значительном усилии на пилу;
- Края распилы имеют явные повреждения;
- Пилу при пилении тянет влево или вправо. Причиной этого является неравномерная заточка цепи или ее повреждение только с одной стороны.

Выполняйте заточку цепи достаточно часто, но при этом снимайте только небольшое количество металла.

Для заточки пилы при проведении повседневного ухода обычно достаточно двух или трех проходов напильником. После нескольких заточек заточите пильную цепь в авторизованном сервисном центре MAKITA.

Требования к заточке:

- Длина всех зубьев должна быть одинаковой. Зубья разной длины будут затруднять плавное движение цепи и могут привести к ее разрыву.
- Не затачивайте цепь, длина зубьев которой достигла 3 мм. В этом случае необходимо установить новую цепь.
- Толщина цепи определяется расстоянием между глубиномером (круглый выступ) и режущей кромкой.
- Наилучшие результаты достигаются, при соблюдении расстояния между режущей кромкой и глубиномером.

Полотно цепной пилы 91PX: 0,65 мм

Рис.31

⚠ПРЕДУПРЕЖДЕНИЕ:

- Слишком большое расстояние повышает риск возникновения отдачи.
- Угол заточки в 30° должен соблюдаться на всех зубьях. Разница в углах заточки может привести к резкому, неравномерному движению цепи, ускоренному износу и к разрыву цепи.
- Угол боковой пластины реза определяется по глубине проникновения круглого напильника. При правильном использовании указанного напильника правильный угол боковой пластины получается автоматически.
- Угол боковой пластины реза для каждой пильной цепи:

Полотно цепной пилы 91PX: 80°

Рис.32

Напильник и заточка напильником

- Для заточки цепей пилы используйте специальный круглый напильник (дополнительная принадлежность). Обычные круглые напильники для заточки цепей не подходят.
- Диаметр круглого напильника для каждой пильной цепи:
Полотно цепной пилы 91PX: 4,0 мм
- Напильник должен стачивать зуб только при движении вперед. При перемещении напильника назад приподнимайте его над зубьями.
- Сначала наточите самый короткий зуб. Длина этого зуба будет служить ориентиром для остальных зубьев пильной цепи.

Рис.33

- Направляйте напильник как показано на рисунке.
- При использовании держателя напильника (дополнительная принадлежность) направлять напильник будет значительно легче. Держатель напильника имеет метки для правильного угла

заточки в 30° (совместите метки параллельно с цепью пилы) и ограничивает глубину проникновения (до 4/5 диаметра напильника).

Рис.34

- После заточки цепи проверьте высоту глубиномера, используя для этого измерительный инструмент для цепи (дополнительная принадлежность).

Рис.35

- Удалите любые, даже небольшие, выступы материала при помощи специального плоского напильника (дополнительное приспособление).
- Закруглите еще раз переднюю часть глубиномера.

Чистка шины и смазка возвратной звездочки

⚠ПРЕДУПРЕЖДЕНИЕ:

- При выполнении этой работы всегда надевайте защитные перчатки. Заусенцы могут привести к травме.

Рис.36

Регулярно проверяйте поверхности скольжения шины на предмет отсутствия повреждений. Почистите, используя соответствующий инструмент, и при необходимости удалите заусенцы.

Если цепная пила используется часто, смазывайте подшипник, как минимум, раз в неделю. Перед тем как нанести свежую смазку, тщательно почистите отверстие диаметром 2 мм на конце шины и затем нанесите туда небольшое количество универсальной смазки (дополнительная принадлежность).

Чистка масляного канала

Рис.37

- Регулярно чистите канал подачи масла и отверстие подачи масла в шине.

Новые пильные цепи

Используйте поочередно две или три пильные цепи для того, чтобы цепь, звездочка и поверхности скольжения шины изнашивались равномерно.

При замене цепи переворачивайте шину, чтобы канал шины изнашивался равномерно.

⚠ПРЕДУПРЕЖДЕНИЕ:

- Используйте только цепи и шины, одобренные для этой модели пилы (см. раздел "ТЕХНИЧЕСКИЕ ХАРАКТЕРИСТИКИ").

Рис.38

Перед установкой новой цепи проверьте состояние звездочки.

⚠ ПРЕДУПРЕЖДЕНИЕ:

- Изношенная звездочка приведет к повреждению новой пильной цепи. Во избежание этого замените звездочку.

При замене звездочки всегда устанавливайте новое стопорное кольцо.

Обслуживание цепи и тормозов нерабочего состояния пилы

Тормозные системы являются очень важными устройствами обеспечения безопасности. Как и другие компоненты цепной пилы, они в определенной степени подвержены износу. Регулярно проверяйте их в авторизованных сервисных центрах МАКИТА. Эта мера призвана обеспечить вашу собственную безопасность.

Замена угольных щеток

Рис.39

Регулярно вынимайте и проверяйте угольные щетки. Заменяйте их, если они изношены до ограничительной отметки. Содержите угольные щетки в чистоте и в свободном для скольжения в держателях положении. При замене необходимо менять обе угольные щетки одновременно. Используйте только одинаковые угольные щетки.

Рис.40

Используйте отвертку для снятия крышек щеткодержателей. Извлеките изношенные угольные щетки, вставьте новые и закрутите крышки щеткодержателей.

После замены щеток подключите инструмент к сети; чтобы щетки притерлись, включите инструмент и дайте ему поработать без нагрузки в течение 10 минут.

Хранение инструмента

Биологически разлагаемое масло для цепных пил может храниться только ограниченное время. Через два года после изготовления биологические масла начинают приобретать адгезивные качества, что может привести к поломке масляного насоса и компонентов системы смазки.

- Перед длительным хранением пилы опорожните масляный бачок и заполните его небольшим количеством моторного масла (SAE 30).
- На короткое время запустите пилу для удаления всех остатков биологического масла из бачка, системы смазки и механизма пилы.

Примечание:

- В первое время хранения цепной пилы небольшое количество масла для смазки цепь может вытечь. Это нормальное явление и не свидетельствует о неисправности.

Храните цепную пилу на соответствующей поверхности.

Перед последующей эксплуатацией цепной пилы заполните емкость для смазки цепи маслом ВІОТОР. Для обеспечения БЕЗОПАСНОСТИ и НАДЕЖНОСТИ оборудования ремонт, любое другое техобслуживание или регулировку необходимо производить в уполномоченных сервис-центрах Makita, с использованием только сменных частей производства Makita.

ПОИСК И УСТРАНЕНИЕ НЕИСПРАВНОСТЕЙ

Прежде чем обращаться по поводу ремонта, проведите осмотр самостоятельно. Если обнаружена неисправность, не указанная в руководстве, не пытайтесь разобрать инструмент. Вместо этого обратитесь в авторизованные сервисные центры Makita.

Неисправность	Возможные причины	Способ устранения
Цепная пила не включается.	Отсутствует электропитание.	Подключите инструмент к источнику питания. Проверьте источник питания.
	Дефектный кабель.	Немедленно прекратите эксплуатацию инструмента и обратитесь в местный авторизованный сервисный центр.
	Неисправность инструмента.	Немедленно прекратите эксплуатацию инструмента и обратитесь в местный авторизованный сервисный центр.
Цепь не движется.	Включен тормоз цепи.	Отпустите тормоз цепи.
Недостаточная мощность.	Угольная щетка изношена.	Обратитесь в местный авторизованный центр для ремонта.
Нет масла на цепи.	Маслобак пуст.	Заполните маслобак.
	Загрязнен направляющий желоб для масла.	Очистите желоб.
	Неправильно отрегулирован винт регулировки маслонасосом.	Отрегулируйте скорость подачи масла насосом.
Цепь не останавливается даже после включения тормоза цепи.	Изношена тормозная лента.	Немедленно прекратите эксплуатацию инструмента и обратитесь в местный авторизованный сервисный центр.
Сильная вибрация инструмента.	Ослабьте направляющую шину или пильную цепь.	Отрегулируйте натяжение направляющей шины и пильной цепи.
	Неисправность инструмента.	Немедленно прекратите эксплуатацию инструмента и обратитесь в местный авторизованный сервисный центр.

014314

ДОПОЛНИТЕЛЬНЫЕ ПРИНАДЛЕЖНОСТИ

⚠ ПРЕДУПРЕЖДЕНИЕ:

- Эти принадлежности или насадки рекомендуется использовать вместе с вашим инструментом Makita, описанным в данном руководстве. Использование каких-либо других принадлежностей или насадок может представлять опасность получения травм. Используйте принадлежность или насадку только по указанному назначению.

Если вам необходимо содействие в получении дополнительной информации по этим принадлежностям, свяжитесь со своим местным сервис-центром Makita.

- Пильная цепь
- Крышка направляющей шины
- Направляющая шина
- Масло для цепной пилы

Примечание:

- Некоторые элементы списка могут входить в комплект инструмента в качестве стандартных приспособлений. Они могут отличаться в зависимости от страны.

Makita Jan-Baptist Vinkstraat 2, 3070, Belgium
Makita Corporation Anjo, Aichi, Japan