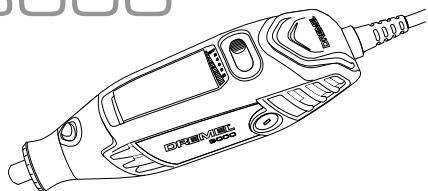
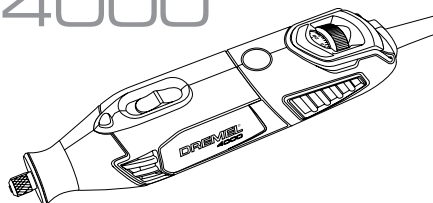


DREMEL®

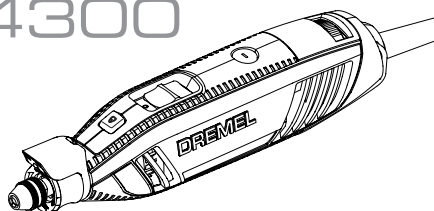
3000



4000

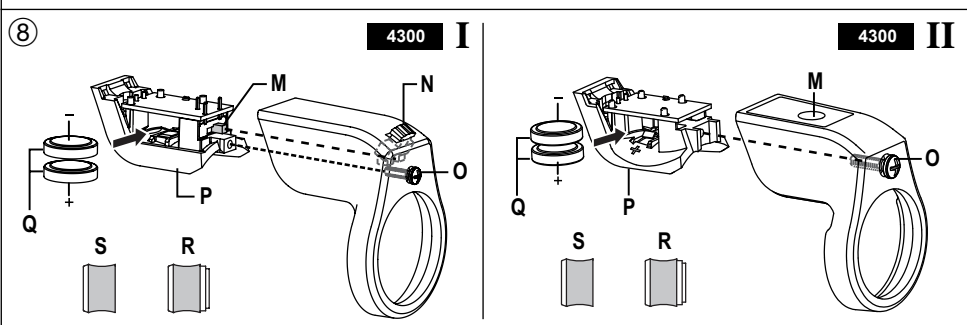
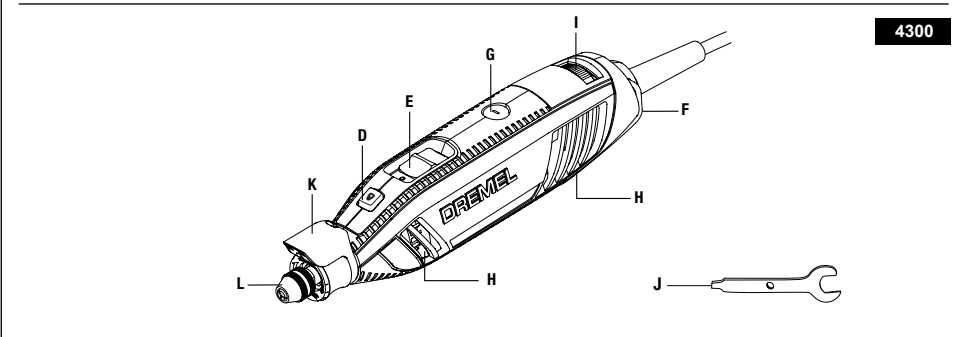
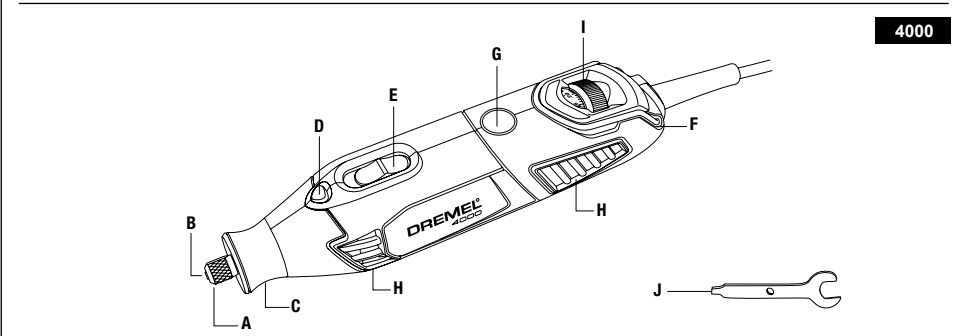
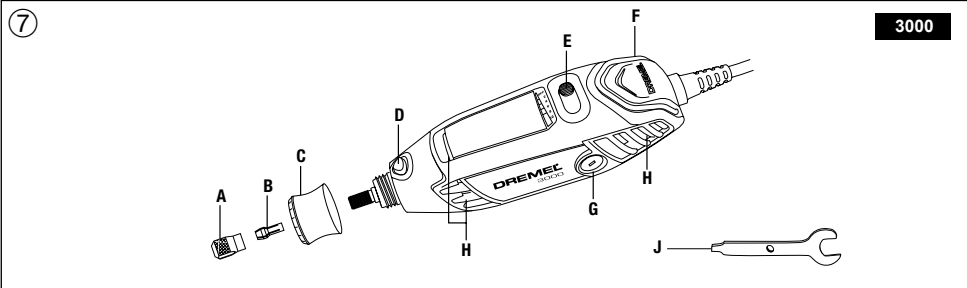
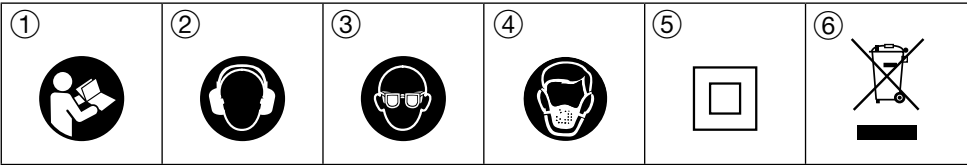


4300

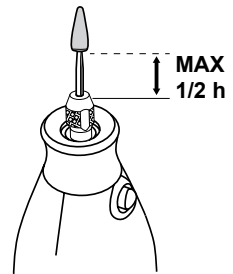
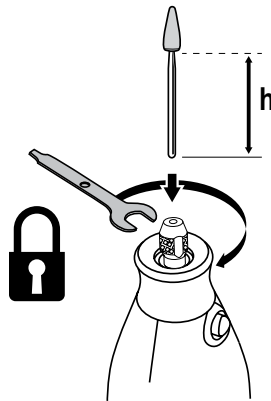
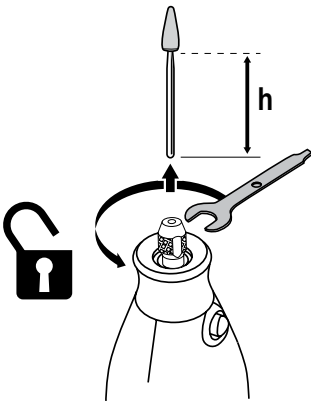
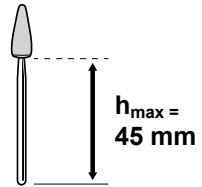
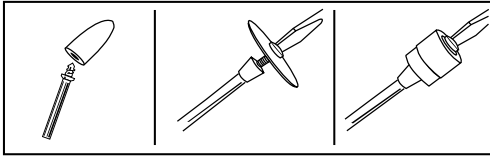
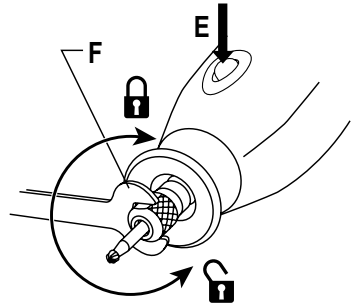
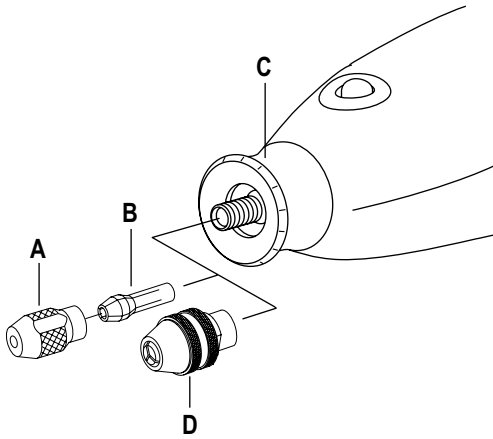


GB	Original instructions	17
RU	Перевод оригинальных инструкций	22
KZ	Түпнұсқа нұсқаулар аудармасы	32
UK	Переклад головних інструкцій	40

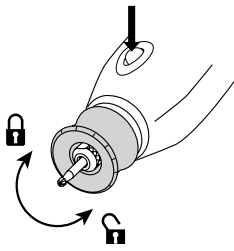
RU



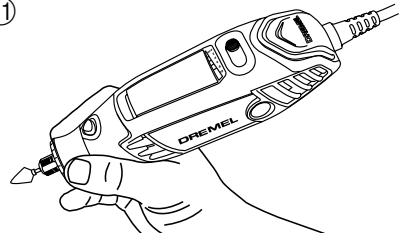
9



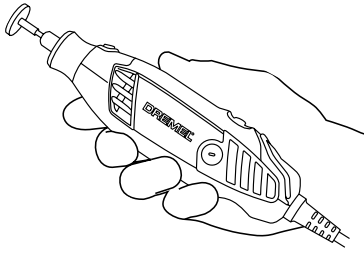
10



11

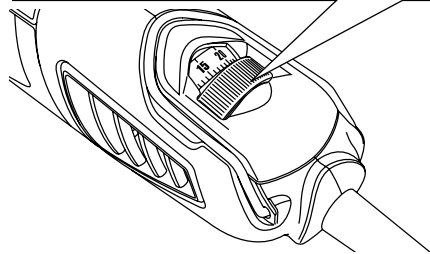


12

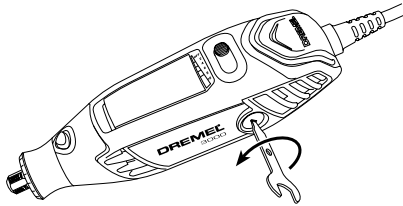


13

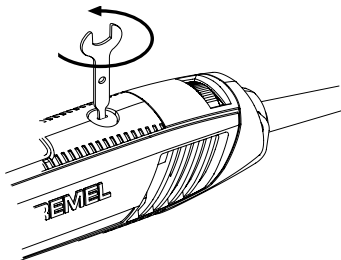
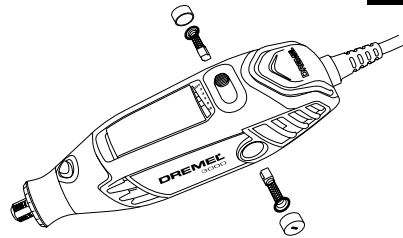
3000	RPM	4000	RPM	4300	RPM
1-2	10,000-14,000	5	5,000	5-10	5,000-10,000
3-4	15,000-19,000	10	10,000	15	13,000-17,000
5-6	20,000-23,000	15	15,000	20	18,000-23,000
7-8	24,000-28,000	20	20,000	25	23,000-27,000
9-10	29,000-33,000	25	25,000	30	28,000-32,000
		30	30,000	35	33,000-35,000
		33	33,000		



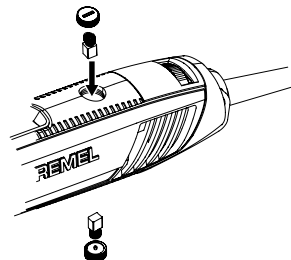
14



3000



4300

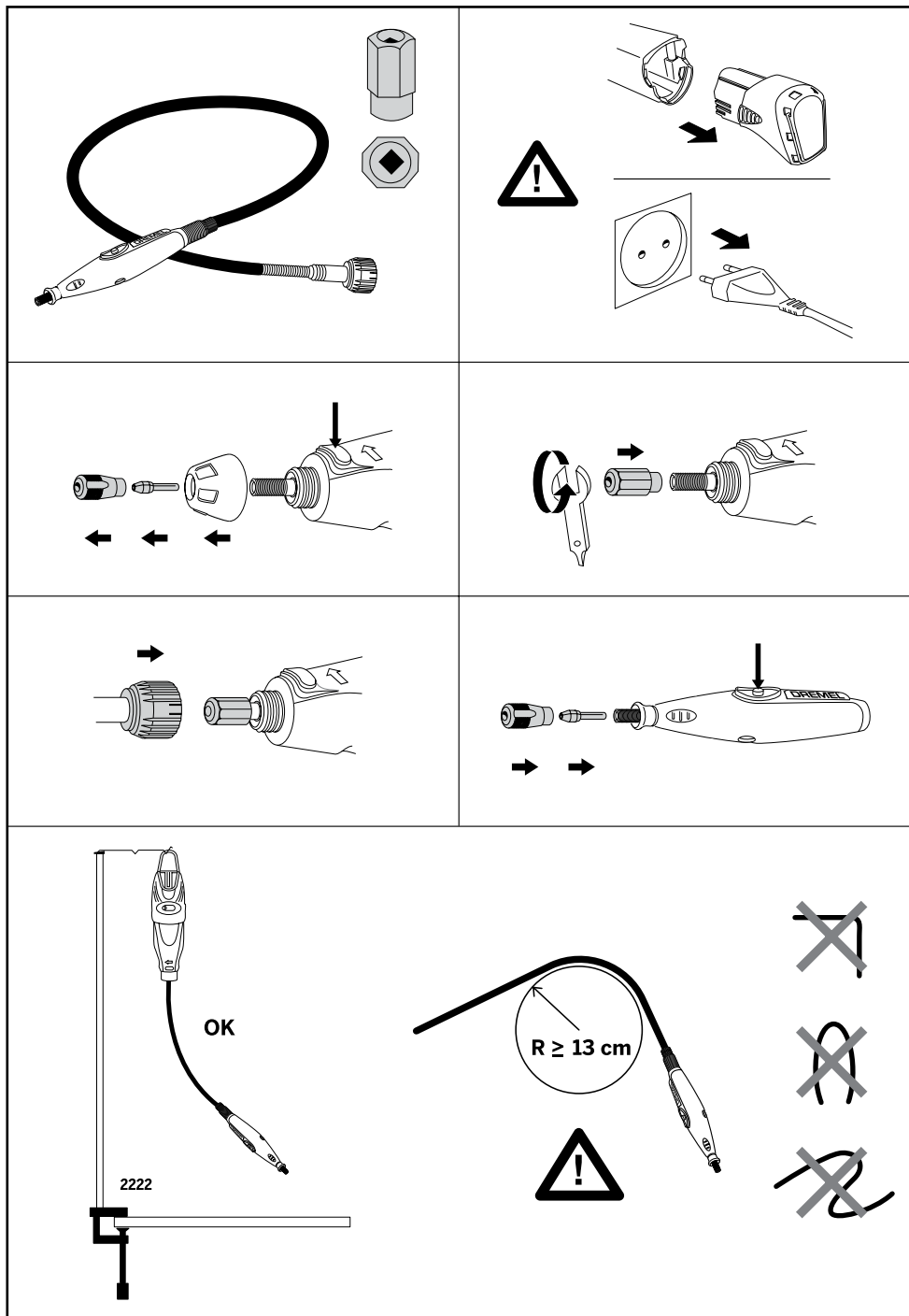


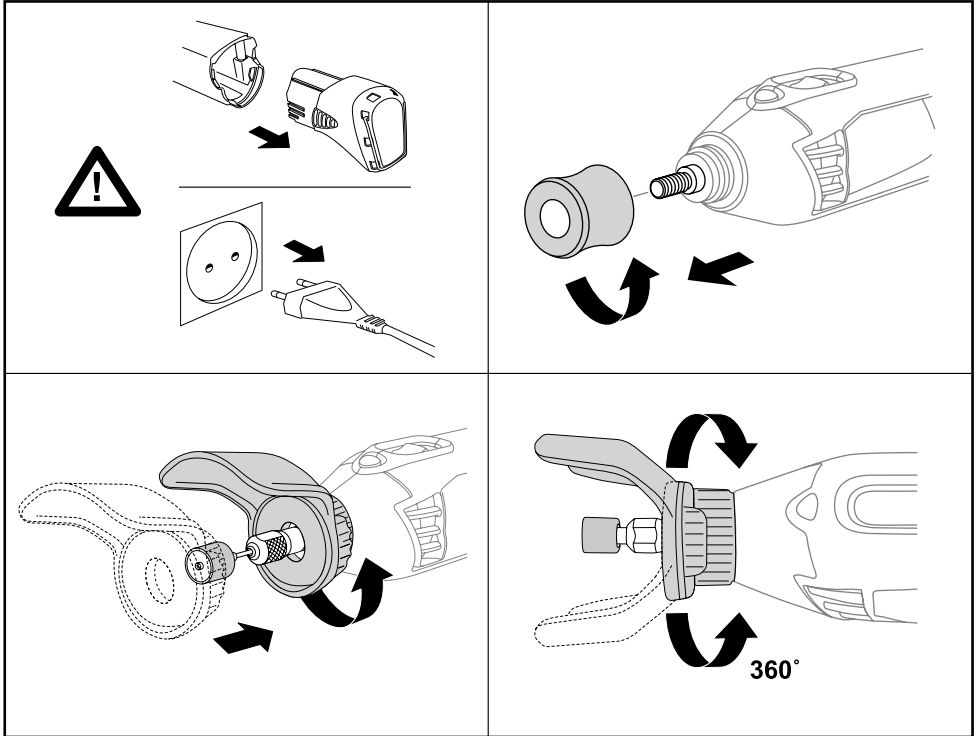


2 min

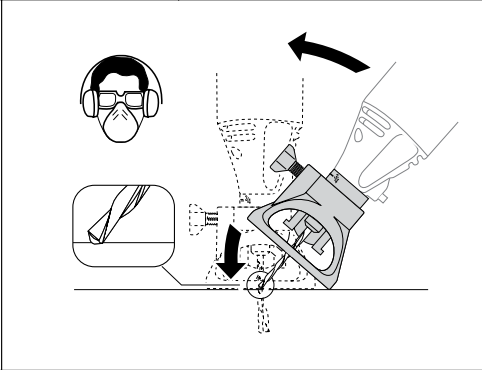
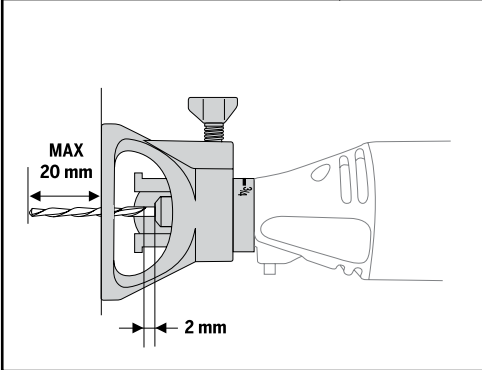
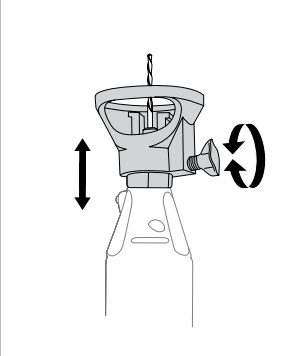
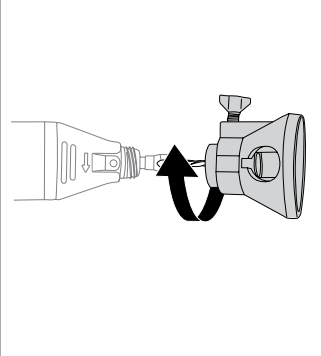
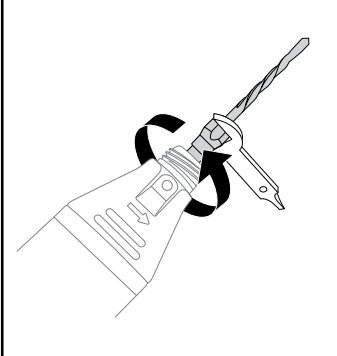
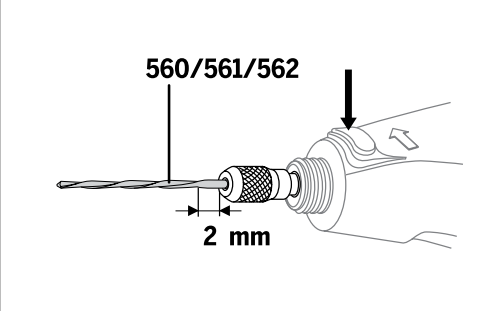
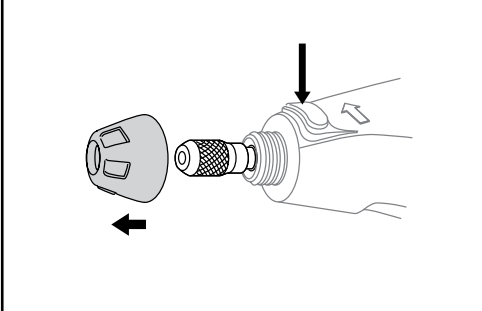
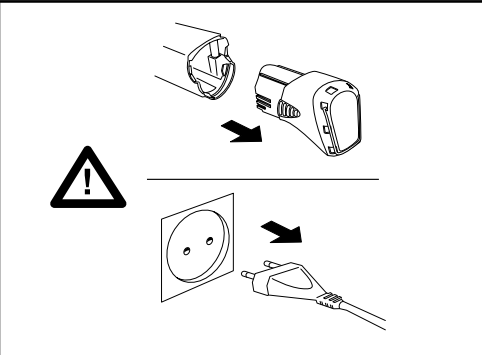
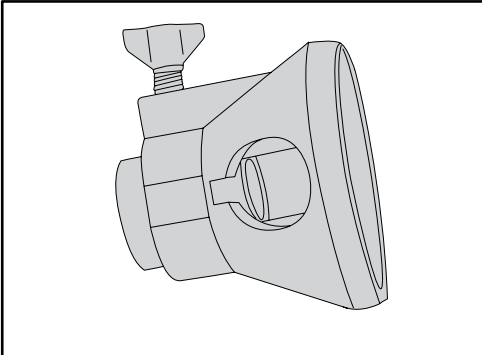


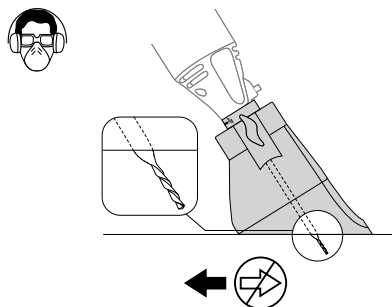
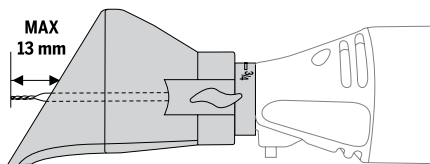
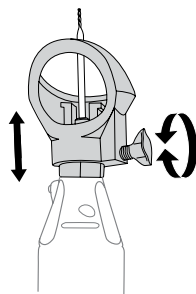
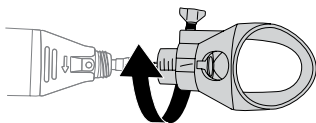
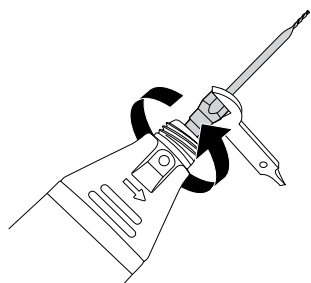
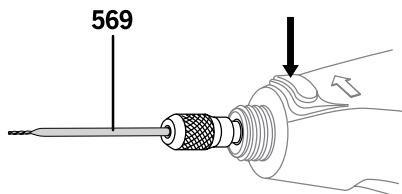
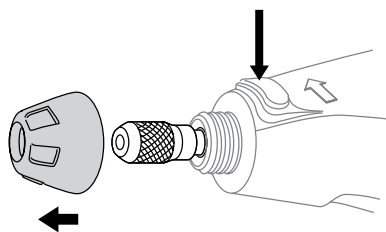
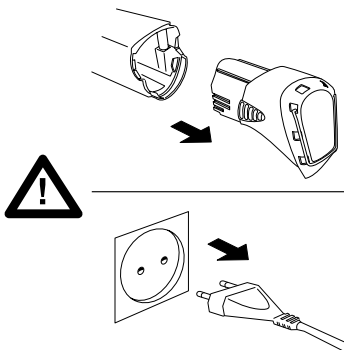
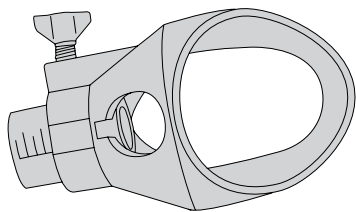
- GB** For optimum performance allow your new Flexshaft to run at high speed on your rotary tool in a vertical position for 2 minutes before use.
- RU** Начиная работать с гибким валом, рекомендуем Вам в течение 2 минут позволить приставке работать без нагрузки в вертикальном положении, после чего Вы сможете продолжить работу.
- KZ** Пайдаланбас бұрын оңтайлы жұмыс үшін жаңа икемді білікті айналымалы құралдың жоғары жылдамдығымен тік күйде 2 минут жұмыс істетіңіз.
- UK** Для максимальной продуктивности перед использованием дождьте новому гнучкому гребному валу (Flexshaft) попрацювати 2 хвилини на високій швидкості у вертикальному положенні на інструменті для роторного буріння.

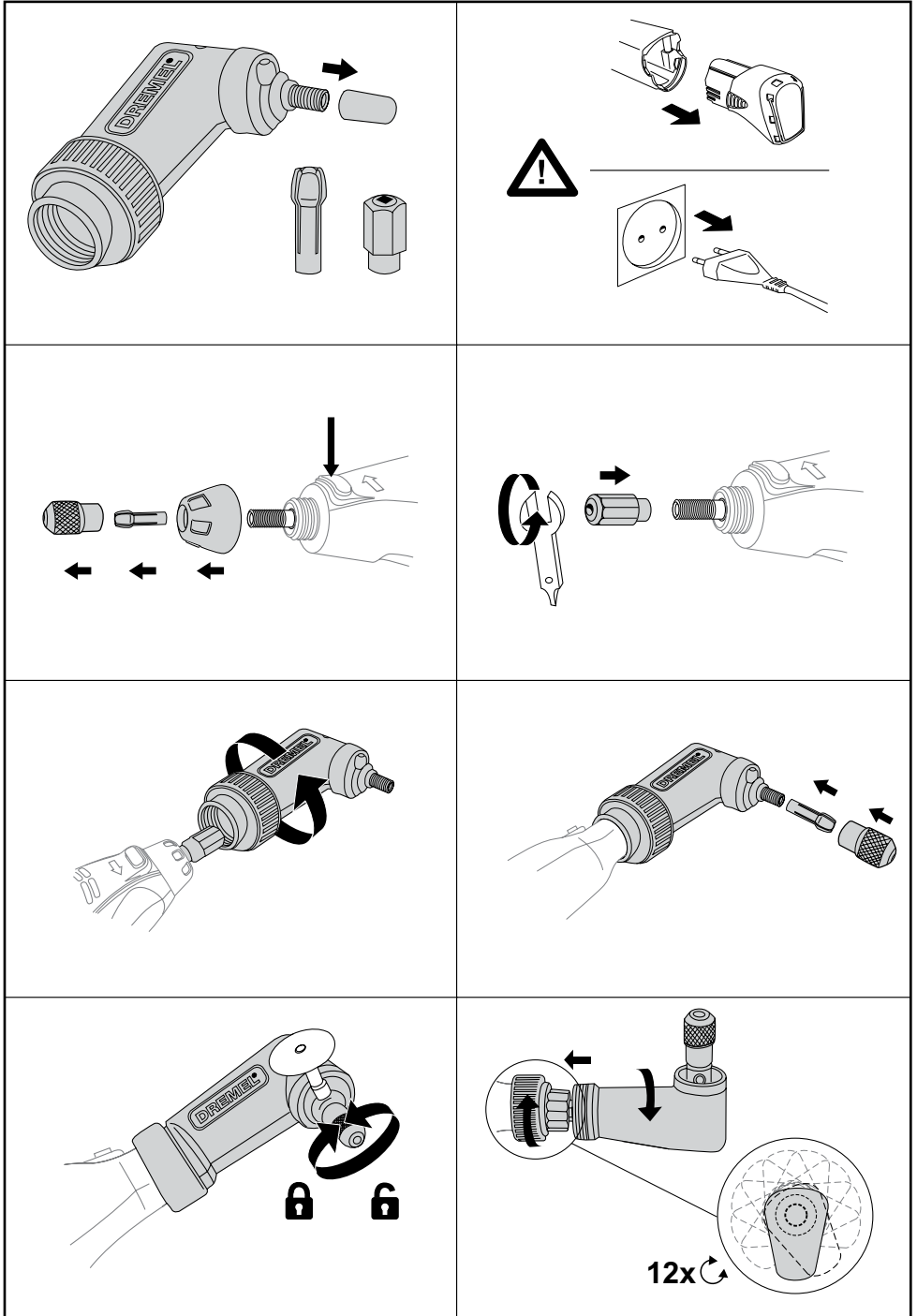




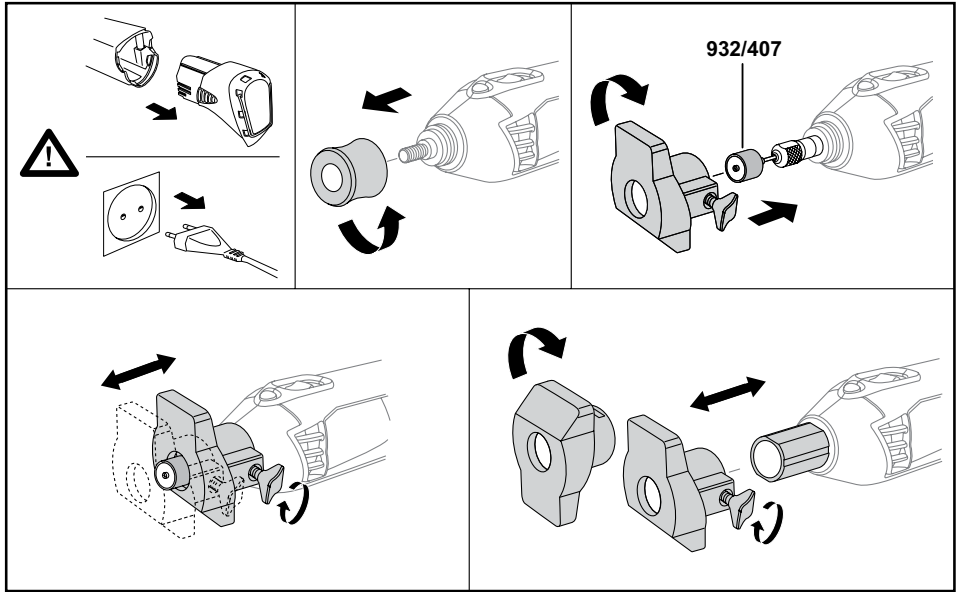
565/566



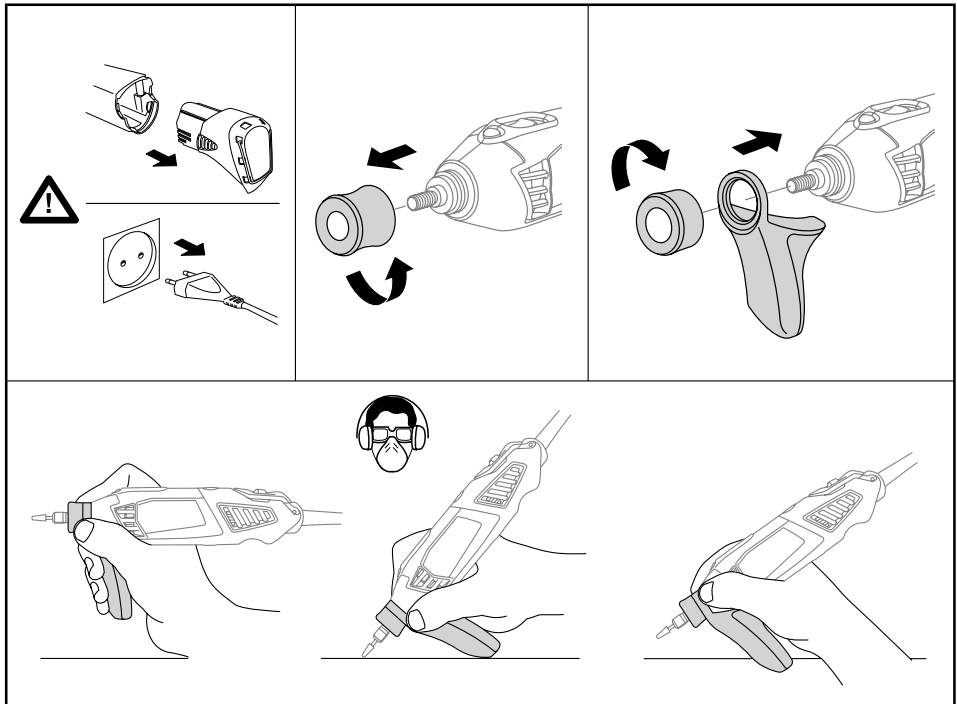


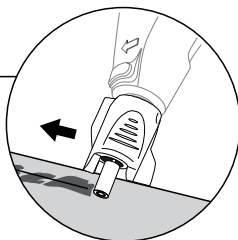
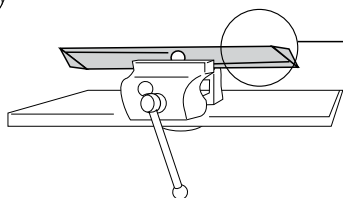
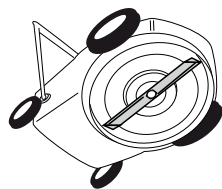
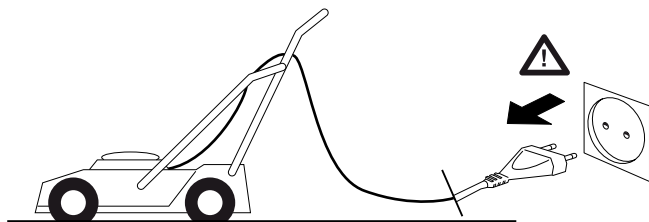
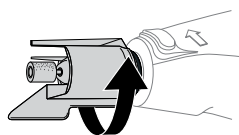
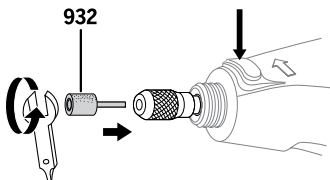
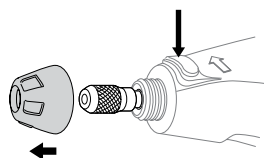
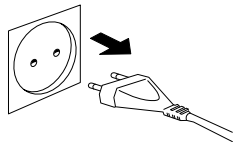
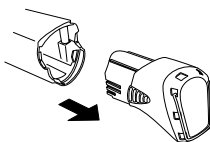
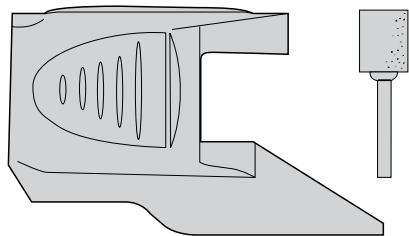


576



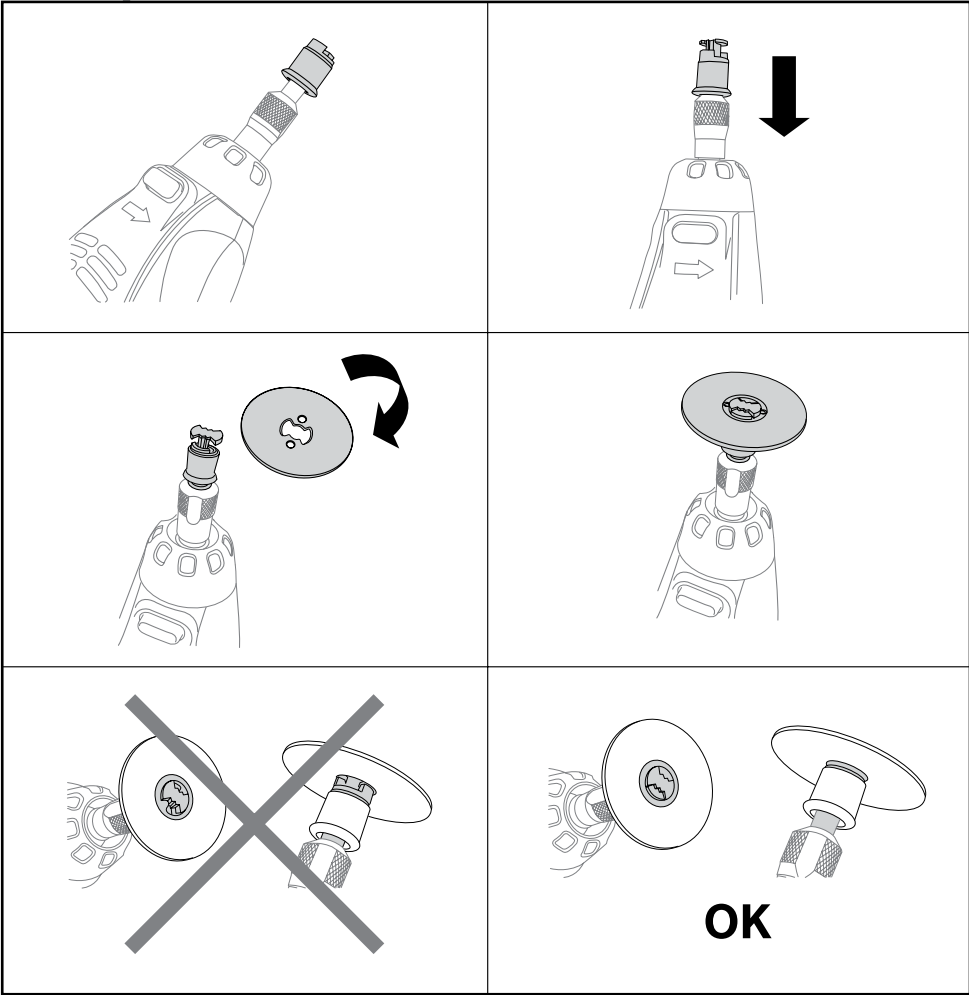
577





<p>560/561/562</p> <p>2 mm</p>		<p>3 mm</p>
	<p>ø 2-22 cm</p> <p>ø 10-30 cm</p>	
	<p>1-11 cm</p>	

EZ SpeedClic


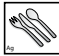
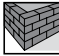
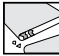



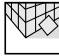

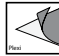
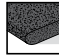





Max RPM



105-113	35.000		■	■				■			
114-199	30.000		■	■				■			
403-405	15.000						■		■	■	■
407-408	35.000		■	■			■	■	■	■	■
409	35.000	402	■	■			■	■	■	■	■
414	20.000	401					■	■	■	■	■
420	35.000	402	■	■			■	■	■	■	■
422	20.000	401					■	■	■	■	■
423S	20.000	(SC)402					■	■	■	■	■
425	20.000	402					■	■	■	■	■
426	35.000	402	■	■				■	■	■	■
428	15.000						■	■	■	■	■
429	20.000	401					■	■	■	■	■
430-438	35.000		■	■			■	■	■	■	■
442-443	15.000						■	■	■	■	■
453-457	30.000	1453					■	■	■		
462	30.000						■	■	■		
502-504	35.000		■	■			■	■	■	■	■
511S-512S	20.000	(SC)402	■	■							
516	20.000						■	■	■	■	■
520	20.000						■	■	■	■	■
530-532	15.000						■	■	■	■	■
535-537	15.000								■	■	
538	20.000						■				
540	35.000	402	■	■			■	■	■		■
542	35.000		■	■	■						
546	35.000	670	■	■							
561	35.000	565	■	■	■						
562	35.000	566									
569-570	20.000	568									
612-655	35.000	231/335	■	■							
932-997	25.000						■	■	■	■	■
4485-4486	35.000										
7103-7144	25.000							■	■	■	■
8153-8215	25.000						■	■	■	■	■
9901-9911	30.000			■			■	■	■		
9931-9936	35.000		■	■	■			■			
83322-85602	25.000										
SC406-SC456	35.000	SC402	■	■			■	■	■		■
SC476	35.000	SC402									
SC544	35.000	SC402	■	■	■						
SC545	35.000	SC402									

	Max RPM												
105-113	35.000									■	■	■	
114-199	30.000			■	■					■	■	■	
403-405	15.000	■											
407-408	35.000	■								■	■		
409	35.000	■	■	■			■			■			
414	20.000	■								■	■		
420	35.000	■	■	■			■			■			
422	20.000	■								■	■		
423S	20.000	■								■	■		
425	20.000	■								■	■		
426	35.000	■	■			■		■		■			
428	15.000	■											
429	20.000	■								■	■		
430-438	35.000	■								■	■		
442-443	15.000	■											
453-457	30.000												
462	30.000					■		■					
502-504	35.000	■								■			
511S-512S	20.000												
516	20.000	■											
520	20.000	■								■			
530-532	15.000	■											
535-537	15.000	■											
538	20.000												
540	35.000	■	■	■			■			■			
542	35.000												
546	35.000												
561	35.000				■					■	■	■	
562	35.000		■					■					
569-570	20.000							■					
612-655	35.000									■	■	■	
932-997	25.000	■											
4485-4486	35.000												
7103-7144	25.000	■					■						■
8153-8215	25.000	■											
9901-9911	30.000					■		■		■			
9931-9936	35.000							■		■		■	
83322-85602	25.000		■			■	■	■					■
SC406-SC456	35.000	■	■			■	■	■		■			
SC476	35.000									■	■		
SC544	35.000												
SC545	35.000		■			■	■	■	■				

USED SYMBOLS

- ① READ THESE INSTRUCTIONS
- ② USE HEARING PROTECTION
- ③ USE EYE PROTECTION
- ④ USE A DUST MASK
- ⑤ CLASS II CONSTRUCTED
- ⑥ DO NOT DISPOSE OF POWER TOOLS INTO HOUSEHOLD WASTE

GENERAL POWER TOOL SAFETY WARNINGS

WARNING READ ALL SAFETY WARNINGS AND ALL INSTRUCTIONS

Failure to follow the warnings and instructions may result in electric shock, fire and/or serious injury. Save all warnings and instructions for future reference. The term "power tool" in the warnings refers to your mains-operated (corded) power tool or battery-operated (cordless) power tool.

WORK AREA SAFETY

- a. **Keep work area clean and well lit.** *Cluttered or dark areas invite accidents.*
- b. **Do not operate power tools in explosive atmospheres, such as in the presence of flammable liquids, gases or dust.** *Power tools create sparks which may ignite the dust or fumes.*
- c. **Keep children and bystanders away while operating a power tool.** *Distractions can cause you to lose control.*

ELECTRICAL SAFETY

- a. **Power tool plugs must match the outlet. Never modify the plug in any way. Do not use any adapter plugs with earthed (grounded) power tools.** *Unmodified plugs and matching outlets will reduce risk of electric shock.*
- b. **Avoid body contact with earthed or grounded surfaces, such as pipes, radiators, ranges and refrigerators.** *There is an increased risk of electric shock if your body is earthed or grounded.*
- c. **Do not expose power tools to rain or wet conditions.** *Water entering a power tool will increase the risk of electric shock.*
- d. **Do not abuse the cord. Never use the cord for carrying, pulling or unplugging the power tool. Keep cord away from heat, oil, sharp edges or moving parts.** *Damaged or entangled cords increase the risk of electric shock.*
- e. **When operating a power tool outdoors, use an extension cord suitable for outdoor use.** *Use of a cord suitable for outdoor use reduces the risk of electric shock.*
- f. **If operating a power tool in a damp location is unavoidable, use a residual current device (RCD) protected supply.** *Use of an RCD reduces the risk of electric shock.*

PERSONAL SAFETY

- a. **Stay alert, watch what you are doing and use common sense when operating a power tool. Do not use a power tool while you are tired or under the influence of drugs, alcohol or medication. A**

moment of inattention while operating power tools may result in serious personal injury.

- b. **Use personal protective equipment. Always wear eye protection.** *Protective equipment such as dust mask, non-skid safety shoes, hard hat, or hearing protection used for appropriate conditions will reduce personal injuries.*
- c. **Prevent unintentional starting. Ensure the switch is in the off-position before connecting to power source and/or battery pack, picking up or carrying the tool. Carrying power tools with your finger on the switch or energising power tools that have the switch on invites accidents.**
- d. **Remove any adjusting key or wrench before turning the power tool on. A wrench or a key left attached to a rotating part of the power tool may result in personal injury.**
- e. **Do not overreach. Keep proper footing and balance at all times.** *This enables better control of the power tool in unexpected situations.*
- f. **Dress properly. Do not wear loose clothing or jewellery. Keep your hair, clothing and gloves away from moving parts. Loose clothes, jewellery or long hair can be caught in moving parts.**
- g. **If devices are provided for the connection of dust extraction and collection facilities, ensure these are connected and properly used. Use of dust collection can reduce dust-related hazards.**

POWER TOOL USE AND CARE

- a. **Do not force the power tool. Use the correct power tool for your application.** *The correct power tool will do the job better and safer at the rate for which it was designed.*
- b. **Do not use the power tool if the switch does not turn it on and off. Any power tool that cannot be controlled with the switch is dangerous and must be repaired.**
- c. **Disconnect the plug from the power source and/or the battery pack from the power tool before making any adjustments, changing accessories, or storing power tools.** *Such preventive safety measures reduce the risk of starting the power tool accidentally.*
- d. **Store idle power tools out of the reach of children and do not allow persons unfamiliar with the power tool or these instructions to operate the power tool.** *Power tools are dangerous in the hands of untrained users.*
- e. **Maintain power tools. Check for misalignment or binding of moving parts, breakage of parts and any other condition that may affect the power tool's operation. If damaged, have the power tool repaired before use. Many accidents are caused by poorly maintained power tools.**
- f. **Keep cutting tools sharp and clean. Properly maintained cutting tools with sharp cutting edges are less likely to bind and are easier to control.**
- g. **Use the power tool, accessories and tool bits etc. in accordance with these instructions, taking into account the working conditions and the work to be performed. Use of the power tool for operations different from those intended could result in a hazardous situation.**

SERVICE

- a. **Have your power tool serviced by a qualified repair person using only identical replacement parts.** *This will ensure that the safety of the power tool is maintained.*

SAFETY INSTRUCTIONS FOR ALL OPERATIONS

SAFETY WARNINGS COMMON FOR GRINDING, SANDING, WIRE BRUSHING, POLISHING, CARVING OR ABRASIVE CUTTING-OFF OPERATIONS

- a. This power tool is intended to function as a grinder, sander, wire brush, polisher, carving or cut-off tool. Read all safety warnings, instructions, illustrations and specifications provided with this power tool. Failure to follow all instructions listed below may result in electric shock, fire and/or serious injury.
- b. Do not use accessories which are not specifically designed and recommended by the tool manufacturer. Just because the accessory can be attached to your power tool, it does not assure safe operation.
- c. The rated speed of the grinding accessories must be at least equal to the maximum speed marked on the power tool. Grinding accessories running faster than their rated speed can break and fly apart.
- d. The outside diameter and the thickness of your accessory must be within the capacity rating of your power tool. Incorrectly sized accessories cannot be adequately controlled.
- e. The arbour size of wheels, sanding drums or any other accessory must properly fit the spindle or collet of the power tool. Accessories that do not match the mounting hardware of the power tool will run out of balance, vibrate excessively and may cause loss of control.
- f. Mandrel mounted wheels, sanding drums, cutters or other accessories must be fully inserted into the collet or chuck. If the mandrel is insufficiently held and/or the overhang of the wheel is too long, the mounted wheel may become loose and be ejected at high velocity.
- g. Do not use a damaged accessory. Before each use inspect the accessory such as abrasive wheels for chips and cracks, sanding drum for cracks, tear or excess wear, wire brush for loose or cracked wires. If power tool or accessory is dropped, inspect for damage or install an undamaged accessory. After inspecting and installing an accessory, position yourself and bystanders away from the plane of the rotating accessory and run the power tool at maximum no-load speed for one minute. Damaged accessories will normally break apart during this test time.
- h. Wear personal protective equipment. Depending on application, use face shield, safety goggles or safety glasses. As appropriate, wear dust mask, hearing protectors, gloves and workshop apron capable of stopping small abrasive or workpiece fragments. The eye protection must be capable of stopping flying debris generated by various operations. The dust mask or respirator must be capable of filtering particles generated by your operation. Prolonged exposure to high intensity noise may cause hearing loss.
- i. Keep bystanders a safe distance away from work area. Anyone entering the work area must wear personal protective equipment. Fragments of workpiece or of a broken accessory may fly away and cause injury beyond immediate area of operation.
- j. Hold power tool by insulated gripping surfaces only, when performing an operation where the cutting accessory may contact hidden wiring or its own cord. Cutting accessory contacting a "live" wire may make exposed metal parts of the power tool "live" and could give the operator an electric shock.
- k. Always hold the tool firmly in your hand(s) during

the start-up. The reaction torque of the motor, as it accelerates to full speed, can cause the tool to twist.

- l. Use clamps to support workpiece whenever practical. Never hold a small workpiece in one hand and the tool in the other hand while in use. Clamping a small workpiece allows you to use your hand(s) to control the tool. Round material such as dowel rods, pipes or tubing have a tendency to roll while being cut, and may cause the bit to bind or jump toward you.
- m. Position the cord clear of the spinning accessory. If you lose control, the cord may be cut or snagged and your hand or arm may be pulled into the spinning accessory.
- n. Never lay the power tool down until the accessory has come to a complete stop. The spinning accessory may grab the surface and pull the power tool out of your control.
- o. After changing the bits or making any adjustments, make sure the collet nut, chuck or any other adjustment devices are securely tightened. Loose adjustment devices can unexpectedly shift, causing loss of control, loose rotating components will be violently thrown.
- p. Do not run the power tool while carrying it at your side. Accidental contact with the spinning accessory could snag your clothing, pulling the accessory into your body.
- q. Regularly clean the power tool's air vents. The motor's fan will draw the dust inside the housing and excessive accumulation of powdered metal may cause electrical hazards.
- r. Do not operate the power tool near flammable materials. Sparks could ignite these materials.
- s. Do not use accessories that require liquid coolants. Using water or other liquid coolants may result in electrocution or shock.

KICKBACK AND RELATED WARNINGS

Kickback is a sudden reaction to a pinched or snagged rotating wheel, sanding band, brush or any other accessory. Pinching or snagging causes rapid stalling of the rotating accessory which in turn causes the uncontrolled power tool to be forced in the direction opposite of the accessory's rotation. For example, if an abrasive wheel is snagged or pinched by the workpiece, the edge of the wheel that is entering into the pinch point can dig into the surface of the material causing the wheel to climb out or kick out. The wheel may either jump toward or away from the operator, depending on direction of the wheel's movement at the point of pinching. Abrasive wheels may also break under these conditions. Kickback is the result of power tool misuse and/or incorrect operating procedures or conditions and can be avoided by taking proper precautions as given below.

- a. Maintain a firm grip on the power tool and position your body and arm to allow you to resist kickback forces. The operator can control kickback forces, if proper precautions are taken.
- b. Use special care when working corners, sharp edges etc. Avoid bouncing and snagging the accessory. Corners, sharp edges or bouncing have a tendency to snag the rotating accessory and cause loss of control or kickback.
- c. Do not attach a toothed saw blade. Such blades create frequent kickback and loss of control.
- d. Always feed the bit into the material in the same direction as the cutting edge is exiting from the material (which is the same direction as the chips are thrown). Feeding the tool in the wrong direction causes the cutting edge of the bit to climb out of the work and pull the tool in the direction of this feed.

- e. When using rotary files, cut-off wheels, high-speed cutters or tungsten carbide cutters, always have the work securely clamped. *These wheels will grab if they become slightly canted in the groove, and can kickback. When a cut-off wheel grabs, the wheel itself usually breaks. When a rotary file, high-speed cutter or tungsten carbide cutter grabs, it may jump from the groove and you could lose control of the tool.*

SAFETY WARNINGS SPECIFIC FOR GRINDING AND ABRASIVE CUTTING-OFF OPERATIONS

- a. Use only wheel types that are recommended for your power tool and only for recommended applications. For example: do not grind with the side of a cut-off wheel. *Abrasive cut-off wheels are intended for peripheral grinding, side forces applied to these wheels may cause them to shatter.*
- b. For threaded abrasive cones and plugs use only undamaged wheel mandrels with an unrelieved shoulder flange that are of correct size and length. *Proper mandrels will reduce the possibility of breakage.*
- c. Do not “jam” a cut-off wheel or apply excessive pressure. Do not attempt to make an excessive depth of cut. *Overstressing the wheel increases the loading and susceptibility to twisting or snagging of the wheel in the cut and the possibility of kickback or wheel breakage.*
- d. Do not position your hand in line with and behind the rotating wheel. *When the wheel, at the point of operation, is moving away from your hand, the possible kickback may propel the spinning wheel and the power tool directly at you.*
- e. When wheel is pinched, snagged or when interrupting a cut for any reason, switch off the power tool and hold the power tool motionless until the wheel comes to a complete stop. Never attempt to remove the cut-off wheel from the cut while the wheel is in motion otherwise kickback may occur. *Investigate and take corrective action to eliminate the cause of wheel pinching or snagging.*
- f. Do not restart the cutting operation in the workpiece. Let the wheel reach full speed and carefully re-enter the cut. *The wheel may bind, walk up or kickback if the power tool is restarted in the workpiece.*
- g. Support panels or any oversized workpiece to minimize the risk of wheel pinching and kickback. *Large workpieces tend to sag under their own weight. Supports must be placed under the workpiece near the line of cut and near the edge of the workpiece on both sides of the wheel.*
- h. Use extra caution when making a “pocket cut” into existing walls or other blind areas. *The protruding wheel may cut gas or water pipes, electrical wiring or objects that can cause kickback.*

SAFETY WARNINGS SPECIFIC FOR WIRE BRUSHING OPERATIONS

- a. Be aware that wire bristles are thrown by the brush even during ordinary operation. Do not overstress the wires by applying excessive load to the brush. *The wire bristles can easily penetrate light clothing and/or skin.*
- b. Allow brushes to run at operating speed for at least one minute before using them. During this time no one is to stand in front or in line with the brush. *Loose bristles or wires will be discharged during the run-in time.*
- c. Direct the discharge of the spinning wire brush away from you. *Small particles and tiny wire fragments may be discharged at high velocity during the use of these brushes and may become imbedded in your skin.*

- d. Do not exceed 15,000 RPM when using wire brushes

▲ DO NOT WORK WITH MATERIALS CONTAINING ASBESTOS (asbestos is considered carcinogenic)

▲ TAKE PROTECTIVE MEASURES WHEN DURING WORK DUST CAN DEVELOP THAT IS HARMFUL TO ONE'S HEALTH, COMBUSTIBLE OR EXPLOSIVE (some dusts are considered carcinogenic); wear a dust mask and work with dust/chip extraction when connectable

SPECIFICATIONS

Model number 3000
 Input. 130 W
 Voltage. 230 V, 50 Hz
 Speed 33,000/min
 Collet capacity. 3.2 mm
 Max. accessory Ø. 38.1 mm
 Weight 0.5 kg

Model number 4000
 Input. 175 W
 Voltage. 230-240 V, 50-60 Hz
 Speed 35,000/min
 Collet capacity. 3.2 mm
 Max. accessory Ø. 38.1 mm
 Weight 0.6 kg

Model number 4300
 Input. 175 W
 Voltage. 220-240 V, 50-60 Hz
 Speed 35,000/min
 Collet capacity. 0.8-3.4 mm
 Max. accessory Ø. 38.1 mm
 Weight 0.6 kg

Use completely unrolled and safe extension cords with a capacity of 5 Amps.
Always check that the supply voltage is the same as the voltage indicated on the nameplate of the tool.

GENERAL ⑦

- A. Collet nut
 - B. Collet
 - C. Nose cap (EZ Twist integrated wrench*)
 - D. Shaft lock button
 - E. On/Off and variable speed slide switch (3000)
 - E. On/Off switch (4000/4300)
 - F. Hanger
 - G. Brush cover
 - H. Ventilation openings
 - I. Variable speed dial (4000/4300)
 - J. Collet wrench
 - K. Light module (4300)
 - L. Dremel chuck (4300)
- *) not standard included**

LIGHT MODULE I & II (4300) ⑧

- M. On/Off switch
- N. Slider (I)
- O. Screw
- P. Battery compartment
- Q. Batteries (2 x CR1025)
- R. New style nose cap
- S. Old style nose cap

The light of this power tool is intended to illuminate the power tool's direct area of working operation and is not suitable for household room illumination.

This product contains a lithium button/coin cell battery. If a new or used lithium button/coin cell battery is swallowed or enters the body, it can cause severe internal burns and can lead to death in as little as 2 hours. Always completely secure the battery compartment. If the battery compartment does not close securely, stop using the product, remove the batteries, and keep it away from children. If you think batteries might have been swallowed or placed inside any part of the body, seek immediate medical attention.

INITIAL SET-UP

In order to use the light for the first time, you will have to remove the battery tab from the battery compartment. Pull this tab out and test the light using the switch on top. If the light does not work, use a small screwdriver to check the placement of the batteries and to check that all of the tab has been removed.

CHANGING BATTERIES

To change the batteries for the light module, begin by unscrewing the nose cap to remove the light module. Once it is removed, use a small screwdriver to loosen the screw on the battery compartment. **Do not pull the screw out completely.** Remove the battery compartment housing from the underside of the module.

Slide the old batteries out and replace with new batteries making sure to replicate the orientation of the original batteries. With the new batteries in place, replace the battery compartment housing and re-tighten the screw. **When reassembling make sure that the switch and the slider are both in the same ON (I) or OFF (O) position. This way the switch will match the 'fork' of the slider. (I)**

INSTALLATION AND USE

To install the light module on the tool, begin by unscrewing the nose cap from the end of the tool. Slide the light module onto the end of the tool with the light pointing forward. Re-tighten the nose cap on the end of the tool to squeeze the light module ring in place. *The light module will only work with the new style nose cap R that came with the tool.*

To turn the light on or off

- put the slider in ON- or OFF position (I)
- press the on/off switch (II)

To reposition the light module, simply loosen the nose cap, rotate the light module as desired, and re-tighten the nose cap.

ACCESSORIES

ALWAYS UNPLUG THE TOOL BEFORE CHANGING ACCESSORIES

Use only Dremel tested, high performance accessories. Be sure to read the instructions supplied with your Dremel accessory for further information on its use. Handle and store accessories carefully to avoid chipping and cracking.

CHANGING ACCESSORIES ⑨

- A. Collet nut
- B. Collet (3.2 mm)
- C. Nose cap (EZ Twist integrated wrench*)
- D. Dremel chuck 4486*
- E. Shaft lock button

F. Wrench *) **not standard included**

1. Press the shaft lock button and rotate the shaft by hand until it engages the shaft lock. **Do not engage the shaft lock while the tool is running.**
2. With the shaft lock engaged, loosen (do not remove) the collet nut. Use the collet wrench if necessary.
3. Insert the bit or accessory shank fully into the collet.
4. With the shaft lock engaged, tighten the collet nut.

EZ TWIST INTEGRATED WRENCH ⑩

This nose cap has an integrated wrench allowing you to loosen and tighten the collet nut without the use of the standard collet wrench.

1. Unscrew the nose cap from the tool, line-up the steel insert on inside of the cap with the collet nut.
2. With the shaft lock engaged twist nose cap counter clockwise to loosen the collet nut. **Do not engage the shaft lock while the tool is running.**
3. Insert the bit or accessory shank fully into the collet.
4. With the shaft lock engaged twist nose cap clockwise to tighten the collet nut.
5. Screw the nose cap back into its original position.

DREMEL CHUCK 4486 (4300)

The Dremel chuck allows you to quickly and easily change accessories on Dremel tools without changing collets. Accepts accessories with 0.8 - 3.2 mm shank.

To loosen, first press shaft lock button and rotate the shaft by hand until it engages the shaft lock. **Do not engage the shaft lock while the tool is running.**

With the shaft lock engaged use the wrench or the EZ Twist nose cap to loosen the chuck and open the jaws. Remove the accessory from the chuck. If necessary, continue loosening the chuck so that the new accessory fits between the jaws. Insert the new accessory into the chuck far enough so that there is approximately 6 mm between the end of the chuck and the beginning of the working part of the accessory. With the shaft lock engaged, tighten the chuck using the EZ Twist nose cap or wrench to secure the accessory.

HELPFUL TIPS WHEN USING THE DREMEL CHUCK

- The Dremel chuck and the collet and collet nut system are interchangeable on this tool. While the chuck will provide you with the best experience for changing accessories, the collet and collet nut will provide a more precise accessory holding solution especially in heavier side load applications.
- If you find the accessory slipping in the chuck, use the included EZ Twist nose cap or wrench to tighten the chuck around the bit. If further slippage persists, switch to using the collet and collet nut.
- The jaws of the chuck can become displaced causing the accessory to no longer run true and concentric (run-out).

To reset the jaws, apply the following procedure:

1. Remove the accessory from the chuck.
2. Clean the chuck.
3. Press shaft lock button and tighten the chuck until the jaws extend past the outer surface of the chuck, approximately 3 mm.
4. Push the end of the chuck firmly against a hard flat surface to be sure the jaws are all seated axially.
5. Continue to hand tighten the chuck until the jaws completely close.
6. Loosen the chuck, and reinsert a straight accessory.
7. Turn the tool by hand and observe if there is any runout. If there is obvious run-out, repeat the procedure.
8. **With the shaft lock engaged, tighten the chuck**

using the EZ Twist nose cap or wrench to secure the accessory.

- Turn the tool on to the lowest speed setting and observe for run-out. If there is obvious run-out, check that the accessory is straight before repeating the procedure.

BALANCING ACCESSORIES

For precision work, it is important that all accessories be in good balance (much the same as the tires on your automobile). To true up or balance an accessory, slightly loosen collet nut and give the accessory or collet a 1/4 turn. Re tighten collet nut and run the rotary tool. You should be able to tell by the sound and feel if your accessory is running in balance. Continue adjusting in this fashion until best balance is achieved.

ATTACHMENTS

The Dremel tool can be equipped with the following attachments for expanding its functionality:

- Flexible shaft *) for precise, detailed work or hard-to-reach places (225 - pages 5-6)
- Comfort guard attachment to protect you from dust and sparks (550 - page 7)
- Multipurpose cutting kit for controlled cutting in a variety of materials (565/566 - page 8)
- Wall & floor grout removal kit for removing grout from between wall and floor tiles (568 - page 9)
- Right angle attachment to use accessories in right angle for hard-to-reach places (575 - page 10)
- Shaping platform to sand and grind at perfect 90° and 45° angles (576 - page 11)
- Detailer's grip to have even better control of the tool (577 - page 11)
- Lawn mower & garden tool sharpener for easy and quick sharpening at the optimum angle (675 - page 12)
- Line & circle cutter to make perfect holes and straight cuts (678 - page 13)
- 'EZ SpeedClic' mandrel for mounting 'EZ SpeedClic' accessories (page 14)

*) When using a new flexible shaft for the first time, keep it in a vertical position for two minutes with the tool running at high speed.

NOTE: Not all attachments listed above are standard included with the tool/kit

USE

GETTING STARTED

The first step in using the multitool is to get the "feel" of it. Hold it in your hand and feel its weight and balance. Feel the taper of the housing. This taper permits the tool to be grasped much like a pen or pencil.

IMPORTANT! Practice on scrap material first to see how the tool's high-speed action performs. Keep in mind that your multitool will perform best by allowing the speed, along with the correct Dremel accessory and attachment, to do the work for you. Do not put pressure on the tool during use, if possible. Instead, lower the spinning accessory lightly to the work surface and allow it to touch the point at which you want to begin. Concentrate on guiding the tool over the work using very little pressure from your hand. Allow the accessory to do the work. Usually it is better to make a series of passes with the tool rather than to do the entire job with one pass. A gentle touch gives the best control and reduces the chance of error.

HOLDING THE TOOL

Always hold the tool away from your face. Accessories can be damaged during handling and can fly apart as they come up to speed.

When holding tool, do not cover the ventilation openings with your hand. Blocking the ventilation openings could cause the motor to overheat.

For best control in close work, grip the multitool like a pencil between your thumb and forefinger. (11) The "golf" grip method is used for heavier operations such as grinding or cutting. (12)

ON/OFF

The tool is switched "ON" by the slide switch located on the top side of the motor housing. TO TURN THE TOOL "ON", slide the switch button forward. TO TURN THE TOOL "OFF", slide the switch button backward.

ELECTRONIC FEEDBACK (4000/4300)

Your tool is equipped with an internal electronic feedback system that provides a 'soft start', which will reduce the stresses that occur from a high torque start. The system also helps to keep the preselected speed virtually constant between no-load and load conditions.

VARIABLE SPEED SLIDE SWITCH (3000)

Your tool is equipped with a variable speed slide switch. The speed may be adjusted during operation by sliding the switch back or forth between any one of the settings.

To select the right speed for each job, use a practice piece of material.

VARIABLE SPEED DIAL (4000/4300)

Your tool is equipped with a variable speed dial. The speed may be adjusted during operation by presetting the dial on or between any one of the settings.

To select the right speed for each job, use a practice piece of material.

OPERATING SPEEDS (13)

Refer to the chart on pages 15-16 to help determine the proper speed for the material being worked on and the accessory to use.

Do not exceed 15,000 rpm when using wire brushes. Wire brush setting (4300) = 5-10

Most jobs can be accomplished using the tool at the highest setting. However, certain materials (some plastics and metals) can be damaged by high-speed generated heat and should be worked on at relatively low speeds. Low speed operation (15,000 rpm or less) is usually best for polishing operations employing the felt polishing accessories. All brushing applications require lower speeds to avoid wire discharge from the holder. Let the performance of the tool do the work for you when using lower speed settings. Higher speeds are better for hardwoods, metals and glass and for drilling, carving, cutting, routing and shaping.

Some guidelines regarding tool speed:

- Plastic and other materials that melt at low temperatures should be cut at low speeds.
- Polishing, buffing and cleaning with a wire brush must be done at speeds no greater than 15,000 rpm to prevent damage to the brush and your material.
- Wood should be cut at high speed.
- Iron or steel should be cut at high speed.
- If a high speed steel cutter starts to vibrate, it usually indicates that it is running too slowly.
- Aluminium, copper alloys, lead alloys, zinc alloys and tin may be cut at various speeds, depending on the type of cutting being done. Use a paraffin (not water)

or other suitable lubricant on the cutter to prevent the cut material from adhering to the cutter teeth.

NOTE: Increasing pressure on the tool is not the answer when it is not performing properly. Try a different accessory or speed setting to achieve the desired result.

MAINTENANCE AND CLEANING

⚠ NO USER SERVICEABLE PARTS INSIDE (you can only inspect and replace the carbon brushes (3000/4300)). **PREVENTIVE MAINTENANCE PERFORMED BY UNAUTHORIZED PERSONNEL MAY RESULT IN INCORRECT CONNECTION OF INTERNAL WIRING AND COMPONENTS WHICH COULD CAUSE SERIOUS HAZARD.**

INSPECTING/REPLACING CARBON BRUSHES (3000/4300) ⁽¹⁴⁾

Inspect the brushes for wear every 40-50 hours of use. Also inspect the brushes when the tool runs erratically, loses power, or makes unusual noises.

Using the tool with worn brushes will permanently damage the motor.

Use only original DREMEL replacement brushes.

1. Unplug the tool and place it on a clean surface.
2. Remove the two brush caps with the tool wrench as a screwdriver.
3. Remove the two brushes from the tool by pulling the springs that are attached.
4. Inspect both brushes. If a brush is less than 3mm long and/or the surface of the brush is rough or pitted, replace the carbon brush by a new one:
 - remove the spring from the brush
 - throw away the old brush and place the spring on a new brush
5. Place the carbon brushes (with spring) back into the tool (there is only one way the brush will fit back into the tool).
6. Replace the brush caps by turning the caps clockwise (to tighten, use the wrench - **do not overtighten**).

NOTE: If one brush is worn, you should replace both brushes for better performance of the tool.

The tool can be cleaned most effectively with compressed dry air. **Always wear safety goggles when cleaning tools with compressed air.**

⚠ TO AVOID ACCIDENTS, ALWAYS DISCONNECT THE TOOL AND/OR CHARGER FROM THE POWER SUPPLY BEFORE CLEANING

Ventilation openings and switch levers must be kept clean and free of foreign matter. Do not attempt to clean the tool by inserting pointed objects through an opening.

⚠ CERTAIN CLEANING AGENTS AND SOLVENTS DAMAGE PLASTIC PARTS. Some of these are: gasoline, carbon tetrachloride, chlorinated cleaning solvents, ammonia and household detergents that contain ammonia.

SERVICE AND WARRANTY

We recommend that all tool service be performed by a Dremel Service Centre.

This Dremel product is guaranteed in accordance with statutory/country-specific regulations; damage due to normal wear and tear, overload or improper handling are excluded from the warranty.

In case of a complaint, send the undismantled tool and/or charger and proof of purchase to your dealer.

CONTACT DREMEL

For more information on service and warranty, the Dremel product range, support and hotline, go to www.dremel.com.

NOISE AND VIBRATION

3000

Sound pressure level (standard deviation 3dB) dB(A)	77.1
Sound power level (standard deviation 3dB) dB(A)	88.1
Vibration (triax vector sum) m/s ²	12.8
Vibration uncertainty K m/s ²	1.5

4000

Sound pressure level (standard deviation 3dB) dB(A)	78.0
Sound power level (standard deviation 3dB) dB(A)	89.0
Vibration (triax vector sum) m/s ²	11.4
Vibration uncertainty K m/s ²	1.5

4300

Sound pressure level (standard deviation 3dB) dB(A)	74.4
Sound power level (standard deviation 3dB) dB(A)	85.4
Vibration (triax vector sum) m/s ²	9.0
Vibration uncertainty K m/s ²	1.5

NOTE: The declared vibration total value has been measured in accordance with a standard test method and may be used for comparing one tool with another. It may also be used in a preliminary assessment of exposure.

The vibration emission during actual use of the power tool can differ from the declared total value depending on the ways in which you use the tool.

Make an estimation of the exposure in the actual conditions of use and identify the safety measures for personal protection accordingly (taking account of all parts of the operating cycle such as the times when the tool is switched off and when it is running idle in addition to the trigger time).

DISPOSAL

The tool, accessories and packaging should be sorted for environmental-friendly recycling.

ONLY FOR EC COUNTRIES ⁽⁶⁾

According to the European Guideline 2012/19/EC for Waste Electrical and Electronic Equipment and its implementation into national right, power tools that are no longer usable must be collected separately and disposed of in an environmentally correct manner.

RU

ОБЩЕ

Информация о подтверждении соответствия, стране происхождения, а также дате изготовления указана на последней странице обложки руководства. Контактная информация относительно импортера содержится на упаковке.

ИСПОЛЬЗУЕМЫЕ СИМВОЛЫ

① ПРОЧИТЕ ДАННЫЕ ИНСТРУКЦИИ

- ② ИСПОЛЬЗУЙТЕ СРЕДСТВА ЗАЩИТЫ ОРГАНОВ СЛУХА
- ③ ИСПОЛЬЗУЙТЕ СРЕДСТВА ЗАЩИТЫ ГЛАЗ
- ④ ИСПОЛЬЗУЙТЕ ПРОТИВОПЫЛЕВОЙ РЕСПИРАТОР
- ⑤ КОНСТРУКЦИЯ II КЛАССА
- ⑥ НЕ ВЫБРАСЫВАЙТЕ ЭЛЕКТРОИНСТРУМЕНТЫ ВМЕСТЕ С БИТОВЫМ МУСОРОМ

ОБЩИЕ ПРЕДУПРЕЖДЕНИЯ ПО БЕЗОПАСНОСТИ ПРИ ИСПОЛЬЗОВАНИИ ЭЛЕКТРИЧЕСКОГО ИНСТРУМЕНТА

▲ ВНИМАНИЕ ПРОЧИТАЙТЕ ВСЕ ИНСТРУКЦИИ И ПРЕДУПРЕЖДЕНИЯ ПО БЕЗОПАСНОСТИ

Несоблюдение этих инструкций и мер безопасности может привести к поражению электрическим током, возникновению пожара и/или получению серьезных травм. Сохраните инструкции и предупреждения для последующего использования. Термин «электрический инструмент» во всех предупреждениях относится к электрическим инструментам, работающим от электросети (проводным) или от батарей (беспроводным).

БЕЗОПАСНОСТЬ РАБОЧЕГО МЕСТА

- a. Рабочее место должно быть чистым и хорошо освещенным. Беспорядок и плохое освещение рабочего места могут привести к несчастным случаям.
- b. Запрещается пользоваться электроинструментами во взрывоопасной среде, в которой находятся воспламеняющиеся жидкости, газы или пыль. Электроинструменты искрят, что может привести к воспламенению пыли или газов.
- c. При работе с электроинструментом не подпускайте близко детей и посторонних. Невнимательность во время работы может привести к потере контроля над инструментом.

ТЕХНИКА БЕЗОПАСНОСТИ ПРИ ЭКСПЛУАТАЦИИ ЭЛЕКТРИЧЕСКИХ СИСТЕМ

- a. Штепсельная вилка электроинструмента должна подходить к штепсельной розетке. Запрещается модифицировать штепсельную вилку. Запрещается применять адаптеры для штепсельных вилок электроинструментов с защитным заземлением. Немодифицированные штепсельные вилки и соответствующие штепсельные розетки снижают риск поражения электротоком.
- b. Предотвращайте телесный контакт с заземленными поверхностями, например трубами, элементами отопления, кухонными плитами и холодильниками. При заземлении тела увеличивается риск поражения электрическим током.
- c. Защищайте электроинструмент от дождя и сырости. При попадании воды в электроинструмент повышается риск поражения электрическим током.
- d. Используйте шнур электропитания только по назначению. Никогда не используйте кабель электроинструмента для его переноски, подтягивания или извлечения вилки из розетки. Защищайте кабель от воздействия высоких температур, масла, острых кромок

или подвижных частей электроинструмента.

Поврежденные или спутанные шнуры электропитания повышают риск поражения электрическим током.

- e. При работе с электроинструментом вне помещений необходимо использовать удлинитель для использования вне помещений. Использование кабеля, подходящего для работы на открытом воздухе, снижает риск поражения электрическим током.
- f. Если невозможно избежать использования электроинструмента в условиях влажной среды, используйте блок питания с устройством защитного отключения (УЗО). Использование УЗО снижает риск электрического поражения.

БЕЗОПАСНОСТЬ

- a. Будьте внимательны. Следите за своими действиями при работе с электроинструментом. Не работайте с электроинструментом, если вы устали, находитесь под воздействием наркотиков, спиртных напитков или лекарств. Малейшая невнимательность при работе с электроинструментом может привести к серьезным травмам.
- b. Используйте средства индивидуальной защиты. Всегда надевайте защитные очки. Такие средства индивидуальной защиты, как противопылевые респираторы, защитная обувь с нескользкой подошвой, защитный шлем или средства защиты органов слуха, соответствующие виду выполняемых работ, снижают риск получения травм.
- c. Внимание! Перед подключением к источнику питания и/или аккумуляторной батарее, а также перед подъемом или переноской инструмента установите выключатель в положение ВЫКЛ. Отключите сетевую вилку от розетки или отсоедините съемный аккумулятор. Этим предотвращается неконтролируемый повторный запуск.
- d. Прежде чем включить электроинструмент, уберите инструменты и ключи, которые использовались для его настройки. Инструменты или ключи, находящиеся во вращающейся части электроинструмента, могут привести к травмам.
- e. Не тянитесь к участку выполнения работ. Всегда занимайте устойчивое положение и держите равновесие. Благодаря этому электроинструмент лучше контролируется в нестандартных ситуациях.
- f. Используйте спецодежду. Не надевайте широкую одежду и украшения. Волосы, одежда и перчатки должны находиться на достаточном расстоянии от движущихся элементов. Широкая одежда, длинные волосы или украшения могут быть затянуты вращающимися частями электроинструмента.
- g. Если устройства поставляются для подключения систем пылеудаления и пылеулавливания, убедитесь в правильности их подключения и использования. Использование пылесборных систем снижает опасность воздействия пыли.

ЭКСПЛУАТАЦИЯ ЭЛЕКТРОИНСТРУМЕНТА И УХОД ЗА НИМ

- a. Не перегружайте электроинструмент. Используйте электроинструмент, предназначенный для выполнения конкретной задачи. Эффективность и безопасность электроинструмента будет максимальной

при осуществлении работ с рекомендуемой скоростью.

- b. **Не используйте электроинструмент с неисправным выключателем.**
Электроинструмент, который невозможно включить или выключить при помощи выключателя, является опасным, его необходимо отремонтировать.
- c. **Перед наладкой электроинструмента и заменой принадлежностей, а также перед помещением его на хранения извлеките штепсельную вилку из источника питания и/или аккумуляторной батареи.** *Данная мера предосторожности предотвращает случайное включение инструмента.*
- d. **Храните неиспользуемые электроинструменты в местах, недоступных для детей. Не давайте электроинструмент тем, кто не знает, как его использовать, или не ознакомился с настоящими инструкциями.** *Электроинструмент в руках необученного человека представляет опасность.*
- e. **Поддерживайте электроинструменты в исправном состоянии. Проверяйте юстировку и сцепление движущихся частей электроинструмента, старайтесь вовремя обнаружить поломки и избегать повреждений, отрицательно влияющих на его работоспособность. Если инструмент поврежден, его необходимо отремонтировать до начала работы.** *Неудовлетворительное обслуживание электроинструментов является причиной большого числа несчастных случаев.*
- f. **Следите за тем, чтобы режущий элемент оставался острым и чистым. Правильный уход за режущими инструментами с острыми режущими кромками снижает вероятность заклинивания и облегчает их эксплуатацию.**
- g. **Применяйте электроинструмент, насадки и прочие принадлежности в соответствии с настоящими инструкциями, учитывая условия эксплуатации и вид выполняемой работы.** *Использование электроинструмента в целях, отличных от тех, для которых он предназначен, может привести к возникновению опасных ситуаций.*

РЕМОНТ

- a. **Ремонт электроинструмента должен осуществляться только квалифицированным персоналом и исключительно с применением оригинальных запасных частей.** *Этим обеспечивается сохранность безопасности электроинструмента.*

ПРАВИЛА ТЕХНИКИ БЕЗОПАСНОСТИ ПРИ ВЫПОЛНЕНИИ ВСЕХ ВИДОВ РАБОТ

ОБЩИЕ УКАЗАНИЯ ПО БЕЗОПАСНОСТИ ДЛЯ ЗАТОЧКИ, ШЛИФОВКИ, ОЧИСТКИ ПРОВОЛОЧНОЙ ЩЕТКОЙ, ПОЛИРОВКИ И АБРАЗИВНОЙ РЕЗКИ

- a. **Настоящий электроинструмент предназначен для применения в качестве шлифовальной машины, шлифовальной машины с наждачной бумагой или проволочной щеткой, и полировочной машины, машины для резбы или отрезной машины. Ознакомьтесь со всеми предупреждениями по технике безопасности, инструкциями, рисунками и техническими характеристиками, входящими в комплект**

поставки электроинструмента. Несоблюдение всех инструкций, перечисленных ниже, может привести к поражению электрическим током, пожару и/или получению серьезных травм.

- b. **Не применяйте принадлежности, которые не предусмотрены изготовителем специально для настоящего электроинструмента и не рекомендуются им.** *Возможность подключения таких принадлежностей к вашему электроинструменту не гарантирует безопасность их применения.*
- c. **Номинальные обороты для шлифовальных принадлежностей должны быть как минимум равны указанным на электроинструменте максимально допустимым оборотам.** *Шлифовальные принадлежности, вращающиеся с большей, чем допустимо скоростью, могут разорваться.*
- d. **Наружный диаметр и толщина принадлежностей должны соответствовать мощности вашего электроинструмента.** *Неправильно соразмеренными рабочими инструментами невозможно управлять в достаточной степени.*
- e. **Шлифовальные круги, шлифовальные барабаны или любые другие принадлежности должны точно сидеть на шпинделе или цапге вашего электроинструмента.** *Принадлежности, неточно сидящие на шпинделе электроинструмента, вращаются с биением, сильно вибрируют и могут привести к потере контроля.*
- f. **Установленные на шпинделе шлифовальные круги и барабаны, а также резцы или другие принадлежности должны быть полностью вставлены в цапгу или патрон.** *Если шпиндель недостаточно хорошо удерживается и/или вылет диска слишком велик, установленный диск может отсоединиться и вылететь на большой скорости.*
- g. **Не используйте поврежденные принадлежности.** *Каждый раз перед использованием проверяйте рабочие инструменты, такие как шлифовальные круги на сколы и трещины, шлифовальные тарелки на трещины, задиры или сильный износ, проволочные щетки на незакрепленные или поломанные проволоки. В случае падения электроинструмента или принадлежностей проверьте их на предмет повреждений или установите неповрежденные принадлежности.* *После контроля и закрепления рабочего инструмента, займите сами, и все находящиеся вблизи лица, положение за пределами плоскости вращения рабочего инструмента и включите электроинструмент на одну минуту на максимальное число оборотов. Поврежденные рабочие инструменты разрываются, в большинстве случаев, за это время контроля.*
- h. **Применяйте средства индивидуальной защиты. В зависимости от выполняемой работы применяйте защитный щиток для лица, защитное средство для глаз или защитные очки. При необходимости используйте противопылевой респиратор, средства защиты органов слуха, защитные перчатки или специальный фартук, обеспечивающий защиту от абразивных частиц и частиц обрабатываемых деталей.** *Глаза должны быть защищены от летящих в воздухе посторонних тел, которые возникают при выполнении различных работ. Респиратор или защитная маска органов дыхания должны задерживать возникающую при работе пыль. Длительное воздействие высокого уровня шума может привести к потере слуха.*
- i. **Следите за тем, чтобы все посторонние**

- лица находились на безопасном расстоянии от зоны выполнения работ. Каждое лицо в пределах рабочего участка должно иметь средства индивидуальной защиты. *Осколки обрабатываемых деталей или сломанных принадлежностей могут отлететь в сторону и стать причиной травм за пределами зоны работ.*
- ж. Во время выполнения работ, в ходе которых возможен контакт режущей принадлежностью со скрытой электропроводкой или собственным шнуром питания, держите электроинструмент только за изолированные поверхности рукоятки. Контакт с проводом, находящимся под напряжением, может привести к поражению электрическим током.**
- к. Всегда крепко держите инструмент во время его запуска. Реактивный момент двигателя по мере его разгона до полной скорости может вызвать вращение инструмента.**
- и. Всегда при возможности используйте тиски для фиксации заготовки. Никогда при работе не держите небольшую заготовку в одной руке и инструмент в другой руке. Фиксация небольшой заготовки позволяет вам использовать обе руки для управления инструментом. Цилиндрические детали, такие как штыри, трубы или тюбики могут иметь при резке тенденцию к вращению, что может вызвать заклинивание или вылет насадку.**
- м. Не допускайте контакта шнура электропитания с вращающимися деталями. Если потерять контроль над инструментом, вращающаяся деталь может перерезать или порвать шнур, либо травмировать кисть или руку.**
- п. Никогда не выпускайте электроинструмент из рук, пока рабочий инструмент полностью не остановится. Вращающийся рабочий инструмент может зацепиться за опорную поверхность и вы можете потерять контроль над электроинструментом.**
- о. После смены насадок или выполнения каких-либо настроек убедитесь, что гайка цанги, патрон или любые другие регулировочные приспособления надежно затянuty. Плохо закрепленные регулировочные приспособления могут неожиданно сместиться, вызывая потерю контроля, плохо закрепленные вращающиеся детали могут вылетать, причиняя травмы.**
- р. При перемещении электроинструмента он должен быть выключен. Ваша одежда может быть случайно захвачена вращающимся рабочим инструментом и последний может нанести вам травму.**
- q. Регулярно очищайте вентиляционные прорезы вашего электроинструмента. Вентилятор двигателя затягивает пыль в корпус и большое скопление металлической пыли может привести к электрической опасности.**
- г. Не используйте электроинструмент вблизи легковоспламеняющихся материалов. Искры могут воспламенить эти материалы.**
- с. Не используйте принадлежности, требующие применение жидких охлаждающих средств. Применение воды или других жидких охлаждающих средств может привести к поражению электротоком.**

ОБРАТНЫЙ УДАР И СООТВЕТСТВУЮЩИЕ ПРЕДУПРЕЖДАЮЩИЕ УКАЗАНИЯ

Обратный удар — это внезапная реакция на зажатие или блокировку вращающегося шлифовального круга, шлифовальной ленты, проволочной щетки или любой

другой принадлежности. При этом неконтролируемый электроинструмент приходит в движение в направлении, противоположном направлению вращения рабочего инструмента.

Например, если шлифовальный круг зажат или заблокирован обрабатываемой деталью, то кромка шлифовального круга, вошедшая в точку захвата, может врезаться в поверхность детали, в результате чего шлифовальный круг может отскочить или выскочить наружу. При этом шлифовальный круг движется на оператора или от него, в зависимости от направления вращения круга на месте блокирования. При этом шлифовальный круг может разломаться. Обратный удар является следствием неправильного использования электроинструмента или ошибки оператора. Его можно предотвратить подходящими мерами предосторожности, описанными ниже.

- а. Крепко держите электроинструмент и займите вашим телом и руками положение, в котором вы можете противодействовать обратным силам. Оператор может подходящими мерами предосторожности противодействовать обратным и реакционным силам.**
- б. Соблюдайте повышенную осторожность при обработке углов, острых кромок и т. д. Не допускайте отскоков или блокировки принадлежности. Вращающийся рабочий инструмент склонен на углах, острых кромках и при отскоке к заклиниванию. Это вызывает потерю контроля или обратный удар.**
- с. Не устанавливайте зубчатое режущее полотно. Такие полотна часто отскакивают и вызывают потерю контроля над электроинструментом.**
- д. Обязательно вводите насадку в материал с той же стороны, с которой режущая кромка выходит из материала (со стороны вылета стружки). Подача инструмента в неправильном направлении вызывает выход режущей кромки инструмента с уходом вверх из заготовки и толчок инструмента в этом направлении.**
- е. При использовании зачистных кругов, режущих кругов, высокоскоростных резцов или резцов из твердого сплава обязательно надежно фиксируйте заготовку. При незначительном изгибе этих принадлежностей в разрезе происходит их заклинивание, и может возникнуть обратный удар. Когда отрезной диск заклинивает, он обычно разрушается. При заклинивании зачистного круга, высокоскоростного резца или резца из карбида вольфрама они могут вылететь из разреза, и вы можете потерять контроль над инструментом.**

СПЕЦИАЛЬНЫЕ ПРЕДУПРЕЖДАЮЩИЕ УКАЗАНИЯ ПО ШЛИФОВАНИЮ И ОТРЕЗАНИЮ

- а. Применяйте допущенные исключительно для вашего электроинструмента типы дисков и только для рекомендованных вариантов применения. Например: никогда не шлифуйте боковой поверхностью отрезного диска. Абразивные режущие круги предназначены для шлифования периферией круга. Боковые силы, воздействующие на такие круги, могут разрушить их.**
- б. Для резбовых абразивных конусов и вкладышей используйте только неповрежденные дисковые шпиндели с незатылованным боковым фланцем подходящего размера и длины. Подходящие шпиндели снижают вероятность поломки.**
- с. Предотвращайте блокирование отрезного диска и повышайте усилие прижатия. Не выполняйте**


ТЕХНИЧЕСКИЕ ХАРАКТЕРИСТИКИ

- слишком глубокие резы. Перегрузка отрезного диска повышает нагрузку и склонность к перекоосу или заклиниванию диска в резе, увеличивая возможность обратного удара или поломки абразивного инструмента.
- d. Не помещайте руки перед вращающимся отрезным диском и за ним. Если вы ведете отрезной диск по заготовке от себя, то в случае обратного удара электроинструмент с вращающимся диском может отскочить прямо на вас.
 - e. При заклинивании отрезного диска или при перерыве в резове выключите электроинструмент и дайте диску спокойно остановиться. Никогда не пытайтесь вынуть еще вращающийся режущий круг из реза, так как это может привести к отскоку инструмента. Установите и устраните причину заклинивания или задира диска.
 - f. Не включайте электроинструмент, если он находится в обрабатываемой детали. Дайте отрезному диску развить полное число оборотов, перед тем как вы осторожно продолжите резание. В противном случае диск может завесть, выскочить из детали или вызвать обратный удар.
 - g. Плиты или большие детали должны надежно лежать на опоре для снижения опасности обратного удара при заклинивании отрезного диска. Большие детали могут прогибаться под собственным весом. Деталь должна лежать на опорах с обеих сторон, как вблизи реза, так и по краям.
 - h. Будьте особенно осторожны при выполнении резов с погружением в стены или на других не просматриваемых участках. Погружающийся отрезной диск может при резании газопровода или водопровода, электрических проводов или других объектов привести к обратному удару.

ОСОБЫЕ ИНСТРУКЦИИ ПО ТЕХНИКЕ БЕЗОПАСНОСТИ ПРИ РАБОТЕ С ПРОВОЛОЧНЫМИ ЩЕТКАМИ

- a. Имейте в виду, что проволочные щетки теряют проволоку также и при нормальной работе. Не перегружайте проволоки чрезмерным усилием прижатия. Отлетающие куски проволоки могут легко проникнуть через тонкую одежду и/или кожу.
- b. Перед использованием щеток дайте им прокрутиться на рабочей скорости как минимум одну минуту. В это время никто не должен находиться перед щетками. Плохо закрепленные щетинки или проволоки отделятся от щетки во время проработки.
- c. Направьте вылет этих элементов вращающейся щетки в сторону от вас. Небольшие частицы и куски проволоки могут вылетать с большой скоростью при работе с этими щетками и могут попасть на вас.
- d. При работе с проволочными щетками не превышайте скорость вращения в 15.000 об/мин.

 НЕ ОБРАБАТЫВАЙТЕ МАТЕРИАЛЫ, СОДЕРЖАЩИЕ АСБЕСТ (асбест является канцерогеном)

 ЕСЛИ ВО ВРЕМЯ РАБОТЫ СУЩЕСТВУЕТ ВОЗМОЖНОСТЬ ВОЗНИКНОВЕНИЯ В АТМОСФЕРЕ ВРЕДНОЙ ДЛЯ ЗДОРОВЬЯ, ГОРЮЧЕЙ ИЛИ ВЗРЫВООПАСНОЙ ПЫЛИ, ПРИМИТЕ СООТВЕТСТВУЮЩИЕ МЕРЫ БЕЗОПАСНОСТИ (некоторые виды пыли являются канцерогенными); пользуйтесь респиратором, а также вытяжными устройствами для пыли/стружки, если предусмотрена возможность их подключения.

Номер модели	3000
Мощность на входе	130 Вт
Напряжение	230 В, 50 Гц
Число оборотов	33 000 об/мин
Диаметр изделия, зажимаемого в цанге	3,2 мм
Максимальный диаметр насадки	38,1 мм
Вес	0,5 кг

Номер модели	4000
Мощность на входе	175 Вт
Номинальное напряжение	230-240 В, 50/60 Гц
Число оборотов	35 000 об/мин
Диаметр изделия, зажимаемого в цанге	3,2 мм
Максимальный диаметр насадки	38,1 мм
Вес	0,6 кг

Номер модели	4300
Мощность на входе	175 Вт
Номинальное напряжение	220-240 В, 50/60 Гц
Число оборотов	35 000 об/мин
Диаметр изделия, зажимаемого в цанге	0,8–3,4 мм
Максимальный диаметр насадки	38,1 мм
Вес	0,6 кг

Используйте полностью развернутые и безопасные удлинители, рассчитанные на ток не менее 5 А. Всегда проверяйте, чтобы напряжение сети соответствовало значению, указанному на заводской табличке инструмента.

ОБЩАЯ ИНФОРМАЦИЯ ⑦

- A. Гайка цанги
- B. Цанга
- C. Конический колпачок (со встроеным ключом EZ Twist*)
- D. Кнопка блокировки вала
- E. Выключатель и ползуноковый регулятор скорости (3000)
- E. Выключатель (4000/4300)
- F. Ремень
- G. Крышка щетки
- H. Вентиляционные отверстия
- I. Регулятор скорости вращения (4000/4300)
- J. Цанговый ключ
- K. Модуль подсветки(4300)
- L. Патрон Dremel (4300)

*) не входит в стандартную комплектацию

МОДУЛЬ ПОДСВЕТКИ I и II (4300) ⑧

- M. Выключатель
- N. Ползунок (I)
- O. Винт
- P. Батарейный отсек
- Q. Аккумуляторные батареи (2 шт. CR1025)
- R. Конические колпачки нового типа
- S. Конические колпачки старого типа

В данном электроинструменте предусмотрена подсветка, которая предназначена для освещения рабочей зоны, а не для освещения помещений.

Данное изделие содержит литиевую батарею пуговичного/таблеточного типа. В случае проглатывания или попадания в организм новая

или использованная литиевая батарея пуговичного/таблеточного типа может вызвать тяжелые ожоги внутренних органов и привести к летальному исходу всего за 2 часа. Всегда надежно закрывайте батарейный отсек. Если батарейный отсек не закрывается должным образом, прекратите использование изделия, извлеките батареи и держите их в месте, недоступном для детей. Если у вас возникли подозрения относительно проглатывания батареи или ее попадания внутрь любой части тела, незамедлительно обратитесь за медицинской помощью.

ПЕРВОНАЧАЛЬНАЯ НАЛАДКА

Чтобы использовать подсветку в первый раз, нужно извлечь фиксирующий язычок из батарейного отсека. Выньте язычок и проверьте работу подсветки с помощью расположенного сверху выключателя. Если свет не включается, с помощью небольшой отвертки проверьте правильность установки батареи, а также убедитесь в том, что все фиксирующие язычки были извлечены.

ЗАМЕНА БАТАРЕЙ

Чтобы заменить батареи в модуле подсветки, отвинтите конический колпачок и снимите этот модуль. Затем с помощью небольшой отвертки ослабьте фиксацию винта батарейного отсека. **Не вынимайте винт полностью!** Снимите корпус батарейного отсека с нижней части модуля.

Извлеките использованные батареи и вставьте новые; следите за тем, чтобы новые батареи были установлены в той же ориентации, что и старые. После установки новых батарей верните на место корпус батарейного отсека и снова затяните винт. **Во время повторной сборки следите за тем, чтобы выключатель и ползунок находились в одинаковом положении «Вкл.» (I) или «Выкл.» (O). Это поможет обеспечить совпадение выключателя с «вилкой» ползунка. (I)**

МОНТАЖ И ПРИМЕНЕНИЕ

Чтобы установить модуль подсветки на инструмент, сначала отвинтите конический колпачок на конце инструмента. Установите модуль подсветки на конец инструмента таким образом, чтобы свет был направлен вперед. Снова зафиксируйте конический колпачок на конце инструмента, чтобы закрепить модуль подсветки. *Модуль подсветки совместим только с коническим колпачком нового типа, который поставляется вместе с инструментом.*

Чтобы включить или выключить подсветку

– установите ползунок в положение «Вкл.» или «Выкл.» (I)

– нажмите на выключатель (II)

Чтобы изменить расположение модуля подсветки, просто отвинтите конический колпачок, поверните модуль подсветки в нужном направлении и снова зафиксируйте конический колпачок.

ПРИНАДЛЕЖНОСТИ

ПЕРЕД ЗАМЕНОЙ ПРИНАДЛЕЖНОСТЕЙ ВСЕГДА ВЫСТАКИВАЙТЕ ШТЕПСЕЛЬНУЮ ВИЛКУ ИНСТРУМЕНТА ИЗ РОЗЕТКИ

Используйте только проверенные, высокопроизводительные насадки Dremel. Перед началом работы с насадкой Dremel внимательно прочтите прилагаемые к ней инструкции по эксплуатации. Соблюдайте осторожность во время применения и хранения принадлежностей, чтобы избежать появления повреждений и трещин.

СМЕНА ПРИНАДЛЕЖНОСТЕЙ ⑨

- A. Гайка цанги
- B. Цанга (3,2 мм)
- C. Конический колпачок (со встроенным ключом EZ Twist*)
- D. Патрон Dremel 4486
- E. Кнопка блокировки вала
- F. Ключ

***) не входит в стандартную комплектацию**

1. Нажмите кнопку блокировки вала и вращайте шпиндель рукой, пока не сработает фиксатор шпинделя. **Не нажимайте кнопку фиксации вала во время работы вращающегося инструмента.**
2. Удерживая кнопку блокировки вала нажатой, ослабьте (но не снимайте) цанговую гайку. В случае необходимости используйте цанговый ключ.
3. Расположите хвостовик приставки или принадлежности в цангу до упора.
4. Удерживая кнопку блокировки вала нажатой, затяните цанговую гайку.

ВСТРОЕННЫЙ КЛЮЧ EZ TWIST ⑩

В конический колпачок встроен ключ, позволяющий ослаблять или затягивать цанговую гайку без использования обычного цангового ключа.

1. Выкрутите конический колпачок из инструмента сопоставьте стальную вставку внутри колпачка с цанговой гайкой.
2. Удерживая кнопку блокировки вала нажатой, вращайте конический колпачок против часовой стрелки, чтобы отпустить цанговую гайку. **Не нажимайте кнопку фиксации вала во время работы вращающегося инструмента.**
3. Вставьте хвостовик приставки или принадлежности в цангу до упора.
4. Удерживая кнопку блокировки вала нажатой, вращайте конический колпачок по часовой стрелке, чтобы затянуть цанговую гайку.
5. Вкрутите конический колпачок на место.

ПАТРОН DREMEL 4486 (4300)

Патрон Dremel обеспечивает возможность быстрой и простой замены принадлежностей для инструментов Dremel без замены цанги. Существует возможность использования принадлежностей с размером хвостовика 0,8–3,2 мм.

Чтобы ослабить степень затяжки, нажмите кнопку блокировки вала и вращайте шпиндель рукой до тех пор, пока не сработает его фиксатор. **Не нажимайте кнопку фиксации вала во время работы вращающегося инструмента.**

Когда фиксатор вала сработал, используйте ключ или конический колпачок с ключом EZ Twist, чтобы ослабить патрон и открыть зажимы.

Извлеките принадлежность из патрона. При необходимости продолжайте ослаблять фиксацию патрона, чтобы новая принадлежность поместилась между зажимами. Вставьте новую принадлежность в патрон на достаточную глубину, чтобы между концом патрона и началом рабочей части принадлежности оставалось расстояние примерно 6 мм. После срабатывания фиксатора вала затяните патрон с помощью конического колпачка EZ Twist или ключа, чтобы закрепить принадлежность.

ПОЛЕЗНЫЕ СОВЕТЫ ПО ИСПОЛЬЗОВАНИЮ ПАТРОНА DREMEL

- В данном инструменте патрон Dremel и цанга с гайкой являются взаимозаменяемыми. Патрон позволяет использовать разнообразные принадлежности, а цанга с гайкой обеспечивают

- надежную фиксацию принадлежности, особенно при наличии значительной боковой нагрузки.
- Если принадлежность сколзит внутри патрона, затяните его вокруг хвостовика принадлежности с помощью конического колпачка EZTwist, который входит в комплект поставки, или ключа. Если принадлежность продолжает проскальзывать, используйте цангу с гайкой.
 - Существует вероятность смещения зажимов патрона, из-за чего принадлежность не сможет двигаться плавно и концентрически (что приведет к преждевременному износу).
- Чтобы отрегулировать положение зажимов, выполните следующую процедуру:
1. Извлеките принадлежность из патрона.
 2. Очистите патрон.
 3. Нажмите кнопку блокировки вала и затягивайте патрон до тех пор, пока зажимы не выйдут за пределы внешней поверхности вала примерно на 3 мм.
 4. Сильно прижмите край патрона к твердой плоской поверхности и убедитесь, что зажимы установлены по оси.
 5. Продолжайте затягивать патрон вручную, пока зажимы полностью не закроются.
 6. Ослабьте патрон и установите принадлежность, удерживая ее в требуемом положении.
 7. Поверните инструмент вручную и осмотрите его на наличие признаков износа. При обнаружении явных признаков износа повторите процедуру.
 8. **После срабатывания фиксатора вала затяните патрон с помощью конического колпачка EZ Twist или ключа, чтобы закрепить принадлежность.**
 9. Проверните инструмент на самой низкой скорости вращения и осмотрите его на наличие признаков износа. При обнаружении явных признаков износа убедитесь, что принадлежность установлена должным образом, и повторите процедуру.

БАЛАНСИРОВКА ПРИНАДЛЕЖНОСТЕЙ

Для точной работы важно, чтобы все принадлежности имели хороший баланс (аналогично шинам автомобиля). Для регулировки или балансировки принадлежности ослабьте гайку цанги и поверните принадлежность или цангу на 1/4 оборота. Затяните цангу и включите вращающийся инструмент. По звуку и ощущениям можно определить, отбалансирована ли принадлежность. Для достижения наилучшего баланса продолжайте данную процедуру.

ДОПОЛНИТЕЛЬНЫЕ ПРИСПОСОБЛЕНИЯ

Чтобы расширить функциональные возможности инструмента Dremel, его можно оснастить следующими принадлежностями:

- Гибким валом *) для точной, мелкой работы или достижения труднодоступных мест (225 — страницы 5–6)
- Приспособлением Comfort guard для защиты от пыли и искр (550 — страница 7)
- Универсальным набором для резки Multipurpose для контролируемой резки различных материалов (565/566 — страница 8)
- Комплектом для удаления цемента со стен и пола Wall & floor grout removal для удаления цемента между плитками стен или пола (568 — страница 9)
- Приспособлением Right angle для применения принадлежностей под прямым углом в труднодоступных местах (575 — страница 10)

- Формовочной платформой Shaping platform для шлифовки под углами строго в 90 и 45 градусов (576 — страница 11)
- Рукояткой Detailer's grip для обеспечения улучшенного контроля инструмента (577 — страница 11)
- Заточным станком Lawn mower & garden tool sharpener для легкой и быстрой заточки изделий под оптимальным углом (675 — страница 12)
- Линейным и циркулярным резцом Line & circle cutter для создания идеальных отверстий и прямых резов (678 — страница 13)
- Системой EZ SpeedClis для быстрой установки и отсоединения принадлежностей (страница 14)

**) При первом использовании нового гибкого вала поддержите его в вертикальном положении в течение двух минут, пока инструмент работает на высокой скорости.*

ПРИМЕЧАНИЕ. Не все перечисленные выше принадлежности входят в комплект поставки.

ИСПОЛЬЗОВАНИЕ

НАЧАЛО РАБОТЫ

Перед работой с многофункциональным инструментом следует привыкнуть к нему и почувствовать его. Возьмите его в руку, почувствуйте его вес и найдите равновесное положение. Приоритетите к форме корпуса. Она позволяет держать инструмент примерно так же, как карандаш или авторучку. **ВАЖНО!** Сначала потренируйтесь на обрезках, чтобы понять, как инструмент работает на высокой скорости. Не забывайте, что многофункциональный инструмент работает лучше с верно выбранной скоростью и оригинальными принадлежностями и приставками Dremel. Не перегружайте инструмент во время работы. Напротив, подводите инструмент к обрабатываемой поверхности аккуратно, чтобы почувствовать контакт с точкой, с которой начнется работа. Следите за движением инструмента вдоль заготовки, прилагая лишь минимальные усилия. Пусть инструмент сам делает всю работу. Результат будет лучше, если распределить процесс на несколько этапов. Деликатный подход к работе - это залог полного контроля и точного результата.

КАК ПРАВИЛЬНО ДЕРЖАТЬ ИНСТРУМЕНТ

Всегда держите инструмент на расстоянии от лица. Принадлежности могут быть повреждены и могут вылететь из инструмента при увеличении скорости. Не закрывайте вентиляционные отверстия во время работы. Блокировка этих отверстий ведет к перегреву двигателя инструмента.

Для лучшего контроля при тонкой работе возьмите многофункциональный инструмент, как карандаш, большим и указательным пальцами. ① Способ двустороннего захвата применяется для выполнения сложных работ, таких как шлифование или резка. ②

ВКЛ./ВЫКЛ.

Инструмент включен, когда переключатель находится в верхней части корпуса.

ДЛЯ ВКЛЮЧЕНИЯ ИНСТРУМЕНТА, сдвиньте выключатель вперед.

ДЛЯ ВЫКЛЮЧЕНИЯ ИНСТРУМЕНТА, сдвиньте выключатель назад.

ЭЛЕКТРОННАЯ ОБРАТНАЯ СВЯЗЬ (4000/4300)

Инструмент оснащен встроенной системой электронной обратной связи, которая обеспечивает плавный запуск, что позволяет снизить напряжение в случае запуска с высоким крутящим моментом. Система также помогает поддерживать практически постоянную заданную скорость под нагрузкой и без нее.

ПОЛЗУНКОВЫЙ РЕГУЛЯТОР СКОРОСТИ (3000)

Инструмент оснащен ползунковым регулятором скорости. Во время работы можно регулировать скорость, двояга регулятор вперед и назад и выбирая нужное положение.

Чтобы выбрать правильную скорость вращения для каждой работы, используйте обломок материала.

РЕГУЛЯТОР СКОРОСТИ ВРАЩЕНИЯ (4000/4300)

Инструмент оснащен регулятором скорости вращения. Скорость можно регулировать во время работы изделия, выбрав необходимое положение на регуляторе.

Чтобы выбрать правильную скорость вращения для каждой работы, используйте обломок материала.

СКОРОСТЬ РАБОТЫ ¹³

Таблица, приведенная на страницах 15-16, поможет вам выбрать оптимальную скорость для обрабатываемого материала и необходимую принадлежность.

При работе с проволочными щетками не превышайте скорость вращения в 15 000 об/мин.

Регулировка проволочной щетки (4300) = 5–10

Заключительная стадия большинства работ выполняется на максимальной скорости. Обработка некоторых материалов (например, некоторых пластмасс) требует относительно небольших скоростей, т. к. на высоких скоростях трение инструмента приводит к выделению тепла и расплавлению материала. Низкая скорость (15 000 об/мин или меньше) лучше всего подходит для полировки поверхностей при помощи войлочных полировальных приспособлений. При работе со щеткой также рекомендуется выбирать низкую скорость, что позволит сохранить щетку и не даст щетине расстrepаться. Несмотря на выбор низкой скорости, производительность инструмента не снижается. Высокие скорости оптимально подходят для обработки твердых сортов древесины, металлов и стекла, для сверления, резьбы, отрезания, фрезерования и заточки, а также для выборки пазов в древесине.

Несколько инструкций по выбору скорости:

- Пластмассу и другие легкоплавкие материалы следует обрабатывать на низкой скорости.
- Чтобы избежать повреждения щетки и материала, полировку, отделку и очистку поверхностей проволочной щеткой нужно выполнять на скорости менее 15 000 об/мин.
- Резка древесины производится на высокой скорости.
- Резка железа и стали производится на высокой скорости.
- Если высокоскоростной стальной резец начинает вибрировать, это, как правило, означает, что выбрана слишком низкая скорость.
- Резка алюминия, медных, свинцовых и цинковых сплавов, а также олова может производиться на разных скоростях, в зависимости от типа резки. Во избежание прилипания разрезаемого материала к зубьям режущего диска смажьте его парафином (не водой!)

ПРИМЕЧАНИЕ. Примечание. если инструмент, по вашему мнению, не режет должным образом, увеличивать давление на него не следует. Для достижения требуемого результата попробуйте другую приставку или выберите другую скорость.

ОБСЛУЖИВАНИЕ И ОЧИСТКА

▲ В ЭТОМ УСТРОЙСТВЕ НЕТ ДЕТАЛЕЙ, КОТОРЫЕ ПОЛЬЗОВАТЕЛЬ МОЖЕТ ОБСЛУЖИВАТЬ САМОСТОЯТЕЛЬНО (вы можете только проверить и менять графитовые щетки (3000/4300)). ВЫПОЛНЕНИЕ ПРЕВЕНТИВНОГО ТЕХОБСЛУЖИВАНИЯ НЕКАВАЛИФИЦИРОВАННЫМИ ПОЛЬЗОВАТЕЛЯМИ МОЖЕТ ПРИВЕСТИ К СМЕЩЕНИЮ ВНУТРЕННИХ ПРОВОДОВ И КОМПОНЕНТОВ, ЧТО МОЖЕТ ВЫЗВАТЬ СЕРЬЕЗНУЮ ОПАСНОСТЬ.

ПРОВЕРКА/ЗАМЕНА ГРАФИТОВЫХ ЩЕТОК (3000/4300) ¹⁴

Проверяйте степень износа щетки через каждые 40–50 часов работы инструмента.

Также осматривайте щетки, если инструмент работает нестабильно, недостаточно мощно или издает необычные звуки.

Использование инструмента с изношенными щетками приводит к повреждению двигателя. Используйте только оригинальные запасные щетки DREMEL.

1. Отключите инструмент от сети и положите его на чистую поверхность.
2. Снимите две крышки щеток при помощи ключа.
3. Снимите две щетки с инструмента, оттянув фиксирующие пружины.
4. Осмотрите обе щетки. Если длина щетки составляет менее 3 мм и/или ее поверхность неровная или покрыта углублениями, замените графитовую щетку на новую:
 - снимите пружину с щетки,
 - утилизируйте старую щетку и наденьте пружину на новую.
5. Установите графитовую щетку с пружиной на место (щетка устанавливается только в одном положении).
6. Замените крышки щетки, повернув их по часовой стрелке (используйте ключ, **не затягивайте их слишком сильно**).

ПРИМЕЧАНИЕ. В случае износа одной щетки, чтобы обеспечить максимальную производительность инструмента, следует заменить обе щетки.

Наиболее эффективно инструмент можно очистить с помощью сжатого сухого воздуха. **При очистке инструментов с помощью сжатого воздуха необходимо всегда использовать защитные очки.**

▲ ВО ИЗБЕЖАНИЕ НЕСЧАСТНЫХ СЛУЧАЕВ ИНСТРУМЕНТ И/ЛИ ЗАРЯДНОЕ УСТРОЙСТВО НЕОБХОДИМО ОТКЛЮЧАТЬ ОТ ИСТОЧНИКА ПИТАНИЯ ПЕРЕД ОЧИСТКОЙ

Вентиляционные отверстия и переключатели должны быть чистыми и не содержать посторонних материалов. Не пытайтесь очистить инструмент, вставляя острые объекты через отверстие.

▲ НЕКОТОРЫЕ ЧИСТЯЩИЕ СРЕДСТВА И РАСТВОРИТЕЛИ МОГУТ ПОВРЕДИТЬ ПЛАСТМАССОВЫЕ ЧАСТИ. Например: бензин, тетрахлорид углерода, растворители на основе хлора,

нашатырный спирт и бытовые моющие средства, содержащие нашатырный спирт.

СЕРВИС И ГАРАНТИЙНОЕ ОБСЛУЖИВАНИЕ

Мы рекомендуем пользоваться для обслуживания инструмента услугами сервисного центра Dremel. На данную продукцию Dremel распространяется гарантия в соответствии с законодательными положениями, принятыми в стране продажи и эксплуатации. Гарантия не распространяется на повреждения, возникающие в результате нормального износа и неправильной эксплуатации. В случае возникновения претензий инструмент и/или зарядное устройство следует отправить дилеру в неразобранном виде вместе с документом, подтверждающим факт совершения покупки.

СЕРВИС И КОНСУЛЬТИРОВАНИЕ НА ПРЕДМЕТ ИСПОЛЬЗОВАНИЯ ПРОДУКЦИИ

Сервисная мастерская ответит на все Ваши вопросы по ремонту и обслуживанию Вашего продукта и запчастям. Монтажные чертежи и информацию по запчастям Вы найдете также по адресу www.bosch-pt.com. Коллектив сотрудников Bosch, предоставляющий консультации на предмет использования продукции, с удовольствием ответит на все Ваши вопросы относительно нашей продукции и ее принадлежностей. Пожалуйста, во всех запросах и заказах запчастей обязательно указывайте 10-значный товарный номер по заводской табличке изделия.

ДЛЯ РЕГИОНА РОССИЯ, БЕЛАРУСЬ, КАЗАХСТАН

Гарантийное обслуживание и ремонт электроинструмента, с соблюдением требований и норм изготовителя производится на территории всех стран только в фирменных или авторизованных сервисных центрах «Роберт Бош».

ПРЕДУПРЕЖДЕНИЕ! Использование контрафактной продукции опасно в эксплуатации, может привести к ущербу для Вашего здоровья. Изготовление и распространение контрафактной продукции преследуется по закону в административном и уголовном порядке.

Россия

Уполномоченная изготовителем организация:
ООО «Роберт Бош»
Вашутинское шоссе, вл. 24 141400, г. Химки, Московская обл. Россия
Тел.: 8 800 100 8007 (звонок по России бесплатный)
E-mail: info.powertools@ru.bosch.com
Полную и актуальную информацию о расположении сервисных центров и приёмных пунктов Вы можете получить:
– на официальном сайте www.bosch-pt.ru
– по телефону справочно - сервисной службы Bosch 8 800 100 8007 (звонок по России бесплатный)

Беларусь

ИП «Роберт Бош» ООО
Сервисный центр по обслуживанию электроинструмента ул. Тимирязева, 65А-020
220035, г. Минск Беларусь
Тел.: +375 (17) 254 78 71
Тел.: +375 (17) 254 79 16
Факс: +375 (17) 254 78 75
E-mail: pt-service.by@bosch.com
Официальный сайт: www.bosch-pt.by

Казахстан

Центр консультирования и приема претензий
ТОО «Роберт Бош» (Robert Bosch)
050012 г. Алматы, Казахстан
ул. Муратбаева, д. 180, БЦ «Гермес», 7й этаж
Тел.: 8 800 100 8025
E-mail: ptka@bosch.com
Полную и актуальную информацию о расположении сервисных центров и приемных пунктов Вы можете получить на официальном сайте www.bosch-pt.kz

КАК СВЯЗАТЬСЯ С КОМПАНИЕЙ DREMEL

Для получения дополнительной информации по сервису и гарантийному обслуживанию, ассортименту товаров Dremel, службе поддержки и технической поддержке по телефону посетите сайт www.dremel.com.

ШУМ И ВИБРАЦИЯ

3000

Уровень звукового давления (стандартное отклонение 3 дБ) дБ(А)	77,1
Уровень звуковой мощности (стандартное отклонение 3 дБ) дБ(А)	88,1
Вибрация (векторная сумма по трем осям) м/с ²	12,8
Вибрация, коэфф. охвата К, м/с ²	1,5

4000

Уровень звукового давления (стандартное отклонение 3 дБ) дБ(А)	78,0
Уровень звуковой мощности (стандартное отклонение 3 дБ) дБ(А)	89,0
Вибрация (векторная сумма по трем осям) м/с ²	11,4
Вибрация, коэфф. охвата К, м/с ²	1,5

4300

Уровень звукового давления (стандартное отклонение 3 дБ) дБ(А)	74,4
Уровень звуковой мощности (стандартное отклонение 3 дБ) дБ(А)	85,4
Вибрация (векторная сумма по трем осям) м/с ²	9,0
Вибрация, коэфф. охвата К, м/с ²	1,5

ПРИМЕЧАНИЕ. Указанный общий уровень вибрации измерен в соответствии со стандартной методикой исследований и может использоваться для сравнения инструментов между собой. Также он может использоваться для предварительной оценки воздействия.

Распространение вибрации во время фактического использования электроинструмента может отличаться от указанного общего значения в зависимости от способа применения инструмента.

Оценить распространение в реальных условиях использования и применить соответствующие меры безопасности для личной защиты (необходимо учитывать все части рабочего цикла, такие как время, когда инструмент выключен, время, когда инструмент работает на холостом ходу, а также время фактической работы инструмента).

УТИЛИЗАЦИЯ

Инструмент, принадлежности и упаковка должны быть утилизированы в соответствии с действующими нормами по защите окружающей среды.

ТОЛЬКО ДЛЯ СТРАН-ЧЛЕНОВ ЕС

Согласно Европейской Директиве 2012/19/ЕЭС о старых электрических и электронных инструментах

и приборах, а также о претворении этой директивы в национальное право, отслужившие свой срок электроинструменты должны отдельно собираться и сдаваться на экологически чистую утилизацию.

Приложение к инструкции по эксплуатации изделия (действует только на территории стран Таможенного Союза в рамках Евразийского экономического Сообщества)

- **Внимательно ознакомьтесь с указаниями по технике безопасности, которые находятся в инструкции по эксплуатации изделия в разделе «Указания по безопасности»**
- **Внимательно ознакомьтесь с дополнительной информацией, приведенной ниже**

Срок службы изделия

Срок службы изделия составляет 7 лет. Не рекомендуется к эксплуатации по истечении 5 лет хранения с даты изготовления без предварительной проверки (дату изготовления см. на этикетке).

Перечень критических отказов и ошибочные действия персонала или пользователя

- не использовать с поврежденной рукояткой или поврежденным защитным кожухом
- не использовать при появлении дыма непосредственно из корпуса изделия
- не использовать с перебитым или оголенным электрическим кабелем
- не использовать на открытом пространстве во время дождя (в распыляемой воде)
- не включать при попадании воды в корпус
- не использовать при сильном искрении
- не использовать при появлении сильной вибрации

Критерии предельных состояний

- перетёрт или повреждён электрический кабель
- поврежден корпус изделия

Тип и периодичность технического обслуживания

Рекомендуется очистить инструмент от пыли после каждого использования.

Хранение

- необходимо хранить в сухом месте
- необходимо хранить вдали от источников повышенных температур и воздействия солнечных лучей
- при хранении необходимо избегать резкого перепада температур
- хранение без упаковки не допускается
- подробные требования к условиям хранения смотрите в ГОСТ 15150 (Условие 1)

Транспортировка

- категорически не допускается падение и любые механические воздействия на упаковку при транспортировке
- при разгрузке/погрузке не допускается использование любого вида техники, работающей по принципу зажима упаковки
- подробные требования к условиям транспортировки смотрите в ГОСТ 15150 (Условие 5)

ВНИМАНИЕ!

В случае возникновения перебоя в работе электроинструмента вследствие полного или частичного прекращения энергоснабжения или повреждения цепи управления энергоснабжением установите выключатель в положение Выкл., убедившись, что он не заблокирован (при его наличии). Отключите сетевую вилку от розетки или отсоедините съёмный аккумулятор. Этим предотвращается неконтролируемый повторный запуск.

ЖАЛПЫ

Сәйкестікті растау туралы ақпарат, өндірілген елі, сондай-ақ тауардың өндірілген күнін нұсқаулықтың артық қақпағында табасыз. Импорттер туралы байланыс ақпараты қаптамада бар.

ПАЙДАЛАНЫЛАТЫН БЕЛГІЛЕР

- ① ОСЫ НҰСҚАУЛАРДЫ ОҚЫҢЫЗ
- ② ЕСТУ МҮШЕСІН ҚОРҒАЙТЫН БҰЙЫМДЫ ПАЙДАЛАНУ
- ③ КӨЗДІ ҚОРҒАУ ҚҰРАЛЫН ПАЙДАЛАНУ
- ④ ШАҢНАН ҚОРҒАЙТЫН МАСКАНЫ ПАЙДАЛАНУ
- ⑤ II КЛАСҚА СӘЙКЕС ҚҰРЫЛҒАН
- ⑥ ҚҰАТ ҚҰРАЛДАРЫН ТҰРМЫСТЫҚ ҚОҚЫСҚА ТАСТАМАҢЫЗ

ЭЛЕКТР ҚҰРАЛЫНЫҢ ҚАУІПСІЗДІГІ БОЙЫНША ЖАЛПЫ ЕСКЕРТУЛЕР

НАЗАР АУДАРЫҢЫЗ **БАРЛЫҚ ҚАУІПСІЗДІК ЕСКЕРТУЛЕРІ МЕН НҰСҚАУЛАРЫН ОҚЫҢЫЗ**

Ескертулер мен нұсқауларды орындамау салдарынан ток соғуы, өрт шығуы және/немесе ауыр жарақат алу жағдайлары туындауы мүмкін. **Барлық ескертулер мен нұсқауларды болашақта қарау үшін сақтап қойыңыз.** Ескертулердегі «электр құралы» термині электр желісінен жұмыс істейтін (сымды) немесе батареямен жұмыс істейтін (сымсыз) электр құралын білдіреді.

ЖҰМЫС ОРНЫНЫҢ ҚАУІПСІЗДІГІ

- a. Жұмыс орны таза әрі жарық жақсы тусетін болуы қажет. Жұмыс орнының таза емес немесе қараңғы болуы оқыс оқиғалардың пайда болуына себеп болады.
- b. Электр құралдарын тұтанғыш сұйықтықтар, газдар немесе шаң бар жер сияқты жарылысқа қауіпті орталарда пайдаланбаңыз. Электр құралдары шаң немесе түтінді тұтандыруы мүмкін ұшқындар шығарады.
- c. Электр құралын пайдаланған кезде балалар мен айналадағы адамдар алшақ тұруы қажет. Басқа нәрсеге алаңдау салдарынан зейін жоғалтуыңыз мүмкін.

ЭЛЕКТР ЖҮЙЕЛЕРІН ПАЙДАЛАНУДАҒЫ ҚАУІПСІЗДІК ТЕХНИКАСЫ

- a. Электр құралының штепсельдері розеткаға сәйкес келуі қажет. Ешқандай штепсельді өзгертпеңіз. Ешқандай адаптер штепсельдерін (жерге) тұйықталған электр құралдарымен бірге пайдаланбаңыз. Өзгертілмеген штепсельдер мен сәйкес келетін розеткалар электр тогының соғу қаупін азайтады.
- b. Құбырлар, радиаторлар, газ плиталары және тоназытқыштар сияқты жерге тұйықталған заттарға денеңізді тигізбеңіз. Денеңіз жерге тұйықталса, электр тогының соғу қаупі артады.
- c. Электр құралдарын жаңбырдан және ылғалдан сақтаңыз. Электр құралына су кірсе, электр тогы соғуы мүмкін.

- d. Кабельді тек орнымен пайдаланыңыз. Электр құралының кабелін оны тасу, тарту немесе қуат көзінен ажырату үшін пайдаланбаңыз. Сымды жоғары температурадан, май, өткір шеттер немесе жылжымалы бөлшектерден алшақ ұстаңыз. Зақымдалған немесе шатасқан сымдар электр тогының соғу қаупін арттырады.
- e. Электр құралын сыртта пайдаланған кезде, далада пайдалануға болатын ұзартқыш сымды пайдаланыңыз. Далада пайдалануға болатын сымды пайдаланғанда электр тогының соғу қаупі азаяды.
- f. Ылғал жерде электр құралын пайдалануға тура келсе, қорғанысты өшіру құрылғысымен (ҚӨҚ) қорғалған жабдықты пайдаланыңыз. ҚӨҚ пайдаланғанда электр тогының соғу қаупі азаяды.

ЖЕКЕ ҚАУІПСІЗДІК

- a. Электр құралын пайдаланған кезде абай болыңыз, не істеп жатқаныңызға қараңыз және зейін қойыңыз. Шаршап тұрсаңыз немесе есірткі, ішімдік немесе дәрі-дәрмек қабылдаған болсаңыз, электр құралын пайдаланбаңыз. Электр құралдарын пайдаланған кезде алаңғасарлық салдарынан жеке ауыр жарақат алуыңыз мүмкін.
- b. Жеке қорғаныс жабдығын пайдаланыңыз. Өрқашан кезді қорғау бұйымын киіңіз. Шаңнан қорғайтын маска, сырғанамайтын арнайы аяқ-киім, каска немесе есту мүшесін қорғайтын бұйым сияқты қорғаныс жабдығын тиісті жағдайларда пайдаланғанда жеке жарақат алу қаупі азаяды.
- c. Электр құралының абайсызда іске қосылуына ұстап тасымалдау немесе қосқыш қосуды күйде қуаттандыру салдарынан оқыс оқиғалар орын алуы мүмкін.
- d. Электр құралын іске қоспас бұрын оны реттеу үшін пайдаланған барлық құралдар мен кілттерді алып тастаңыз. Электр құралының айналатын бөлігіндегі құралдар мен кілттер дене жарақатына себеп болуы мүмкін.
- e. Жұмыс кезінде электр құралын қатты тартпаңыз. Тұрақты қалыпта тұрыңыз және тепе-теңдік сақтаңыз. Бұл кездейсоқ жағдайларда электр құралын дұрыс басқаруға мүмкіндік береді.
- f. Арнайы киім киіңіз. Кең киім, әшекей немесе ұзын шаш жылжымалы бөлшектерге ілініп қалуы мүмкін.
- g. Құралдармен бірге шаң сору және шаң жинау жүйесі қамтамасыз етілсе, олардың дұрыс жалғанып, пайдаланылатынына көз жеткізіңіз. Шаңсорғыштарды пайдалану шаңға қатысты қауіптерді азайтады.

ЭЛЕКТР ҚҰРАЛЫН ПАЙДАЛАНУ ЖӘНЕ КҮТІМ КӨРСЕТУ

- a. Электр құралына артық жүктеме түсірмеңіз. Электр құралын тек мақсатына сай пайдаланыңыз. Дұрыс электр құралы өзінің арнайы жылдамдығында жұмысты өдеуі тиімді әрі қауіпсіз орындайды.
- b. Қосқышы зақымданған электр құралын пайдаланбаңыз. Қосқыш арқылы басқарылмайтын кез келген электр құралы қауіпті және оны жөндеу қажет.
- c. Реттеу әрекеттерін орындау, аксессуарларды өзгерту немесе жұмысты аяқтаудан кейін

штепсельді қуат көзінен және/немесе батареядан ажыратыңыз. Мұндай сақтық шаралары электр құралының кездейсоқ іске қосылу қаупін азайтады.

- d. Пайдаланбайтын электр құралдарын балалардың қолы жетпейтін жерде сақтаңыз. Электр құралымен немесе осы нұсқаулармен таныс емес адамға құралды пайдалануға рұқсат бермеңіз. Электр құралдары жаттықтырылмаған пайдаланушылар қолында қауіп тудырады.
- e. Электр құралдарына техникалық қызмет көрсетіңіз. Жылжымалы бөлшектердің қисанын немесе шатасуын, бөлшектердің бұзылуын және механикалық құралдардың жұмысына әсер етуі мүмкін барлық жағдайды тексеріңіз. Зақым бар болса, электр құралын пайдаланбас бұрын, оны жөндеңіз. Көптеген оқыс оқиғалар электр құралдарына дұрыс емес техникалық қызмет көрсету салдарынан орын алады.
- f. Кескіш құралдарды өткір және таза күйде ұстаңыз. Тиісті түрде техникалық қызмет көрсетілген шеттері өткір кескіш құралдар бүгіліп қалмайды және оларды басқару оңай болады.
- g. Жұмыс жағдайларын және орындау қажет жұмысты назарға ала отырып, электр құралын, аксессуарларды және алмалы-салмалы кескіштерді және т. б. осы нұсқауларға сәйкес пайдаланыңыз. Электр құралын мақсатты пайдаланудан басқаша пайдаланғанда қауіпті жағдай орын алуы мүмкін.

ҚЫЗМЕТ КӨРСЕТУ

- a. Электр құралына қызмет көрсету жұмысын тек түпнұсқа қосалқы бөлшектер пайдаланатын білікті маманға тапсырыңыз. Бұл электр құралы қауіпсіздігінің сақталуын қамтамасыз етеді.

БАРЛЫҚ ЖҰМЫСТАРҒА АРНАЛҒАН ҚАУІПСІЗДІК НҰСҚАУЛАРЫ

ТЕГІСТЕУ, ҚҰММЕН ТЕГІСТЕУ, СЫМ ҚЫЛШАҚПЕН ТАЗАЛАУ, ЖЫЛТЫРАТУ, ЖОНУ НЕМЕСЕ ЫСҚЫШ ОУ ЖҰМЫСТАРЫ ҮШІН ОРТАҚ ҚАУІПСІЗДІК ЕСКЕРТУЛЕРІ

- a. Бұл электр құралы тегістеу аспабы, құммен тегістеу құралы, сым қылшақ, жылтырату аспабы, жону немесе оу құралы сияқты жұмыс істеуге арналған. Осы электр құралымен бірге берілген барлық ескертулер, нұсқаулар, суреттер және сипаттамаларды оқыңыз. Төменде көрсетілген барлық нұсқауларды орындамау салдарынан электр тогының соғуы, өрт және/немесе ауыр жарақат орын алуы мүмкін.
- b. Арнайы жасалмаған және құрал өндірушісі арқылы ұсынылмаған аксессуарларды пайдаланбаңыз. Аксессуарды тек электр құралына бекітуге болғандықтан ол қауіпсіз жұмыс істеуіне кепілдік бермейді.
- c. Тегістеу аксессуарларының номиналды жылдамдығы кемінде электр құралында белгіленген максималды жылдамдыққа тең болуы қажет. Өздерінің номиналды жылдамдығынан жоғары жылдамдыққа жұмыс істейтін тегістеу аксессуарлары бұзылып, ұшып кетуі мүмкін.
- d. Аксессуарлардың сыртқы диаметрі мен қалыңдығы электр құралының сыйымдылық есебі ауқымында болуы қажет. Өлшемі дұрыс емес аксессуарларды дұрыс басқару мүмкін емес.
- e. Дөңгелектер, құммен тегістеу барабандары немесе кез келген басқа аксессуарлар білігінің

өлшемі электр құралының шпинделі немесе цапгасына сәйкес келуі қажет. Электр құралының бекіту құралдарына сәйкес келмейтін аксессуарлар тепе-теңдіктен шығып, қатты дірілдейді және басқаруды жоғалтуға әкелуі мүмкін.

- f. Жақтауға орнатылған дөңгелектер, құммен тегістеу барабандары, кескіштер немесе басқа аксессуарлар цапга немесе патронға толығымен енгізілуі қажет. Жақтау жеткіліксіз бекітілсе және/немесе дөңгелек қатты шығып тұрса, орнатылған дөңгелек босап, жоғары жылдамдықта шығып кетуі мүмкін.
- g. Зақымдалған аксессуарды пайдаланбаңыз. Өр пайдалану алдында ысқыш дөңгелек сияқты аксессуардың сынуын және сызат тусуын, құммен тазалау барабанының жарылуын, сынуын немесе тозуын, сым қылшақтың босауын немесе сымдардың сынуын тексеріңіз. Электр құралы немесе аксессуар жерге құласа, зақымдалуын тексеріңіз немесе зақымдалмаған аксессуар орнатыңыз. Аксессуарды тексеріп, орнатқаннан кейін, айналатын аксессуар жазықтығынан өзіңіз және айналадағы адамдар алшақ тұруы қажет, содан кейін электр құралын жүктемесіз максималды жылдамдықта бір минут ішінде іске қосыңыз. Зақымдалған аксессуарлар осы сынақ кезінде сынып қалады.
- h. Жеке қорғаныс жабдығын киіңіз. Қолданысқа байланысты қорғаныс маскасын және қорғаныс көзілдірігін киіңіз. Сәйкесінше шаңнан қорғайтын маска, есту мүшесін қорғайтын бұйым, қолғап және ұсақ ысу немесе өңдеу сынықтарынан қорғайтын алжапқыш киіңіз. Көзді қорғау бұйымы өртүрлі жұмыстардан пайда болатын қалдықтардың ұшуынан қорғай алатын болуы қажет. Шаңнан қорғайтын маска немесе респиратор жұмыстан пайда болатын бөлшектерді сүзе алуы қажет. Ұзақ уақыт жоғары қарқындылықтағы шу әсері есту қабілетін жоғалтуға әкелуі мүмкін.
- i. Айналадағы адамдар жұмыс аймағынан қауіпсіз қашықтықта тұруы қажет. Жұмыс аймағына кіретін көз келген адам жеке қорғаныс жабдығын киюі тиіс. Өңдеу немесе сынған аксессуар сынықтары ұшып, жұмыс аймағына жақын жерде жарақат келтіруі мүмкін.
- j. Кескіш аксессуар жасырын сымға немесе өзінің сымына тиіп кетуі мүмкін болған жұмысты орындау барысында механикалық құралды тек оқшауланған қысқышпен ұстаңыз. Қысым үстіндегі сымға тиетін кескіш аксессуар электр құралының ашық металл бөлшектеріне қысым өткізуге және операторға электр тогының соғуы мүмкін.
- k. Іске қосқан кезде ерқашан құралды (өкі) қолыңызбен мықтап ұстаңыз. Мотордың реактивті айналдыру моменті толық жылдамдыққа дейін артқан кезде құралдың айналуына әкелуі мүмкін.
- l. Қолайлы кезде өңдейтін бөлшекті тіреу үшін қысқыштарды пайдаланыңыз. Қолданыс кезінде кіші өңдейтін бөлшекті бір қолыңызбен, құралды екінші қолыңызбен ешқашан ұстамаңыз. Кіші өңдейтін бөлшекті қысқанда құралды (өкі) қолыңызбен басқара аласыз. Істіктер, құбырлар немесе түтік сияқты дөңгелек материалды кескен кезде айналады және кескіштің қисаюы немесе сізге қарай ұшып кетуі мүмкін.
- m. Сымды айналатын қондырмадан алшақ орнатыңыз. Басқаруды жоғалтсаңыз, сым үзіліп немесе ілінгі, қолыңыз айналып жатқан аксессуарға тартылуы мүмкін.

- p. **Аксессуар толығымен тоқтағанға дейін электр құралын қоймаңыз.** Айналатын аксесуар беткейде тиіп, электр құралын тартып кетсе, оны басқарудан жоғалтуыңыз мүмкін.
- o. **Кескіштерді ауыстырғаннан кейін немесе кез келген реттеу әрекетін орындағаннан кейін цапна гайкасы, патрон немесе кез келген басқа реттеу құрылғылары мықтап бекітілгеніне көз жеткізіңіз.** Босап қалған реттеу құрылғылары кездейсоқ жылжып, басқаруды жоғалтуға, босап қалған айналатын құрамдасстар қатты ұшып кетуіне әкелуі мүмкін.
- p. **Электр құралын езіңізбен бірге алып жүрген кезде оны іске қоспаңыз.** Айналып тұрған аксесуарларға кездейсоқ тиіп кеткенде күйміңізді іліп, аксесуарды дененіңізге тартуы мүмкін.
- q. **Электр құралының ауа желдеткіштерін үнемі тазалап отырыңыз.** Мотор желдеткіші корпус ішінде шаң жинайды және ұнтақталған металдың көп жиналуы электр тогына қатысты оқыс оқиғалардың орын алуына әкелуі мүмкін.
- r. **Электр құралын тұтанғыш материалдардың жанында пайдаланбаңыз.** Ұшқындар осы материалдарды тұтандыруы мүмкін.
- s. **Сұйық салқындатқыштарды қажет ететін аксесуарларды пайдаланбаңыз.** Су немесе басқа сұйық салқындатқыштарды пайдаланғанда электр тогының соғуы мүмкін.

СЕРПУ ЖӘНЕ ОҒАН ҚАТЫСТЫ ЕСКЕРТУАЛР

Серпу - қысылған немесе ілініп қалған айналмалы дөңгелек, құммен тегістеу таспасы, қылшақ немесе кез келген басқа аксесуардың кенет реакциясы. Қысу немесе сыдыру айналып тұрған аксесуардың жылдам құлауына әкеледі, ал бұл бақылаусыз тұрған электр құралының аксесуар бұрылысына қарсы бағытта күш салуына әкеледі.

Мысалы, ысқыш дөңгелек ілінсе немесе өңдеу бөлшегіне қысылып қалса, қысылатын орынға кіретін дөңгелектің шеті материалдың беткі жағына кіріп, дөңгелектің шығып кетуіне немесе ұрып сынуына әкелуі мүмкін. Қысу нүктесіндегі дөңгелек қозғалысының бағытына байланысты дөңгелек операторға қарай немесе керісінше ұшып кетуі мүмкін. Сондай-ақ, мұндай жағдайда ысқыш дөңгелектер сынуы мүмкін.

Кері соққы электр құралын дұрыс пайдаланбау және/немесе қате жұмыс процедураларының нәтижесінде пайда болады және оның алдын алу үшін төмендегі сақтық шараларын қолданыңыз.

- a. **Электр құралын мықтап ұстаңыз және кері күштерге қарсы тұра алатын күйде тұрыңыз.** Тіксіті сақтық шаралар қабылданған болса, оператор серпу күштерін басқара алады.
- b. **Бұрыштарды, өткір шеттерді және т. б. өңдеген кезде мұқият күтім көрсетіңіз.** Аксесуардың ұшып кетуін және сыдыруын болдырмаңыз. Бұрыштар, өткір шеттер немесе ұшатын бөлшектер айналатын аксесуарды ұстап, басқару немесе серпу мүмкіндігін жоғалтады.
- c. **Тісті ара дискісін бекітпеңіз.** Мұндай жүздер жиі серпіліп, басқаруды жоғалтады.
- d. **Өрқашан кескішті кесілетін жер материалдан (үгінді лақтырылған бағытпен бірдей) шығатын бір бағыттағы материалға салыңыз.** Құралды дұрыс емес бағытқа салғанда кескіштің кесетін жері жұмыс аймағынан шығып, құралды осы арна бағытына тартады.
- e. **Айналатын роторлық картотекалық өгеулер, ою дөңгелектері, жоғары жылдамдықты кескіштер немесе вольфрам қатты қорытпа фрезаларын пайдаланған кезде, өрқашан оларды мықтап бекітіңіз.** Осы дөңгелектер ойықта ақырын

еңкейтілсе, ұсталады және серпіле алады. Ою дөңгелегі ұсталған кезде, дөңгелек әдетте сынады. Айналатын роторлық картотекалық өгеу, жоғары жылдамдықты кескіш немесе вольфрам қатты қорытпа фрезалары ұсталған кезде, ойықтан ұшып, құралды басқарудан жоғалтуыңыз мүмкін.

ТЕГІСТЕУ ЖӘНЕ ЫСҚЫШ ОЮ ЖҰМЫСТАРЫНА АРНАЛҒАН ҚАУІПСІЗДІК ЕСКЕРТУАЛРІ

- a. **Электр құралы және қолданыстар үшін ұсынылған дөңгелек түрлерін ғана пайдаланыңыз.** Мысалы: ою дөңгелегінің шетімен тегістеңіз. Ысқыш ою дөңгелектері перифериялық тегістеуге арналған, осы дөңгелектерге қолданылған бүйірлік күштер оларды сындыруы мүмкін.
- b. **Ойылған ысқыш конустар мен тығындар үшін өлшемі мен ұзындығы дұрыс фланеці босатылмаған зақымсыз дөңгелек жақтауларын пайдаланыңыз.** Дұрыс жақтаулар бұзылу қаупін азайтады.
- c. **Ою дөңгелегін қажамаңыз немесе шамадан тыс қысым қолданбаңыз.** Шамадан тыс терең ойық оюға әрекет жасамаңыз. Дөңгелекке шамадан тыс қысым түсіргенде кесілген жердегі дөңгелекке жүктеме түсіру және айналу немесе іліну қабілеті және серпу немесе дөңгелектің сыну мүмкіндігі артады.
- d. **Қолыңызды айналып жатқан дөңгелек қасына немесе артына қоймаңыз.** Аспаптың кескіш бөлігіндегі дөңгелек қолыңыздан әрі қарай жылжыған кезде, ықтимал серпу әрекеті айналмалы дөңгелек пен электр құралын тікелей сізге қарай итеруі мүмкін.
- e. **Дөңгелек қысылып, ілініп қалған кезде немесе кез келген себеппен кесу әрекетін тоқтатқан кезде, дөңгелек толығымен тоқтағанша электр құралын өшіріп, электр құралын қозғалтпа ұстап тұрыңыз.** Дөңгелек қозғалыста болған кезде ою дөңгелегін кесілген жерден алып тастауға еңқашан әрекет жасамаңыз, ийтпесе серпу орын алуы мүмкін. Дөңгелектің қысылуы немесе ілінуі себебін жою үшін зерттеп, түзету әрекетін орындаңыз.
- f. **Өңдеу бөлшегінде кесу әрекетін қайта бастамаңыз.** Дөңгелекке толық жылдамдыққа жетуіне мүмкіндік беріңіз және кесілген жерге қайта кіргізіңіз. Электр құралы өңдеу бөлшегінде қайта іске қосылса, дөңгелек қисаюы, жүріп кетуі немесе серпілуі мүмкін.
- g. **Дөңгелектің қысылу немесе серпілу қаупін азайту үшін панельдер немесе кез келген өлшемді үлкейтілген өңдеу бөлшегін тіреңіз.** Үлкен өңдеу бөлшектері өз салмағына байланысты еңкеюі мүмкін. Тіректерді дөңгелектің екі жағындағы кесу орнының қасындағы және өңдеу бөлшегінің шетіне жақын өңдеу бөлшегінің астына жылжыту керек.
- h. **Бар қабырғалар немесе басқа тыныш жерлерге “қалта кесігін” жасаған кезде аса сақ болыңыз.** Шығып тұрған дөңгелек газ немесе су құбырлары, электрлік сымды немесе серпілуге әкелуі мүмкін нысандарды кесіп кетуі мүмкін.

СЫМ ҚЫЛШАҚПЕН ТАЗАЛАУ ЖҰМЫСТАРЫНА АРНАЛҒАН ҚАУІПСІЗДІК ЕСКЕРТУАЛРІ

- a. **Қылшақ сым қылдарын кәдімгі жұмыс кезінде де лақтыратынын есте сақтаңыз.** Қылшаққа шамадан тыс жүктеме қолдану арқылы сымдарға шамадан тыс қысым түсірмеңіз. Сым қылдар жеңіл кийме және/немесе теріге оңай кіріп кетуі мүмкін.

- б. Қылшақтарды пайдаланбас бұрын жұмыс жылдамдығында кемінде бір минут жұмыс істеуіне мүмкіндік беріңіз. Осы уақытта ешкім қылшақ алдында немесе қасында тұрмауы керек. Қылдарды немесе сымдарды босатсаңыз, іске қосқан кезде шығарылады.
- с. Айналып жатқан сым қылшақтың босауын өзіңізден әрі қарай бағыттаңыз. Осы қылшақтарды пайдаланған кезде кішкентай бөлшектер мен сымның ұсақ сынықтары жоғары жылдамдықпен ұшып, теріңізге кіріп кетуі мүмкін.
- д. Сым қылшақтарды пайдаланған кезде жылдамдықты 15 000 айн/мин шамасынан арттырмаңыз

▲ ҚҰРАМЫНДА АСБЕСТ БАР МАТЕРИАЛДАРМЕН ЖҰМЫС ІСТЕМЕҢІЗ (асбест канцерогенді деп есептеледі)

▲ ЖҰМЫС КЕЗІНДЕ ШАҢ ДЕНСАУЛЫҚҚА ҚАУІП ТӨНДІРУ, ТҰТАНУ НЕМЕСЕ ЖАРЫЛЫСҚА ӘКЕЛУ МҮМКІН КЕЗДЕ САҚТЫҚ ШАРАЛАРЫН ҚАБЫЛДАҢЫЗ (көйбір шаң түрлері канцерогенді деп есептеледі); шаңнан қорғайтын масканы киіп, шаңды/үгіндіні тарту жабдығы жалғанған кезде жұмыс істеңіз

ТЕХНИКАЛЫҚ СИПАТТАМАЛАР

Үлгі нөмірі 3000
 Кіріс 130 Вт
 Кернеуі 230 В, 50 Гц
 Жылдамдық 33 000/мин
 Цанга сыйымдылығы. . . 3,2 мм
 Макс. аксессуар Ø. 38,1 мм
 Салмағы 0,5 кг

Үлгі нөмірі 4000
 Кіріс 175 Вт
 Кернеуі 230-240 В, 50-60 Гц
 Жылдамдық 35 000/мин
 Цанга сыйымдылығы. . . 3,2 мм
 Макс. аксессуар Ø. 38,1 мм
 Салмағы 0,6 кг

Үлгі нөмірі 4300
 Кіріс 175 Вт
 Кернеуі 220-240 В, 50-60 Гц
 Жылдамдық 35 000/мин
 Цанга сыйымдылығы. . . 0,8-3,4 мм
 Макс. аксессуар Ø. 38,1 мм
 Салмағы 0,6 кг

Толығымен тарқатылған және 5 А сыйымдылықтағы қауіпсіз ұзартқыш сымдарын пайдаланаңыз. Өрқашан кернеу көзі құралдың төлқұжат тақтайшасында көрсетілген кернеумен бірдей екенін тексеріңіз.

ЖАЛПЫ ⑦

- A. Цанга гайкасы
 B. Цанга
 C. Алдыңғы қақпақ (EZ Twist біріктірілген бұрауыш кілті*)
 D. Білікті құлыптау түймесі
 E. Қосу/өшіру және өзгермелі жылдамдық сырғыту қосқышы (3000)
 E. Қосу/өшіру қосқышы (4000/4300)
 F. Ілгіш
 G. Қылшақ қақпағы

- H. Желдету саңылаулары
 I. Өзгермелі жылдамдық циферблаты (4000/4300)
 J. Цанганың бұрауыш кілті
 K. Жарық модулі (4300)
 L. Dremel патроны (4300)
 *) стандартты жинаққа кірмейді

ЖАРЫҚ МОДУЛІ I ЖӘНЕ II (4300) ⑧

- M. Қосу/өшіру қосқышы
 N. Сырғытау (I)
 O. Бұранда
 P. Батарея бөлімі
 Q. Батареялар (2 x CR1025)
 R. Жаңа үлгідегі алдыңғы қақпақ
 S. Ескі үлгідегі алдыңғы қақпақ

Бұл қуат құралының жарығы тікелей қуат құралының жұмыс аймағын жарықтандыруға арналған және ол үй белмесін жарықтандыру үшін пайдалануға арналмаған.

Бұл өнім литий түйме/тиын тәрізді элементтер батареясын қамтиды. Егер жаңа немесе пайдаланылған литий түйме/тиын тәрізді элементтер батареясы жұтылса немесе дөнеге кірсе, бұл ауыр ішкі күйіктерді тудырып, 2 сағат ішінде өліммен аяқталуы мүмкін. Батарея бөлімін әрдайым толық бекітіңіз. Батарея бөлімі берік жабылмаса, өнімнің қолданысын тоқтатыңыз, батареяларды шығарыңыз және балалардан алшақ ұстаңыз. Батареялар жұтылған немесе дененің кез келген бөлігіне кірген деп ойласаңыз, дереу дәрігерге қаралыңыз.

БАСТАПҚЫ РЕТТЕУ

Жарықты алғаш рет пайдалану үшін, батарея бөлімінен батарея ілмегін шығарып алу қажет болады. Осы ілмекті тартып шығарыңыз да, жарықты жоғарғы жақтағы қосқыш арқылы тексеріп шығыңыз. Жарық жұмыс істемесе, батареялардың орнатылғанын және ілмектің толықтай шығарылғанын тексеру үшін шағын бұрауышты пайдаланыңыз.

БАТАРЕЯЛАРДЫ АУЫСТЫРУ

Жарық модуліне арналған батареяларды ауыстыру үшін, алдымен алдыңғы қақпағын бұрап босатып, жарық модулін шығарыңыз. Шығарылған соң, батарея бөліміндегі бұранданы босату үшін шағын бұрауышты пайдаланыңыз. Бұрауышты толығымен тартып шығармаңыз. Батарея бөлімінің корпусын модульдің астыңғы жағынан шығарып алыңыз. Ескі батареяларды сыртқа сырғытыңыз да, бастапқы батареялардың бағдарын есте сақтап, жаңа батареяларды салып қойыңыз. Жаңа батареялар қойылған соң, батарея бөлімінің корпусын ауыстырыңыз және бұранданы қайта бекемденіңіз. **Қайта құрастыру кезінде қосқыш пен сырғытпаның екеуі де ҚОСУЛЫ (I) немесе ӨШІРУЛІ (O) күйінде болғанына көз жеткізіңіз. Осылайша қосқыш сырғытпадағы “айырма” сай болады. (I)**

ОРНАТУ ЖӘНЕ ПАЙДАЛАНУ

Жарық модулін құралға орнату үшін, алдымен алдыңғы қақпағын құралдың ұшынан бұрап шығарыңыз. Жарық модулін жарығы алға қаратылған күйінде құралдың ұшына сырғытыңыз. Жарық модулінің сақинасын орнына қысып қою үшін, құралдың ұшындағы алдыңғы қақпақты қайта бекемденіңіз. **Жарық модулі тек құралмен бірге берілген жаңа стильдегі R алдыңғы қақпағымен жұмыс істейді.**

Жарықты қосу немесе өшіру үшін – сырғытпаны ҚОСУ немесе ӨШІРУ күйіне қойыңыз (I) – қосу/өшіру қосқышын басыңыз (II) Жарық модулінің орнын ауыстыру үшін, алдыңғы қақпақты жай ғана босатыңыз, жарық модулін қажетінше бұраңыз және алдыңғы қақпақты қайтадан бекемдеңіз.

АКССУАРЛАР

АКССУАРЛАРДЫ АУЫСТЫРМАС БҰРЫН ӨРДАЙЫМ ҚҰРАЛДЫ АЖЫРАТЫҢЫЗ

Dremel арқылы тексерілген, өнімділігі жоғары аксессуарларды ғана пайдаланыңыз. Dremel аксессуарын пайдалану туралы қосымша ақпарат алу үшін бірге берілген нұсқауларды міндетті түрде оқыңыз. Аксессуарлардың сынуын және сызат түсуін болдырмау үшін мұқият қолданып сақтаңыз.

АКССУАРЛАРДЫ АУЫСТЫРУ ⑨

- Цанга гайкасы
- Цанга (3,2 мм)
- Алдыңғы қақпақ (EZ Twist біріктірілген бұрауыш кілті*)
- Dremel патроны 4486*
- Білікті құлыптау түймесі
- Кілт

*) стандартты жинаққа кірмейді

- Білік құлпының түймесін басып, білік құлыпқа қосылғанша қолыңызбен айналдырыңыз. **Құрал жұмыс істеп тұрған кезде білік құлпын кіргізбеңіз.**
- Білік құлпы қосулы кезде, цанга гайкасын босатыңыз (алып тастамаңыз). Қажет болса, цанганың сомынды бұрайтын кілтін пайдаланыңыз.
- Кескіш немесе аксессуардың артқы ілмегін толығымен цангаға енгізіңіз.
- Білік құлпы қосулы кезде, цанга гайкасын бұрап бекітіңіз.

EZ TWIST БІРІКТІРІЛГЕН БҰРАУЫШ КІЛТІ ⑩

Осы алдыңғы қақпақтың стандартты сомынды бұрайтын кілтін пайдаланбай, цанга гайкасын босатуға және бекітуге мүмкіндік беретін біріктірілген сомынды бұрайтын кілті бар.

- Алдыңғы қақпақты құралдан босатып, қақпақтың ішіндегі болат ендірмені цанга гайкасымен теңестіріңіз.
- Білік құлпы қосулы күйде цанга гайкасын босату үшін алдыңғы қақпақты сағат бағытына қарсы бұрыңыз. **Құрал жұмыс істеп тұрған кезде білік құлпын кіргізбеңіз.**
- Кескіш немесе аксессуардың артқы ілмегін толығымен цангаға енгізіңіз.
- Білік құлпы қосулы күйде цанга гайкасын бекіту үшін алдыңғы қақпақты сағат бағытымен бұрыңыз.
- Алдыңғы қақпақты бастапқы орнына қайта бұрыңыз.

DREMEL ПАТРОНЫ 4486 (4300)

Dremel патроны Dremel құралдарындағы аксессуарларды цангаларды ауыстырмай жылдам әрі оңай ауыстыруға мүмкіндік береді. Артқы ілмегі 0,8 - 3,2 мм болатын аксессуарлар сыяды.

Босату үшін алдымен білік құлпының түймесін басып, білік құлпыға қосылғанша қолыңызбен айналдырыңыз.

Құрал жұмыс істеп тұрған кезде білік құлпын кіргізбеңіз.

Білік қосылғанда, патронды босату және қысқыштарды ашу үшін гайка кілтін немесе EZ Twist алдыңғы қақпағын пайдаланыңыз.

Патроннан аксессуарды алып тастаңыз. Қажет болса, жаңа аксессуар қысқыштар арасында орнатылуы үшін, патронды ары қарай босата беріңіз. Патронның ұшы мен аксессуар жұмыс бөлігінің басы арасында шамамен 6 мм бос орын болуы үшін, жаңа аксессуарды патрон ішіне жеткілікті арақашықтықпен енгізіңіз. Білік құлпы қосылғанда, аксессуарды бекіту үшін патронды EZ Twist алдыңғы қақпағымен немесе гайка кілтімен бекемдеңіз.

DREMEL ПАТРОНЫН ПАЙДАЛАНУ БОЙЫНША ПАЙДАЛЫ КЕҢЕСТЕР

- Dremel патроны және цанга мен цанга гайкасының жүйесі осы құралда өзара алмасуы мүмкін. Патрон аксессуарларды ауыстыру үшін үздік тәжірибе қамтамасыз етсе, цанга мен цанга гайкасы әсіресе ауырлау бүйірлік жүктемемен қолдану барысында аксессуарды дәліме-дәл ұстау шешімін ұсынады.
- Егер патронда сырғып жатқан аксессуар табылса, патронды бұрғы айналасында бекемдеу үшін жинақта берілген EZ Twist алдыңғы қақпағын немесе гайка кілтін пайдаланыңыз. Егер сырғу жойылмаса, цанга мен цанга гайкасын пайдалануға ауысыңыз.
- Патронның қысқыштары ауытқып кетіп, аксессуардың дұрыс және концентрлік режимде жұмыс істеуіне (шығып кетуіне) әкеп соғуы мүмкін.

Қысқыштарды қалпына келтіру үшін, келесі процедураны орындаңыз:

- Патроннан аксессуарды алып тастаңыз.
- Патронды тазалаңыз.
- Білік құлпының түймесін басып, қысқыштар патронның сыртқы бетінен шамамен 3 мм-ге шыққанша патронды бекемдеңіз.
- Қысқыштардың барлығы білік бойынша орныққанына сенімді болу үшін, патронның ұшын қатты тегіс бетке басыңыз.
- Қысқыштар толық жабылғанша патронды қолмен бекемдей беріңіз.
- Патронды босатыңыз да, тік аксессуарды қайта енгізіңіз.
- Құралды қолмен бұрап, шығып тұрған жерлердің бар-жоғын тексеріңіз. Егер шығып кеткені анық байқалса, процедураны қайталап шығыңыз.
- Білік құлпы қосылғанда, аксессуарды бекіту үшін патронды EZ Twist алдыңғы қақпағымен немесе гайка кілтімен бекемдеңіз.**
- Құралды ең төмен жылдамдық параметріне бұрап қойыңыз да, шығып кетпеуін қадағалаңыз. Егер шығып кеткені анық байқалса, процедураны қайталамас бұрын аксессуардың тік күйінде екенін тексеріңіз.

АКССУАРЛАРДЫ ТЕҢЕСТІРУ

Дәлдеп өңдеу үшін барлық аксессуарлар теңестірілген болуы маңызды (автокөліктегі шиналар сияқты).

Аксессуарды реттеу немесе теңестіру үшін цанга гайкасын ақырын босатып, аксессуар немесе цанганы 1/4 айналымға бұрыңыз. Цанга гайкасын қайта бекітіп, айналымды құралды іске қосыңыз.

Аксессуар теңестіріліп жұмыс істеп жатқанын дыбыс және сезу арқылы айта алатындай болу керек. Үздік тепе-теңдікке жеткенше осы күйде реттеуді жалғастыра беріңіз.

ТІРКЕМЕЛЕР

Dremel өнімін құралдың функционалдығын арттыруға арналған келесі тіркемелермен жабдықтауға болады:

- Икемді білік *) мұқият жұмыс немесе қол жеткіз қиын жерлер үшін (225 - 5-6 беттер).

- Шаң және ұшықтардан қорғануға арналған ыңғайлы қорғауыш тіркемесі (550 - 7-бет)
- Өртүрлі материалдарда реттелетін кесуге арналған әмбебап кесу жинағы (565/566 - 8-бет)
- Қабырға мен еденнің плиткалары арасындағы сұйық ерітіндіні тазалауға арналған қабырға және еденнің сұйық ерітіндісін тазалау жинағы (568 - 9-бет)
- Тік бұрышта қол жеткізу қиын жерлерде аксессуарларды пайдалануға арналған тік бұрыш тіркемесі (575 - 10-бет)
- Дәл 90° және 45° бұрыштарда тегістеу және құммен тегістеуге арналған пішіндеу платформасы (576 - 11-бет)
- Құралды жақсы басқаруға арналған техник-жобалаушы қысқышы (577 - 11-бет)
- Оңтайлы бұрышпен оңай әрі жылдам қайрауға арналған көгал шапқыш және бау-бақша құралы (675 - 12-бет)
- Дәл саңылаулар тесу және түзу етіп кесуге арналған сызық және шеңбер кескіш (678 - 13-бет)
- “EZ SpeedClic” аксессуарларын бекітуге арналған “EZ SpeedClic” білігі (14-бет)

**) Жаңа әрі икемді білікті бірінші рет пайдаланған кезде, оны жоғары жылдамдықта жұмыс істеп тұрған құралмен бірге тік күйінде екі минуттай ұстап тұрыңыз.*

ЕСКЕРТПЕ: Жоғарыда берілген тіркемелердің барлығы дерлік құралмен/жинақпен бірге стандартты түрде қамтылмайды

ПАЙДАЛАНУ

ЖҰМЫСҚА КІРІСУ

Көп функциялы құралды пайдалану бойынша бірінші қадам - оны “сезу”. Қолыңызда ұстап, оның салмағы мен тепе-теңдігін сезініңіз. Корпус конусын сезініңіз. Бұл конус құралға қалам немесе қарындаш сияқты ұсталуына мүмкіндік береді.

МАҢЫЗДЫ! Құрал жоғары жылдамдықта қалай жұмыс істейтінін көру үшін алдымен материал қиындыларында қолданып көріңіз. Дұрыс Dremel аксессуары және тіркемесімен бірге жылдамдыққа жұмысты сіз үшін жасауға мүмкіндік беру арқылы көп функциялы құрал жақсы жұмыс істейтінін есте сақтаңыз. Құралды пайдаланған кезде мүмкіндігінше қысым түсірмеуге тырысыңыз. Мұның орнына айналмалы аксессуарды жұмыс бетіне ақырындап төмендетіңіз де, бастағыңыз келетін жерге тиюіне мүмкіндік беріңіз. Жұмыс үстінде қолыңызбен жай ғана қысу арқылы құралды бағыттауға зейін қойыңыз. Аксессуарға жұмысты жасауына мүмкіндік беріңіз.

Бүкіл жұмысты бір рет өтіп жасағанға қарағанда құралмен бірнеше рет өткен дұрыс. Ақырын тигенде жақсы басқара аласыз және қате жасау мүмкіндігі азаяды.

ҚҰРАЛДЫ ҰСТАУ

Әрқашан құралды бетіңізден алшақ ұстаңыз. Аксессуарларды өңдеген кезде зақымдалуы және жылдамдыққа жеткендіктен ұшып кетуі мүмкін. Құралды ұстаған кезде, желдету саңылауларын қолыңызбен жаппаңыз. Желдету саңылауларын жапқан кезде мотор қатты қызып кетуі мүмкін. Жақын жұмыста жақсы басқару үшін көп функциялы құралды қарындаш сияқты бас және сұқ сауғағыңызбен ұстаңыз. ① “Гольф” ұстау әдісі тегістеу немесе кесу сияқты ауыр жұмыстар үшін пайдаланылады. ②

ҚОСУ/ӨШІРУ

Мотор корпусының жоғарғы жағында орналасқан қосқышты сырғыту арқылы құрал “ҚОСУЛЫ” күйіне сырғытылады. ҚҰРАЛДЫ “ҚОСУЛЫ” КҮЙІНЕ ОРНАТУ ҮШІН, қосқыш түймесін алға қарай сырғытыңыз. ҚҰРАЛДЫ “ӨШІРҮЛІ” КҮЙІНЕ ОРНАТУ ҮШІН, қосқыш түймесін артқа қарай сырғытыңыз.

ЭЛЕКТРОНДЫҚ КЕРІ ЖАУАП (4000/4300)

Құрал жоғары айналу моментінің басталуынан пайда болатын қысымдарды келіту арқылы “бірқалыпты іске қосу” мүмкіндігімен қамтамасыз ететін ішкі электронды кері байланыс жүйесімен жабдықталған. Сондай-ақ, жүйе алдын ала таңдалған жылдамдықты жүктемесіз және жүктеме бар жағдайлар арасында іс жүзінде тұрақты сақтауға көмектеседі.

ӨЗГЕРМЕЛІ ЖЫЛДАМДЫҚ СЫРҒЫТУ ҚОСҚЫШЫ (3000)

Құралыңыз өзгермелі жылдамдық сырғыту қосқышымен жабдықталған. Жұмыс кезінде параметрлердің кез келгеніне қосқышты артқа немесе алға сырғыту арқылы жылдамдықты реттеуге болады.

Әр жұмыс үшін дұрыс жылдамдықты таңдау үшін материалдың үлгі бөлігін пайдаланыңыз.

ӨЗГЕРМЕЛІ ЖЫЛДАМДЫҚ ЦИФЕРБЛАТЫ (4000/4300)

Құрал өзгермелі жылдамдық циферблатымен жабдықталған. Жұмыс кезінде циферблатты алдын ала қосу арқылы немесе параметрлердің кез келгені арасында жылдамдықты реттеуге болады.

Әр жұмыс үшін дұрыс жылдамдықты таңдау үшін материалдың үлгі бөлігін пайдаланыңыз.

ЖҰМЫС ЖЫЛДАМДЫҚТАРЫ ⑬

Өңделіп жатқан материал және пайдалану қажет аксессуардың дұрыс жылдамдығын анықтау үшін 15-16 беттердегі кестені қараңыз.

Сым қылшақтарды пайдаланған кезде, жылдамдықты 15 000 айн/мин шамасынан арттырмаңыз. Сым қылшақты реттеу (4300) = 5-10

Көптеген жұмыстарды ең жоғары параметрдегі құралды пайдалану арқылы орындауға болады. Дегенмен, белгілі бір материалдар (кейбір пластиктер және металдар) жоғары жылдамдық арқылы бөлінетін жылудан зақымдалуы мүмкін және салыстырмалы түрде төмен жылдамдықтарда жұмыс істеуі керек. Төмен жылдамдықта жұмыс істегенде (15 000 айн/мин немесе одан аз) киізбен жылтырату аксессуарларын пайдалану арқылы жылтырату жұмыстары үшін сәйкес келеді. Ұстағыштан сымның шығып кетуін болдырмау үшін барлық қылшақпен тазалау әрекеттері үшін төмен жылдамдықтар қажет. Төмен жылдамдық параметрлерін пайдаланған кезде құрал өнімділігіне жұмысты сіз үшін жасауына мүмкіндік беріңіз. Жоғары жылдамдықтар қатты ағаштар, металдар үшін және тесу, жону, кесу, бұрыс пішін салу және пішіндеу үшін жұмыс жасау кезінде тиімді.

Құрал жылдамдығына қатысты кейбір нұсқаулықтар:

- Төмен температураларда балқытқан пластик және басқа материалдарды төмен жылдамдықтарда кесу керек.
- Қылшақ және материалды зақымдамау үшін жылтырату, тегістеу және сым қылшақпен тазалау әрекеттерін 15 000 айн/мин шамасынан жоғары емес жылдамдықта орындау қажет.
- Ағашты жоғары жылдамдықта кесу керек.
- Темір немесе болатты жоғары жылдамдықта кесу керек.

- Жоғары жылдамдықта болат кескіш дірілдей бастаса, әдетте бұл құралдың тым баяу жұмыс істеп жатқанын білдіреді.
- Орындалатын кесу әрекетіне байланысты алюминий, мыс құйындысы, қорғасын құйындысы, мырыш құйындысы және калайыны әртүрлі жылдамдықта кесуге болады. Кесу материалының кескіш тістеріне жабысуын болдырмау үшін кескішке парафин (су емес) немесе басқа сәйкес майды пайдаланыңыз.

ЕСКЕРТПЕ: Құрал дұрыс жұмыс істемей жатқанда қысымды көтеруге болмайды. Қажетті нәтижеге қол жеткізу үшін басқа аксессуар немесе жылдамдық параметрін пайдаланып көріңіз.

ТЕХНИКАЛЫҚ ҚЫЗМЕТ КӨРСЕТУ ЖӘНЕ ТАЗАЛАУ

▲ ІШІНДЕ ПАЙДАЛАНЫШЫ ҚЫЗМЕТ КӨРСЕТЕ АЛАТЫН БӨЛШЕКТЕР ЖОҚ (тек көмір қылшақтарын тексеруге және ауыстыруға болады (3000/4300)). ӨКІЛЕТТІ ЕМЕС ҚЫЗМЕТКЕР ПРОФИЛАКТИКАЛЫҚ ТЕХНИКАЛЫҚ ҚЫЗМЕТ КӨРСЕТКЕНДЕ АУЫР ЗАҚЫМҒА ӘКЕЛУІ МҮМКІН ІШКІ СЫМ МЕН ҚҰРАМДАСТАРДЫҒЫ ДҰРЫС ЕМЕС ҚОСЫЛЫМЫНА ӘКЕЛУІ МҮМКІН.

КӨМІР ҚЫЛШАҚТАРЫН ТЕКСЕРУ/АУЫСТЫРУ (3000/4300) ⁽¹⁴⁾

Қылшақтарды тозу белгілеріне қолданыстың әр 40-50 сағаты сайын тексеріңіз.

Сондай-ақ, құрал дұрыс емес жұмыс істегенде, қуат өшкенде немесе оғаш дыбыстар шыққанда қылшақтарды тексеріңіз.

Қылшақтары тозған құралды пайдалану салдарынан мотор біржола зақымдалады.

Тек түпнұсқалы Dremel қосалқы қылшақтарын пайдаланыңыз.

1. Құралды қуат көзінен ажыратып, таза жерге қойыңыз.
2. Екі қылшақ қақпағын құралдың сомынды бұрайтын кілтін бұраушы ретінде пайдаланып алыңыз.
3. Бекітілген серіппелерді тарту арқылы құралдан екі қылшақты алыңыз.
4. Екі қылшақты да тексеріңіз. Қылшақ ұзындығы 3 мм-ден аз болса және/немесе қылшақтың беткі жағы қатты болса немесе желініп қалса, көмір қылшағын жаңасымен ауыстырыңыз:
 - қылшақтан серіппені алып тастаңыз
 - ескі қылшақты қоқысқа тастап, серіппені жаңа қылшаққа орнатыңыз
5. Көмір қылшақтарын (серіппемен бірге) қайта құралға салыңыз (қылшақ құралға қайта орнатылатын тек бір ғана жол бар).
6. Қақпақтарды сағат тілі бағытымен бұру арқылы қылшақ қақпақтарын ауыстырыңыз (бекіту үшін бұрау кілтін пайдаланыңыз; **қатты бекітуге болмайды**).

ЕСКЕРТПЕ: Бір қылшақ тозған болса, құрал жақсы жұмыс істеуі үшін екі қылшақты да ауыстыру қажет.

Құрал сығылған құрғақ ауамен өте жақсы тазарады. **Құралдарды сығылған ауамен тазалаған кезде өрқашан да қауіпсіздік көздіріктерін тағыңыз.**

▲ ОҚЫС ОҚИҒАЛАРДЫ БОЛДЫРМАУ ҮШІН, ТАЗАЛАУ АЛДЫНДА ҚҰРАЛДЫ ЖӘНЕ/НЕМЕСЕ ЗАРЯДТАУШЫ ҚҰРАЛДЫ ӨРҚАШАНДА ҚУАТ КӨЗІНЕН АЖЫРАТЫҢЫЗ

Желдету саңылаулары және қосқыш иінтіректері бөгде заттардан таза және бос болу қажет. Үшкір заттарды саңылауға кіргізу арқылы құралды тазаламаңыз.

▲ **КЕЙБІР ТАЗАЛАҒЫШ ЗАТТАР ЖӘНЕ ЕРІТІНДІЛЕР ПЛАСТИК БӨЛШЕКТЕРДІ ЗАҚЫМДАЙДЫ.**

Солардың кейбіреуі: бензин, көміртек тетрахлориді, хлорланған тазалағыш ерітінділер, аммиак және аммиағы бар тұрмыстық жуғыш заттар.

ҚЫЗМЕТ КӨРСЕТУ ЖӘНЕ КЕПІЛДІК

Құралға қызмет көрсету жұмыстарының барлығы Dremel қызмет көрсету орталығы арқылы орындалуына кеңес береміз.

Осы Dremel өніміне белгіленген/нақты мемлекет ережелеріне сәйкес кепілдік беріледі; тозу салдарынан орын алған зақым, шамадан тыс жүктеме немесе дұрыс емес өңдеу кепілдікке кірмейді.

Шағым түскен жағдайда, бөлшектелмеген құрал және/немесе зарядтаушы құралын және сатып алуға қатысты дәлелдерді дилерге жіберіңіз.

DREMEL КОМПАНИЯСЫМЕН БАЙЛАНЫСУ

Қызмет көрсету және кепілдік, Dremel өнімдері, қолдау көрсету және шұғыл байланыс желісі туралы қосымша ақпарат алу үшін www.dremel.com сайтына өтіңіз.

ШУ МЕН ДІРІЛ

3000

Дыбыс күшінің деңгейі (стандартты ауытқу 3 дБ) дБ(А)	77,1
Дыбыс қысымының деңгейі (стандартты ауытқу 3 дБ) dB(A)	88,1
Діріл (үш осьтік вектордың жалпы көрсеткіші) м/с ²	12,8
Діріл тұрақсыздығы К м/с ²	1,5

4000

Дыбыс күшінің деңгейі (стандартты ауытқу 3 дБ) дБ(А)	78,0
Дыбыс қысымының деңгейі (стандартты ауытқу 3 дБ) dB(A)	89,0
Діріл (үш осьтік вектордың жалпы көрсеткіші) м/с ²	11,4
Діріл тұрақсыздығы К м/с ²	1,5

4300

Дыбыс күшінің деңгейі (стандартты ауытқу 3 дБ) дБ(А)	74,4
Дыбыс қысымының деңгейі (стандартты ауытқу 3 дБ) dB(A)	85,4
Діріл (үш осьтік вектордың жалпы көрсеткіші) м/с ²	9,0
Діріл тұрақсыздығы К м/с ²	1,5

ЕСКЕРТПЕ: Мәлімденген дірілдің жалпы мәні стандартты сынақ әдісі бойынша өлшенді және оны құралдарды бір-бірімен салыстыру үшін пайдалануға болады. Оны, сондай-ақ, экспозицияны алдын ала бағалау үшін де пайдалануға болады.

Электр құралының нақты қолданыс кезіндегі діріл шығысы құралды қалай пайдаланып жатқаныңызға байланысты мәлімделген жалпы мәннен өзгеше болуы мүмкін.

Экспозицияны нақты қолдану жағдайында бағаланыс және (құралдың өшірілген уақыты мен оның іске қосылған уақытына қосылатын бос жұмыс істеу уақыты сияқты кезеңдердің барлық бөлігін ескеріп) жеке қауіпсіздік шараларын тиісті түрде белгілеңіз.

Құрал, аксессуарлар және қаптаманы қоршаған ортаға зиян келтірмей қайта өңдеу үшін оларды сұрыптау керек.

ТЕК ҚАНА ЕО ЕЛДЕРІ ҮШІН ⑥

Электрлік және электрондық жабдықтар қалдығы үшін 2012/19/ЕС Еуропа нұсқаулығы мен оның ұлттық құқықтарына жүзеге асуына сәйкес ендігері пайдаланылмайтын электр құралдарын бөлек жинап, қоршаған ортаға зиянсыз жолмен қоқысқа тастау қажет.

Өнімді пайдалану нұсқаулығына қосымша (тек Еуразия экономикалық қауымдастығы шеңберінде Кеден одағына мүше мемлекеттер аумағында ғана қолданылады)

- „Қауіпсіздік нұсқаулары“ бөлімінің өнімді пайдалану нұсқаулығында берілген қауіпсіздік техникасы бойынша нұсқаулармен мұқият танысыңыз
- Төмендегі қосымша ақпаратты мұқият оқыңыз

Өнімді пайдалану мерзімі

Өнімнің қызмет ету мерзімі 7 жыл. Өндірілген мерзімнен бастап (өндіру күні зауыт тақтайшасында жазылған) істетпей 5 жыл сақтағаннан соң, өнімді тексеруіс (сервистік тексеру) пайдалану ұсынылмайды.

Қызметкер немесе пайдаланушының қателіктері мен істен шығу себептерінің тізімі

- тұтқасы мен корпусы бұзылған болса, өнімді пайдаланбаңыз
- өнім корпусынан тікелей түтін шықса, пайдаланбаңыз
- тоқ сымы бұзылған немесе оқшаулаусыз болса, пайдаланбаңыз
- жауын-шашын кезінде сыртта (далада) пайдаланбаңыз
- корпус ішіне су кірсе құрылғыны қосуды болмаңыз
- көп үшқын шықса, пайдаланбаңыз
- қатты діріл кезінде пайдаланбаңыз

Шекті күй белгілері

- тоқ сымының тозуы немесе зақымдануы

Қызмет көрсету түрі мен жиілігі

Әр пайдаланудан соң өнімді тазалау ұсынылады.

Сақтау

- құрғақ жерде сақтау керек
- жоғары температура көзінен және күн сәулелерінің әсерінен алыс сақтау керек
- сақтау кезінде температураның кенет ауытқуынан қорғау керек
- орамасыз сақтау мүмкін емес
- сақтау шарттары туралы қосымша ақпарат алу үшін МЕМСТ 15150 (Шарт 1) құжатын қараңыз

Тасымалдау

- тасымалдау кезінде өнімді құлатуға және кез келген механикалық ықпал етуге қатаң тыйым салынады
- босату/жүктеу кезінде пакетті қысатын машиналарды пайдалануға рұқсат берілмейді
- тасымалдау шарттары талаптарын МЕМСТ 15150 (Шарт 5) құжатын оқыңыз

НАЗАР АУДАРЫҢЫЗ!

Энергиямен жабдықтаудың толықтай не жекелей тоқтатылуы немесе энергиямен жабдықтауды басқару тізбегінің ақаулануы салдарынан электр құралының жұмысында кідіріс пайда болған жағдайда, бұғатталмағандығына көз жеткізіп (болған жағдайда) барып, ажыратқышты Выкл. (Өшіру) қалпына келтіріңіз. Желілік ашаны розеткадан шығарыңыз немесе алып - салмалы аккумуляторды ажыратыңыз. Осы әрекет арқылы бақыланбайтын қайта іске қосылудың алдын аласыз.

ВИКОРИСТАНІ СИМВОЛИ

- ① ОЗНАЙОМТЕСЯ З ЦИМИ ІНСТРУКЦІЯМИ
- ② ЗАСТОСОВУЙТЕ ЗАСОБИ ЗАХИСТУ СЛУХУ
- ③ НАДЯГАЙТЕ ОКУЛЯРИ
- ④ НАДЯГАЙТЕ ЗАХИСНУ МАСКУ
- ⑤ КОНСТРУКЦІЯ ІІ КЛАСУ
- ⑥ НЕ ВИКИДАЙТЕ ЕЛЕКТРОІНСТРУМЕНТИ РАЗОМ З ВІДХОДАМИ ДОМОГОСПОДАРСТВА

ЗАГАЛЬНІ ЗАСТЕРЕЖЕННЯ ЩОДО БЕЗПЕКИ ПРИ ВИКОРИСТАННІ ЕЛЕКТРОІНСТРУМЕНТІВ

▲ УВАГА ПРОЧИТАЙТЕ ВСІ ЗАСТЕРЕЖЕННЯ ЩОДО БЕЗПЕКИ ТА ВСІ ІНСТРУКЦІЇ

Недотримання цих застережень та інструкцій може призвести до ураження електричним струмом, виникненню пожежі та/або отриманню важкої травми. Збережіть всі застереження та інструкції для використання в майбутньому. Термін «електроінструмент» в застереженнях позначає електроінструмент із живленням від мережі (через шнур) чи з живленням від комплекту батарей (без шнура).

БЕЗПЕКА РОБОЧОГО МІСЦЯ

- a. Підтримуйте робоче місце чистим і добре освітленим. Безлад та погане освітлення на робочому місці часто стають причинами виникнення аварій.
- b. Не працюйте з електроінструментами у вибухонебезпечній атмосфері, наприклад у присутності займистих рідин, газів або пилу. Електроінструмент утворює іскри, що можуть запалити пил або дими.
- c. Не підпускайте дітей та сторонніх під час роботи з електроінструментом. Через неувважність ви можете втратити контроль.

ЕЛЕКТРИЧНА БЕЗПЕКА

- a. Штепсельна вилка електроінструмента має підходити до розетки. Будь-які модифікації вилки не дозволяються. Не застосовуйте перехідники з електроінструментом із заземленням. Вилки, що не були модифіковані, та відповідні розетки зменшують ризик удару електричним струмом.
- b. Уникайте контакту тіла із заземленими поверхнями, такими як труби, радіатори, агрегати та холодильники. Якщо ваше тіло буде заземленим, ризик удару електричним струмом підвищується.
- c. Не залишайте електроінструмент під дощем або у вологому середовищі. Вода, що потрапляє до електроінструмента, підвищує ризик ураження електричним струмом.
- d. Уникайте пошкодження шнура. Забороняється застосовувати шнур для перенесення, пересування або вимикання електроінструмента. Тримайте шнур подалі від тепла, мастил, гострих країв або рухомих частин. Пошкоджений або заплутаний шнур підвищує ризик удару електричним струмом.

- e. Під час використання електроінструмента за межами приміщення використовуйте подовжувач, що підходить для робіт поза приміщенням. Використання подовжувача, що підходить для застосування на відкритому повітрі, зменшує ризик удару електричним струмом.
- f. Якщо неможливо уникнути використання електроінструмента у вологих умовах, застосовуйте його лише за умови забезпечення надійного захисту лінії живлення пристроєм захисного відключення. Використання пристрою захисного відключення зменшує ризик ураження електричним струмом.

ОСОБИСТІЙ ЗАХИСТ

- a. Будьте напоготові, уважно спостерігайте за всім, що робите, та використовуйте здоровий глузд під час роботи з електроінструментом. Не застосовуйте електроінструмент, якщо ви втомилися або перебуваєте під дією наркотичних речовин, алкоголю або ліків. Неувважність під час експлуатації електроінструмента може призвести до отримання важких травм.
- b. Використовуйте засоби індивідуального захисту. Завжди одягайте захисні окуляри. Засоби індивідуального захисту, такі як маска від пилу, нековзне безпечне взуття, шолом-каска або засоби захисту слуху, що застосовуються за відповідних умов, зменшують ризик травмування.
- c. Не допускайте випадкового включення обладнання. Перш ніж під'єднувати обладнання до джерела струму та/або комплекту батарей, піднімати або переносити його, переконайтеся, що вимикач перебуває в положенні «вимкнено». Перенесення електроінструмента з утримуванням пальця на вимикачі або електроінструмента під напругою з увімкнутим вимикачем провокує нещасні випадки.
- d. Зніміть будь-які розсувні або гайкові ключі, перш ніж вимкати інструмент. Ключ, що залишився на рухливій деталі електроінструмента, може призвести до травм.
- e. Не прикладайте надмірних зусиль. Завжди зберігайте рівновагу та надійне положення. Це дозволяє краще керувати електроінструментом у непередбачених ситуаціях.
- f. Одягайтесь належним чином. Не носіть вільний одяг або прикраси. Тримайте волосся, одяг та рукавиці подалі від рухомих частин. Вільний одяг, прикраси або довге волосся можуть потрапити у рухомі деталі.
- g. За наявності пристроїв, які використовуються з метою підключення обладнання для видалення пилу, переконайтеся, що вони під'єднані до мережі та експлуатуються належним чином. Використання приладів для збирання пилу може допомогти уникнути ризиків, пов'язаних з його накопиченням.

ЕКСПЛУАТАЦІЯ ТА ДОГЛЯД ЗА ЕЛЕКТРОІНСТРУМЕНТОМ

- a. Не застосовуйте силу до електроінструмента. Використовуйте електроінструмент, який відповідає вашим потребам. Правильний електроінструмент виконає роботу краще та безпечніше, згідно своєму призначенню.
- b. Не використовуйте електроінструмент, якщо вимикач не може його включити чи вимкнути. Будь-який електроінструмент, що не управляється вимикачем, є небезпечним та підлягає ремонту.

- c. Перед виконання будь-яких налаштувань, заміною допоміжного приладдя чи зберіганням електроінструмента від'єднайте штепсельну вилку від джерела живлення і/або комплект батарей від електроінструмента. Такі запобіжні заходи зменшують ризик випадкового запуску електроінструмента.
- d. Зберігайте невикористовуваний електроінструмент в недоступних для дітей місцях та не дозволяйте особам, незнайомим з електроінструментом або цими інструкціями, використовувати електроінструмент. Електроінструмент є небезпечним у руках недосвідчених користувачів.
- e. Обслуговуйте електроінструмент належним чином. Перевіряйте наявність зміщених та зчеплених рухомих частин, зламаних деталей та інших неполадок, що можуть завадити належній експлуатації електроінструмента. У разі пошкодження електроінструмент необхідно відремонтувати перед використанням. Багато нещасних випадків були наслідками неналежного технічного обслуговування електроінструмента.
- f. Дбайте про те, щоб ріжучі інструменти були гострі й чисті. Належне обслуговування ріжучих інструментів і гостріння ріжучих кромок дозволяє уникнути їх застрягання та полегшує процес управління.
- g. Використовуйте електроінструмент, допоміжні елементи, наконечники тощо відповідно до цих інструкцій та з урахуванням умов експлуатації, а також типу роботи, яку слід виконати. Будь-яке застосування електроінструмента не за призначенням може спричинити небезпечну ситуацію.

ТЕХНІЧНЕ ОБСЛУГОВУВАННЯ

- a. Доручайте технічне обслуговування свого електроінструменту кваліфікованому спеціалісту з ремонту. Це гарантує безпеку електроінструмента.

- використовується на швидкості, вищій за допустиму, може зламатися та відлетіти.
- d. Зовнішній діаметр і товщина допоміжного приладдя мають відповідати параметрам електроінструмента. Допоміжне приладдя неправильного розміру не піддається належному контролю.
- e. Розмір оправки колеса, шліфувальних барабанів або іншого приладдя має відповідати розміру шпинделя або цагни електроінструмента. Приладдя, що не точно пасує до елементів кріплення електроінструмента, обертається нерівномірно, сильно вібрає і може призвести до втрати контролю над ним.
- f. Оправку колісних пар, шліфувальні барабани, фрези та інше приладдя необхідно повністю вставляти в цагну або затискач. Якщо оправка нездовільно тримається і/або колесо звисає занадто сильно, воно може відрізнитися та відлетіти на великій швидкості.
- g. Не використовуйте пошкоджене допоміжне приладдя. Перед кожним використанням перевіряйте допоміжне приладдя (зокрема, шліфувальні круги на наявність відламків та тріщин, тарілчасті шліфувальні круги на наявність тріщин, розривів або сильного зношування, дротяні щітки на наявність розхитаних або зламаних дротів). Якщо ви впустили електроінструмент або допоміжне приладдя, перевірте їх на пошкодження або встановіть непошкоджене приладдя. Після перевірки й монтажу приладдя вам і людям поблизу слід стати за межами площини обертання обертового приладдя. Далі ввімкніть електроінструмент на одну хвилину на максимальній швидкості без навантаження. Пошкоджене допоміжне приладдя завжди ламається під час такої перевірки.
- h. Застосовуйте засоби індивідуального захисту. Відповідно до виду робіт використовуйте захисну маску, захист для очей або захисні окуляри. За необхідності вдягайте респіратор, навушники, захисні рукавиці та спеціальний фартух, щоб захиститися від абразивних часток і фрагментів оброблюваного матеріалу. Захисні окуляри мають бути придатні для захисту від сміття, що летить з-під інструмента при різних видах робіт. Маска від пилу або респіратор мають фільтрувати частки, що утворюються під час роботи. Тривала робота при гучному шумі може призвести до втрати слуху.
- i. Слідкуйте за тим, щоб інші особи дотримувалися безпечної відстані від вашої робочої зони. Кожен, хто заходить у робочу зону, повинен мати засоби індивідуального захисту. Уламки оброблюваного матеріалу або зламаною допоміжною приладдя можуть відлетіти та завдати травм навіть за межами безпосередньої робочої зони.
- j. Під час виконання операцій, упродовж яких ріжуче приладдя може торкатися схованого проводу або власного шнура живлення, тримайте електроінструмент лише за спеціальні ізольовані поверхні. Контакт ріжучого приладдя з проводом під напругою може призвести до передачі напруги на незахищені частини електроінструмента та завдати оператору електричного удару.
- k. Завжди міцно тримайте інструмент під час запуску. Реактивний обертальний момент двигуна під час прискорення до повної швидкості може викликати крутіння інструмента.
- l. Використовуйте затискачі для утримання

ПРАВИЛА ТЕХНІКИ БЕЗПЕКИ ПІД ЧАС ВИКОНАННЯ ВСІХ ВИДІВ РОБІТ

ТЕХНІКА БЕЗПЕКИ ПІД ЧАС РОБОТИ З ІНСТРУМЕНТОМ ІНСТРУКЦІ З БЕЗПЕКИ ЗАГАЛЬНІ ДЛЯ ОПЕРАЦІЙ ШЛІФУВАННЯ, ПОЛІРУВАННЯ ПІСКОМ, ОЧИЩЕННЯ ДРОТЯНИМИ ЩІТКАМИ, ПОЛІРУВАННЯ, РІЗЬБЛЕННЯ АБО АБРАЗИВНОГО РІЗАННЯ

- a. Це обладнання діє як машина для шліфування, полірування піском, очищення дротяними щітками, полірування, ризьблення або відрізання. Ознайомтеся з усіма застереженнями, інструкціями, ілюстраціями та технічними характеристиками, які супроводжують цей електроінструмент. Недотримання будь-якої з наведених нижче вказівок може призвести до ураження електричним струмом, пожежі та/або отримання важкої травми.
- b. Використовуйте тільки допоміжне приладдя, спеціально розроблене або рекомендоване виробником інструмента. Сама лише можливість закріплення приладдя на електроінструменті не гарантує безпечною використання.
- c. Допустима для шліфувального приладдя кількість обертів має бути не менша за максимальну кількість обертів, зазначену на електроінструменті. Приладдя, що

заготовки, коли це зручно. Ніколи не тримайте невелику заготовку в одній руці, а ввімкнутий інструмент – в іншій. Закріплюючи невелику заготовку в затискачі, ви зможете краще керувати інструментом однією чи обома руками. Круглі матеріали, такі як стрижні, труби або трубки, мають схильність до перекочування під час різання, що може призвести до застрягання або зіскакування свердла у вашому напрямку.

- m. Уникайте контакту шнура з обертовими деталями. Якщо втратити контроль над інструментом, обертова деталь може перерізати або пошкодити шнур живлення, чи травмувати вашу кисть або руку.
- n. Перш ніж покласти електроінструмент, зачекайте, поки допоміжне приладдя повністю зупиниться. Обертаючись, приладдя може встроїтися в поверхню, на яку ви його кладете, що може призвести до втрати контролю над електроінструментом.
- o. Після заміни свердла або здійснення будь-яких інших регулювань переконайтеся, що гайка цанги, затискач або будь-які інші пристрої регулювання надійно затягнуті. Незакріплені пристрої регулювання можуть несподівано зсунутися, що призведе до втрати контролю, а незакріплені елементи, що обертаються, можуть різко відлетіти.
- p. Не залишайте електроінструмент увімкнутим під час перенесення. У випадку контакту приладдя, що обертається, може затягати ваш одяг і встроїтися в тіло.
- q. Регулярно прочищайте вентиляційні щілини електроінструмента. Вентилятор електродвигуна затягує пил у корпус, а сильне накопичення металевого пилу може призвести до електричної небезпеки.
- r. Не використовуйте електроінструмент поблизу від горючих матеріалів. Такі матеріали можуть займатися від іскор.
- s. Не використовуйте допоміжне приладдя, що вимагає застосування охолоджувальної рідини. Використання води або іншої охолоджувальної рідини може призвести до удару електричним струмом.

СПІННЯ ТА ВІДПОВІДНІ ЗАСТЕРЕЖЕННЯ

Віддача – це раптова реакція інструмента на зачеплення або затискання обертового приладдя, як-от шліфувального круга, тарічастого шліфувального круга, дротяної щітки тощо. Зачеплення або затискання призводить до раптової зупинки приладдя, що обертається, яке, в свою чергу, викликає неконтрольовану віддачу інструмента в бік, протилежний напрямку обертання приладдя. Якщо, наприклад, шліфувальний круг зачепиться або застрягне в оброблюваному матеріалі, кромка шліфувального круга, якою той зайшов у оброблюваний матеріал, може застрягти і, таким чином, шліфувальний круг може вискочити з оброблюваної поверхні або спінутися. У результаті шліфувальний круг починає рухатися в напрямку оператора або в протилежному напрямку, залежно від напрямку обертання круга в місці застрягання. При цьому шліфувальний круг може переламатися.

Спіння – це результат неправильної експлуатації або помилок при роботі з електроінструментом. Йому можна запобігти за допомогою належних запобіжних заходів, що описані нижче.

- a. Міцно тримайте електроінструмент, тримайте своє тіло на руки у положенні, в якому ви зможете протистояти спінню. Оператор може

контролювати силу віддачі, якщо ужити належних запобіжних заходів.

- b. Працюйте з особливою обережністю в кутах, на гострих краях тощо. Запобігайте відскакуванню допоміжного приладдя від оброблюваного матеріалу та його заклинюванню. В кутах, на гострих краях або при відскакуванні приладдя може заклинюватися. Це призводить до втрати контролю або спінню.
- c. Не прієднуйте зубчаті пилки. Таке приладдя часто спричиняє спінання або втрату контролю над електроінструментом.
- d. Свердло завжди вводять у матеріал у тому ж напрямку, у якому з нього виходить ріжуча кромка (у тому ж напрямку виходяться уламки). Введення інструмента в неправильному напрямку може стати причиною вискакування ріжучої кромки свердла із заготовки та потягання електроінструменту у напрямку введення.
- e. При використанні напилків, що обертаються, відрізних коліс, високошвидкісних фрез або ножів із карбїду вольфраму завжди надійно затискайте оброблювану деталь. Ці колеса можуть зачепитися у канавці, якщо вони трохи нахиляться, також це може викликати віддачу. Якщо зачепилося відрізне колесо, зазвичай ламається саме колесо. Якщо зачепився напилък, що обертається, високошвидкісна фреза або ніж з карбїду вольфраму, він може зіскочити з канавки, а ви можете втратити контроль над інструментом.

ЗАСТЕРЕЖЕННЯ ЩОДО ДОТРИМАННЯ ПРАВИЛ БЕЗПЕКИ ПРИ ВИКОНАННІ ОПЕРАЦІЙ ШЛІФУВАННЯ І АБРАЗИВНОГО ВІДРІЗАННЯ

- a. Використовуйте лише ті типи кругів, що рекомендовані для вашого електроінструмента та лише для рекомендованих видів робіт. Наприклад: ніколи не шліфуйте боковою поверхнею відрізного круга. Відрізни круги призначені для знімання матеріалу кромкою круга. Більше навантаження може златати шліфувальний круг.
- b. Різьбові абразивні конуси та вилки використовуйте тільки з неушкодженою оправкою з незмінним фланцем, які мають правильний розмір та довжину. Правильно підібрана оправка зменшить можливість поломки.
- c. Уникайте застрягання відрізного круга або занадто сильного натискання. Не робіть занадто глибоких надрізів. Занадто сильне натискання на відрізни круг збільшує навантаження на нього та його схильність до перекосу або застрягання і таким чином збільшує можливість спінання або ламання шліфувального круга.
- d. Уникайте зони попереду та позаду відрізного круга, що обертається. Якщо ви пересуваєте відрізни круг в оброблюваному матеріалі в напрямку від себе, при спінні електроінструмент із кругом, що обертається, може відскочити прямо на вас.
- e. Якщо відрізни круг заклинить або ви зупините роботу, вимкніть електроінструмент і тримайте його спокійно, поки круг не зупиниться. Ніколи не намагайтеся виїняти з прорізу відрізни круг, що це обертається, інакше електроінструмент може спінутися. Проаналізуйте та вживайте заходів, щоб виправити становище та усунути причину защемлення колеса.
- f. Не вмикайте електроінструмент, вставивши його в оброблюваний матеріал. Дайте відрізному кругу спочатку досягти повного числа обертів, перш ніж обережно ввести його в проріз. В

іншому випадку круг може застрягнути, вискочити з оброблюваного матеріалу або сіпнутися.

- g. Підпирайте плити або великі оброблювані поверхні, щоб зменшити ризик сіпання через заклинення відрізного круга. Великі оброблювані поверхні можуть прогинатися під власною вагою. Оброблюваний матеріал необхідно підпирати як знизу, поблизу лінії прорізу, так і по краях заготовки з обох боків від відрізного круга.
- h. Будьте особливо обережні, виконуючи прорізи в стінах або інших місцях без прямого огляду. Під час заглиблення відрізний круг може порізати газопровід або водопровід, електропроводку або інші об'єкти та спричинити появу вщадки.

ЗАСТЕРЕЖЕННЯ З БЕЗПЕКИ ДЛЯ ОПЕРАЦІЇ ПОЛІРУВАННЯ ДРОТОВОЮ ШІТКОЮ

- a. Пам'ятайте, що шітка залишає після себе дротові голки навіть під час звичайної операції. Не перевантажуйте дроти, застосовуючи надмірне навантаження на шітку. Дротові голки можуть легко проникати через легкий одяг та / або шкіру.
- b. Дозвольте шіткам працювати з робочою швидкістю протягом не менше однієї хвилини перед використанням. У цей час ніхто не повинен стояти попереду або на одній лінії зі шіткою. Несильні дротові голки або дріт випадають під час виконання робіт.
- c. Направте випадіння дротів зі шітки, що обертається, у протилежному від вас напрямку. Дрібні частинки та крихітні фрагменти дроту можуть відлітати з великою швидкістю при використанні цих шіток, в наслідок чого вони можуть врізатися в вашу шкіру.
- d. Не більше 15 000 об/хв, якщо застосовуються дротові шітки.

▲ НЕ ПРАЦЮЙТЕ З МАТЕРІАЛАМИ, ЩО МІСТЯТЬ АЗБЕСТ (азбест вважається канцерогенним матеріалом)

▲ ЯКЩО ПІД ЧАС РОБОТИ ІСНУЄ МОЖЛИВІСТЬ УТВОРЕННЯ В АТМОСФЕРІ ШКІДЛИВОГО ДЛЯ ЗДОРОВ'Я ПИЛУ, ЛЕГКОЗАЙМИСТИХ АБО ВИБУХОВИХ РЕЧОВИН, ВЖИВАЙТЕ ВІДПОВІДНІ ЗАХОДИ БЕЗПЕКИ (деякі види пилу вважаються канцерогенними); використовуйте респиратор, а також пристрої для видалення пилу/стружки, якщо передбачена можливість їхнього підключення.

ТЕХНІЧНІ ХАРАКТЕРИСТИКИ

Номер моделі 3000
Потужність на вході 130 Вт
Напруга 230 В, 50 Гц
Швидкість 33 000 об./хв.
Максимальний діаметр
цангового затискача 3,2 мм
Максимальний діаметр
насадки 38,1 мм
Вага 0,5 кг

Номер моделі 4000
Потужність на вході 175 Вт
Напруга 230-240 В, 50-60 Гц
Швидкість 35 000 об./хв.
Максимальний діаметр
цангового затискача 3,2 мм
Максимальний діаметр
насадки 38,1 мм
Вага 0,6 кг

Номер моделі 4300
Потужність на вході 175 Вт
Напруга 220-240 В, 50-60 Гц
Швидкість 35 000 об./хв.
Діаметр затискного патрону 0,8–3,4 мм
Максимальний діаметр
насадки 38,1 мм
Вага 0,6 кг

Використовуйте не скручені та безпечні шнури потужністю 5 А. Завжди перевіряйте, щоб напруга мережі електроживлення відповідала значенню, вказаному на заводській табличці інструменту.

ЗАГАЛЬНА ІНФОРМАЦІЯ ⑦

- A. Гайка цанги
B. Цанга
C. Насадка (інтегрований гайковий ключ EZ Twist®)
D. Кнопка блокування валу
E. Перемикач увімк./вимк. та повзунковий перемикач швидкості (3000)
E. Перемикач увімк./вимк. (4000/4300)
F. Ремінь
G. Кришка шітки
H. Вентиляційні отвори
I. Регулятор змінної швидкості (4000/4300)
J. Гайковий ключ цанги
K. Модуль підсвічування (4300)
L. Затискач Dremel (4300)

*) не входить в стандартну комплектацію

МОДУЛЬ ПІДСВІЧУВАННЯ I та II (4300) ⑧

- M. Перемикач увімк./вимк.
N. Повзунок (I)
O. Гвинт
P. Батарейний відсік
Q. Батареї (2 шт. CR1025)
R. Насадка нового типу
S. Насадка старого типу

В цьому електроінструменті передбачене підсвічування, що призначене для освітлення робочої зони, а не для освітлення приміщення.

Даний виріб містить літєві батарейки ґудзикового/таблеткового типу. Ковтання чи потраплення нової або використаної літєвої батарейки ґудзикового/таблеткового типу до організму може призвести до серйозних опіків внутрішніх органів та навіть до смерті всього за 2 години. Завжди щільно закривайте батарейний відсік. Якщо батарейний відсік не вдається закрити належним чином, припиніть використання виробу, вийміть батарейки та тримайте їх подалі від дітей. Якщо вам здалось, що батарейку проковтнули, чи вона потрапила всередину будь-якої частини тіла, негайно зверніться по допомогу до лікаря.

ПОЧАТКОВЕ НАЛАГОДЖУВАННЯ

Щоб вперше використати підсвічування, необхідно видалити вкладку з батарейного відсіку. Витягніть вкладку та посуньте кнопку перемикача нагорі, щоб переконатися в тому, що підсвічування працює. Якщо підсвічування не вмикається, за допомогою маленької викрутки перевірте, що всі батарейки розташовані на своїх місцях, та що всі вкладки були видалені.

ЗАМІНА БАТАРЕЙОК

Щоб замінити батарейки модуля підсвічування, спочатку відкрутіть насадку та зніміть модуль. Потім за допомогою маленької викрутки, послабте гвинт на батарейному відсіку. **Не витягайте гвинт повністю!** Зніміть кришку батарейного відсіку з нижнього боку модуля.

Вийміть старі батарейки та замініть на нові, повторюючи їхню орієнтацію. Після цього поверніть на місце кришку батарейного відсіку та закрутіть гвинт. **Під час заміни батарейок перемикач та повзунок мають бути в однаковому положенні «Увімк.» (I) або «Вимк.» (O). Це дозволить забезпечити відповідність перемикача та «штекера» повзунка. (I)**

МОНТАЖ І ВИКОРИСТАННЯ

Щоб встановити модуль підсвічування на інструменті, спочатку відкрутіть насадку на кінці інструменту. Встановіть модуль підсвічування на кінці інструменту в такий спосіб, що світло було спрямоване вперед. Знову закріпіть насадку на кінці інструменту, щоби вона тримала кілька модулів підсвічування на місці. **Модуль підсвічування можна використовувати тільки з насадкою нового типу, яка поставляється в комплекті з інструментом.**

Щоб увімкнути або вимкнути підсвічування,
– встановіть повзунок у положення «Увімк.» або «Вимк.» (I)

– натисніть перемикач увімк./вимк. (II)

Щоб змінити положення модуля підсвічування, достатньо ослабити насадку, повернути модуль, як вам потрібно, і знову затягнути насадку.

ПРИЛАДДЯ

ПЕРЕД ЗАМІНОЮ ПРИЛАДДЯ ЗАВЖДИ ВИТЯГАЙТЕ ШТЕПСЕЛЬНУ ВИЛКУ ІНСТРУМЕНТА З РОЗЕТКИ

Використовуйте лише потужне приладдя, що пройшло випробування Dremel. Обов'язково ознайомтеся з інструкцією, що супроводжує приладдя Dremel, для отримання додаткової інформації з його використання. **Обережно поводьтеся із приладдям під час використання та зберігання, щоб запобігти появі пошкоджень і тріщин.**

ЗАМІНА ПРИЛАДДЯ ⑨

- A. Гайка цанги
- B. Цанга (3,2 мм)
- C. Насадка (інтегрований гайковий ключ EZ Twist*)
- D. Затискач Dremel 4486*
- E. Кнопка блокування валу
- F. Гайковий ключ

***) не входить в стандартну комплектацію**

1. Натисніть кнопку блокування валу та обертайте вал рукою, доки він не зчепиться з фіксатором валу. **Не натискайте на фіксатор валу під час роботи інструмента.**
2. Утримуючи натиснутою кнопку блокування валу, послабте (але не знімайте) гайку цанги. Використовуйте цанговий ключ за потреби.
3. Вставте свердло або хвостовик приладдя у цангу.
4. Утримуючи натиснутою кнопку блокування валу, затягніть гайку цанги.

ІНТЕГРОВАНІЙ ГАЙКОВИЙ КЛЮЧ EZ TWIST ⑩

Ця насадка має інтегрований гайковий ключ, за допомогою якого ви можете послабити або затягнути гайку цанги, не використовуючи для цього звичайний гайковий ключ.

1. Відвинтіть насадку з інструменту, відцентруйте металеву вставку всередині головки насадки відносно гайки цанги.
2. Заблокувавши вал, поверніть насадку проти годинникової стрілки, щоб послабити гайку цанги. **Не натискайте на фіксатор валу під час роботи інструмента.**
3. Вставте свердло або хвостовик приладдя у цангу.
4. Заблокувавши вал, поверніть насадку за годинниковою стрілкою, щоб затягнути гайку цанги.
5. Пригвинтіть насадку на її початкове положення.

ЗАТИСКАЧ DREMEL 4486 (4300)

Затискач Dremel дає змогу швидко й легко змінювати приладдя на інструментах Dremel, не змінюючи цанги. Підходить для приладдя з розміром хвостовика 0,8–3,2 мм.

Щоби послабити ступінь затягування, натисніть кнопку блокування валу та обертайте вал рукою, доки він не зчепиться зі своїм фіксатором. **Не натискайте на фіксатор валу під час роботи інструмента.** Після блокування валу, за допомогою гайкового ключа або насадки EZ Twist послабте затискач та відкриті затискні кулачки.

Вийміть приладдя із затискача. За необхідності послабте затискач, щоб умістити нове приладдя між затискними кулачками. Вставте нове приладдя в затискач у такий спосіб, щоби між краєм затискача та початком робочої частини приладдя залишилося приблизно 6 мм. Заблокувавши вал, затягніть затискач за допомогою насадки EZ Twist або гайкового ключа, щоби надійно зафіксувати приладдя.

КОРИСНІ ПОРАДИ ЩОДО ВИКОРИСТАННЯ ЗАТИСКАЧА DREMEL

- Затискач Dremel і цанга із затискною гайкою для цього інструменту є взаємозамінними. Затискач дозволяє швидко змінювати приладдя, але цанга із затискною гайкою забезпечує точніші налаштування кріплення приладдя, особливо за наявності суттєвого бічного звантаження.
- Якщо приладдя висковзує із затискача, скористуйтеся насадкою EZ Twist, яка входить у комплект постачання, або гайковим ключем, щоби трохи затягнути затискач. Якщо приладдя все одно висковзує, скористайтеся цангою із затискною гайкою.
- Існує ймовірність зміщення затискних елементів, що може призвести до порушення точності та розчехлення приладдя (це стає причиною передчасного зносу).

Щоби відновити справність кулачків, потрібно виконати такі кроки:

1. Вийміть приладдя із затискача.
2. Очистіть патрон.
3. Натисніть кнопку блокування валу та затягніть затискач, поки кулачки не вийдуть за межі його зовнішньої поверхні приблизно на 3 мм.
4. Міцно притисніть край затискача до твердої поверхні, щоб упевнитися в тому, що кулачки розташувалися по осі.
5. Продовжуйте вручну стискати затискач до повного замикання кулачків.
6. Послабте затискач та вставте приладдя, утримуючи його в потрібному положенні.
7. Проверніть інструмент вручну та перевірте його на наявність ознак зносу. У разі виявлення явних ознак зносу повторіть процедуру.
8. **Не розблокуйте вал, затягніть затискач за допомогою насадки EZ Twist або гайкового ключа, щоби надійно зафіксувати приладдя.**
9. Увімкніть інструмент із мінімальною швидкістю

обертання та перевірте його на наявність ознак зносу. У разі виявлення явних ознак зносу перевірте правильність встановлення приладдя та повторіть процедуру.

БАЛАНСУВАННЯ ПРИЛАДДЯ

Для точної роботи дуже важливо, щоб усе приладдя було збалансоване (так само, як колеса автомобілю). Для балансування приладдя послабте гайку цанги і поверніть приладдя або цангу на 1/4 оберти. Ще раз затягніть гайку цанги і запустіть інструмент, що обертається.

Слід вміти визначати збалансованість приладдя за звуком. Продовжуйте коригування тим же чином для отримання кращого балансу.

ДОДАТКОВІ АКСЕСУАРИ

Щоби розширити функціональні можливості інструменту, його можна оснастити такими аксесуарами:

- Гнучким валом *) для виконання точної, дрібної роботи у важкодоступних місцях (225 — сторінки 5–6)
- Спеціальним захисним приладдям Comfort guard для захисту від пилу та іскор (550 — сторінка 7)
- Універсальним різальним комплектом Multipurpose для оптимального різання різних матеріалів (565/566 — сторінка 8)
- Комплектом Wall & floor grout removal для видалення цементного розчину між настінними та підлоговими плитками (568 — сторінка 9)
- Прямокутним приладдям Right angle для встановлення додаткового обладнання під прямим кутом під час роботи у важкодоступних місцях (575 — сторінка 10)
- Платформою для формування Shaping platform для полірування піском і шліфування під кутом 90 та 45 градусів (576 — сторінка 11)
- Креслярськими ручками Detailer's grip, які дають змогу ще краще контролювати інструмент (577 — сторінка 11)
- Заточувальним інструментом Lawn mower & garden tool sharpener для легкого та швидкого заточення під оптимальним кутом (675 — сторінка 12)
- Різакон з дисковим ножом Line & circle cutter для створення бездоганних отворів та виконання прямих прорізів (678 — сторінка 13)
- Механізмом EZ SpeedClc для швидкого встановлення та зняття приладдя EZ SpeedClc (сторінка 14)

**) Під час першого використання нового гнучкого вала, тримайте його у вертикальному положенні протягом двох хвилин, коли інструмент працює на високій швидкості.*

Увага! Не всі аксесуари, перелічені вище, входять до комплекту постачання.

ВИКОРИСТАННЯ

ПОЧАТКОВУ РОБОТУ

Перший крок у використанні універсального інструменту – навчитися відчувати його. Потримайте його в руках, щоб відчувати вагу і рівновагу. Відчуйте конусну форму корпусу. Цей конус дозволяє брати інструмент як олівець чи ручку.

ВАЖЛИВО! Спочатку потренуйтеся на металовідходах, щоб побачити роботу інструменту на великій швидкості. Майте на увазі, що універсальний інструмент буде найбільш ефективним разом з відповідним приладдям

та допоміжним обладнанням Dremel, виконуючи роботу для Вас. Не тисніть на інструмент під час роботи, якщо можливо. Замість цього, опустіть приладдя, що обертається, на робочу поверхню і дайте йому доторкнутися до точки, з якої Ви хочете почати. Зосередьтеся на спрямуванні приладдя протягом експлуатації, застосовуючи невеликий тиск зі свого боку. Дозвольте приладдю виконувати роботу. Зазвичай краще зробити серію проходів інструментом, ніж намагатися зробити все за один прохід. Обережний дотик забезпечує кращий контроль і знижує ймовірність помилок.

ТРИМАННЯ ІНСТРУМЕНТУ

Завжди тримайте інструмент подалі від обличчя. Приладдя може пошкоджуватися в процесі роботи і може відлітати на великій швидкості.

Тримайте інструмент, не закривайте вентиляційні отвори рукою. Блокування вентиляційних отворів може привести до перегріву двигуна.

Для кращого контролю при роботі тримайте універсальний інструмент як олівець між великим та вказівним пальцями. ①

Метод тримання як у гольфі використовується для важких операцій, таких як шліфування або різання. ②

УВІМК./ВИМК.

Інструмент ВМІКАЄТЬСЯ перемикачем, розташованим зверху корпусу.

ЩОБ УВІМКНУТИ ІНСТРУМЕНТ, посуňte кнопку перемикача уперед.

ЩОБ ВИМКНУТИ ІНСТРУМЕНТ, посуňte кнопку перемикача назад.

ЕЛЕКТРОННИЙ ЗВОРОТНИЙ ЗВ'ЯЗОК (4000/4300)

Інструмент обладнано внутрішньою системою електронного зворотного зв'язку, яка забезпечує «М'який запуск», знижуючи навантаження, спричинене запуском із використання високого крутного моменту. Ця система також допомагає зберігати заздалегідь обрану швидкість, утримуючи її фактично незмінною під навантаженням або без нього.

ПЕРЕМИКАЧ ЗМІННОЇ ШВИДКОСТІ (3000)

Інструмент оснащений поззунковим перемикачем швидкості. Швидкість може регулюватися в процесі експлуатації за рахунок руху перемикача назад і вперед між будь-якими з параметрів.

Щоб вибрати правильну швидкість для кожного завдання, потренуйтеся на частині матеріалу.

РЕГУЛЯТОР ЗМІННОЇ ШВИДКОСТІ (4000/4300)

Інструмент обладнаний регулятором змінної швидкості. Щоби налаштувати швидкість під час роботи інструменту, встановіть регулятор у бажане положення.

Щоб вибрати правильну швидкість для кожного завдання, потренуйтеся на частині матеріалу.

ШВИДКІСТЬ РОБОТИ ⑮

Таблиця, наведена на сторінках 15–16, допоможе вам обрати оптимальну швидкість для оброблюваного матеріалу та потрібне приладдя.

Під час використання дротової щітки не перевищуйте швидкість 15 000 об/хв.

Регулювання дротяної щітки (4300) = 5–10

Більшість завдань може бути виконана інструментом з використанням максимальних налаштувань. Проте, деякі матеріали (деякі пластмаси та метали) можуть бути пошкоджені під впливом тепла, яке утворюється на високих швидкостях, і з ними слід працювати на відносно низьких швидкостях. Робота на низькій

швидкості (15 000 об/хв. або менше) зазвичай краще підходить для операцій з полірування за допомогою повстяного приладдя. Усе щіткове приладдя вимагає низьких швидкостей, щоб уникнути випадіння дротів зі щітки. Якщо налаштувати низьку швидкість, інструмент може виконувати роботу найкращим чином. Вища швидкість краща для твердої деревини, металів, скла, а також для буріння, різьблення, різання, маршрутизації та формування.

Деякі принципи, що стосуються швидкості інструменту:

- Пластмасу та інші матеріали, які плавляться при низьких температурах, слід нарізати на низьких швидкостях.
- Щоб уникнути пошкодження щітки та матеріалу, полірування, пом'якшення та чищення дротою щіткою слід виконувати на швидкості не більшій за 15 000 об/хв.
- Деревину слід різати на високій швидкості.
- Залізо або сталь слід різати на високій швидкості.
- Якщо ніж починає вібрувати при підвищенні швидкості, це зазвичай означає, що він працює дуже повільно.
- Алюмінієві, мідні сплави, сплави свинцю, цинку та олова можна різати з різною швидкістю в залежності від типу різання, що виконується. Використовуйте парафін (без води) або інші відповідні мастила на різачку для запобігання прилипання матеріалу до зубів різачка.

Увага! Збільшення тиску на інструмент не вихід, якщо він функціонує не належним чином. Спробуйте застосувати інше приладдя або налаштування швидкості для досягнення бажаного результату.

ОБСЛУГОВУВАННЯ І ОЧИЩЕННЯ

У ЦЬОМУ ПРИСТРОЙ НІМАЄ ДЕТАЛЕЙ, ЯКІ КОРИСТУВАЧ МОЖЕ ОБСЛУГОВУВАТИ САМОСТІЙНО (ви можете лише перевірити та міняти графітові щітки (3000/4300)). ПРОФІЛАКТИЧНЕ ОБСЛУГОВУВАННЯ, ЩО ЗДІЙСНЮЄТЬСЯ НЕАВТОРИЗОВАНИМ ПЕРСОНАЛОМ, МОЖЕ СПРИЧИНИТИ НЕПРАВИЛЬНЕ ПІД'ЄДНАННЯ ВНУТРІШНЬОЇ ПРОВОДИ І СКЛАДОВИХ, ЩО МОЖЕ ПРИЗВЕСТИ ДО СЕРЬОЗНОЇ НЕБЕЗПЕКИ.

ПЕРЕВІРКА/ЗАМІНА ГРАФІТОВИХ ЩІТОК (3000/4300) 14

Перевіряйте ступінь зносу щітки після кожних 40–50 годин експлуатації.

Також щітки слід оглядати, коли інструмент працює нестабільно, із недостатньою потужністю або за наявності незвичайного шуму.

Використання інструменту зі зношеними щітками може спричинити пошкодження двигуна.

Використовуйте тільки оригінальні запасні щітки Dremel.

1. Відключіть інструмент від мережі та покладіть його на чисту поверхню.
2. Зніміть дві кришки щіток з інструменту за допомогою ключа, застосувавши його як викрутку.
3. Зніміть дві щітки з інструменту, потягнувши встановлені пружини.
4. Огляньте обидві щітки. Якщо довжина щітки менше 3 мм та/або її поверхня стала нерівною чи має западинки, замініть графітову щітку новою:
 - зніміть пружину зі щітки,
 - викиньте стару щітку та встановіть пружину на нову.
5. Встановіть графітову щітку та пружину на місце (щітку можна встановити тільки в одному положенні).

6. Для заміни ковпачків щіток поверніть їх за годинниковою стрілкою (щоб затягнути їх, застосуйте гайковий ключ, **але не затягуйте надто сильно**).

Увага! Якщо одна щітка зношена, щоб забезпечити оптимальну продуктивність інструменту, потрібно замінити обидві щітки.

Інструмент найефективніше можна очистити стиснутим сухим повітрям. **Завжди надягайте захисні окуляри під час очищення інструментів стисненим повітрям.**

ЩОБ УНИКНУТИ НЕЩАСНИХ ВИПАДКІВ, ПЕРЕД ОЧИЩЕННЯМ ІНСТРУМЕНТА ЗАВЖДИ ВІД'ЄДНУЙТЕ ЙОГО І/АБО ЗАРЯДНИЙ ПРИСТРІЙ ВІД ДЖЕРЕЛА ЖИВЛЕННЯ

Вентиляційні отвори й важелі перемикачів мають бути чисті та вільні від сторонніх предметів. Не намагайтесь очищати інструмент, вставляючи гострі предмети в отвори на корпусі.

ПЕВНІ ЗАСОБИ ДЛЯ ЧИЩЕННЯ ТА РОЗЧИННИКИ ПОШКОДЖУЮТЬ ПЛАСТМАСОВІ ДЕТАЛІ. До них належать, зокрема: бензин, тетрагліцерид карбону, хлоровані очисні розчинники, аміак і побутові очисні засоби з аміаком.

ОБСЛУГОВУВАННЯ ТА ГАРАНТІЯ

Рекомендуємо виконувати все технічне обслуговування інструмента в Сервісному центрі компанії Dremel. На цей виріб компанії Dremel надається гарантія відповідно до положень законодавчих документів та нормативних актів відповідної країни; гарантія не поширюється на пошкодження, що виникли внаслідок звичайного зношування, перенавантаження або неналежного використання.

У разі появи будь-яких скарг надішліть нерозібраний інструмент та/або зарядний пристрій і документ, що підтверджує факт їхнього придбання, своєму дилеру.

КОНТАКТНІ ДАНІ DREMEL

На сайті www.dremel.com можна знайти додаткову інформацію про асортимент продукції компанії Dremel, а також контакти служби підтримки та «гарячої лінії».

ШУМ ТА ВІБРАЦІЯ

3000

Рівень звукового тиску (стандартне відхилення 3 дБ), дБ(А)	77,1
Рівень звукової потужності (стандартне відхилення 3 дБ) дБ(А)	88,1
Вібрація (векторна сума в трьох вимірах), м/с ²	12,8
Вібрація, коеф. охолодження K, м/с ²	1,5

4000

Рівень звукового тиску (стандартне відхилення 3 дБ), дБ(А)	78,0
Рівень звукової потужності (стандартне відхилення 3 дБ) дБ(А)	89,0
Вібрація (векторна сума в трьох вимірах), м/с ²	11,4
Вібрація, коеф. охолодження K, м/с ²	1,5

4300

Рівень звукового тиску (стандартне відхилення 3 дБ), дБ(А)	74,4
Рівень звукової потужності (стандартне відхилення 3 дБ) дБ(А)	85,4
Вібрація (векторна сума в трьох вимірах), м/с ²	9,0
Вібрація, коеф. охолодження K, м/с ²	1,5

Увага! Задекларований загальний рівень вібрації вимірювався за стандартним методом проведення випробувань і може використовуватися для порівняння з іншим обладнанням. Він також може застосовуватися для виконання попередньої оцінки впливу.

Рівень вібрації під час нормальної експлуатації електроінструмента може відрізнятись від задекларованого загального показника в залежності від того, яким чином використовується це обладнання. Потрібно оцінити вірогідність вибуху у фактичних умовах експлуатації та визначити застережні заходи, щоб забезпечити відповідний особистий захист (враховуючи всі деталі технологічного циклу, наприклад, час, коли обладнання було вимкнено, коли воно працює без навантаження, а також час запуску).

УТИЛІЗАЦІЯ

Інструмент, приладдя та упаковку потрібно утилізувати згідно з чинними нормами щодо охорони довкілля.

ТІЛЬКИ ДЛЯ КРАЇН ЄС

Згідно з Директивою ЄС 2012/19/EU щодо утилізації електричного та електронного обладнання та її впровадженням в національне законодавство, електроінструмент, який не підлягає подальшому використанню, має зберігатись окремо від інших відходів та утилізуватися в екологічно безпечний спосіб.

Bosch Power Tools B.V.
Konijnenberg 60
4825 BD Breda
The Netherlands

